



US00D618847S

(12) **United States Design Patent**  
**Huang**

(10) **Patent No.:** **US D618,847 S**  
(45) **Date of Patent:** **\*\* Jun. 29, 2010**

(54) **LAMPSHADE OF A TABLE LAMP**  
(75) Inventor: **Huo-Tu Huang**, Taipei Hsien (TW)  
(73) Assignee: **Huangslite Industrial Co., Ltd.**, Taipei Hsien (TW)

D494,302 S \* 8/2004 Huang ..... D26/87  
D522,157 S \* 5/2006 Schnell ..... D26/60  
D551,385 S \* 9/2007 Huang ..... D26/118  
D563,583 S \* 3/2008 Iai et al. .... D26/65  
D566,872 S \* 4/2008 Michel ..... D26/62  
D570,033 S \* 5/2008 Huang ..... D26/118

(\*\*) Term: **14 Years**

\* cited by examiner

(21) Appl. No.: **29/347,095**

*Primary Examiner*—Cathron C Brooks  
*Assistant Examiner*—Kevin K Rudzinski

(22) Filed: **Sep. 21, 2009**

(57) **CLAIM**

(51) **LOC (9) Cl.** ..... **26-99**  
(52) **U.S. Cl.** ..... **D26/118**  
(58) **Field of Classification Search** ..... D26/109,  
D26/65, 141, 63, 123, 142, 118, 76, 85, 60,  
D26/61, 62, 64, 66, 72, 93, 103, 113, 119,  
D26/122, 124, 87, 128, 129, 138, 140, 145,  
D26/155, 74; D13/134; 362/511, 373, 606,  
362/607, 277, 282, 285, 287, 410  
See application file for complete search history.

The ornamental design for lampshade of a table lamp, as shown and described.

**DESCRIPTION**

(56) **References Cited**

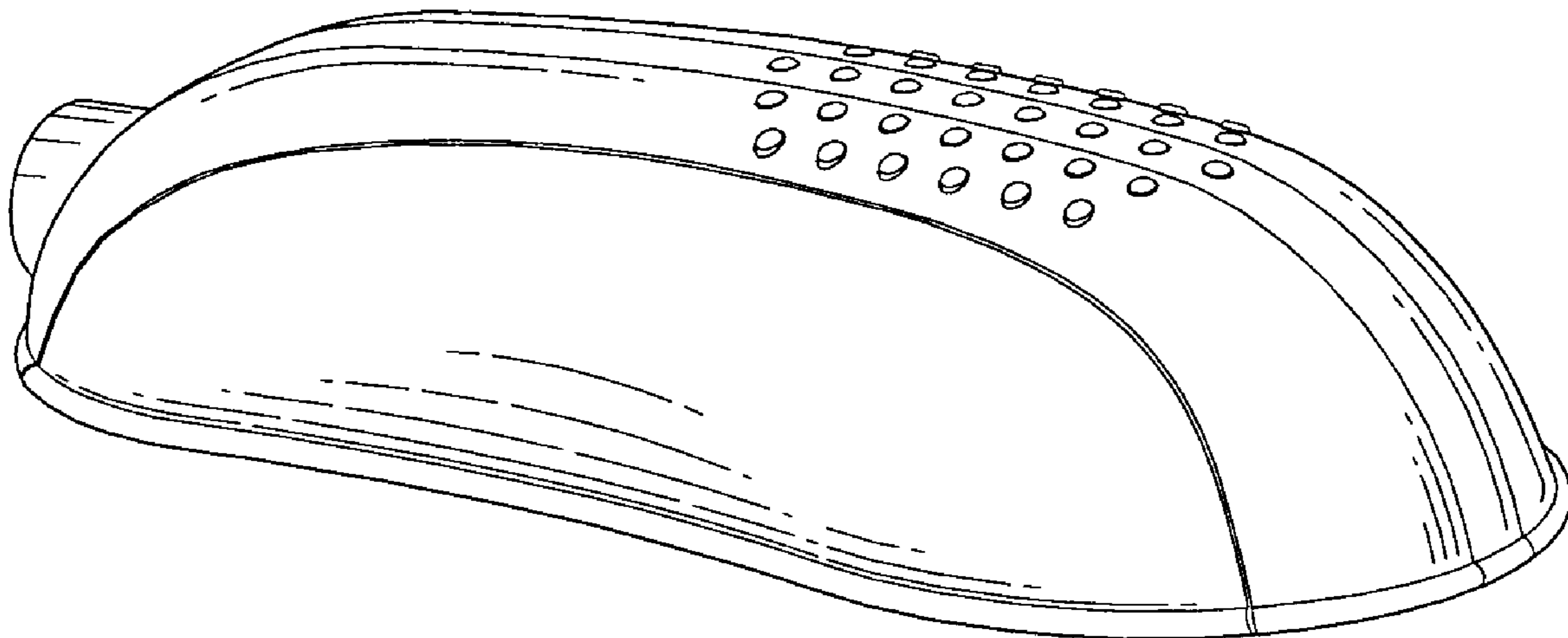
**U.S. PATENT DOCUMENTS**

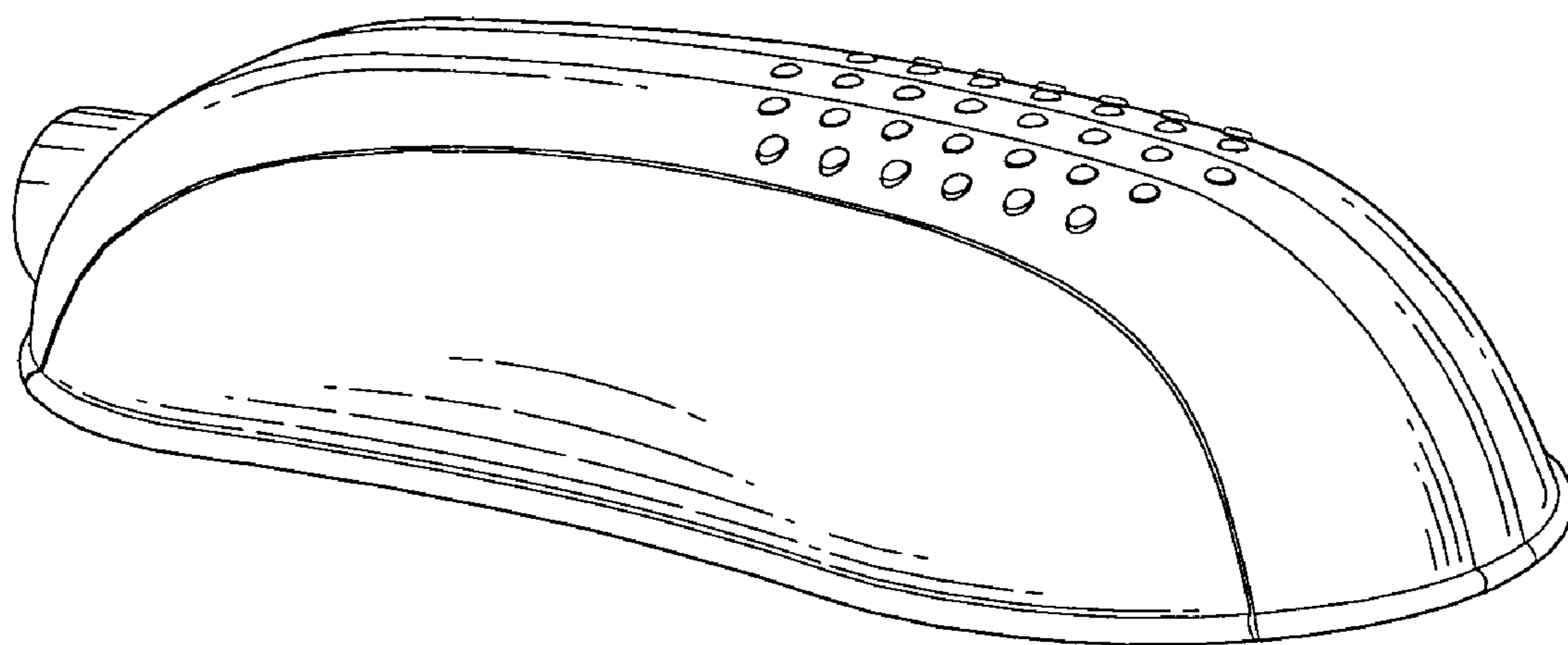
D308,730 S \* 6/1990 Nakagawa ..... D26/107  
D335,933 S \* 5/1993 Yang ..... D26/107  
D342,336 S \* 12/1993 Blet ..... D26/60  
D377,106 S \* 12/1996 Chan ..... D26/62  
D443,385 S \* 6/2001 Maruyama ..... D26/109  
D457,672 S \* 5/2002 Tsai ..... D26/62  
D475,480 S \* 6/2003 Huang ..... D26/118  
D492,811 S \* 7/2004 Huang ..... D26/118

FIG. 1 is a perspective view of lampshade of a table lamp showing my new design;  
FIG. 2 is a front elevational view thereof;  
FIG. 3 is a rear elevational view thereof;  
FIG. 4 is a left side elevational view thereof;  
FIG. 5 is a right side elevational view thereof;  
FIG. 6 is a top plan view thereof; and,  
FIG. 7 is a bottom plan view thereof.

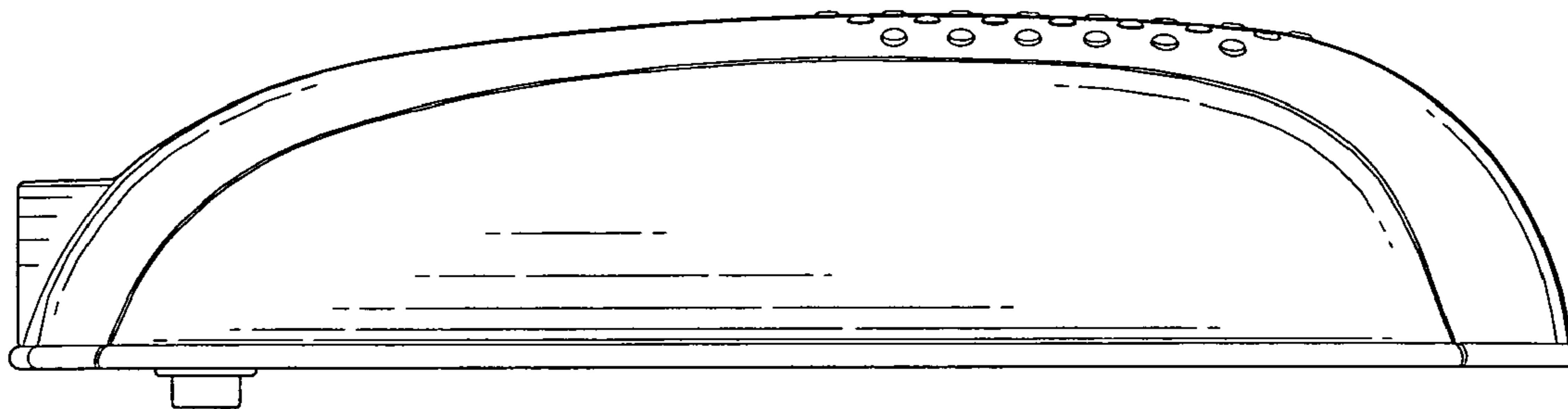
The broken lines shown are included for the purpose of illustrating environmental structure and form no part of the claimed design.

**1 Claim, 4 Drawing Sheets**

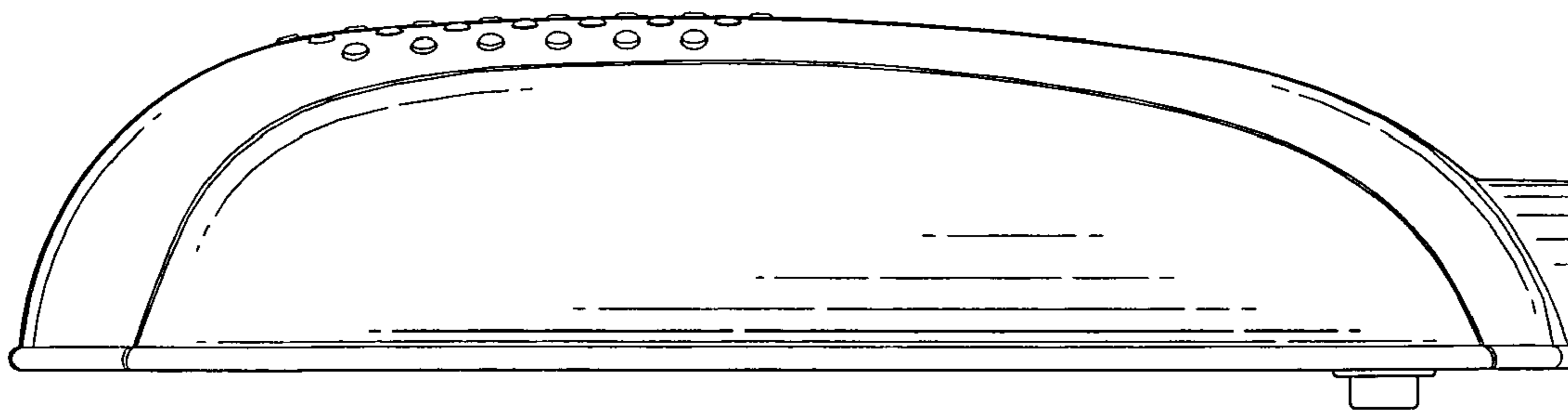




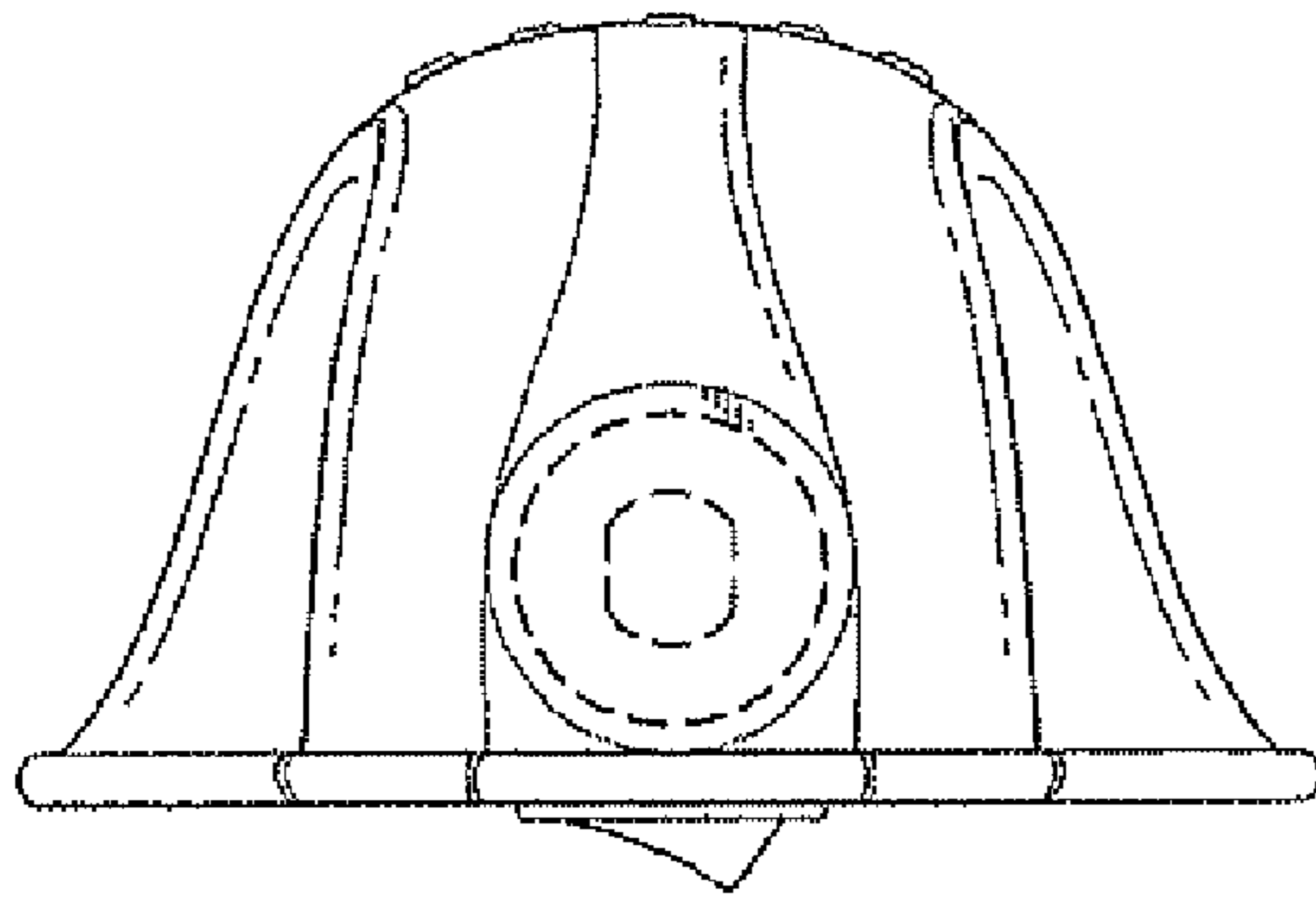
**FIG. 1**



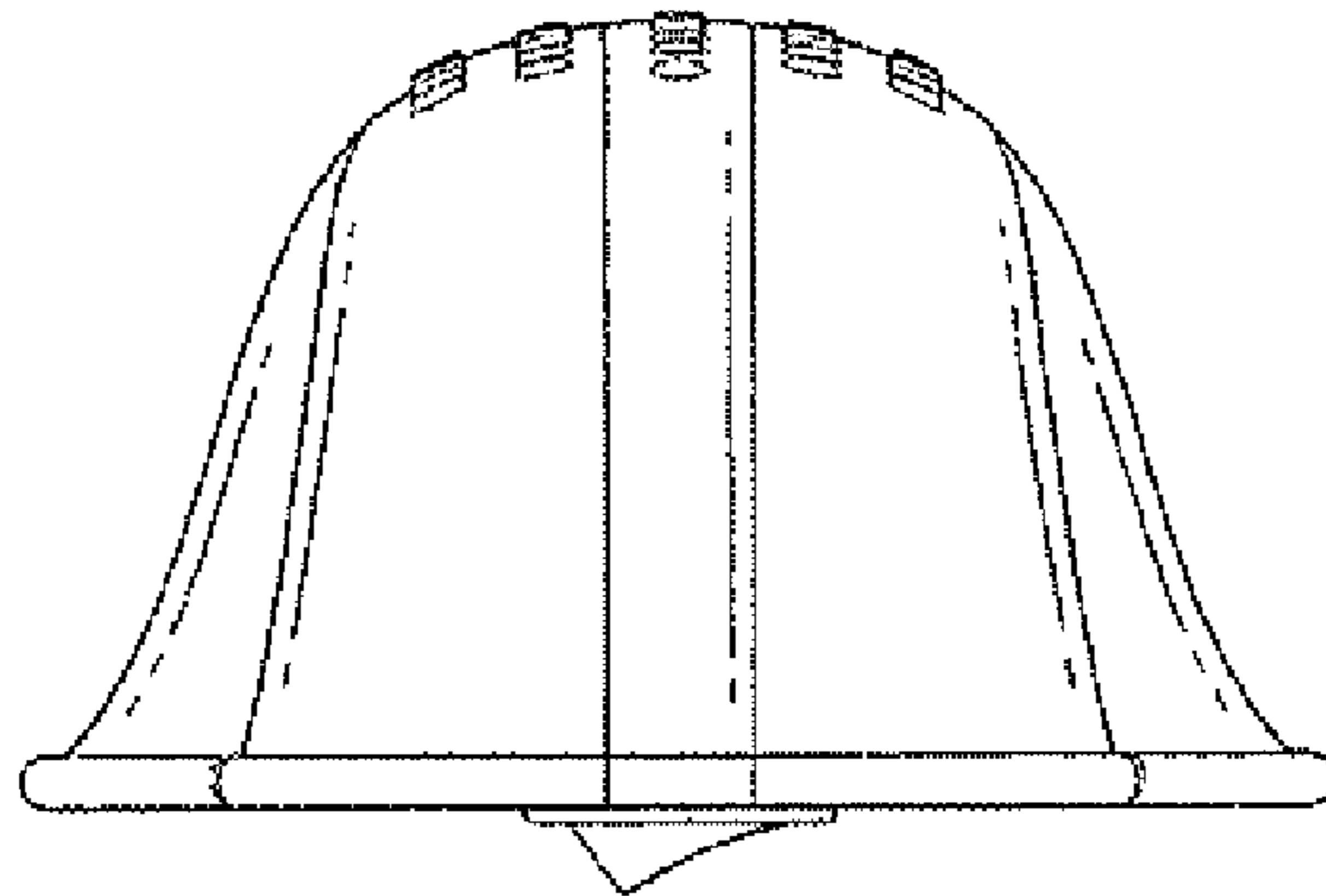
*FIG. 2*



*FIG. 3*



**FIG. 4**



**FIG. 5**

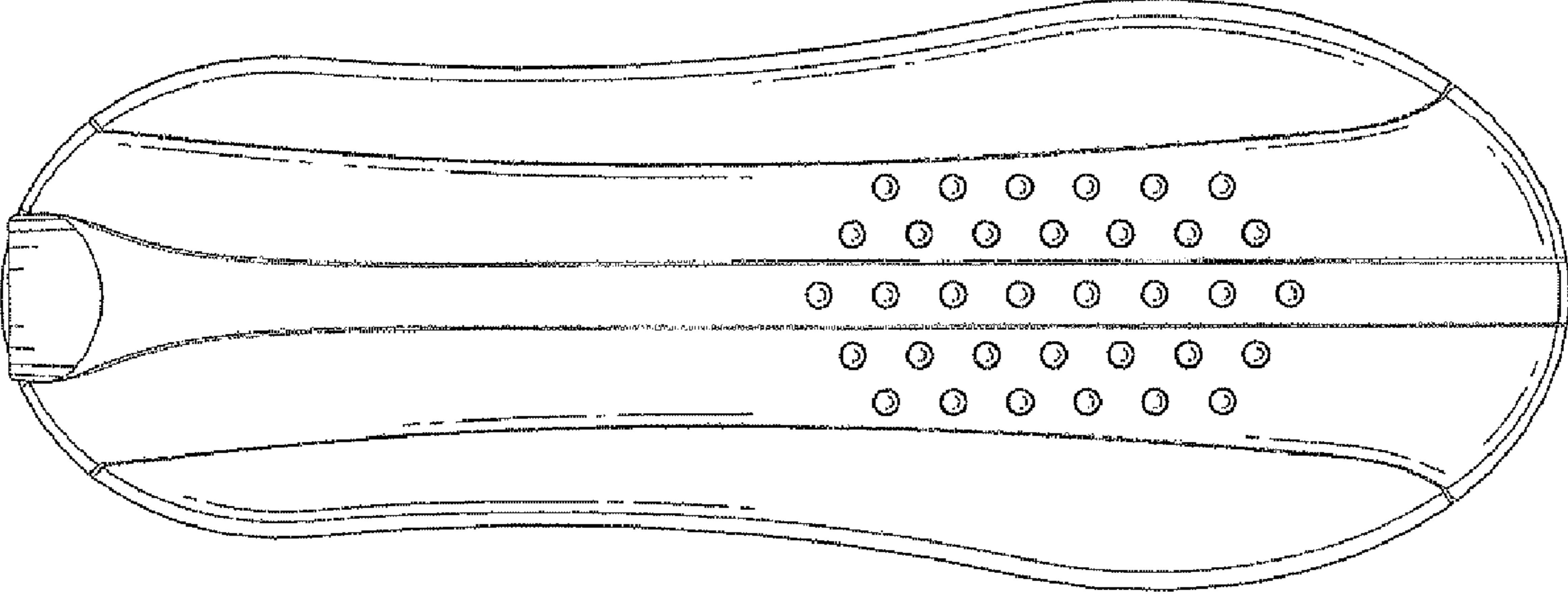


FIG. 6

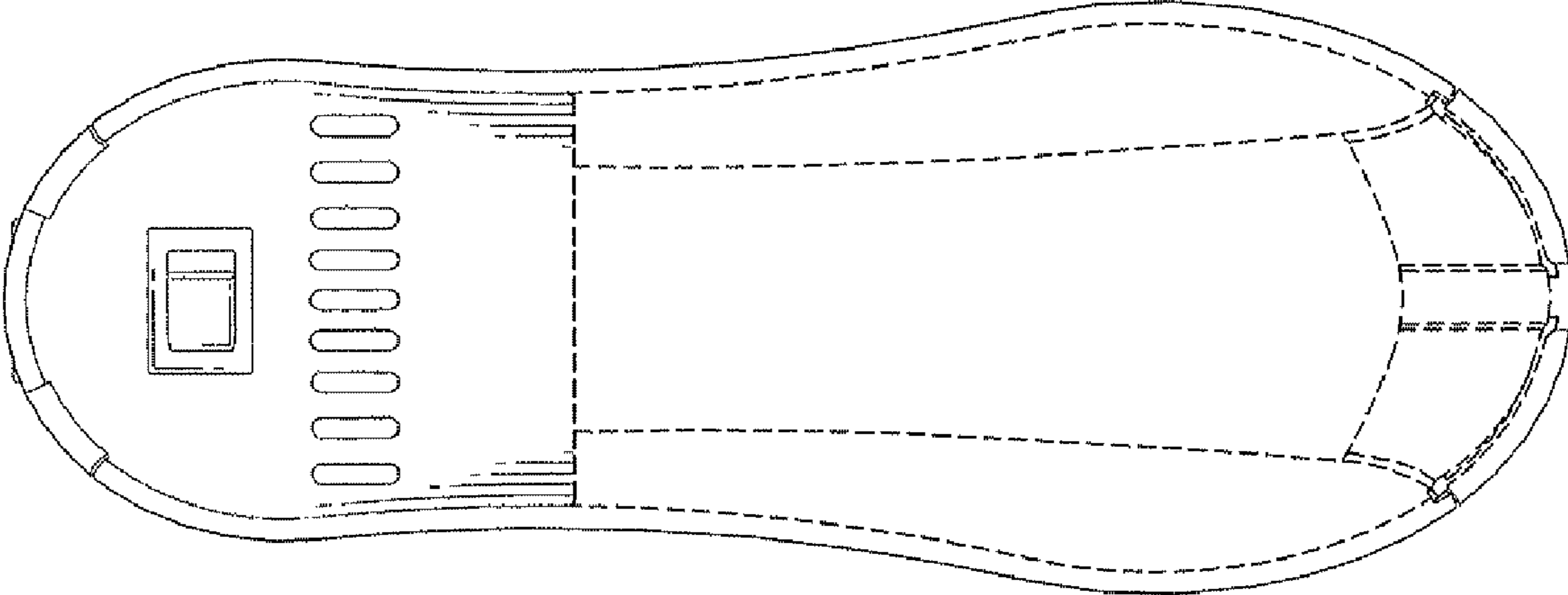


FIG. 7