



US00D618843S

(12) **United States Design Patent**  
**Sabernig**

(10) **Patent No.:** **US D618,843 S**  
(45) **Date of Patent:** **\*\* Jun. 29, 2010**

(54) **LIGHT FIXTURE**

- (75) Inventor: **Robert Sabernig**, Munster (AT)
- (73) Assignee: **EGLO Leuchten GmbH**, Innsbruck (AT)
- (\*\*) Term: **14 Years**
- (21) Appl. No.: **29/345,182**
- (22) Filed: **Oct. 12, 2009**

**Related U.S. Application Data**

- (63) Continuation-in-part of application No. 29/324,058, filed on Sep. 5, 2008, now abandoned.
- (51) **LOC (9) Cl.** ..... **26-03**
- (52) **U.S. Cl.** ..... **D26/88; D26/90**
- (58) **Field of Classification Search** ..... D26/80-91, D26/128-131; 362/147, 317, 351, 404-408  
See application file for complete search history.

(56) **References Cited**

**U.S. PATENT DOCUMENTS**

|              |         |                 |              |
|--------------|---------|-----------------|--------------|
| D97,997 S    | 12/1935 | Glatthar et al. |              |
| D134,482 S   | 12/1942 | Ganger          |              |
| D172,688 S   | 7/1954  | Ruskin          |              |
| D541,970 S   | 5/2007  | Blackma         |              |
| D549,385 S   | 8/2007  | Lissoni         |              |
| D558,386 S   | 12/2007 | Bickler et al.  |              |
| D565,779 S   | 4/2008  | Meise et al.    |              |
| D567,986 S   | 4/2008  | Meise et al.    |              |
| D567,987 S   | 4/2008  | Khubani         |              |
| D583,981 S   | 12/2008 | Meyer et al.    |              |
| D605,333 S * | 12/2009 | Miranda         | ..... D26/88 |
| D607,136 S * | 12/2009 | Chen            | ..... D26/81 |

**OTHER PUBLICATIONS**

“Study” wall sconce model #E22133-11 shown on p. 107 of the ET2 2007 Catalog © Jul. 2006.\*  
 “Vision” Two Light Pendant model #E22018-09 shown on p. 153 of the ET2 2007 Catalog © Jul. 2006.\*  
 2 Lite Pendant from the Elysburg Collection, model #6551/2 shown on p. 186 of the E.L.K. 2009 Catalog.\*  
 Access Lighting; Aero Series Pendant; Product No. 50944; printed from Modern Lighting Universe Catalog on Dec. 22, 2008.  
 Access Lighting; Oracle Cable Pendant; Product No. 50466; printed from Modern Lighting Universe Catalog on Dec. 22, 2008.  
 Zaneen Lighting; Rondo Pendant; Product No. D9-1008; printed from Modern Lighting Universe Catalog on Dec. 22, 2008.

\* cited by examiner

*Primary Examiner*—Clare E Heflin

(74) *Attorney, Agent, or Firm*—Baker & McKenzie LLP

(57) **CLAIM**

The ornamental design for a light fixture, as shown and described.

**DESCRIPTION**

FIG. 1 is a bottom perspective view of a light fixture in accordance with my design;

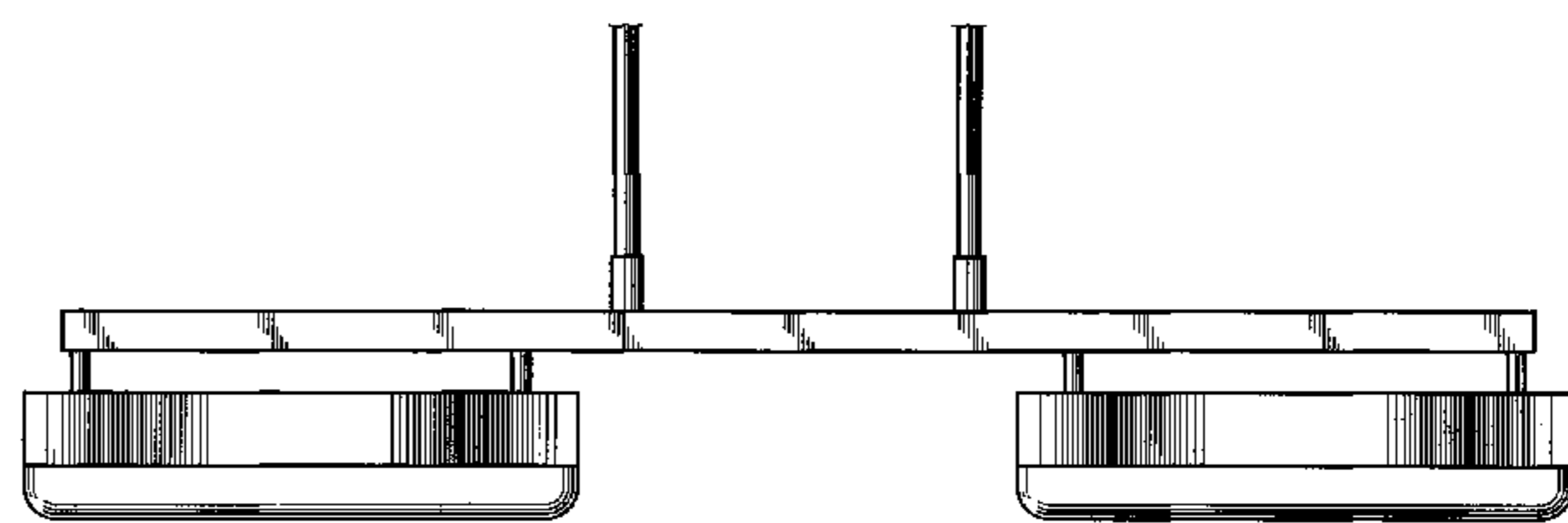
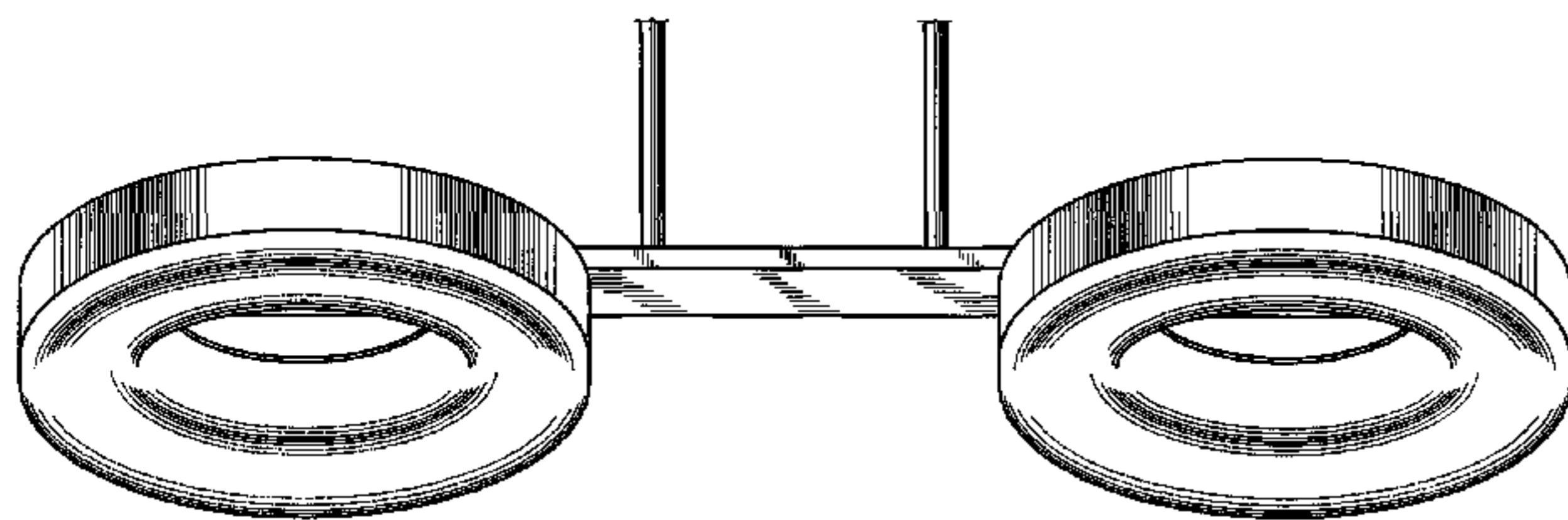
FIG. 2 is a bottom plan view of the light fixture in accordance with my design;

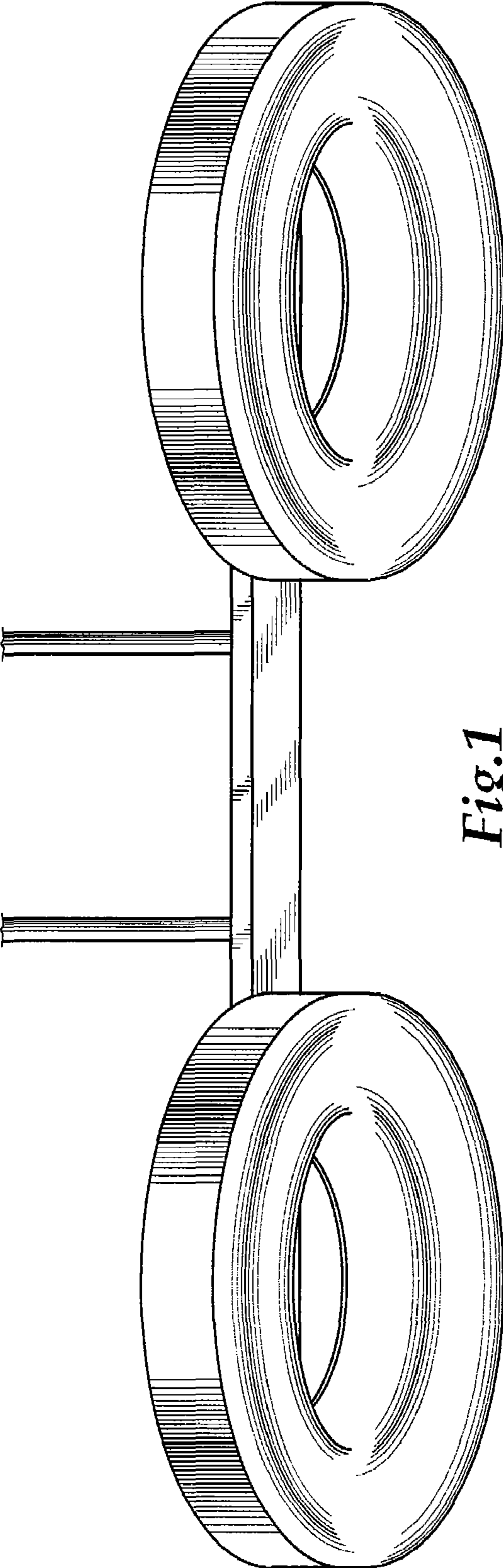
FIG. 3 is a front elevation view of the light fixture in accordance with my design, the opposite side being a mirror image of that shown;

FIG. 4 is a side elevation view of the light fixture in accordance with my design, the opposite side being a mirror image of that shown; and,

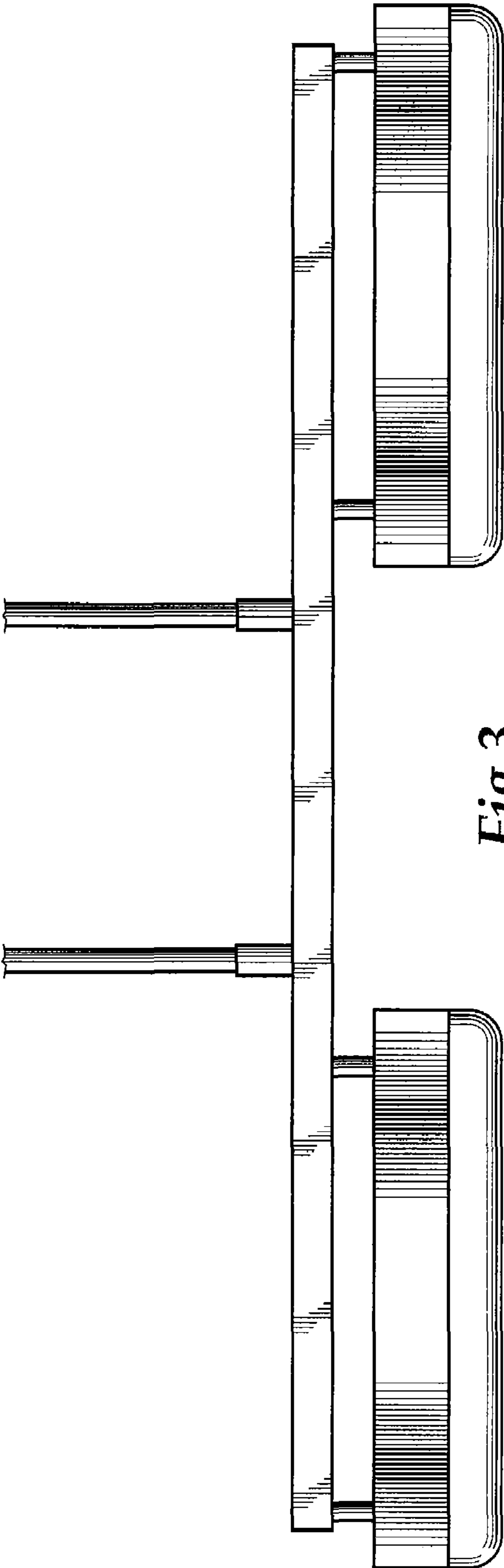
FIG. 5 is a top plan view of the light fixture in accordance with my design.

**1 Claim, 3 Drawing Sheets**

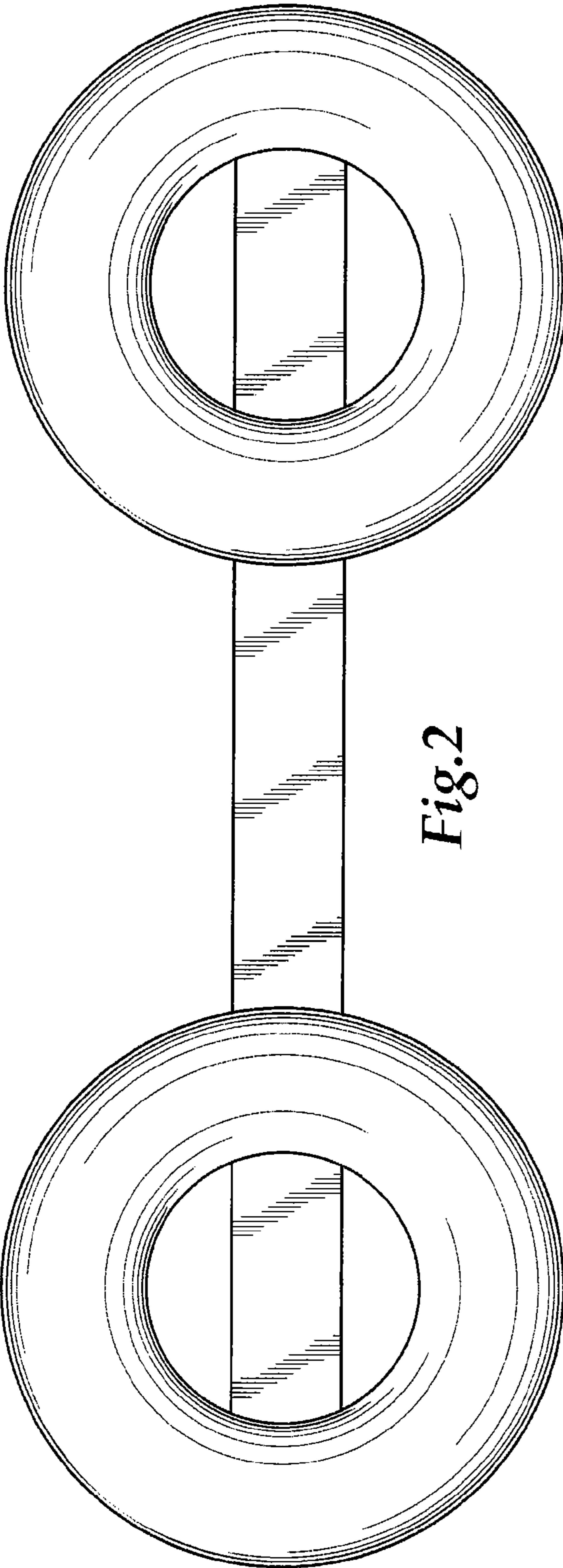




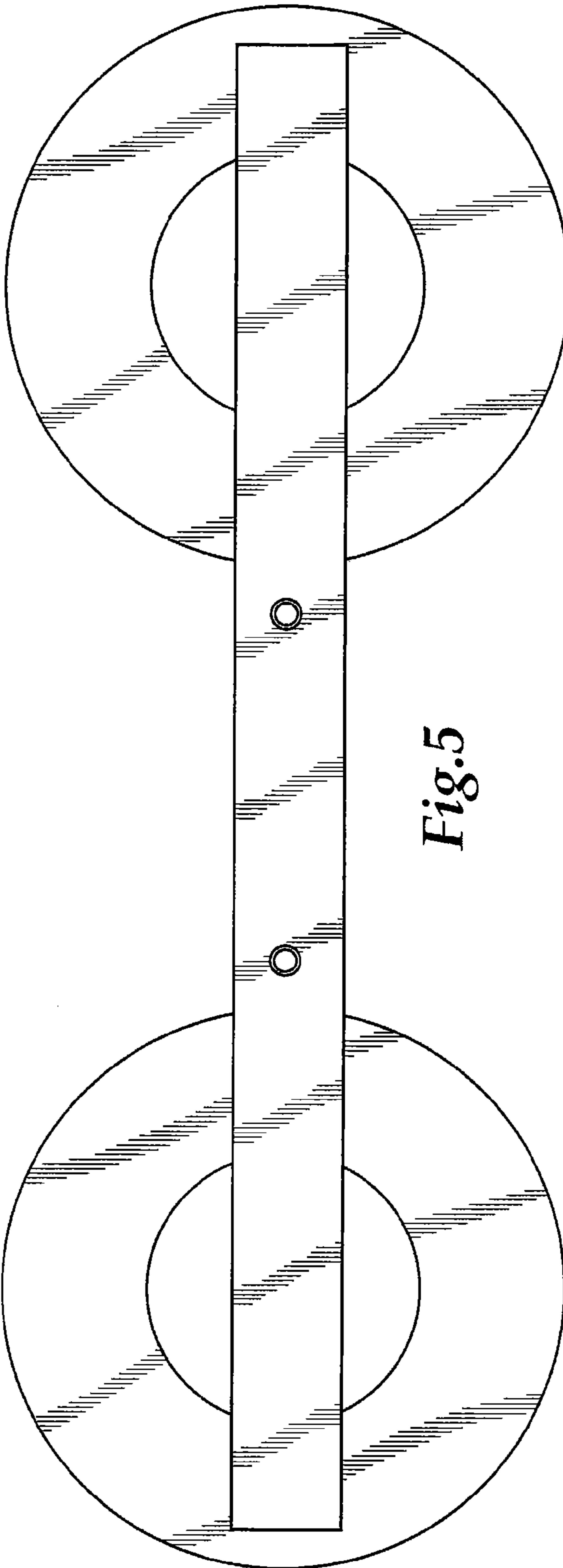
*Fig. 1*



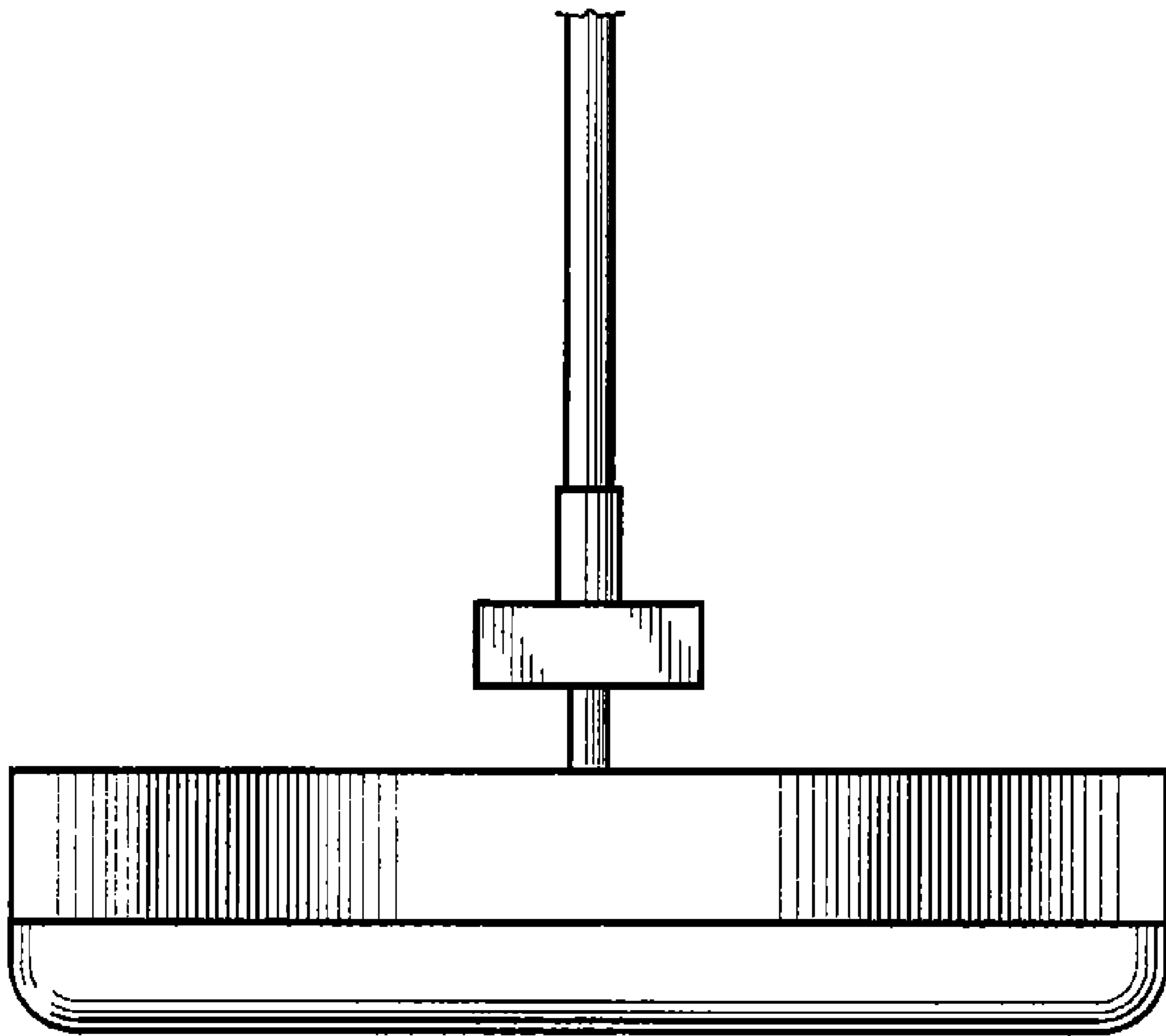
*Fig. 3*



*Fig. 2*



*Fig. 5*



*Fig. 4*