



US00D618842S

(12) **United States Design Patent**
Ngai et al.

(10) **Patent No.:** **US D618,842 S**
(45) **Date of Patent:** **** *Jun. 29, 2010**

(54) **OLED LIGHTING FIXTURE WITH SUSPENSION**

(75) Inventors: **Peter Y. Y. Ngai**, Alamo, CA (US);
Frank A. Friedman, Mill Valley, CA (US)

(73) Assignee: **ABL IP Holding, LLC**, Conyers, GA (US)

(*) Notice: This patent is subject to a terminal disclaimer.

(**) Term: **14 Years**

(21) Appl. No.: **29/343,244**

(22) Filed: **Sep. 9, 2009**

(51) **LOC (9) Cl.** **26-03**

(52) **U.S. Cl.** **D26/88; D26/120**

(58) **Field of Classification Search** D26/88,
D26/89, 118, 121, 122, 128, 131, 132, 135;
362/34, 84, 147, 404-408, 453-456

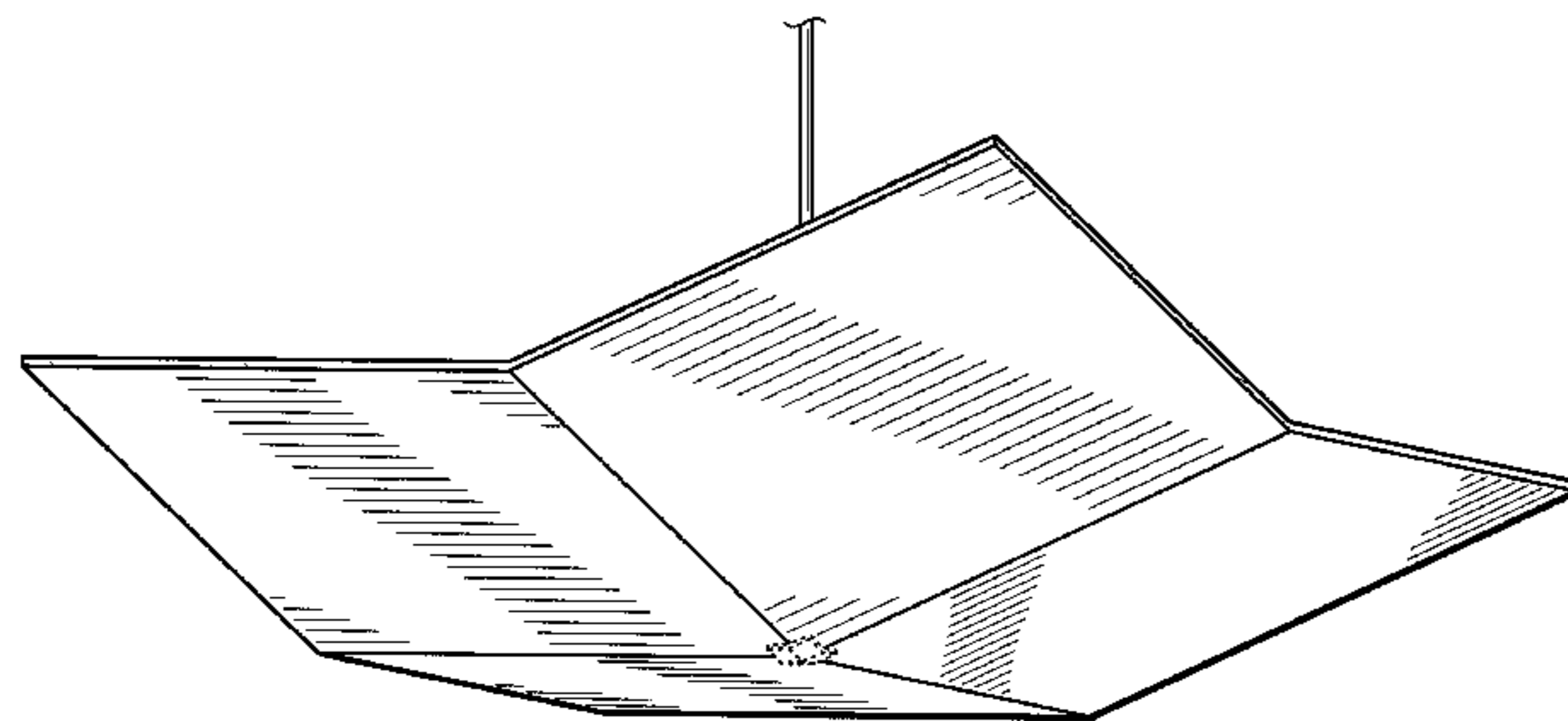
See application file for complete search history.

(56) **References Cited**

U.S. PATENT DOCUMENTS

D29,367 S *	9/1898	MacIntire	D26/88
D43,646 S *	2/1913	Ryan	D26/88
D53,152 S *	4/1919	Irwin	D26/135
D77,657 S *	2/1929	Stanyo	D26/131
D79,375 S *	9/1929	Lazerson	D26/88
D87,964 S *	10/1932	Howell	D26/88
D94,669 S *	2/1935	Drake	D20/99
D99,847 S *	6/1936	Abramson	D26/131
2,111,279 A *	3/1938	Cohen	362/255
D150,095 S *	6/1948	Novin	D26/131
D205,004 S *	6/1966	Puszka	D26/122
D251,630 S *	4/1979	Larson	D26/128
D274,068 S *	5/1984	Sverdlin	D26/138
D322,142 S *	12/1991	Gismondi	D26/88

(Continued)



OTHER PUBLICATIONS

WAC Lighting OLED prototype shown and described in Thomas Net News article of May 26, 2009. Downloaded from <http://news.thomasnet.com/companystory/827327>. (9 pages).*

(Continued)

Primary Examiner—Clare E Heflin

(74) *Attorney, Agent, or Firm*—Beeson Skinner Beverly

(57) **CLAIM**

The ornamental design for an OLED lighting fixture with suspension, as shown and described.

DESCRIPTION

FIG. 1 is a bottom perspective view of an OLED lighting fixture with suspension showing our new design;

FIG. 2 is a top perspective view thereof;

FIG. 3 is a front elevational view thereof; the rear elevation, and the left and right side elevations being identical thereto;

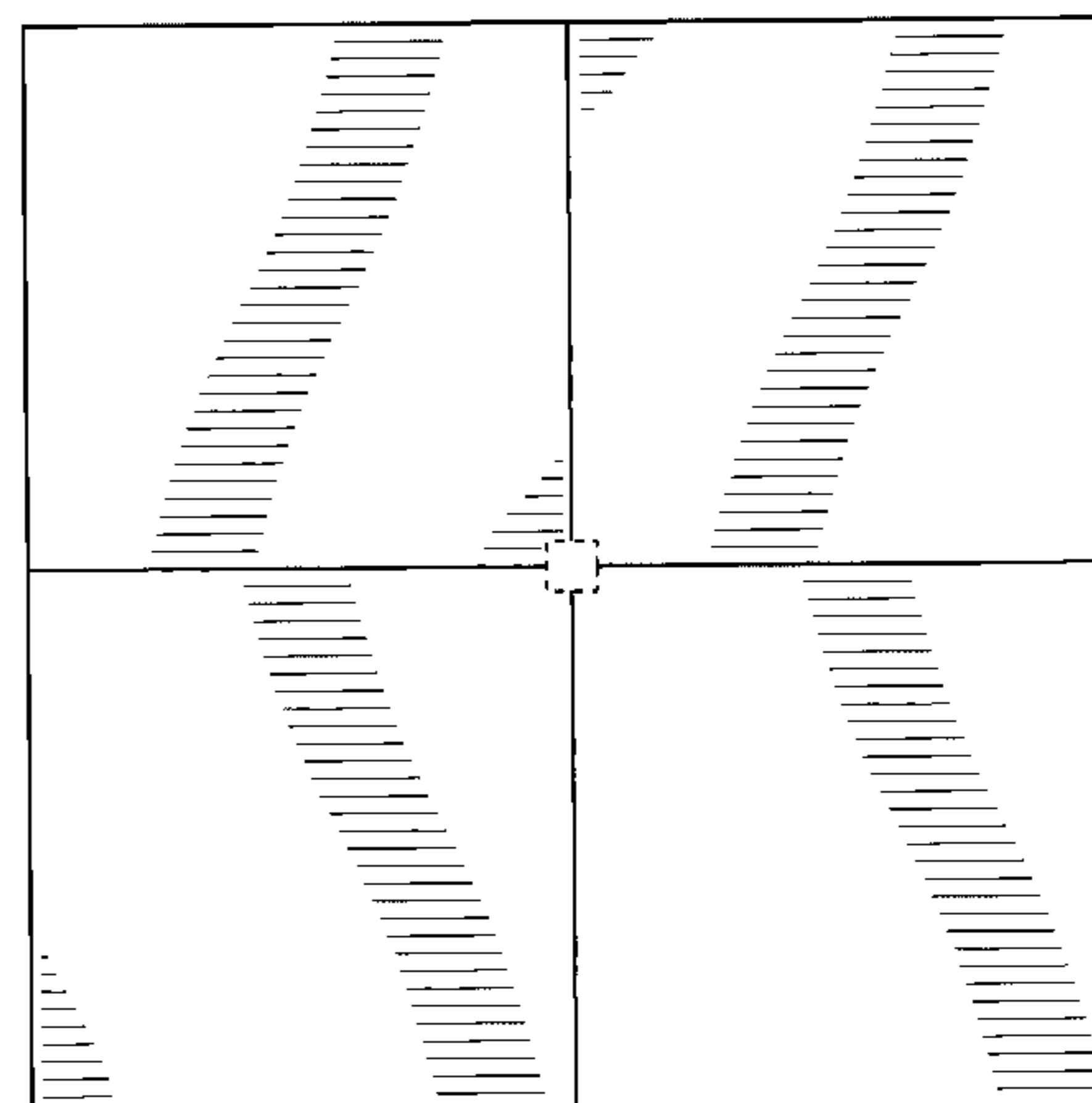
FIG. 4 is a rotated elevational view thereof; and,

FIG. 5 is a bottom plan view thereof.

“OLED” means Organic Light-Emitting Diode. The characteristic feature of the design resides in the overall shape of an OLED lighting fixture in combination with a suspension element. The suspension element could be a flexible cable or a rigid stem. The OLED lighting fixture can emit light from all or a portion of its bottom and/or top surfaces. The OLED lighting fixture can also be transparent, translucent or opaque; or different portions of the OLED lighting fixture can be transparent, translucent or opaque, while other portions have a different transparent, translucent or opaque characteristic.

The suspension element of the design is cut-away at the top to indicate indeterminate length. In FIGS. 1 and 3-5, the broken line showing of a suspension element attachment cap at the bottom of the OLED lighting fixture is provided for illustrative purposes only and forms no part of the claimed design.

1 Claim, 4 Drawing Sheets



US D618,842 S

Page 2

U.S. PATENT DOCUMENTS

D325,998 S * 5/1992 Shaw D26/131
D339,654 S * 9/1993 Chan D26/131
RE35,132 E * 12/1995 Bay et al. 362/34
5,557,869 A * 9/1996 Douglas 40/542
6,367,942 B1 * 4/2002 Bauer 362/34
D464,462 S * 10/2002 Shieh D26/132
D481,454 S * 10/2003 Young D23/411
D548,872 S * 8/2007 Dubbeldam et al. D26/85
D552,291 S * 10/2007 De'Armond D26/85
D563,589 S * 3/2008 Hariri et al. D26/88
D600,399 S * 9/2009 Sonobe D26/121

2008/0007936 A1* 1/2008 Liu et al. 362/84

OTHER PUBLICATIONS

George Kovacs Checked Glass 18" Wide Pendant Light—item#EUJ3589 from EuroStyleLighting.com. Downloaded Oct. 8, 2009.*

Eurofase Intertwining Vines Plate Glass Square Pendant—Item#EUH5078 from eurostylelighting.com on Oct. 8, 2009.*

All OLED Light fixtures shown in article "OLED—The Flexible, Power-efficient Future Of Lighting" in Ecofriend.org blog dated Jul. 30, 2008. (5 pages).*

Phillipe Collection 23½" Wide Pendant Light—Item#EU58143 from Eurostylelighting.com on Oct. 8, 2009. (2 pages).*

* cited by examiner

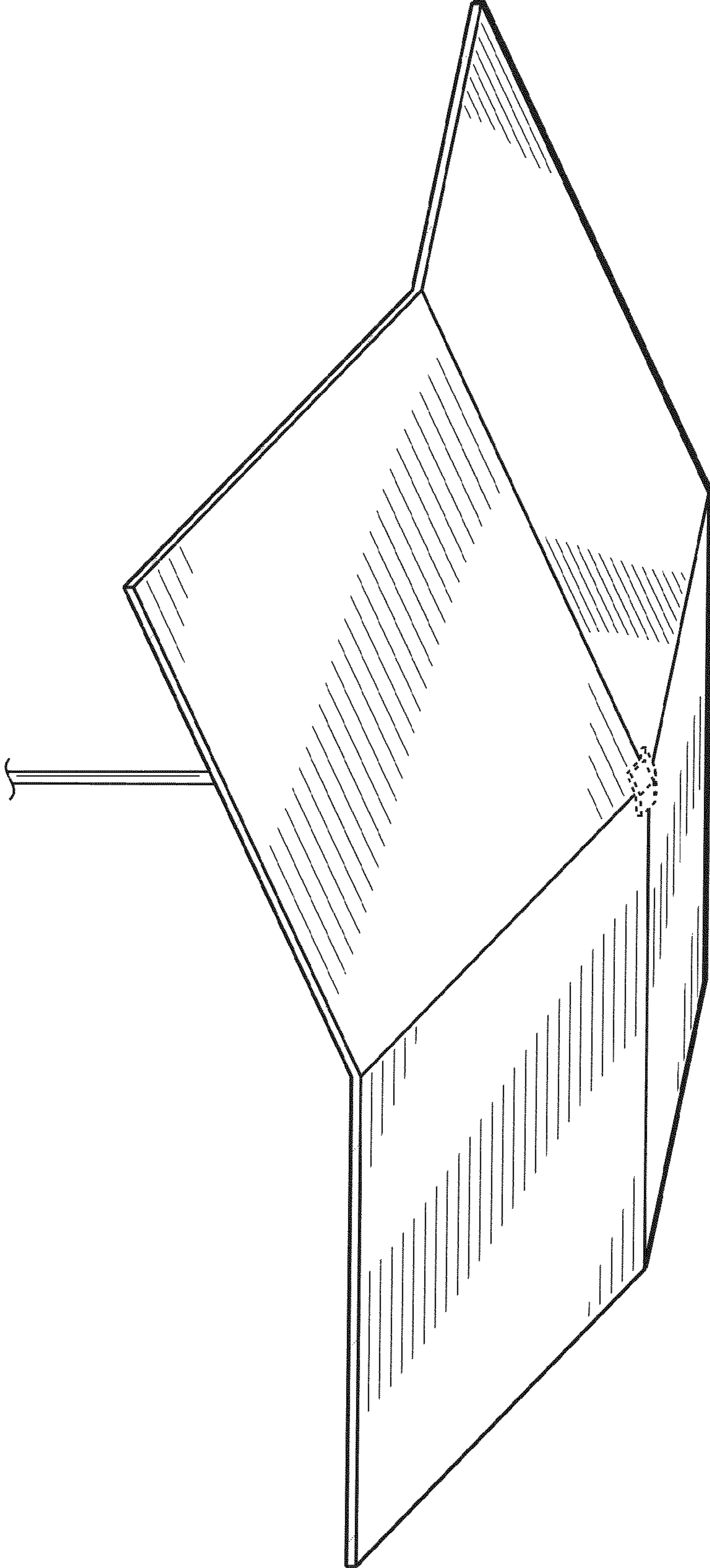


FIG. 1

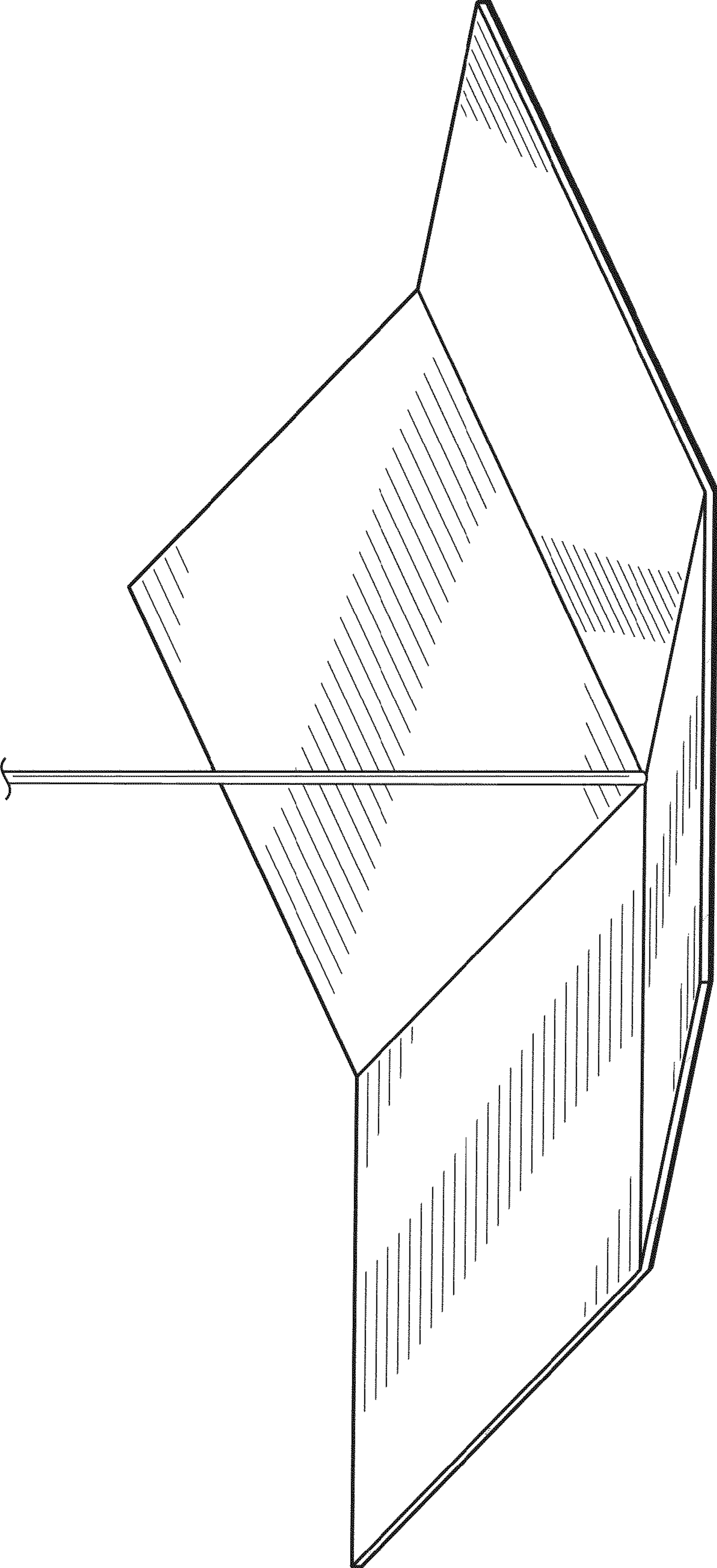


FIG. 2

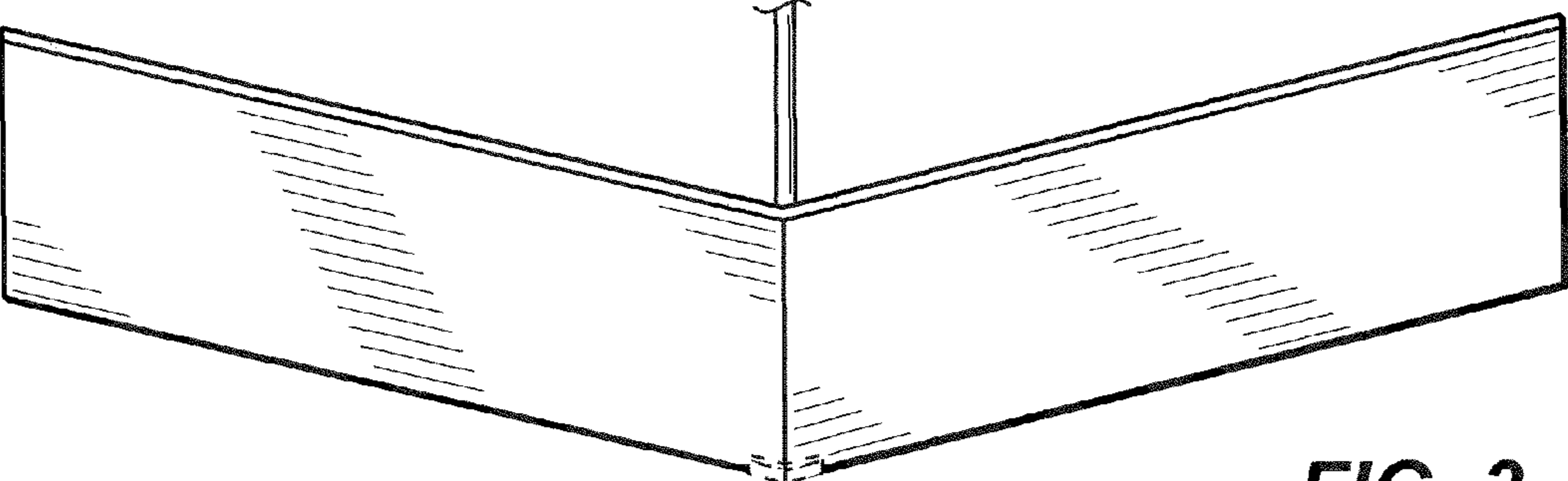


FIG. 3

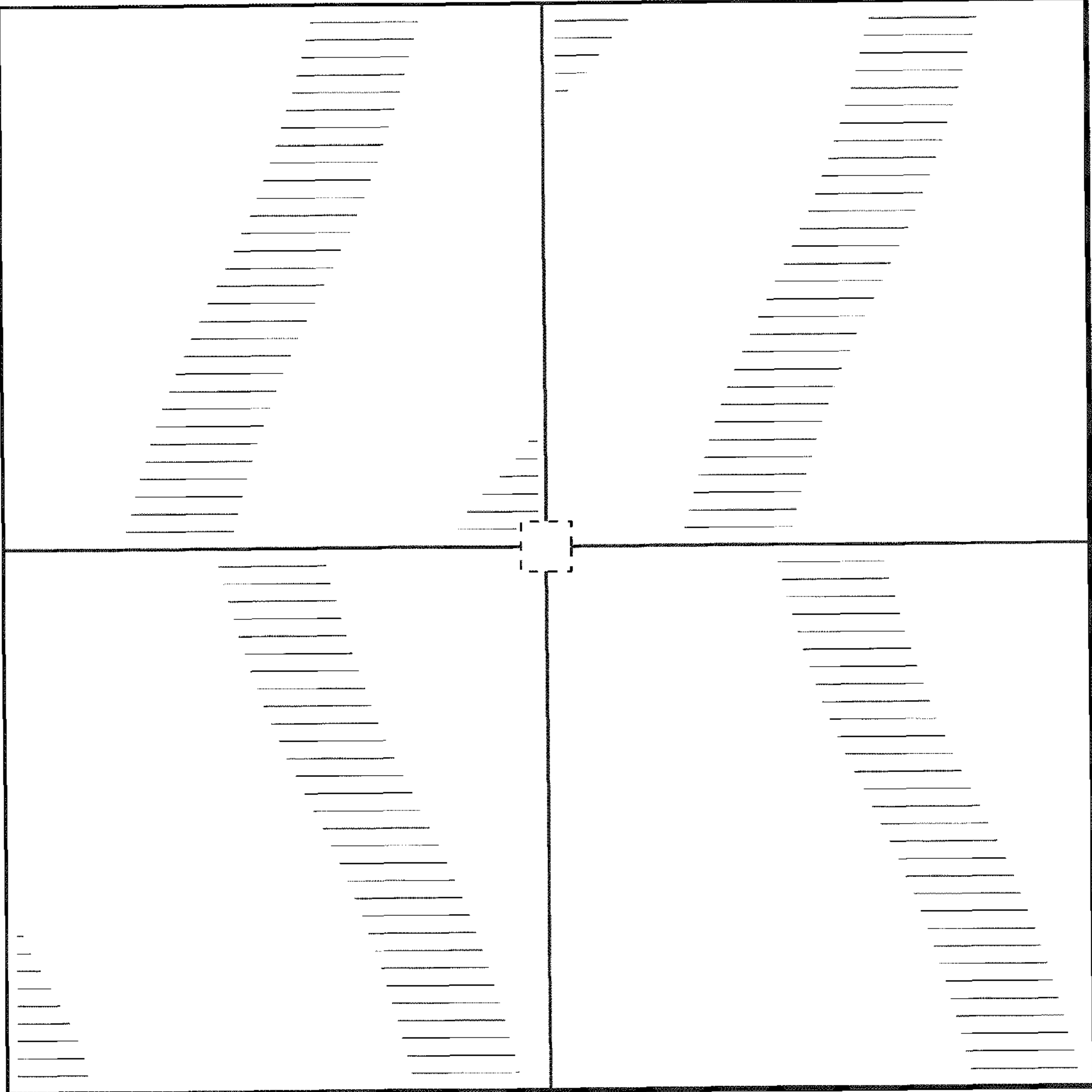


FIG. 5

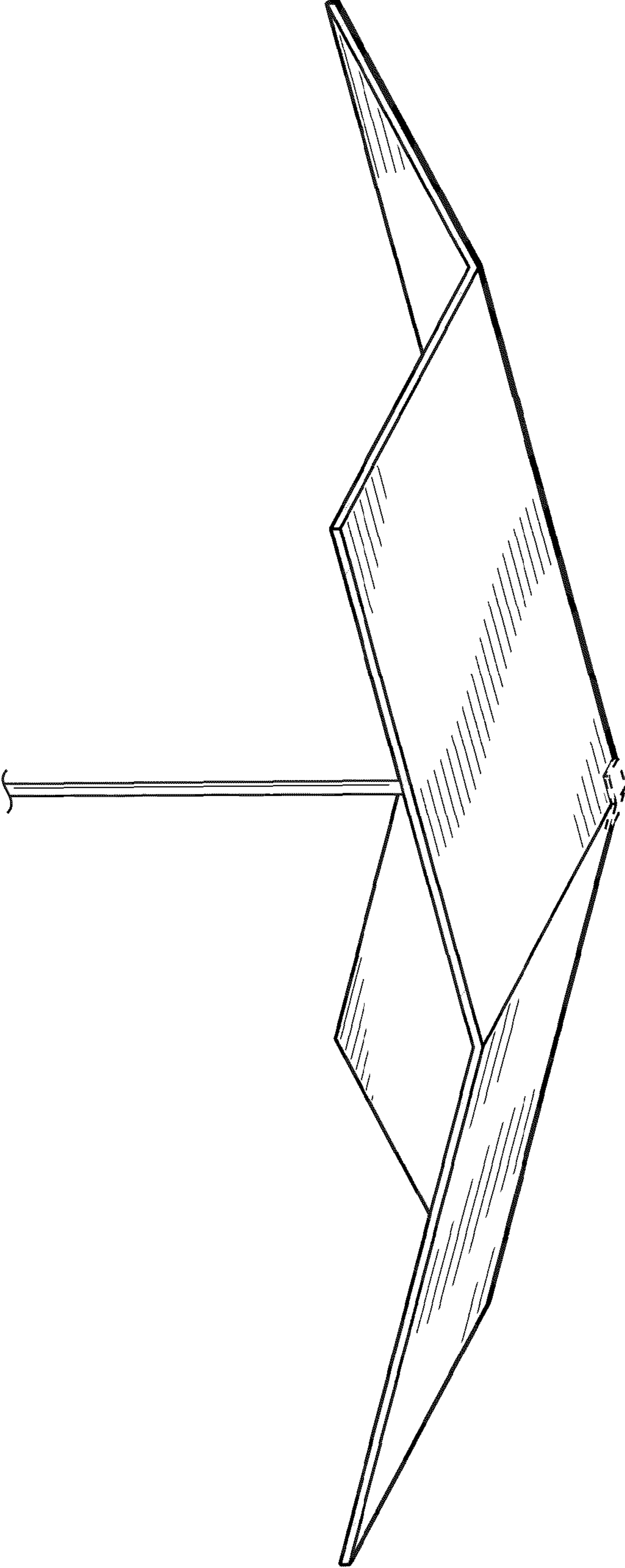


FIG. 4