



US00D618839S

(12) **United States Design Patent**
Ngai et al.

(10) **Patent No.:** **US D618,839 S**
(45) **Date of Patent:** **** *Jun. 29, 2010**

(54) **OLED LIGHTING FIXTURE**

(75) Inventors: **Peter Y. Y. Ngai**, Alamo, CA (US);
Frank A. Friedman, Mill Valley, CA
(US)

(73) Assignee: **ABL IP Holding, LLC**, Conyers, GA
(US)

(*) Notice: This patent is subject to a terminal disclaimer.

(**) Term: **14 Years**

(21) Appl. No.: **29/343,178**

(22) Filed: **Sep. 9, 2009**

(51) **LOC (9) Cl.** **26-03**

(52) **U.S. Cl.** **D26/88; D26/120**

(58) **Field of Classification Search** D26/88,
D26/89, 118, 121, 122, 128, 131, 132, 135;
362/34, 84, 147, 404-408, 453-456
See application file for complete search history.

(56) **References Cited**

U.S. PATENT DOCUMENTS

D29,367 S *	9/1898	MacIntire	D26/88
D43,646 S *	2/1913	Ryan	D26/88
D53,152 S *	4/1919	Irwin	D26/135
D77,657 S *	2/1929	Stanyo	D26/131
D79,375 S *	9/1929	Lazerson	D26/88
D87,964 S *	10/1932	Howell	D26/88
D94,669 S *	2/1935	Drake	D20/99
D99,847 S *	6/1936	Abramson	D26/131
2,111,279 A *	3/1938	Cohen	362/255
D150,095 S *	6/1948	Novin	D26/131
D205,004 S *	6/1966	Puszka	D26/122
D251,630 S *	4/1979	Larson	D26/128
D274,068 S *	5/1984	Sverdlin	D26/138
D322,142 S *	12/1991	Gismondi	D26/88
D325,998 S *	5/1992	Shaw	D26/131

D339,654 S *	9/1993	Chan	D26/131
RE35,132 E *	12/1995	Bay et al.	362/34
5,557,869 A *	9/1996	Douglas	40/542
6,367,942 B1 *	4/2002	Bauer	362/34
D464,462 S *	10/2002	Shieh	D26/132

(Continued)

OTHER PUBLICATIONS

WAC Lighting OLED prototype shown and described in Thomas Net News article of May 26, 2009. Downloaded from <http://news.thomasnet.com/companystory/827327>. (9 pages).*

(Continued)

Primary Examiner—Clare E Heflin

(74) Attorney, Agent, or Firm—Beeson Skinner Beverly

(57) **CLAIM**

The ornamental design for an OLED lighting fixture, as shown and described.

DESCRIPTION

FIG. 1 is a bottom perspective view of an OLED lighting fixture showing our new design;

FIG. 2 is a top perspective view thereof;

FIG. 3 is a front elevational view thereof; the rear elevation, and the left and right side elevations being identical thereto;

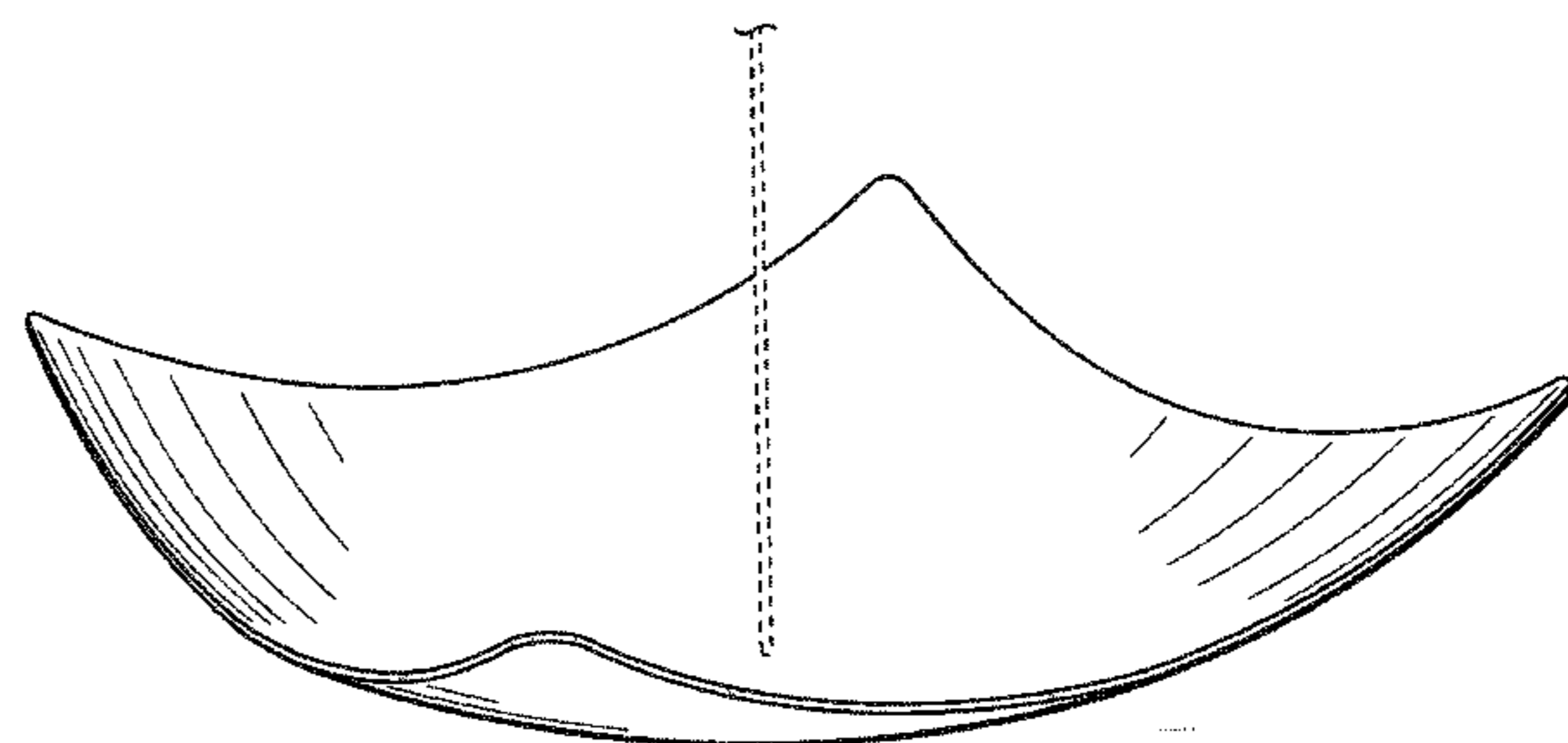
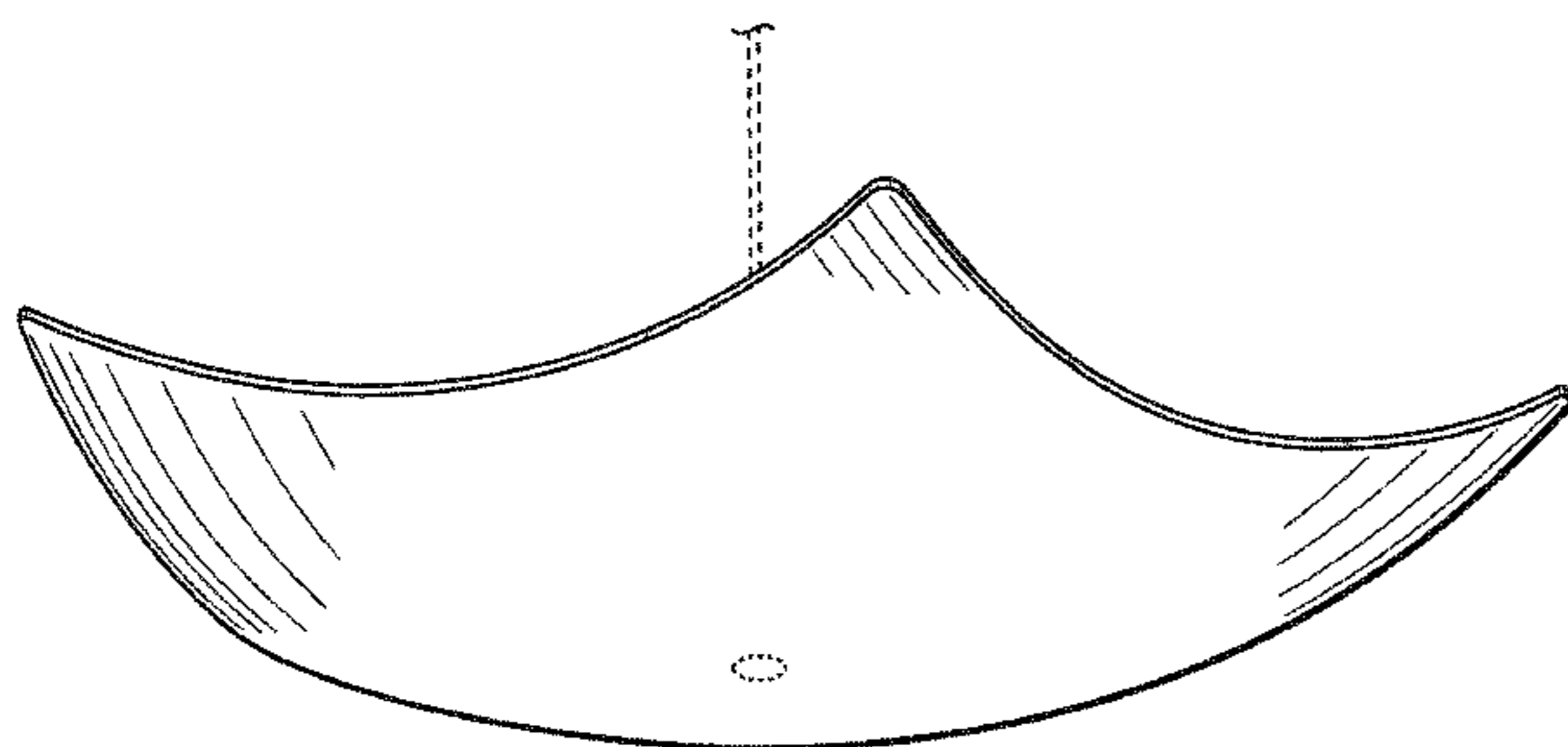
FIG. 4 is a rotated elevational view thereof; and,

FIG. 5 is a bottom plan view thereof.

“OLED” means organic light-emitting diode. The characteristic feature of the design resides in the overall shape of the OLED lighting fixture, which can emit light from all or a portion of its bottom and/or top surfaces. The OLED lighting fixture can be transparent, translucent or opaque, or different portions of the OLED lighting fixture can be transparent, translucent or opaque, while other portions have a different transparent, translucent or opaque characteristic.

The broken line showing of a suspension element and suspension element attachment knob is provided for illustrative purposes only and forms no part of the claimed design. The OLED lighting fixture can be suspended in either an up or down orientation.

1 Claim, 4 Drawing Sheets



US D618,839 S

Page 2

U.S. PATENT DOCUMENTS

D481,454 S * 10/2003 Young D23/411
D548,872 S * 8/2007 Dubbeldam et al. D26/85
D552,291 S * 10/2007 De'Armond D26/85
D563,589 S * 3/2008 Hariri et al. D26/88
D600,399 S * 9/2009 Sonobe D26/121
2008/0007936 A1* 1/2008 Liu et al. 362/84

OTHER PUBLICATIONS

George Kovacs Checked Glass 18" Wide Pendant
Light—item#EUJ3589 from EuroStyleLighting.com. Downloaded
Oct. 8, 2009.*

Eurofase Intertwining Vines Plate Glass Square
Pendant—Item#EUH5078 from eurostylelighting.com on Oct. 8,
2009.*

All OLED Light fixtures shown in article “OLED—The Flexible,
Power-efficient Future of Lighting” in Ecofriend.org blog dated Jul.
30, 2008. (5 pages).*

Phillipe Collection 23 1/2" Wide Pendant Light—Item#EU58143
from Eurostylelighting.com on Oct. 8, 2009. (2 pages).*

* cited by examiner

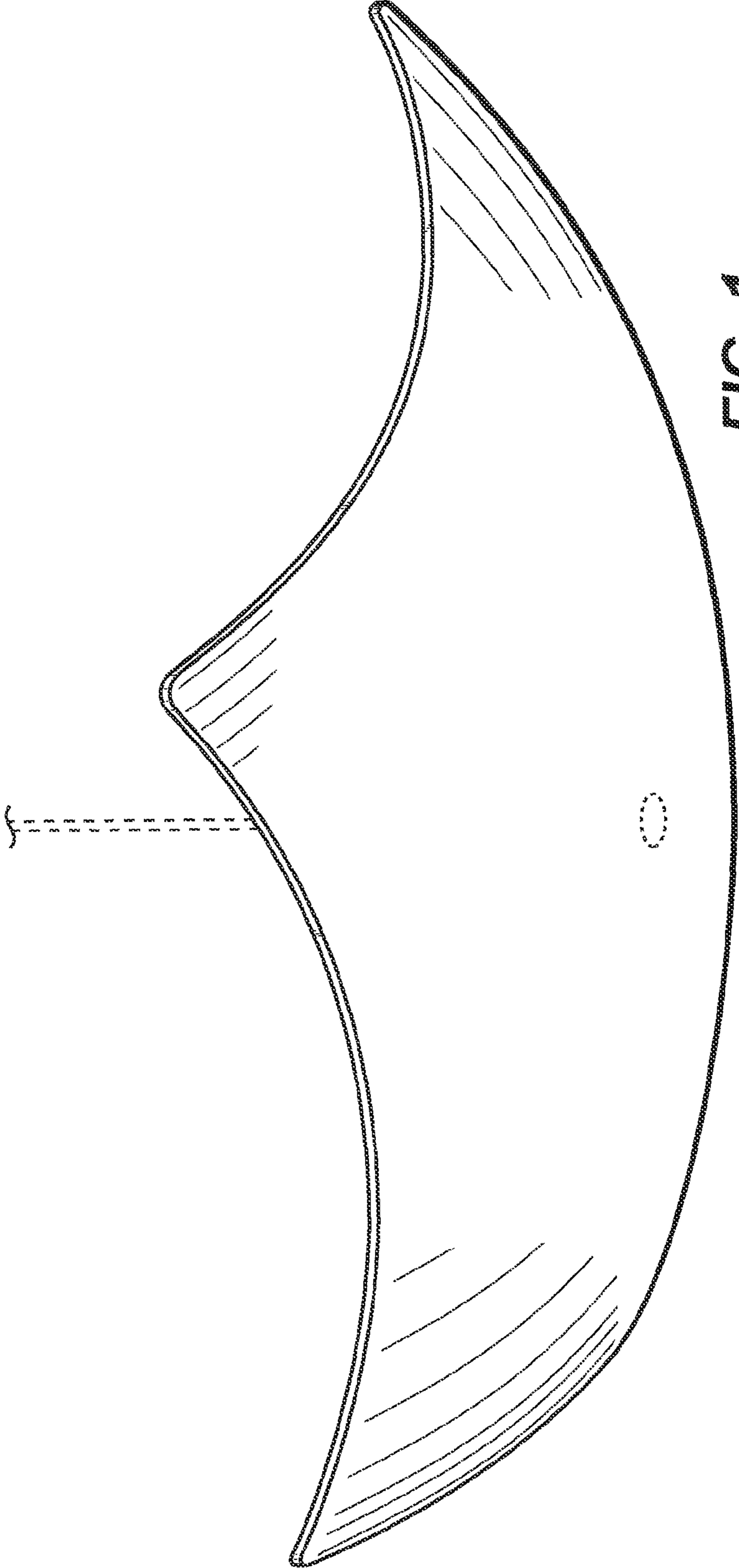


FIG. 1

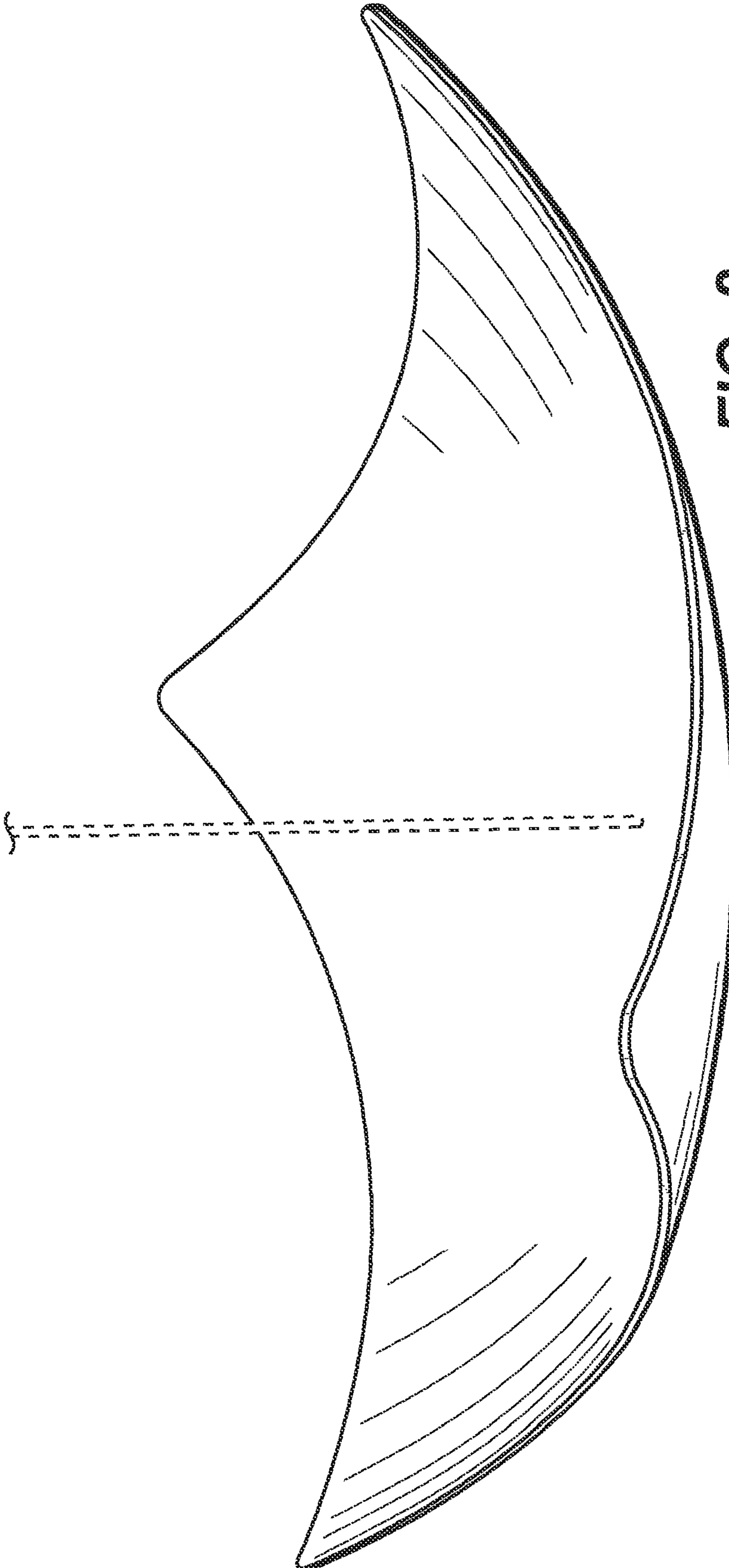


FIG. 2

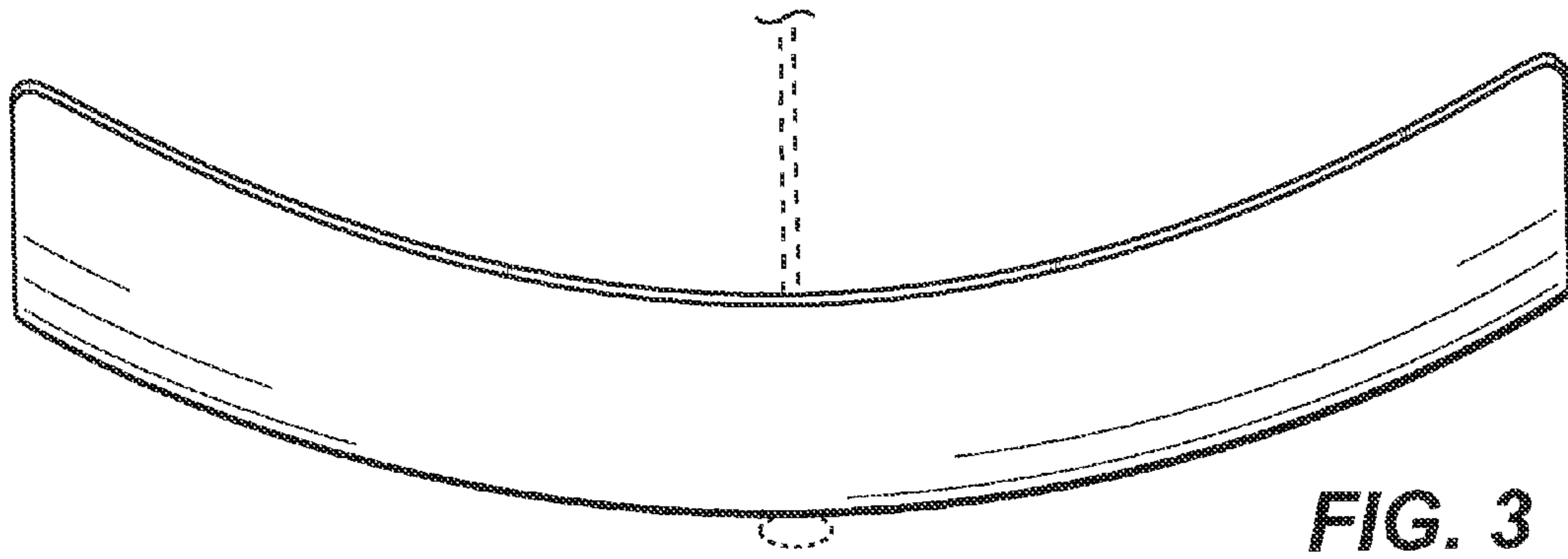


FIG. 3

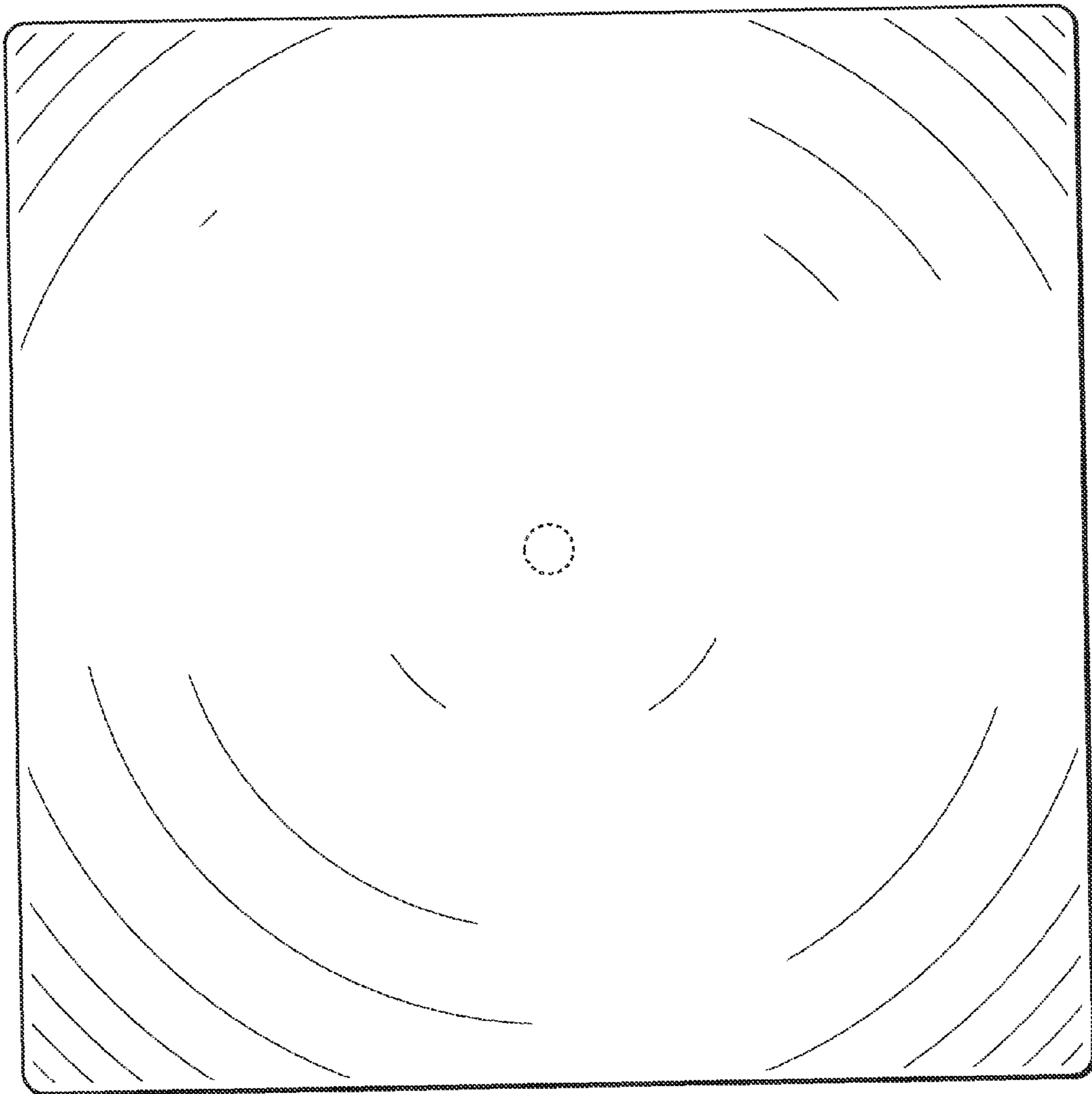


FIG. 5

