



US00D618838S

(12) **United States Design Patent**
Smith

(10) **Patent No.:** **US D618,838 S**
(45) **Date of Patent:** **** Jun. 29, 2010**

(54) **HAND-HELD FLASHLIGHT**

(75) Inventor: **Kenneth L. Smith**, Porum, OK (US)

(73) Assignee: **Primos, Inc.**, Flora, MS (US)

(**) Term: **14 Years**

(21) Appl. No.: **29/321,587**

(22) Filed: **Jul. 18, 2008**

(51) **LOC (9) Cl.** **26-02**

(52) **U.S. Cl.** **D26/49**

(58) **Field of Classification Search** D26/37,
D26/46, 49; 362/157, 158, 184, 194–196,
362/202–208

See application file for complete search history.

(56) **References Cited**

U.S. PATENT DOCUMENTS

D333,527 S *	2/1993	Leung	D26/49
D344,151 S *	2/1994	Yiu Kwong	D26/42
D372,996 S *	8/1996	Geissler	D26/42
D428,173 S *	7/2000	Lynch et al.	D26/42
D457,976 S *	5/2002	Kung	D26/49
D488,877 S *	4/2004	Shin	D26/49
D543,883 S *	6/2007	Nolan	D10/104
D548,388 S *	8/2007	Cormier et al.	D26/120
D586,025 S *	2/2009	Bonis	D26/49

D595,440 S *	6/2009	Rivera et al.	D26/49
D601,287 S *	9/2009	Caniparoli	D26/49
D607,591 S *	1/2010	Rivera et al.	D26/49

* cited by examiner

Primary Examiner—Ian Simmons

Assistant Examiner—Carissa C Fitts

(74) *Attorney, Agent, or Firm*—Holland & Hart

(57) **CLAIM**

The ornamental design for a “hand-held flashlight,” as shown and described.

DESCRIPTION

FIG. 1 is a perspective view of a “hand-held flashlight” according to the present invention;

FIG. 2 is a top view of the hand-held flashlight of FIG. 1;

FIG. 3 is a right-side elevation view of the hand-held flashlight of FIG. 1;

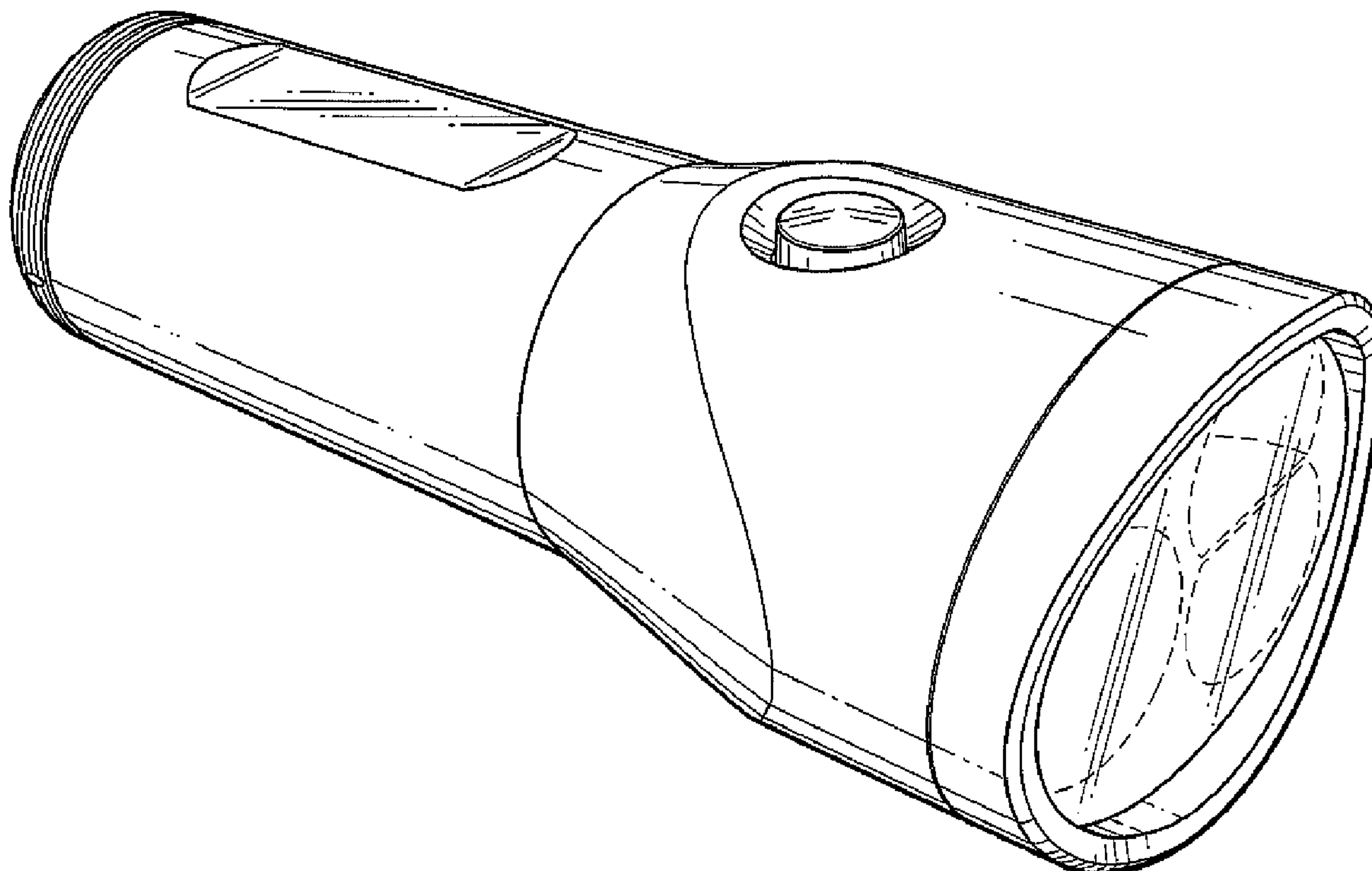
FIG. 4 is a bottom view of the hand-held flashlight of FIG. 1;

FIG. 5 is a front view of the hand-held flashlight of FIG. 1; and,

FIG. 6 is a rear view of the hand-held flashlight of FIG. 1.

The broken line showing is for environmental purposes only and forms no part of the claimed design.

1 Claim, 2 Drawing Sheets



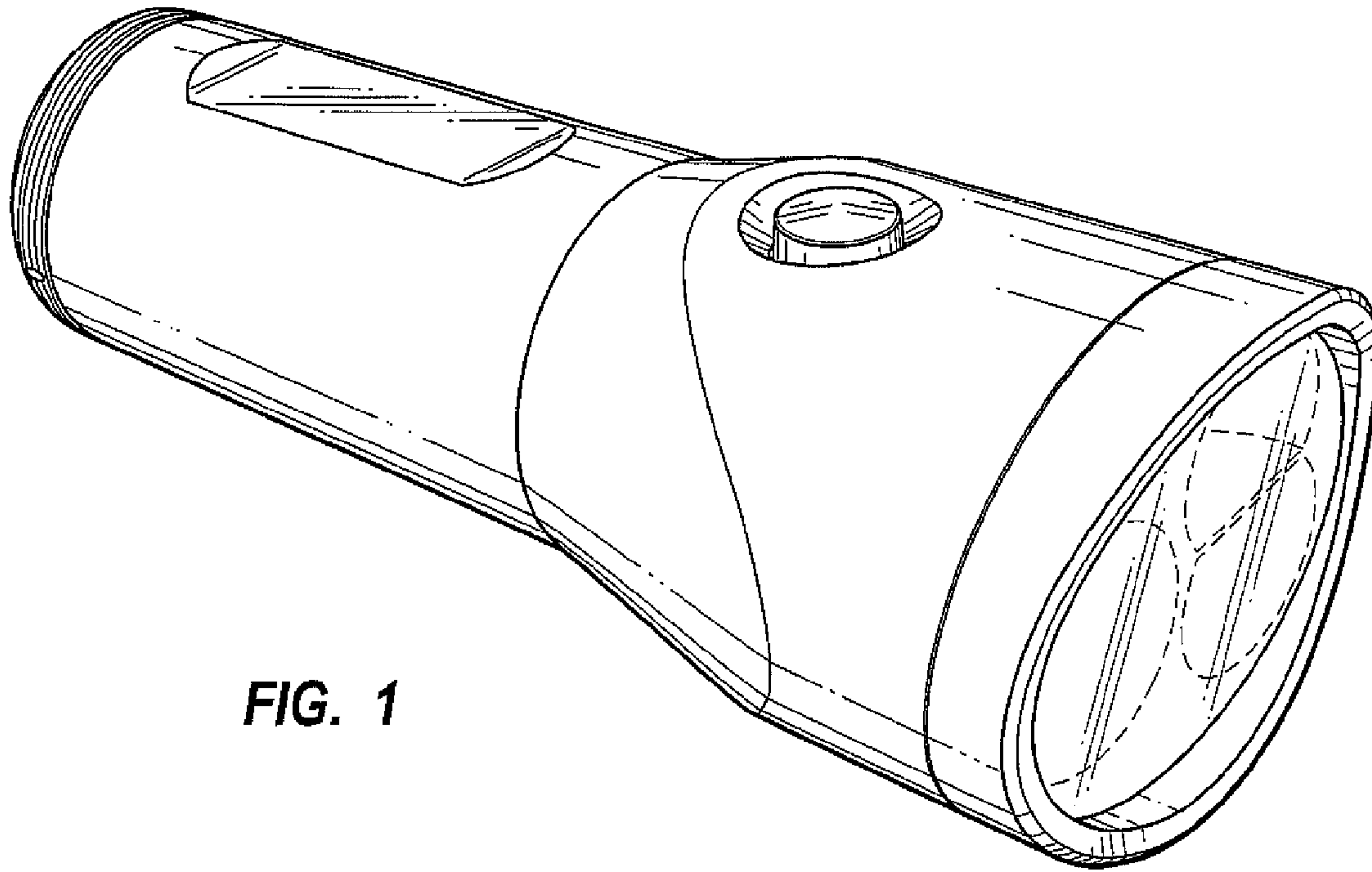


FIG. 1

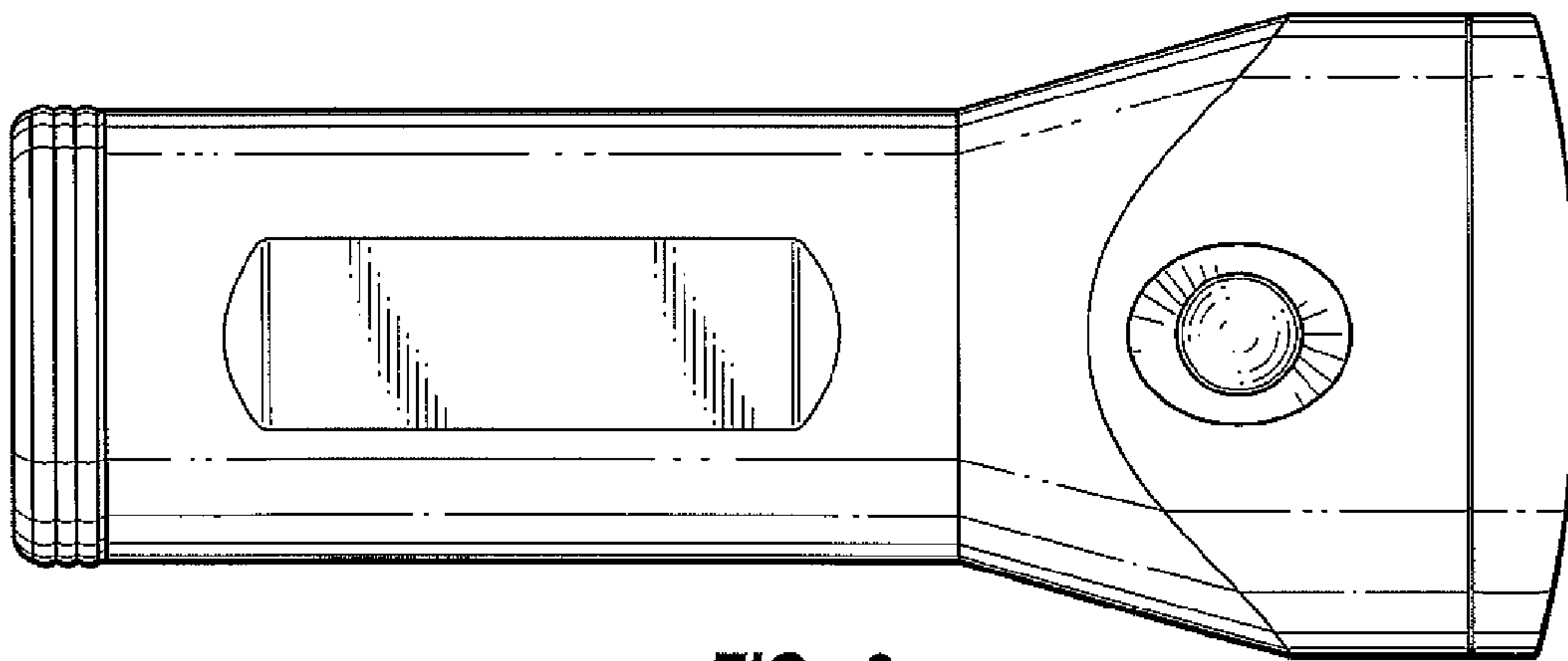


FIG. 2

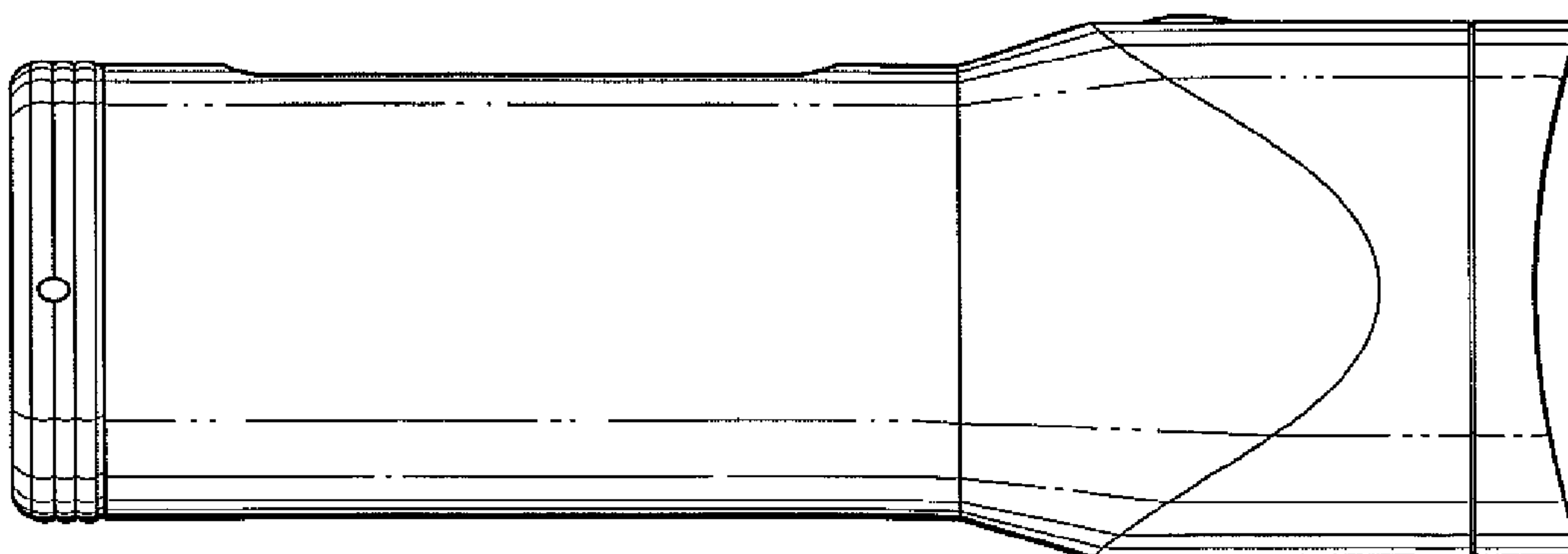


FIG. 3

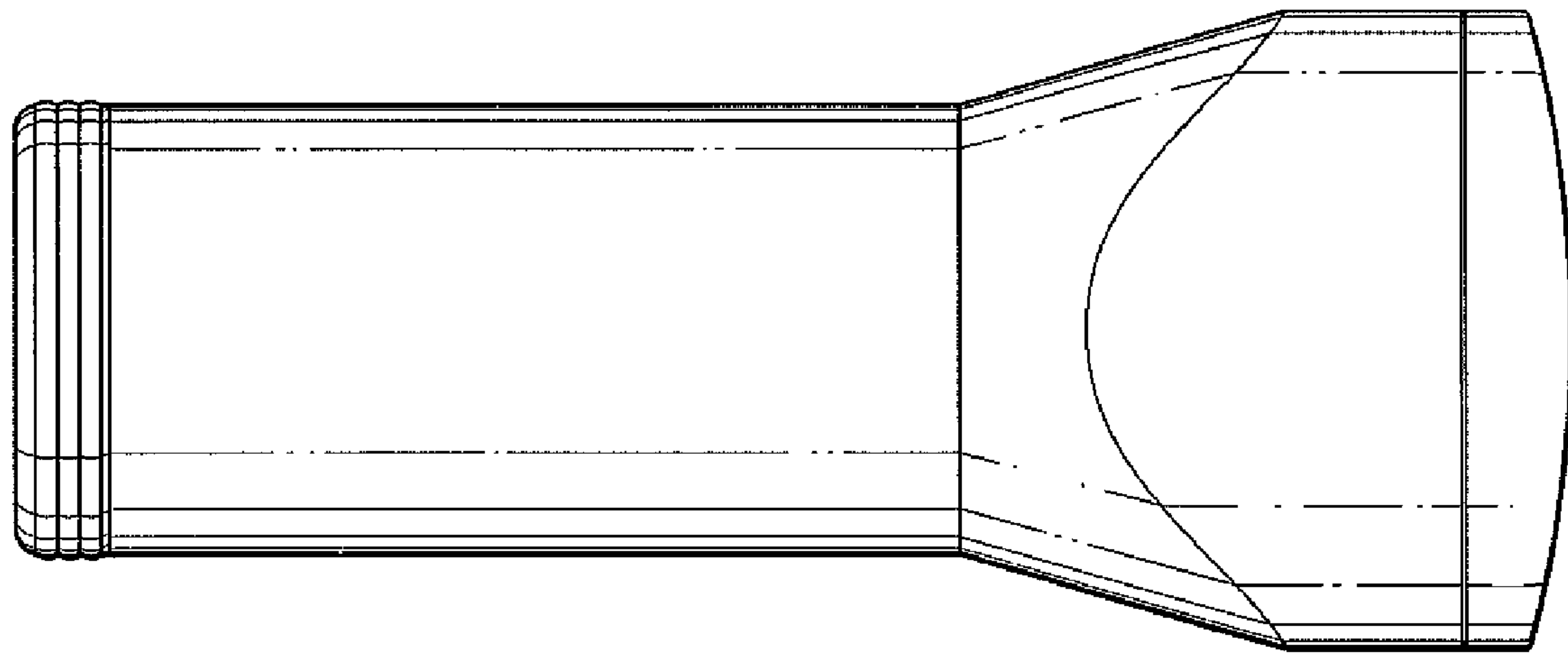


FIG. 4

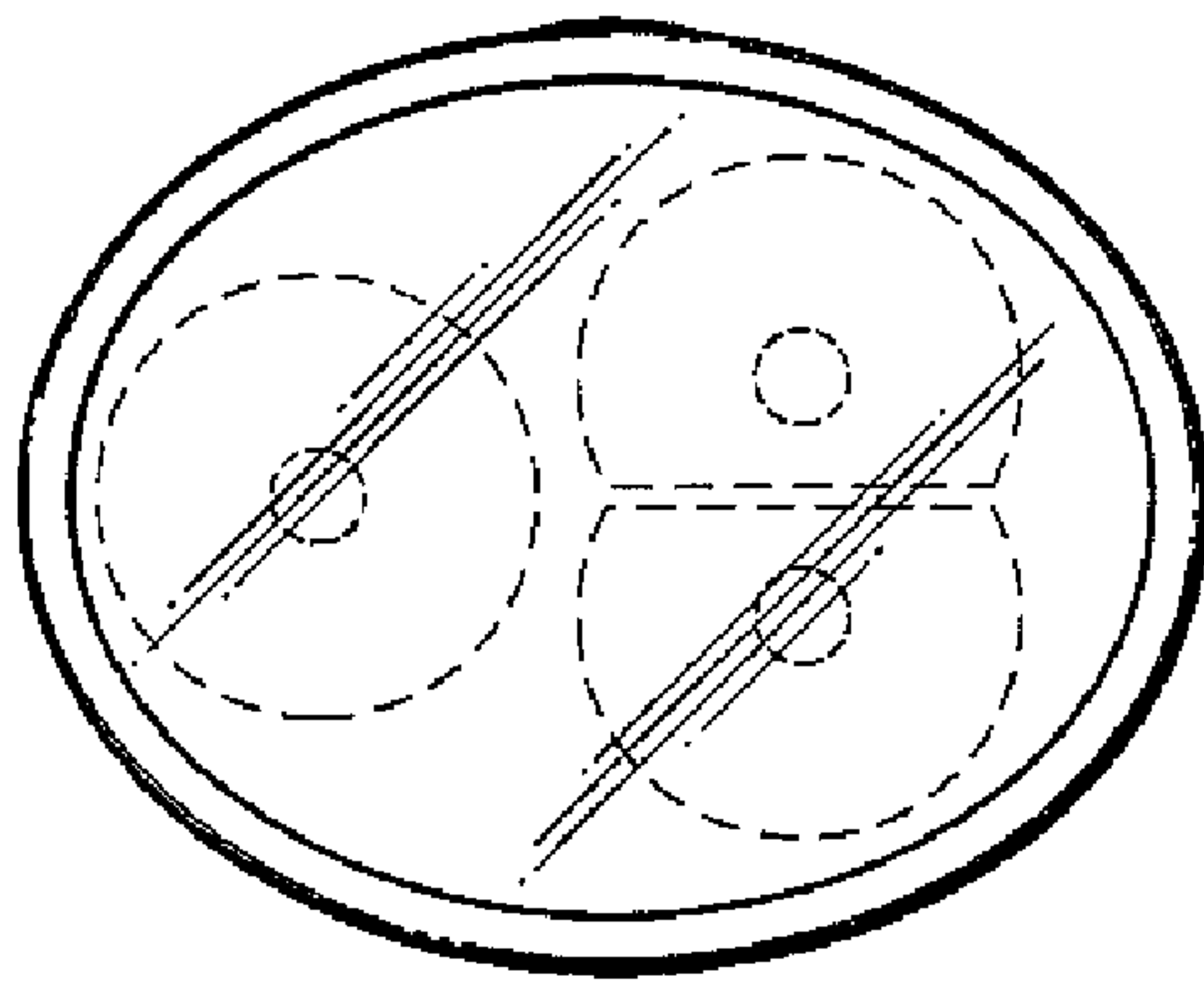


FIG. 5

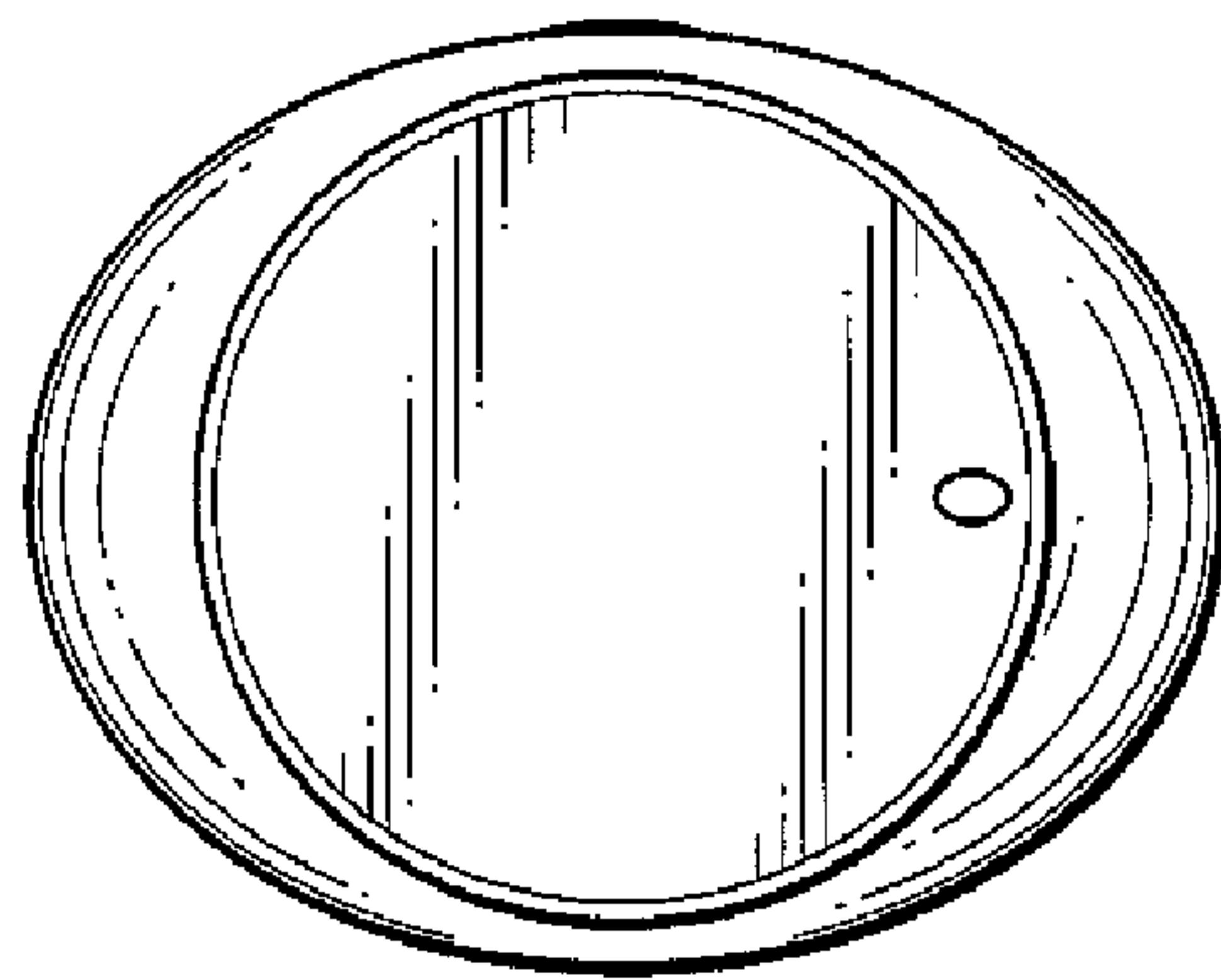


FIG. 6