



US00D618837S

(12) **United States Design Patent**
Leung et al.

(10) **Patent No.:** **US D618,837 S**
(45) **Date of Patent:** **** Jun. 29, 2010**

(54) **SPOT LIGHT**

(76) Inventors: **Ambrose Shing-Yin Leung**, Unit 901,
53-57 Kwai Fung Crescent, Kwai Chung,
NT (HK); **Benson Chung-Pun Leung**,
Unit 901, 53-57 Kwai Fung Crescent,
Kwai Chung, NT (HK)

(**) Term: **14 Years**

(21) Appl. No.: **29/345,650**

(22) Filed: **Oct. 20, 2009**

(51) **LOC (9) Cl.** **26-02**

(52) **U.S. Cl.** **D26/45**

(58) **Field of Classification Search** D26/37,
D26/40, 41, 42, 46, 49, 45, 50; 362/157,
362/158, 170-174, 184, 183, 182, 186, 194-196,
362/201-208

See application file for complete search history.

(56) **References Cited**

U.S. PATENT DOCUMENTS

D245,282 S * 8/1977 Brinkmann D26/45
D436,200 S * 1/2001 Cheong et al. D26/45
D441,474 S * 5/2001 Poon D26/45
D469,904 S * 2/2003 Levine et al. D26/45

D469,905 S * 2/2003 Levine et al. D26/45
D491,303 S * 6/2004 Shen D26/45
D501,268 S 1/2005 Yuen
D506,278 S * 6/2005 Dayan D26/45
2008/0278946 A1 11/2008 Tarter

* cited by examiner

Primary Examiner—Ian Simmons

Assistant Examiner—Carissa C Fitts

(74) *Attorney, Agent, or Firm*—Bishop & Diehl, Ltd.

(57) **CLAIM**

The ornamental design for a spot light, as shown and described.

DESCRIPTION

FIG. 1 is a perspective view of the spot light of the claimed invention;

FIG. 2 is a front view of the spot light of FIG. 1;

FIG. 3 is a rear view of the spot light of FIG. 1;

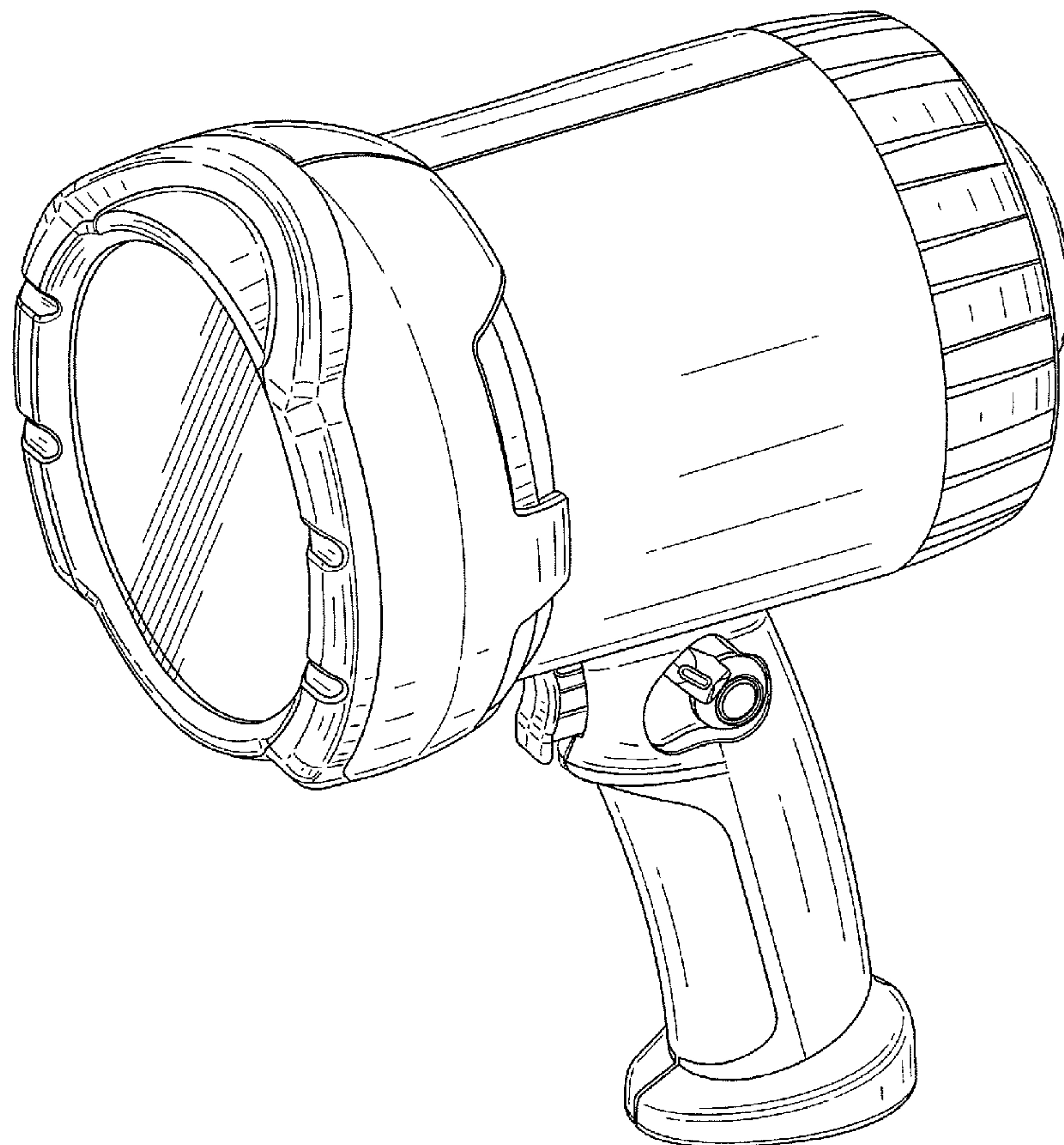
FIG. 4 is a left side view of the spot light of FIG. 1;

FIG. 5 is a right side view of the spot light of FIG. 1;

FIG. 6 is a top plan view of the spot light of FIG. 1; and,

FIG. 7 is a bottom plan view of the spot light of FIG. 1.

1 Claim, 7 Drawing Sheets



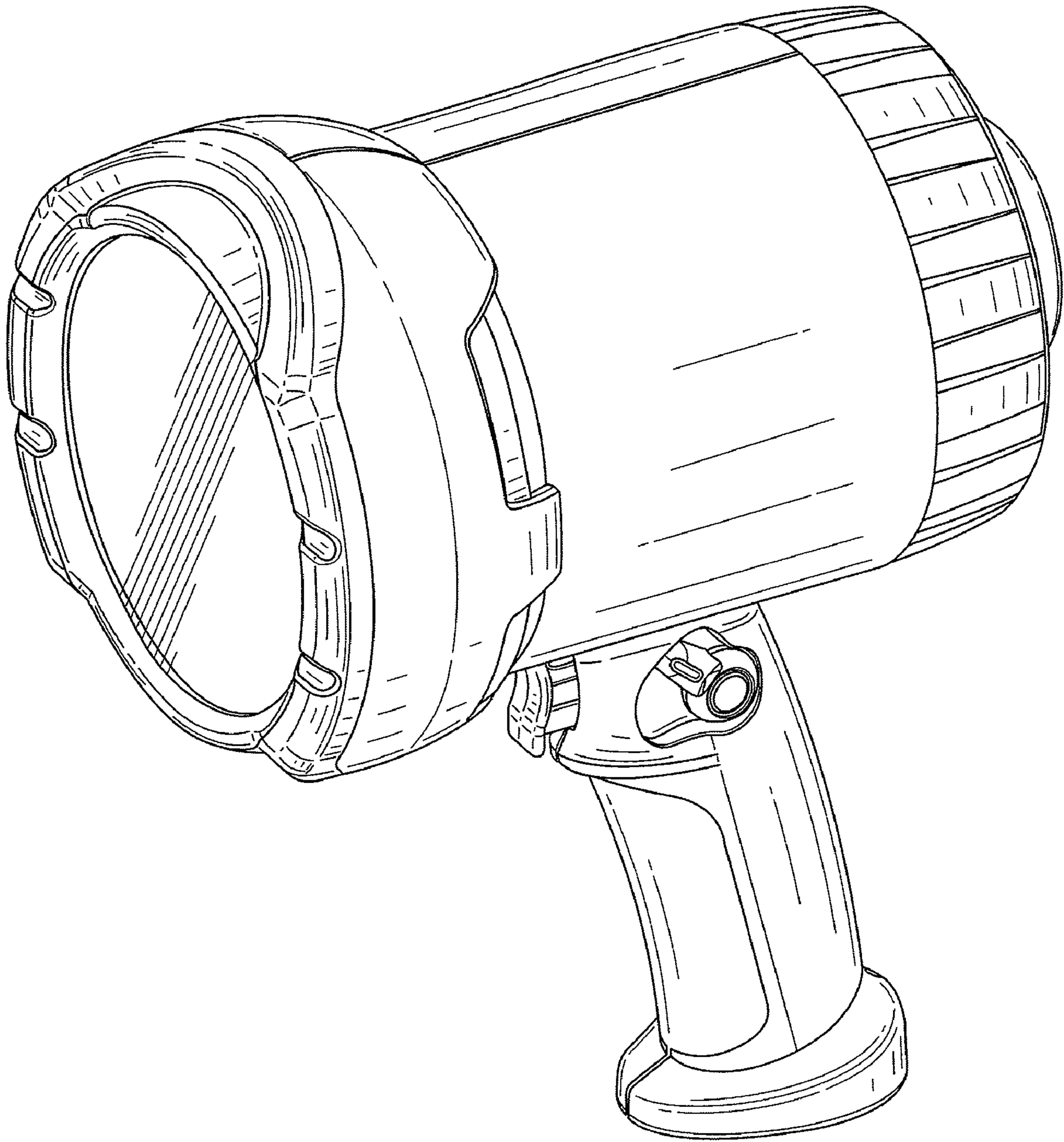


FIG. 1

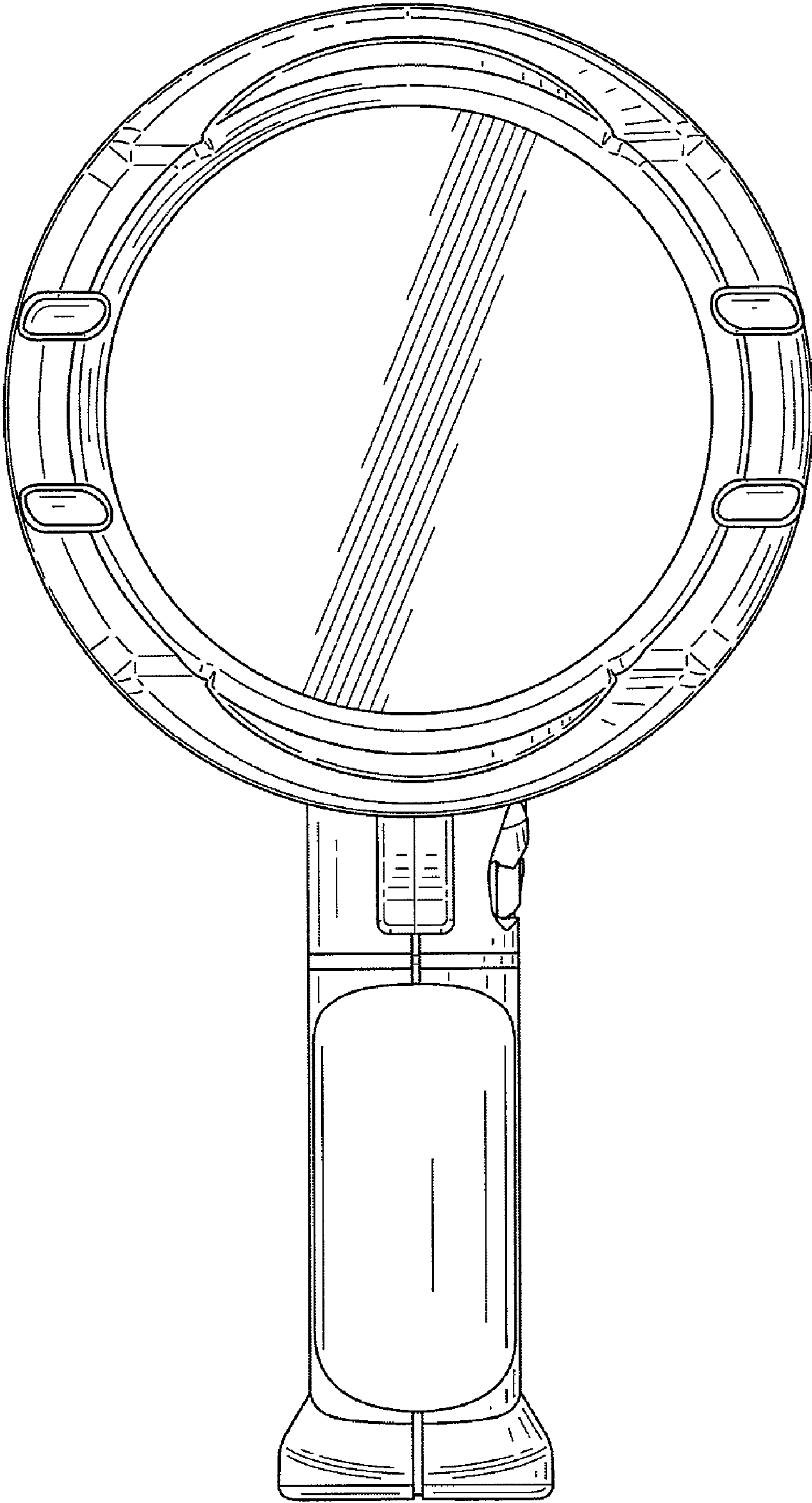


FIG. 2

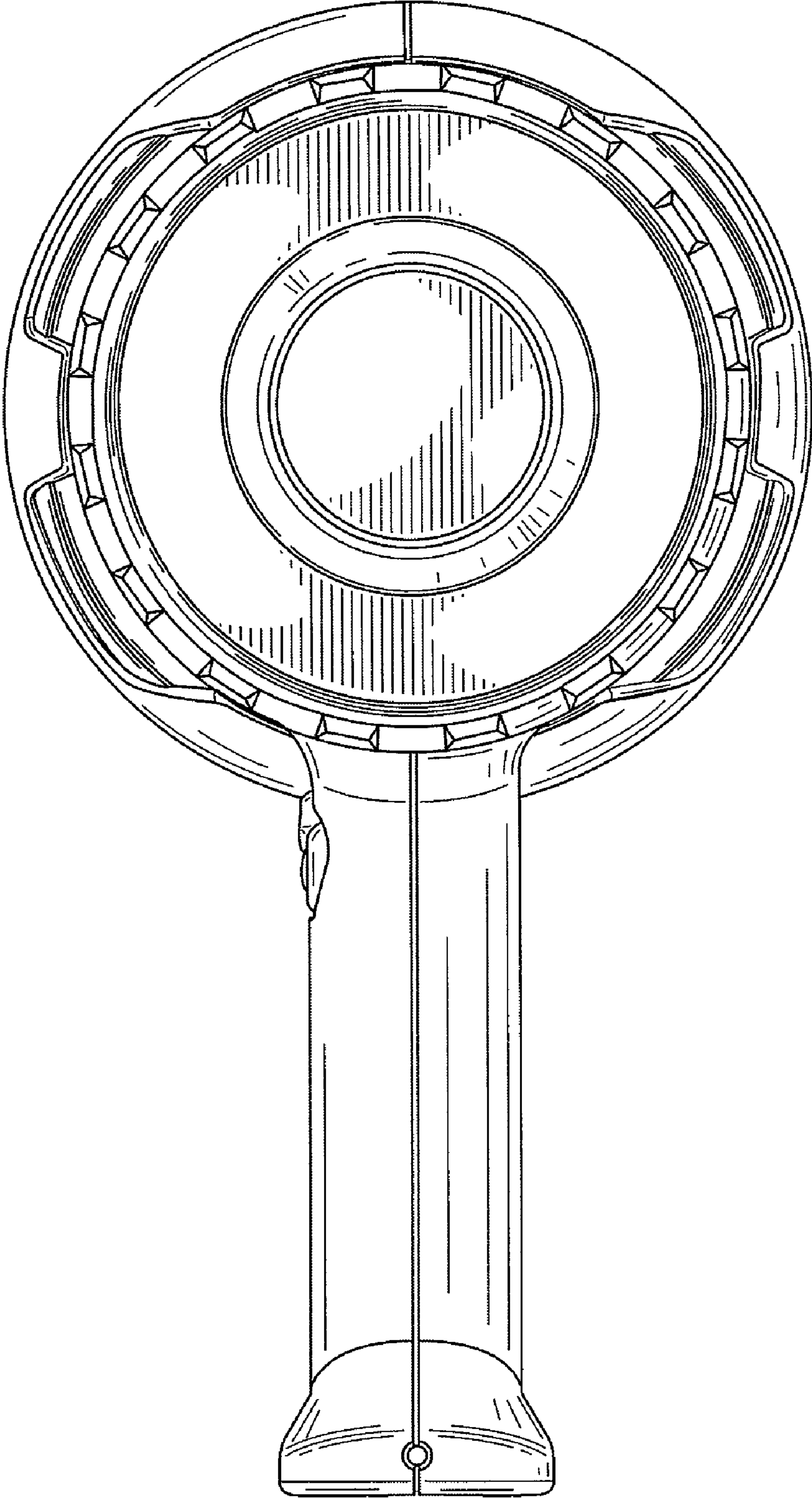


FIG. 3

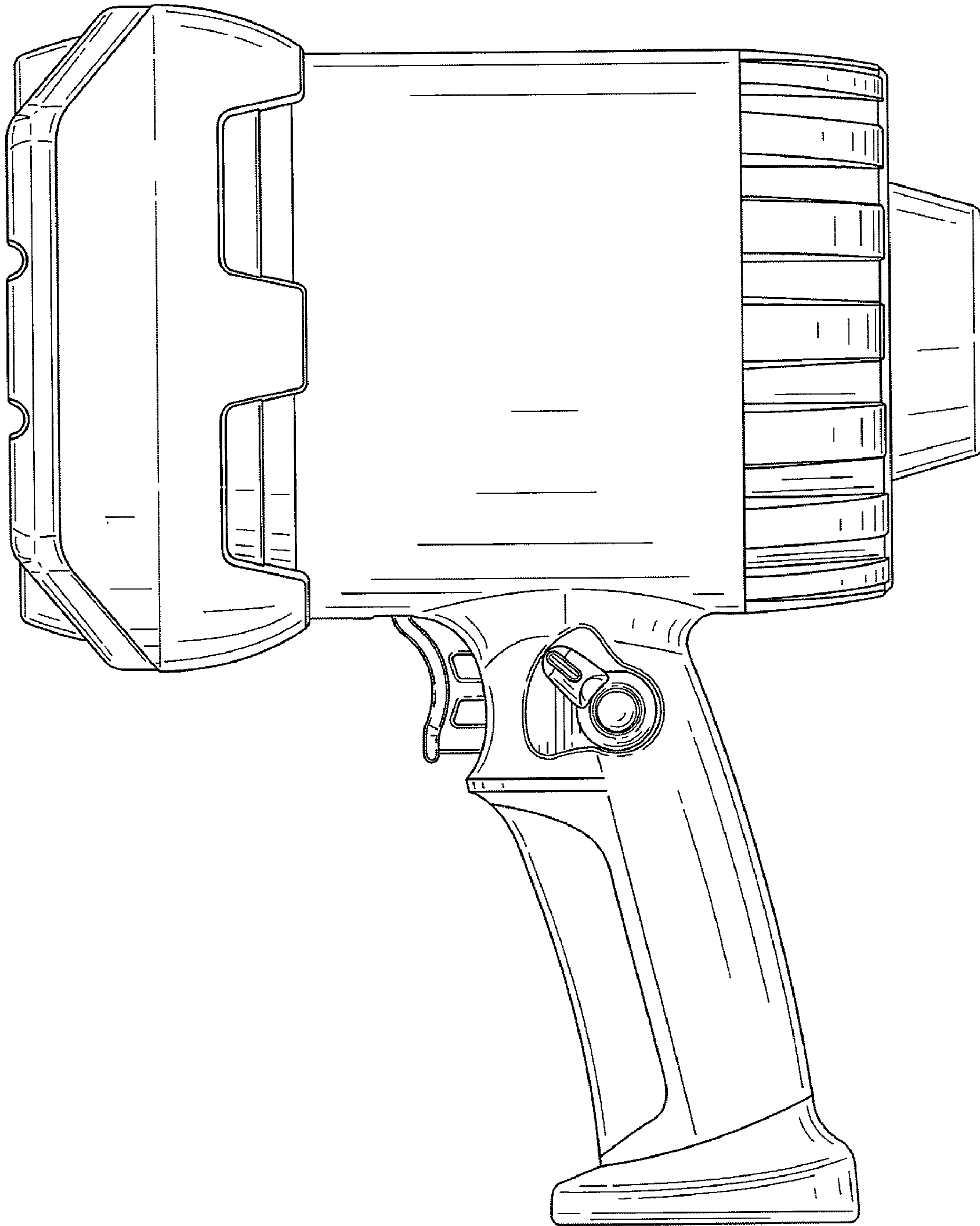


FIG. 4

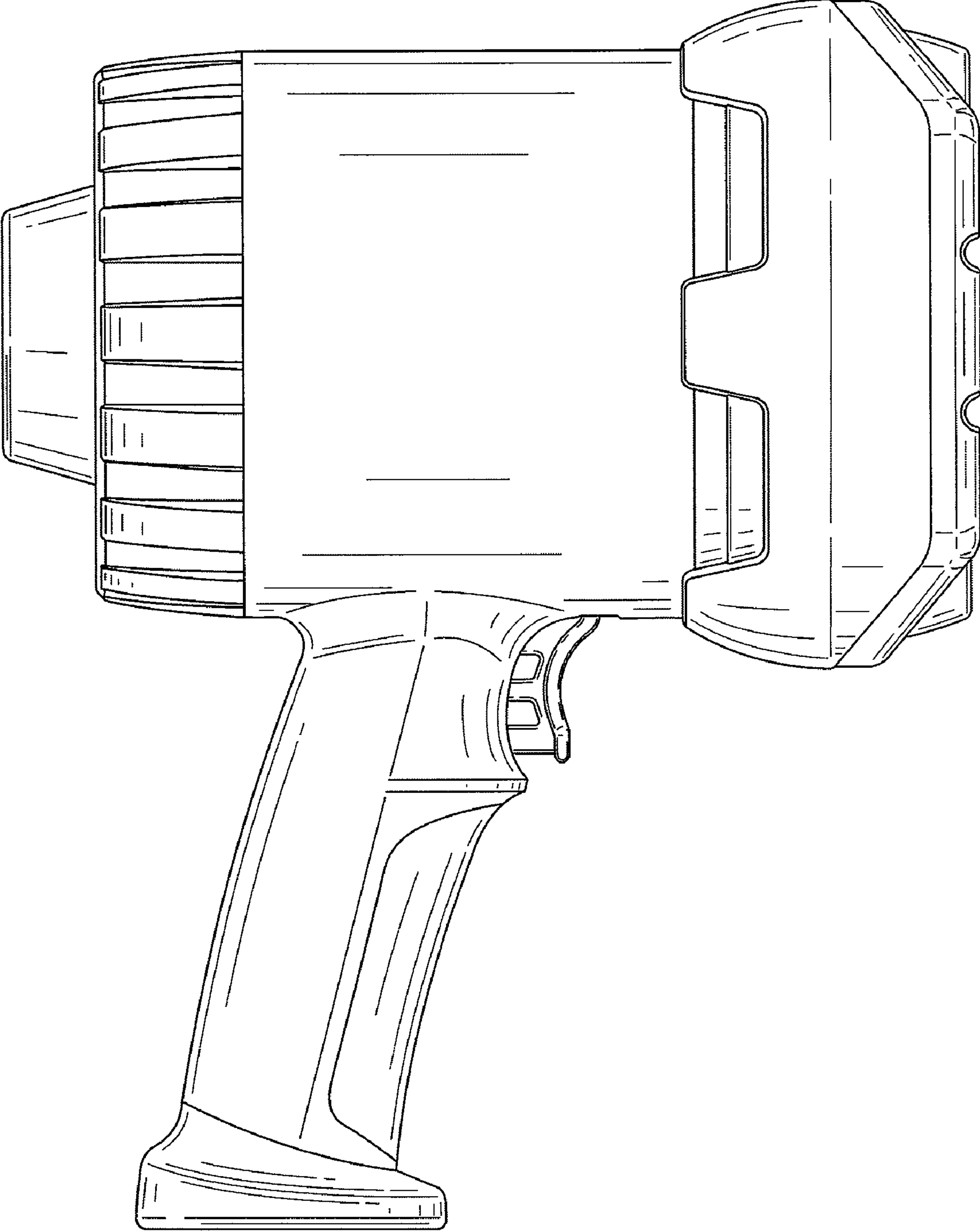


FIG. 5

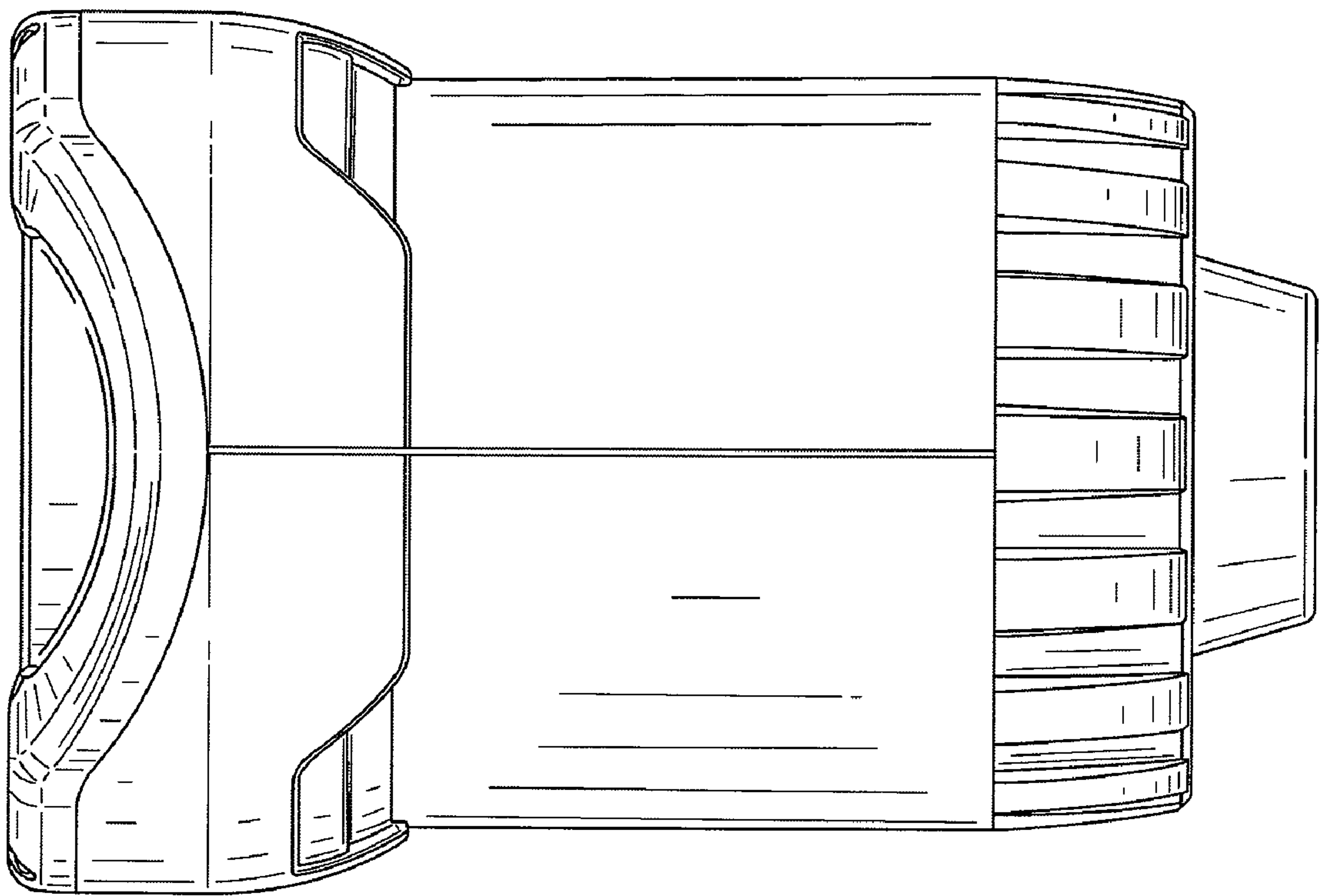


FIG. 6

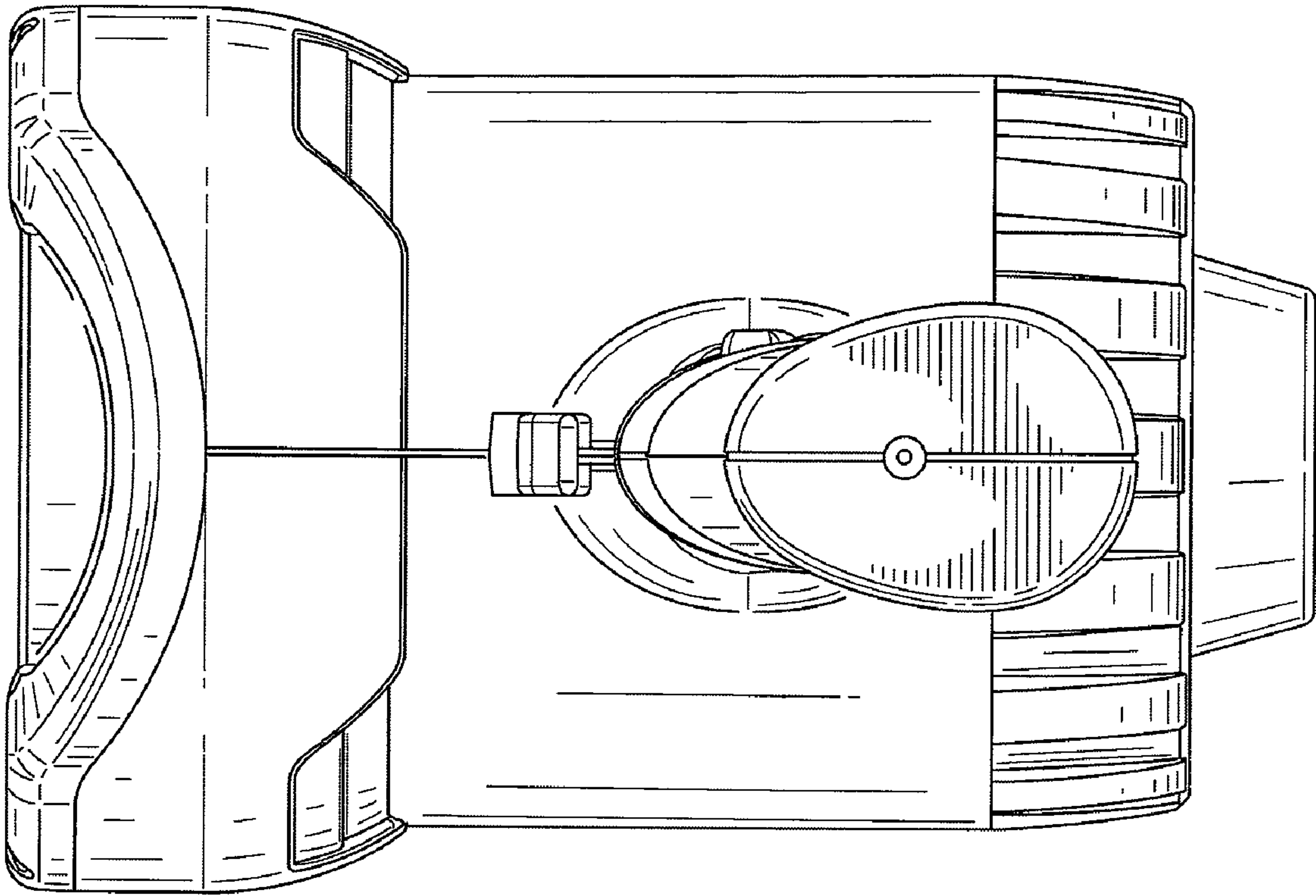


FIG. 7