



US00D618836S

(12) **United States Design Patent**  
**Shim et al.**

(10) **Patent No.:** **US D618,836 S**  
(45) **Date of Patent:** **\*\* Jun. 29, 2010**

(54) **REAR COMBINATION LAMP FOR AUTOMOBILES**

(75) Inventors: **Sung Hwan Shim**, Gyeonggi-Do (KR);  
**Jung Woo Sa**, Seoul (KR)

(73) Assignee: **Hyundai Motor Company**, Seoul (KR)

(\*\*) Term: **14 Years**

(21) Appl. No.: **29/351,850**

(22) Filed: **Dec. 11, 2009**

(51) **LOC (9) Cl.** ..... **26-06**

(52) **U.S. Cl.** ..... **D26/28**

(58) **Field of Classification Search** ..... D26/28-36;  
362/459-468, 475-478, 485-487  
See application file for complete search history.

(56) **References Cited**

**U.S. PATENT DOCUMENTS**

D550,380 S *	9/2007	Lin	.....	D26/28
D561,357 S *	2/2008	Leclercq	.....	D26/28
D570,015 S *	5/2008	Hsu	.....	D26/28
D574,524 S *	8/2008	Tomatsu	.....	D26/28

\* cited by examiner

*Primary Examiner*—Marcus A Jackson  
(74) *Attorney, Agent, or Firm*—Edwards Angell Palmer & Dodge LLP; Peter F. Corless; Kingsik Kim

(57) **CLAIM**

The ornamental design for a rear combination lamp for automobiles, as shown and described.

**DESCRIPTION**

FIG. 1 is a perspective view of a rear combination lamp for automobiles according to the present invention.

FIG. 2 is a front view of the rear combination lamp for automobiles of FIG. 1.

FIG. 3 is a rear view of the rear combination lamp for automobiles of FIG. 1.

FIG. 4 is a left side view of the rear combination lamp for automobiles of FIG. 1.

FIG. 5 is a right side view of the rear combination lamp for automobiles of FIG. 1.

FIG. 6 is a top view of the rear combination lamp for automobiles of FIG. 1; and,

FIG. 7 is a bottom view of the rear combination lamp for automobiles of FIG. 1.

**1 Claim, 7 Drawing Sheets**

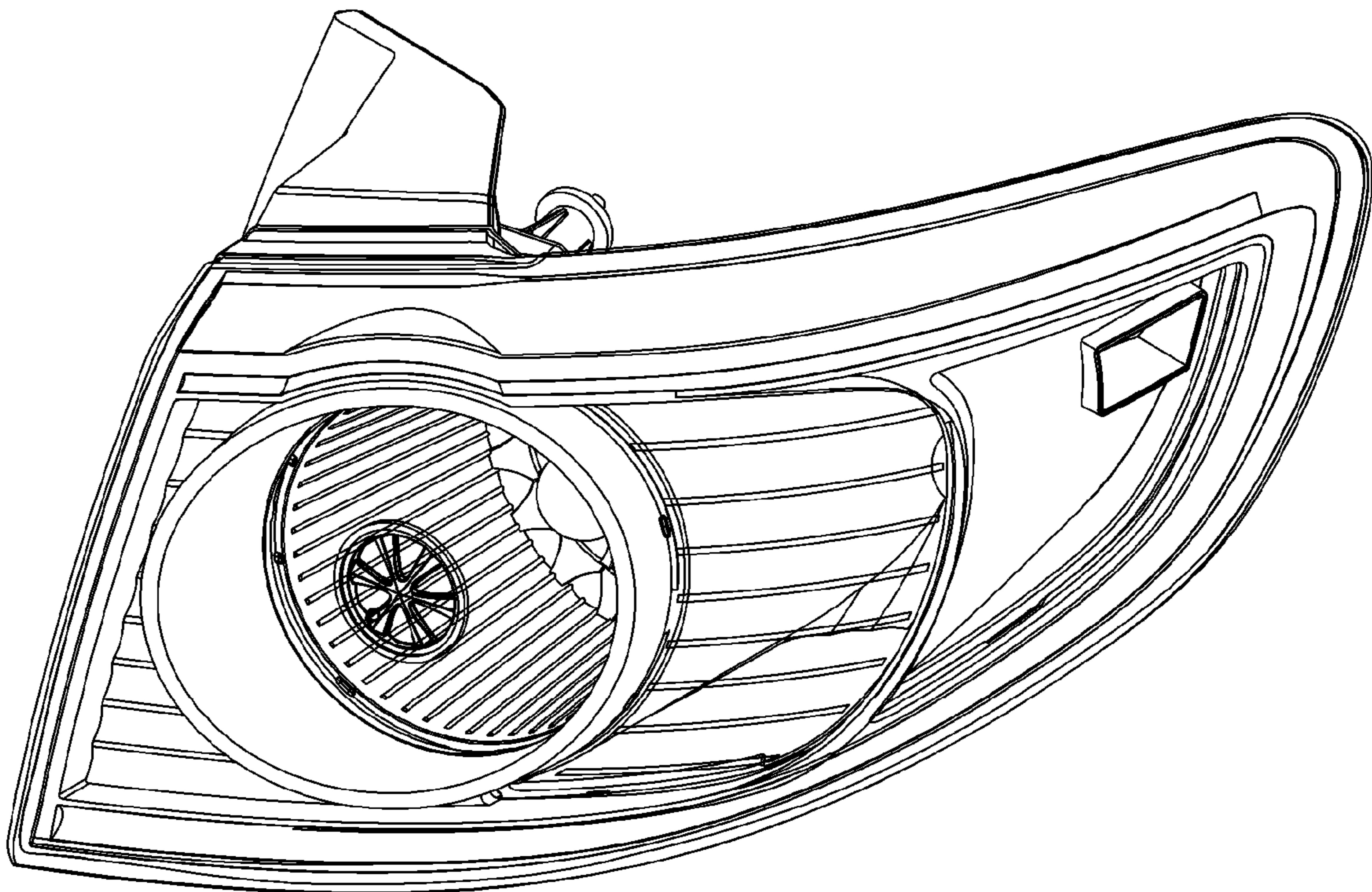


FIG. 1

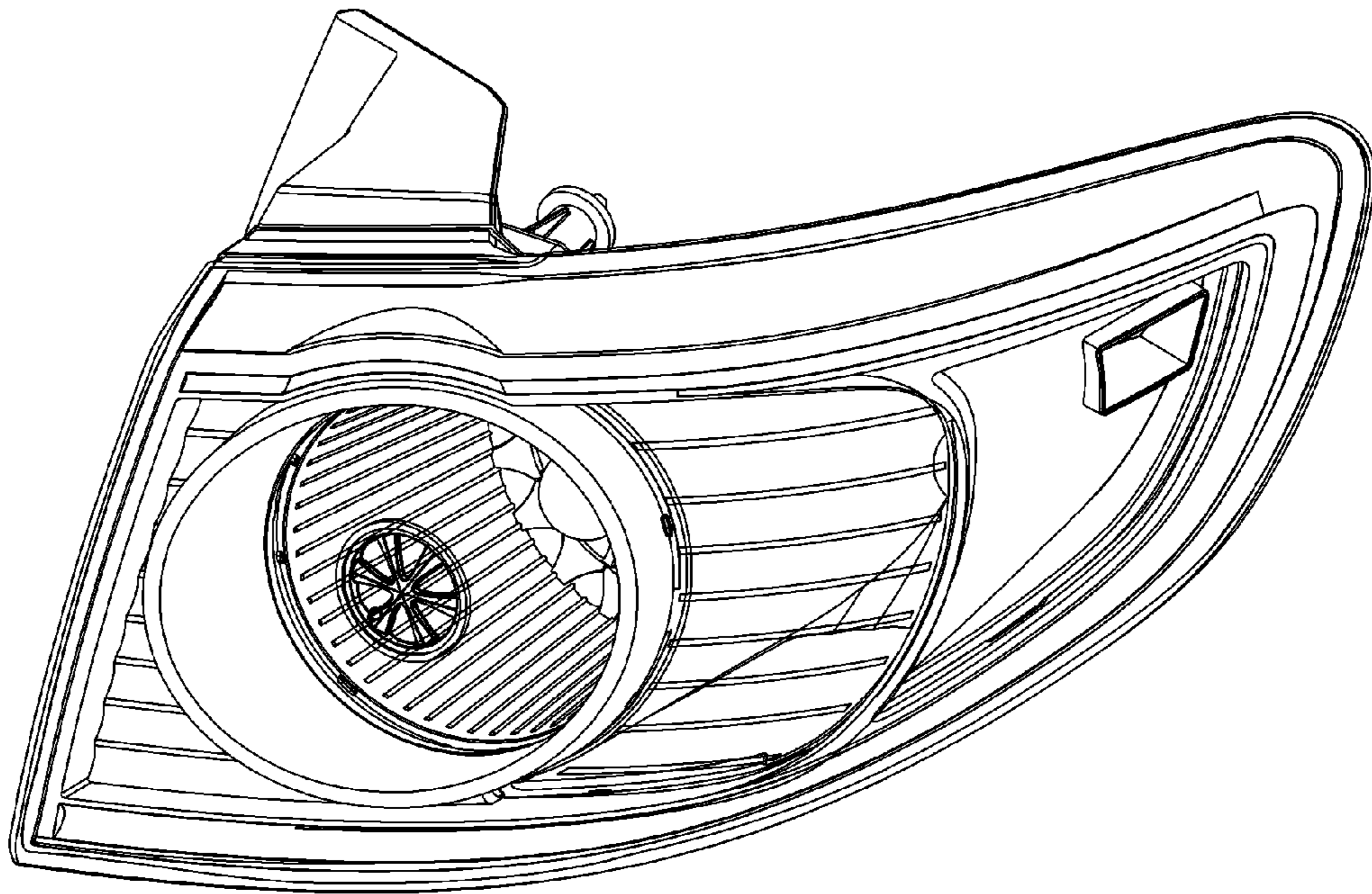


FIG. 2

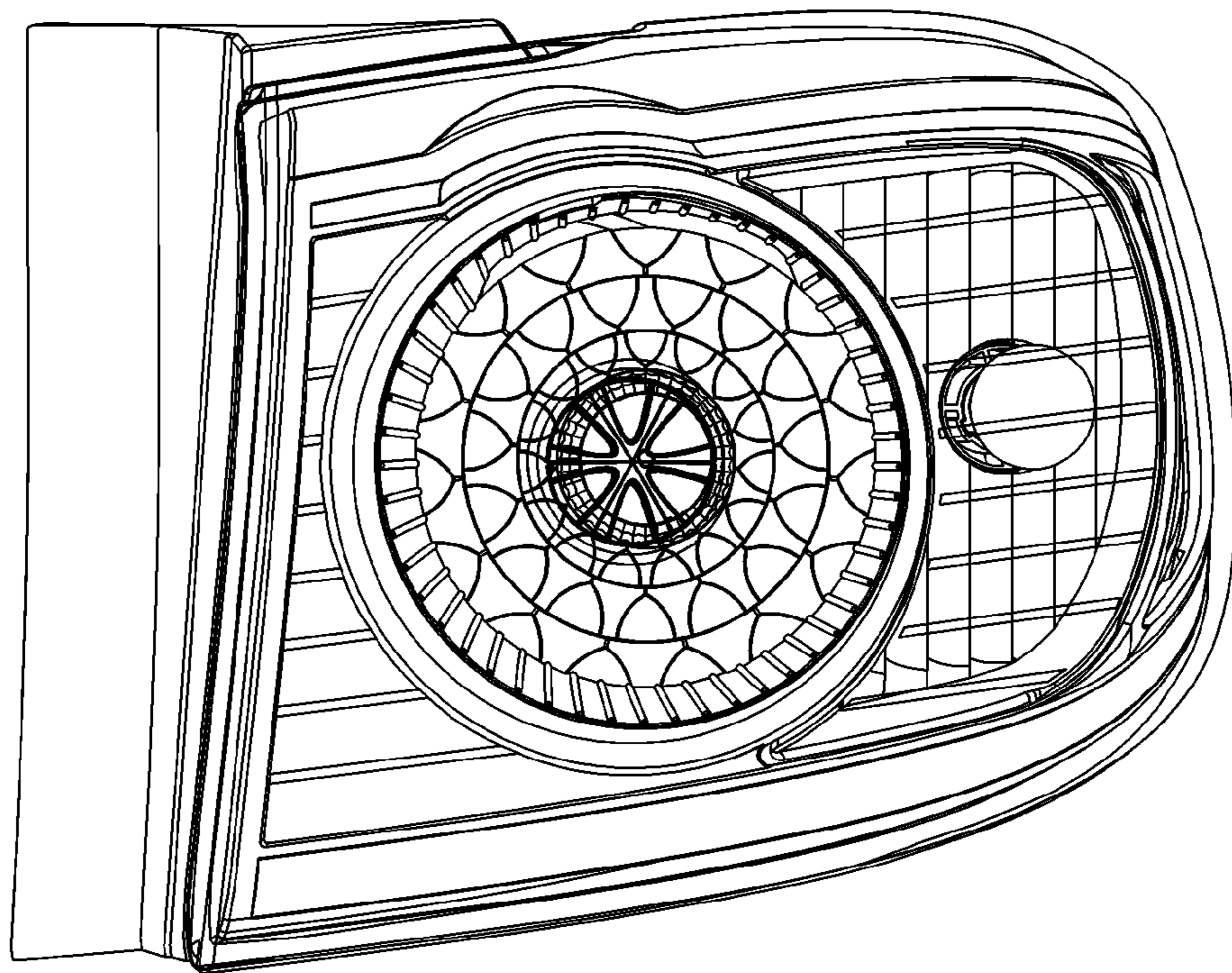


FIG. 3

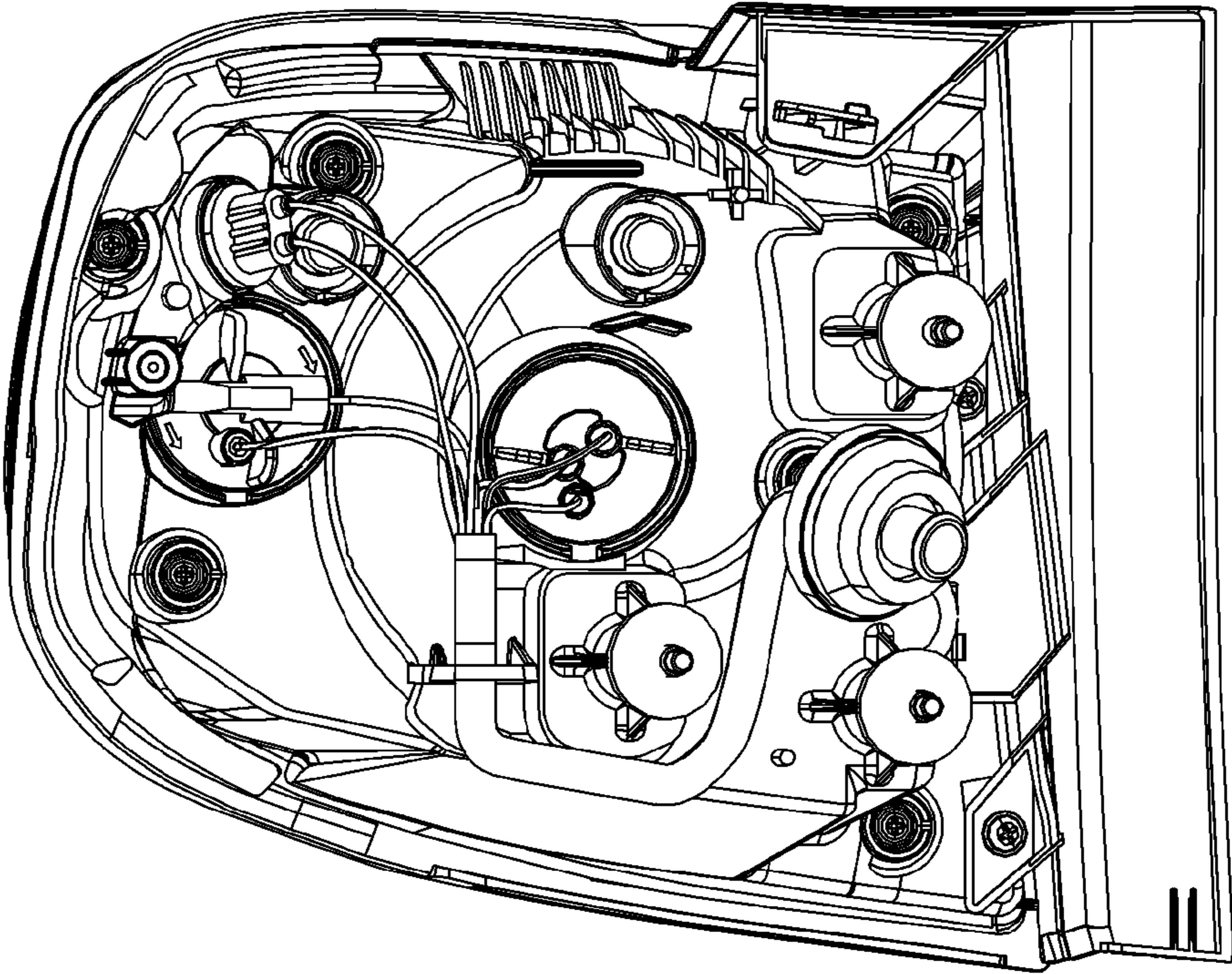


FIG. 4

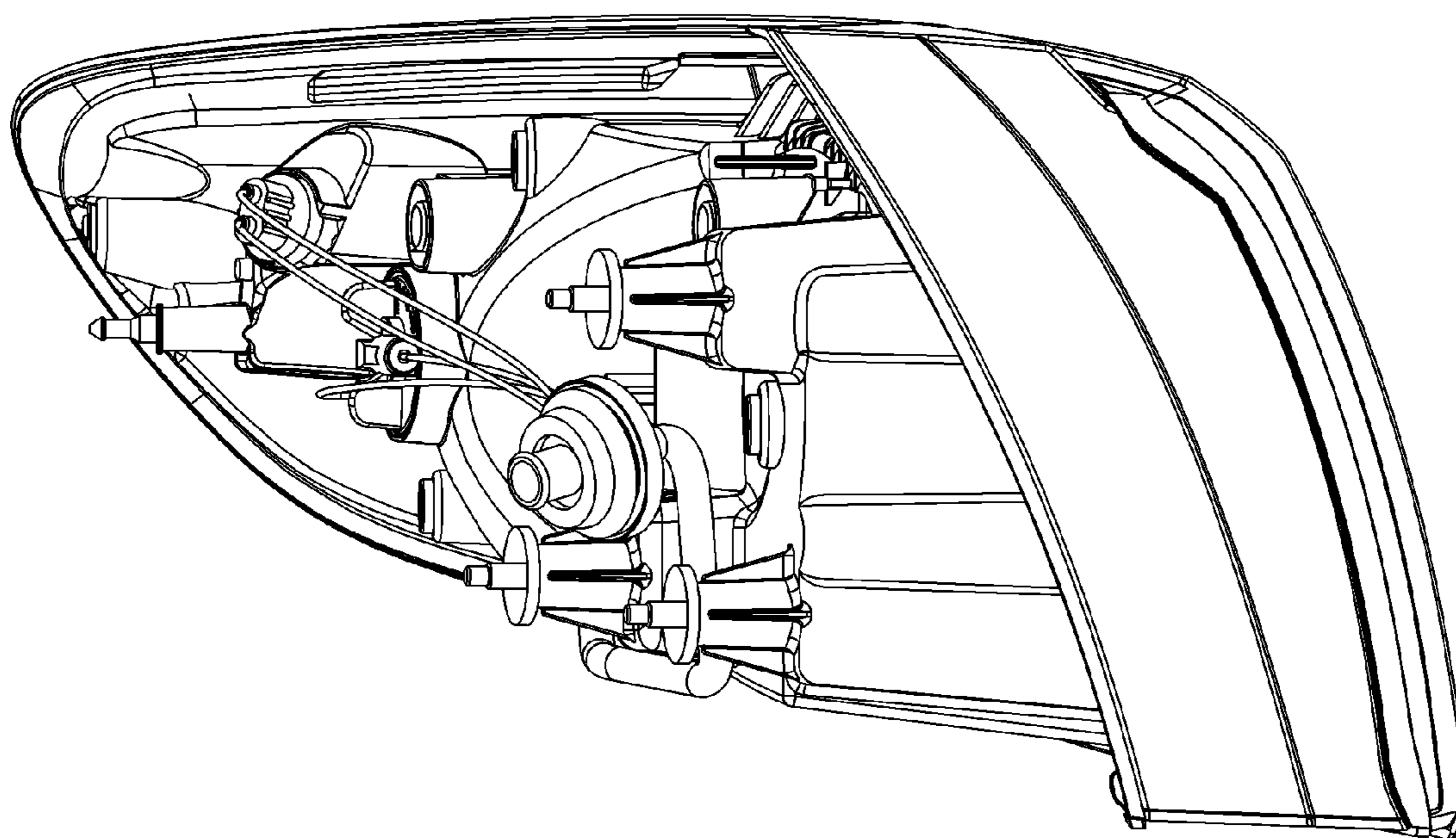


FIG. 5

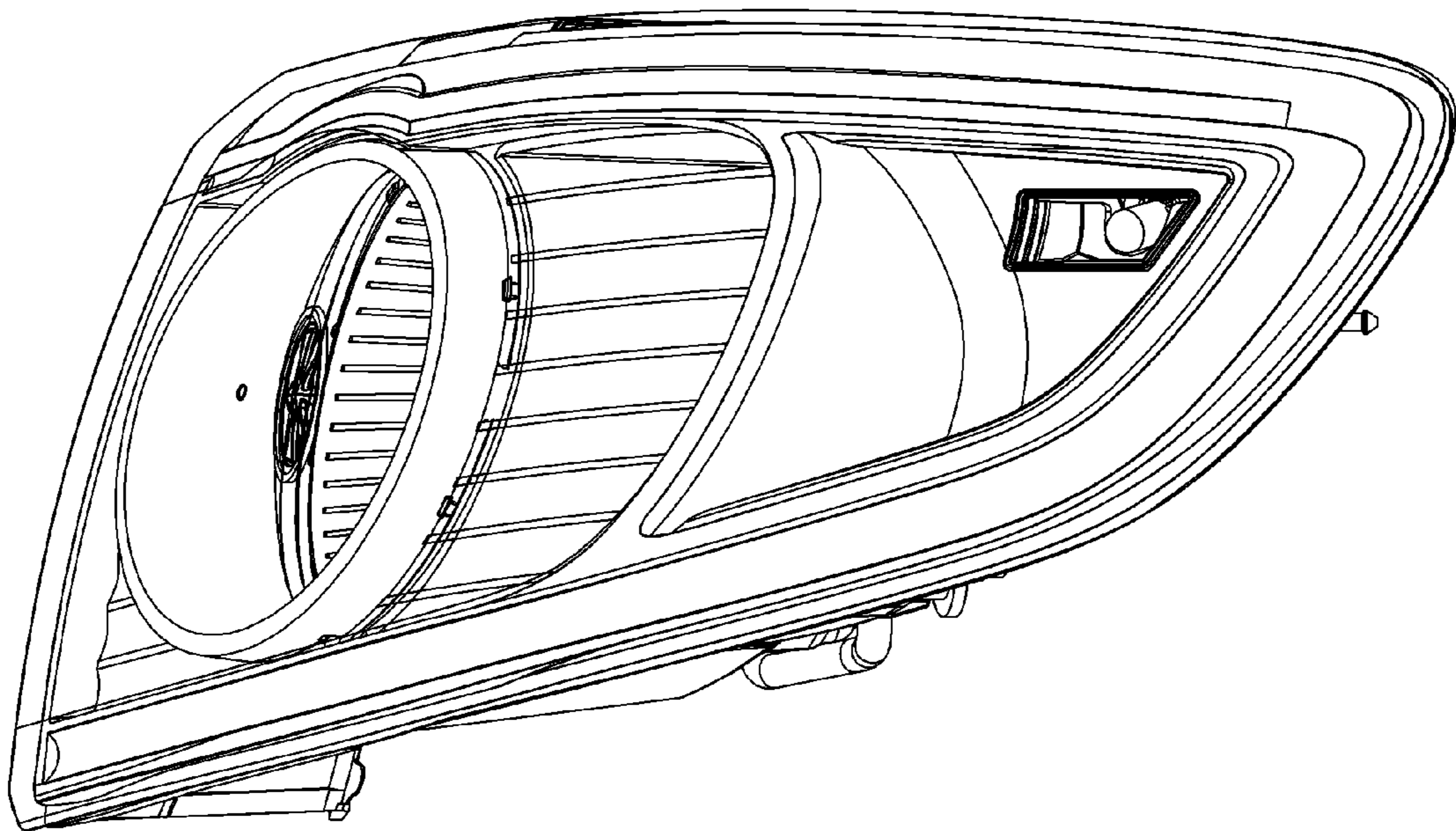


FIG. 6

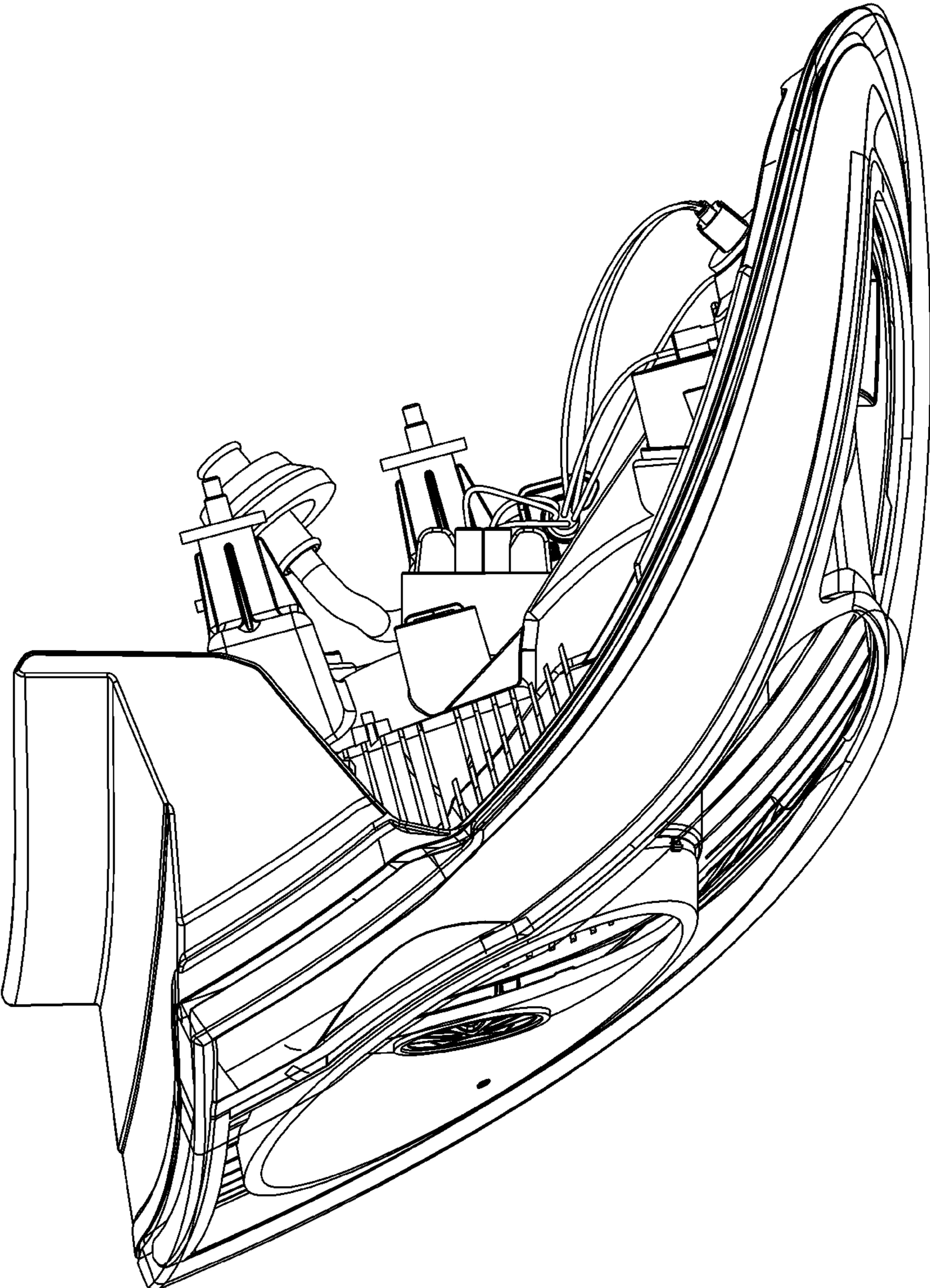


FIG. 7

