



US00D618832S

(12) **United States Design Patent**
Choi

(10) **Patent No.:** **US D618,832 S**
(45) **Date of Patent:** **** Jun. 29, 2010**

- (54) **SLIM POWER FAILURE LIGHT**
 - (75) Inventor: **Taiwon Choi**, Chicago, IL (US)
 - (73) Assignee: **American Tack and Hardware Co., Inc.**, Saddle River, NJ (US)
 - (**) Term: **14 Years**
 - (21) Appl. No.: **29/337,241**
 - (22) Filed: **May 18, 2009**
 - (51) **LOC (9) Cl.** **26-05**
 - (52) **U.S. Cl.** **D26/26**
 - (58) **Field of Classification Search** D26/24,
D26/26, 37, 38, 39, 54, 72, 88, 113, 118,
D26/127, 101, 73, 96, 125; D23/366, 367,
D23/369; 362/640, 641, 642, 643, 644, 652,
362/653, 657, 658, 659, 147, 810, 103, 104,
362/105, 157, 190, 191, 249.1, 249.11, 311.01,
362/311.04, 311.05, 311.13, 311.14, 806;
D10/5, 15
- See application file for complete search history.

- D431,660 S * 10/2000 Yuen D26/26
- D452,336 S * 12/2001 Liu et al. D26/26
- D485,631 S * 1/2004 Campman D26/39
- D487,941 S * 3/2004 Campman D26/39
- D496,476 S * 9/2004 Garrity et al. D26/26
- D587,830 S * 3/2009 Ma D26/37
- D604,435 S * 11/2009 Kingston et al. D26/37

* cited by examiner

Primary Examiner—Jennifer Rivard

Assistant Examiner—Angela J Lee

(74) *Attorney, Agent, or Firm*—Hedman & Costigan, P.C.;
Kathleen A. Costigan

(57) **CLAIM**

The ornamental design for a slim power failure light, as shown and described.

DESCRIPTION

FIG. 1 is a top, front and right side perspective view of a slim power failure light showing my new design;

FIG. 2 is a front elevational view thereof;

FIG. 3 is a left side elevational view thereof;

FIG. 4 is a bottom plan view thereof;

FIG. 5 is a top plan view thereof;

FIG. 6 is a rear elevational view thereof; and,

FIG. 7 is a right side elevational view thereof.

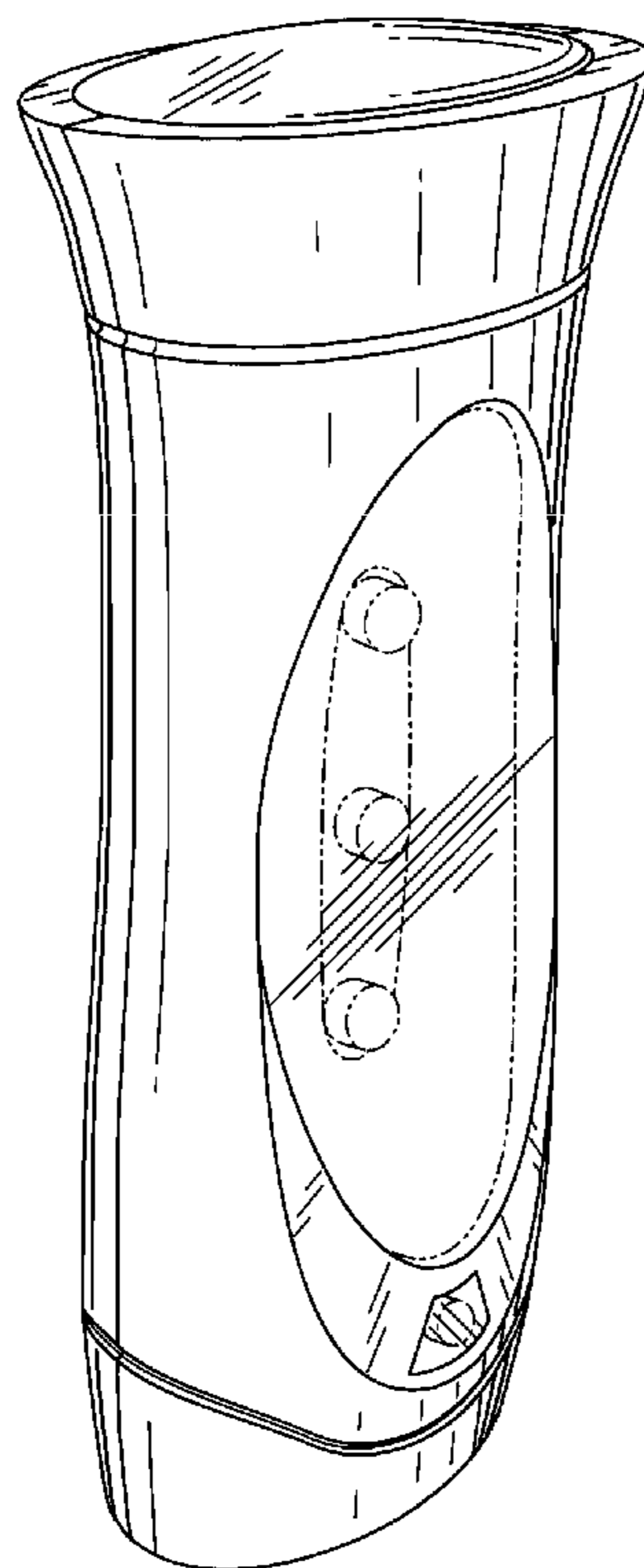
The portions shown in broken lines form no part of the claimed design.

(56) **References Cited**

U.S. PATENT DOCUMENTS

- D284,707 S * 7/1986 Tanaka D26/37
- D285,008 S * 8/1986 Schwartz D26/26
- 4,611,266 A * 9/1986 Schwartz 362/641
- D291,125 S * 7/1987 Fenne D26/26
- D293,607 S * 1/1988 Schwartz D26/26
- D430,945 S * 9/2000 Ham D26/26

1 Claim, 3 Drawing Sheets



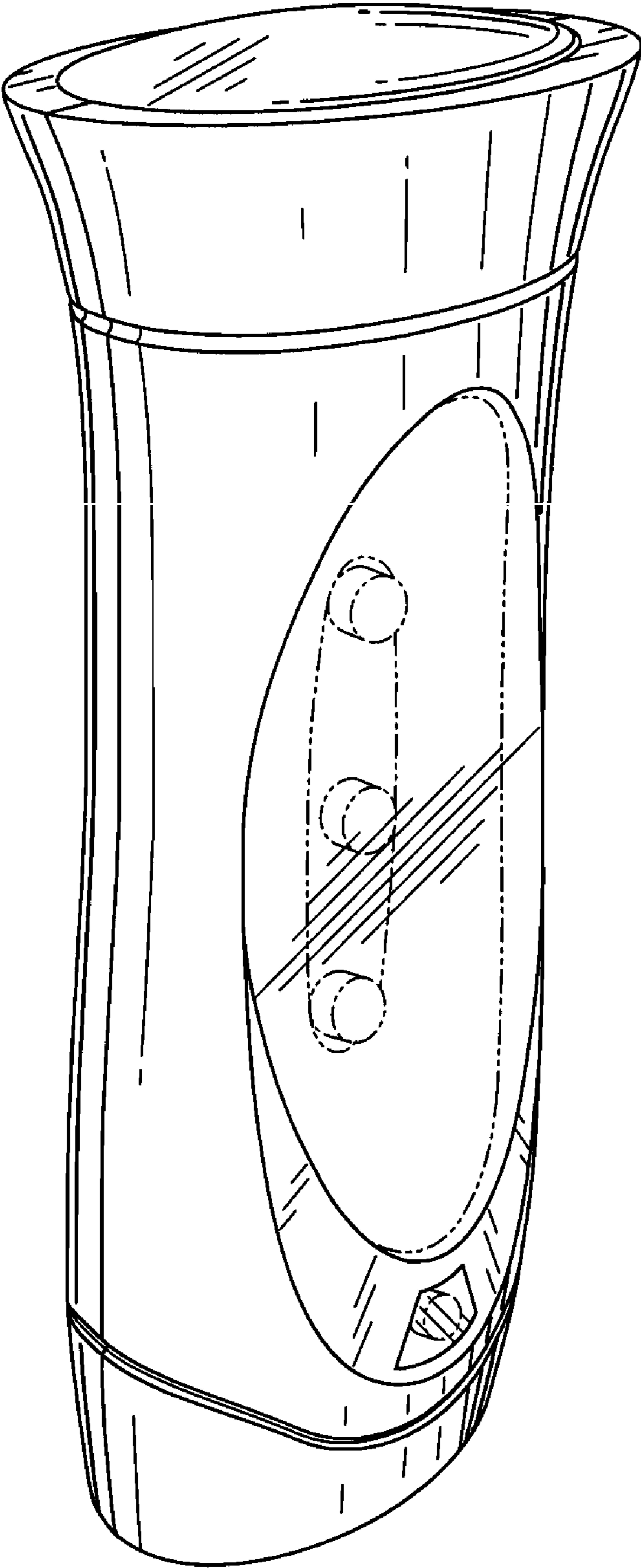


FIG. 1

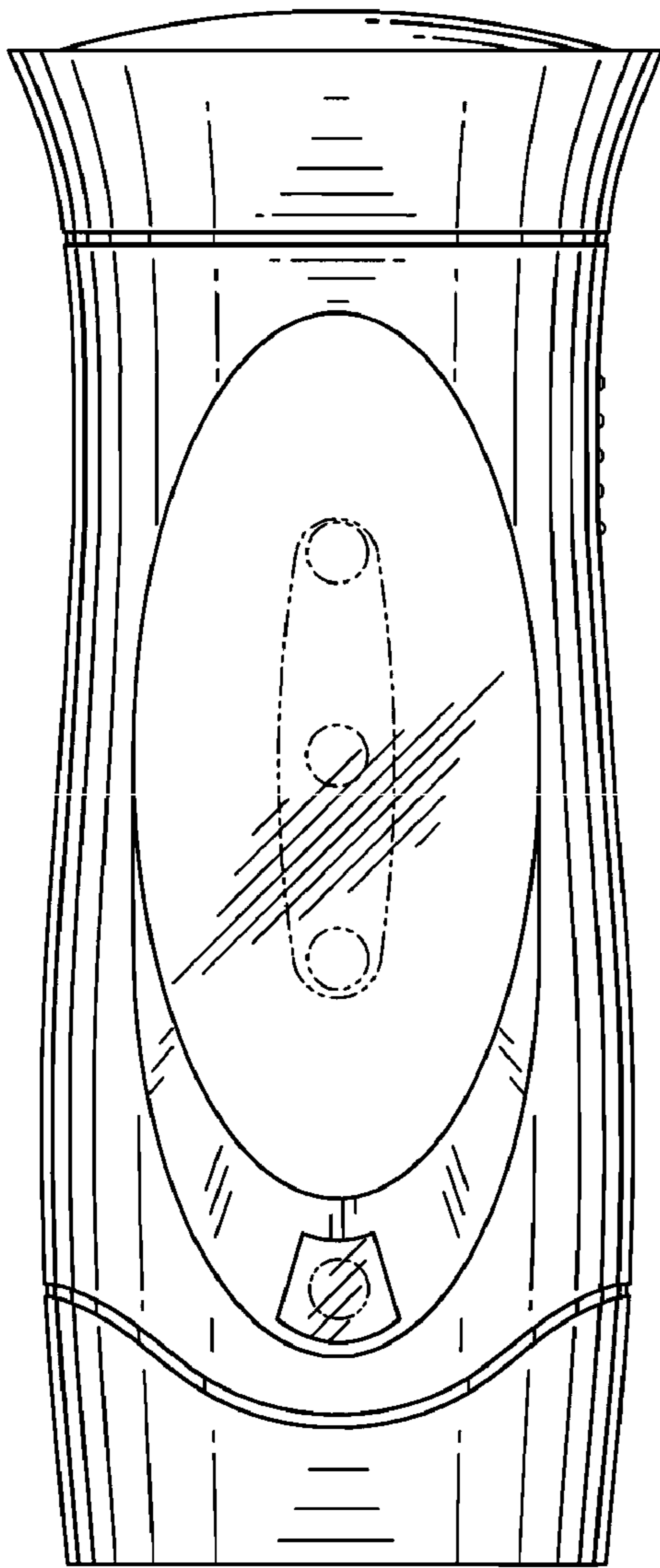


FIG. 2

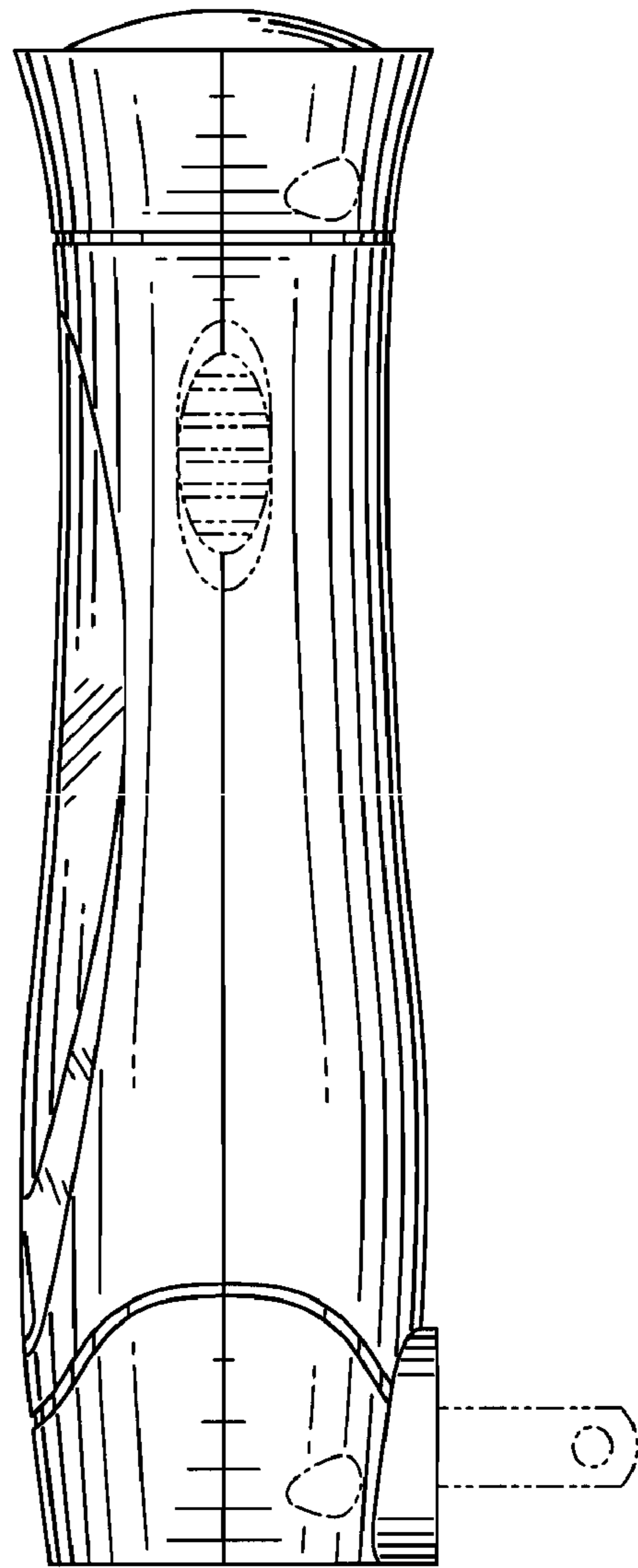


FIG. 3

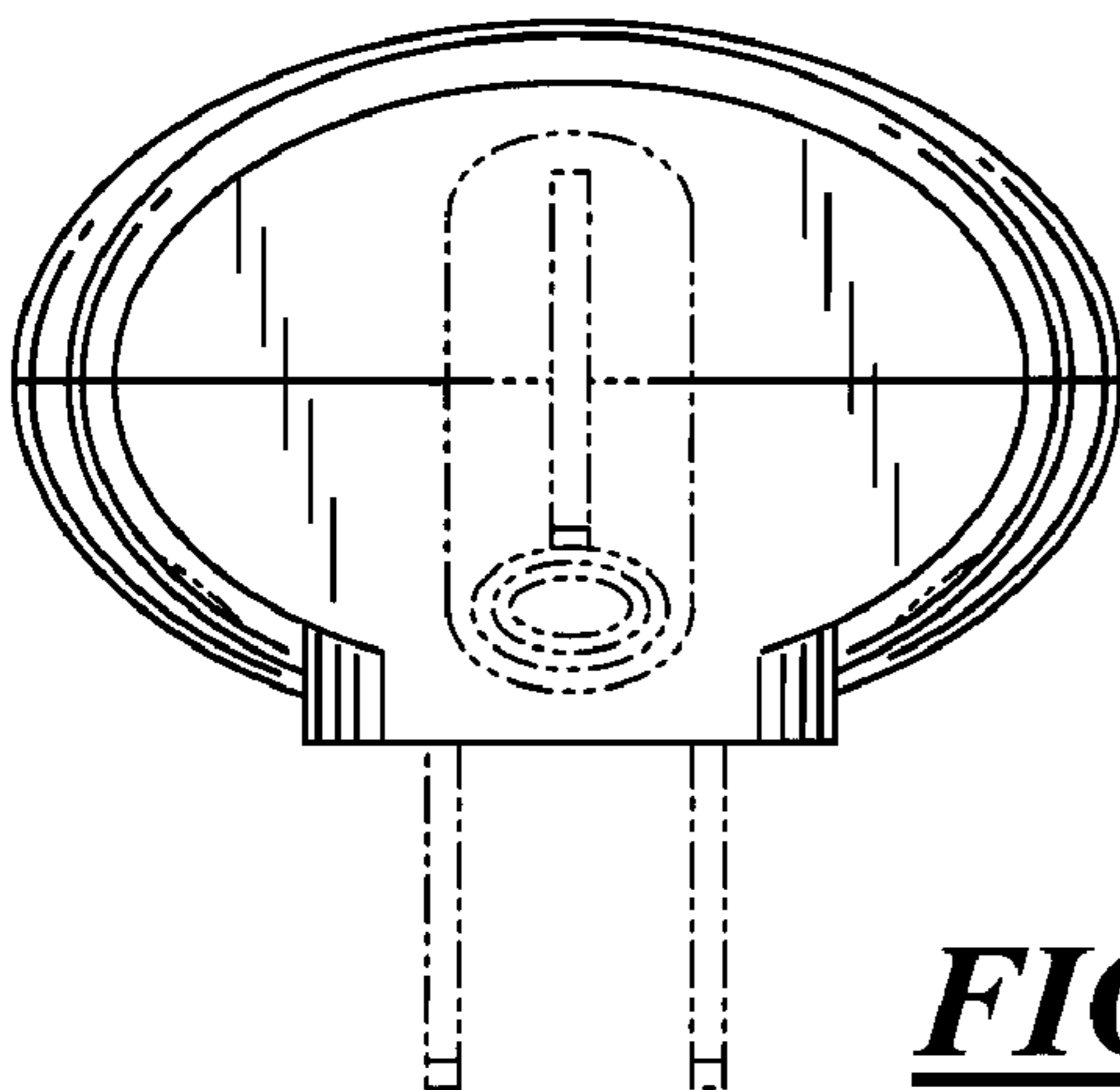


FIG. 4

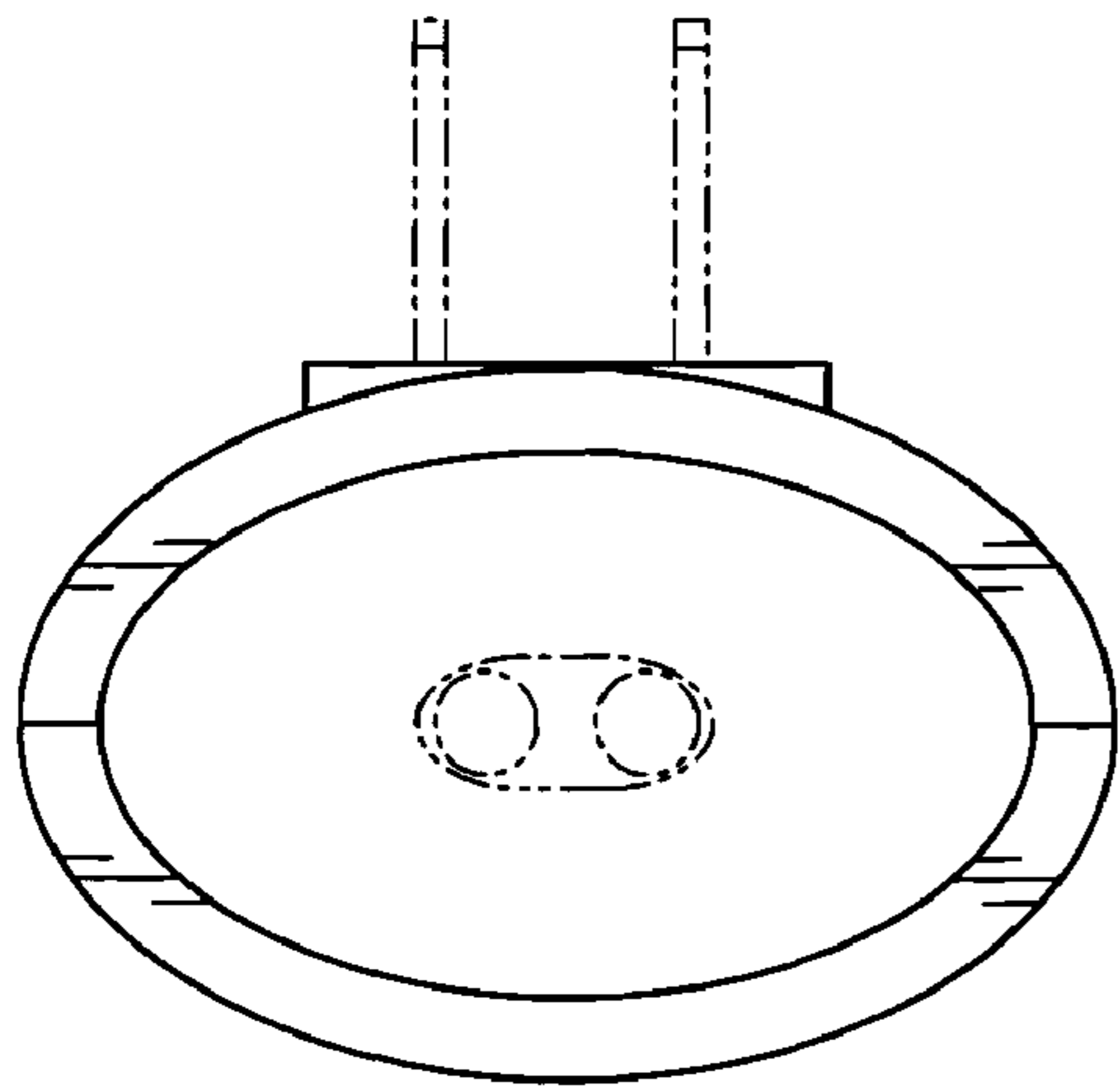


FIG. 5

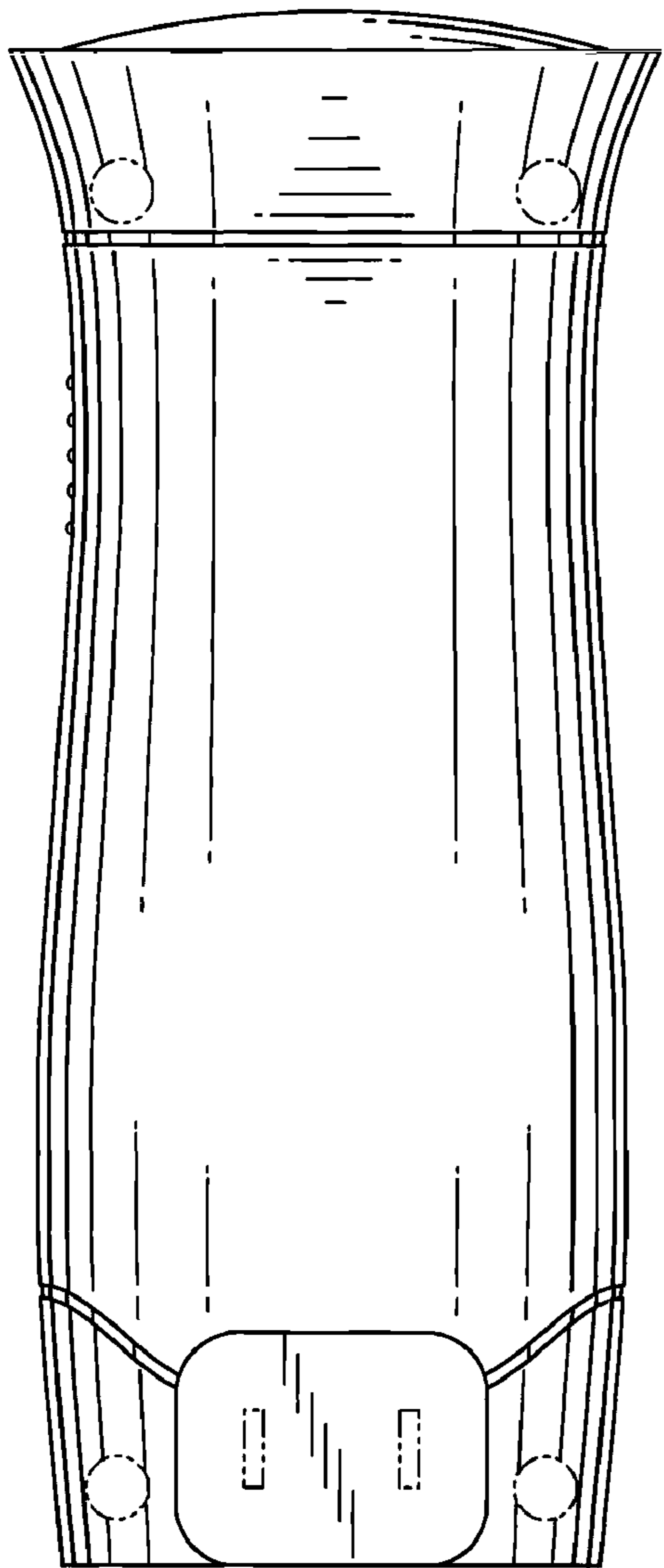


FIG. 6



FIG. 7