



US00D618831S

(12) **United States Design Patent**
Pennington

(10) **Patent No.:** **US D618,831 S**
(45) **Date of Patent:** **** Jun. 29, 2010**

(54) **UTILITY LIGHT**

(75) Inventor: **Stephen Pennington**, Chicago, IL (US)

(73) Assignee: **American Tack & Hardware Co., Inc.**,
Saddle River, NJ (US)

(**) Term: **14 Years**

(21) Appl. No.: **29/337,229**

(22) Filed: **May 18, 2009**

(51) **LOC (9) Cl.** **26-05**

(52) **U.S. Cl.** **D26/26**

(58) **Field of Classification Search** D26/24,
D26/26, 37, 38, 39, 54, 72, 88, 113, 118,
D26/127, 101, 73, 96, 125; D23/366, 367,
D23/369; 362/640, 641, 642, 643, 644, 652,
362/653, 657, 658, 659, 147, 810, 103, 104,
362/105, 157, 190, 191, 249.1, 249.11, 311.01,
362/311.04, 311.05, 311.13, 311.14, 806;
D10/5, 15

See application file for complete search history.

(56) **References Cited**

U.S. PATENT DOCUMENTS

D409,740 S * 5/1999 Gallagher et al. D23/366
D426,328 S * 6/2000 Yuen D26/26
D426,658 S * 6/2000 Yuen D26/26
D430,945 S * 9/2000 Ham D26/26
D431,660 S * 10/2000 Yuen D26/26
D434,863 S * 12/2000 Boessel D26/26

D444,248 S * 6/2001 Boessel D26/26
D496,476 S * 9/2004 Garrity et al. D26/26
D567,430 S * 4/2008 Kingston et al. D26/104
D567,919 S * 4/2008 McDonnell D23/366
D604,435 S * 11/2009 Kingston et al. D26/37
2006/0034070 A1 * 2/2006 Kovacic et al. 362/157

* cited by examiner

Primary Examiner—Jennifer Rivard

Assistant Examiner—Angela J Lee

(74) *Attorney, Agent, or Firm*—Hedman & Costigan;
Kathleen A. Costigan

(57) **CLAIM**

The ornamental design for a utility light, as shown and described.

DESCRIPTION

FIG. 1 is a top, front and right side perspective view of a utility light showing my new design;

FIG. 2 is a front elevational view thereof;

FIG. 3 is a left side elevational view thereof;

FIG. 4 is a bottom plan view thereof;

FIG. 5 is a top plan view thereof;

FIG. 6 is a rear elevational view thereof; and,

FIG. 7 is a right side elevational view thereof.

The portions shown in broken lines form no part of the claimed design.

1 Claim, 3 Drawing Sheets



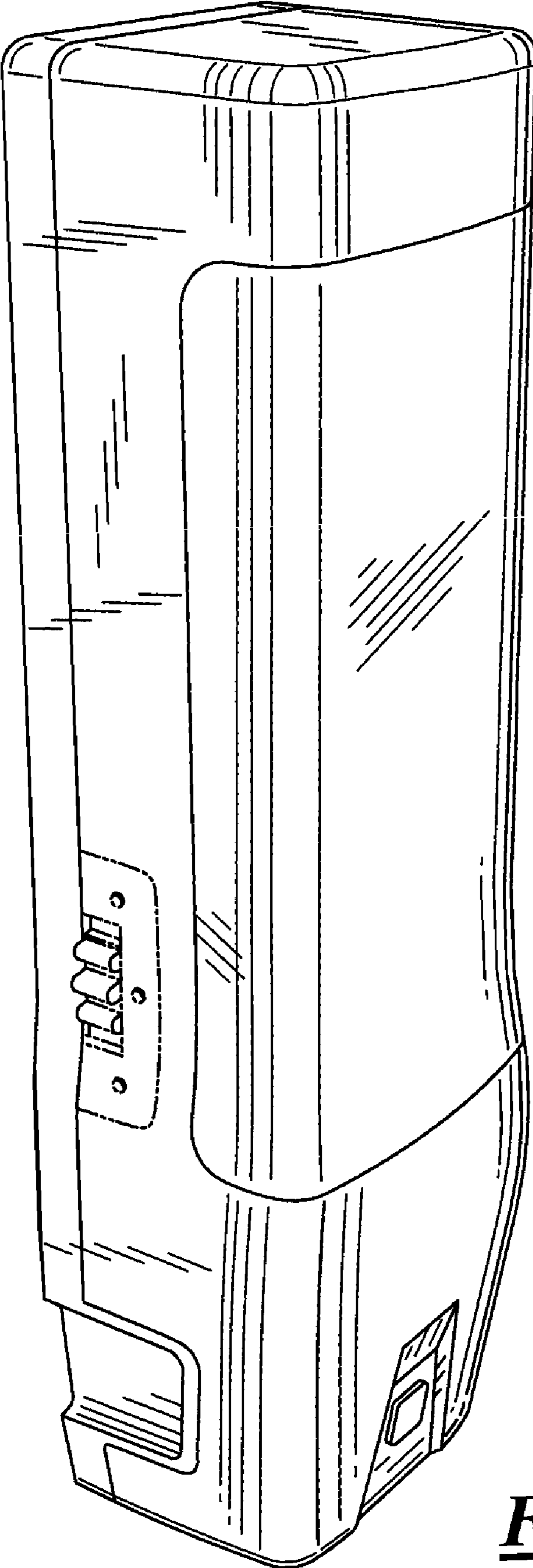


FIG. 1

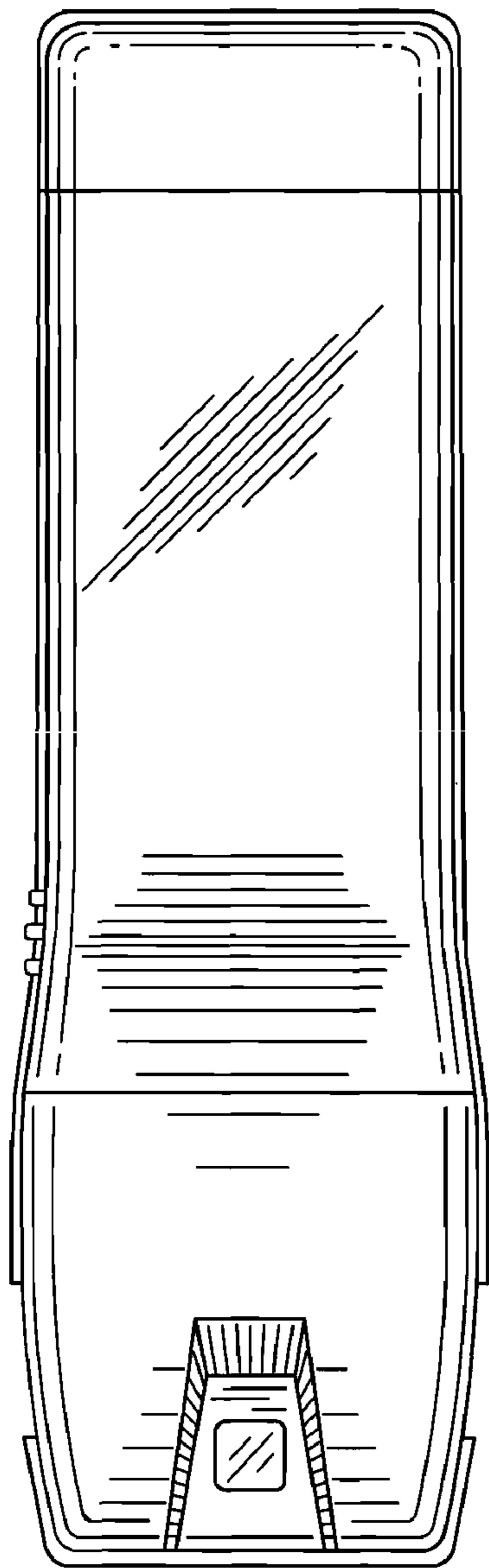


FIG. 2

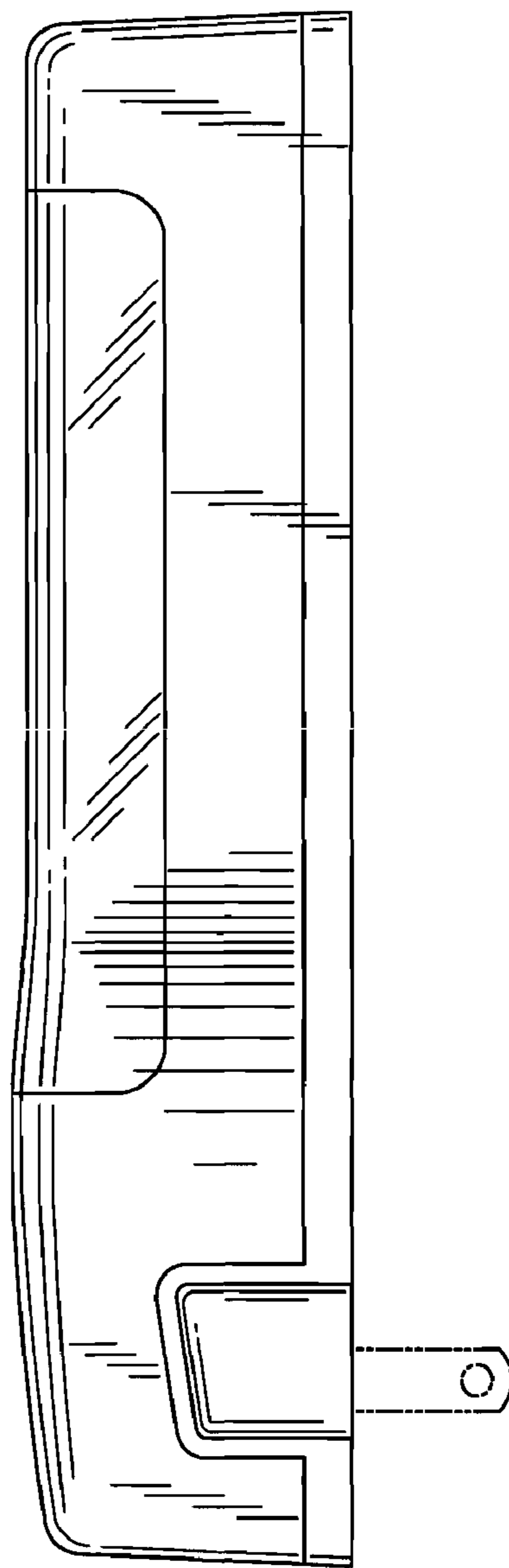


FIG. 3

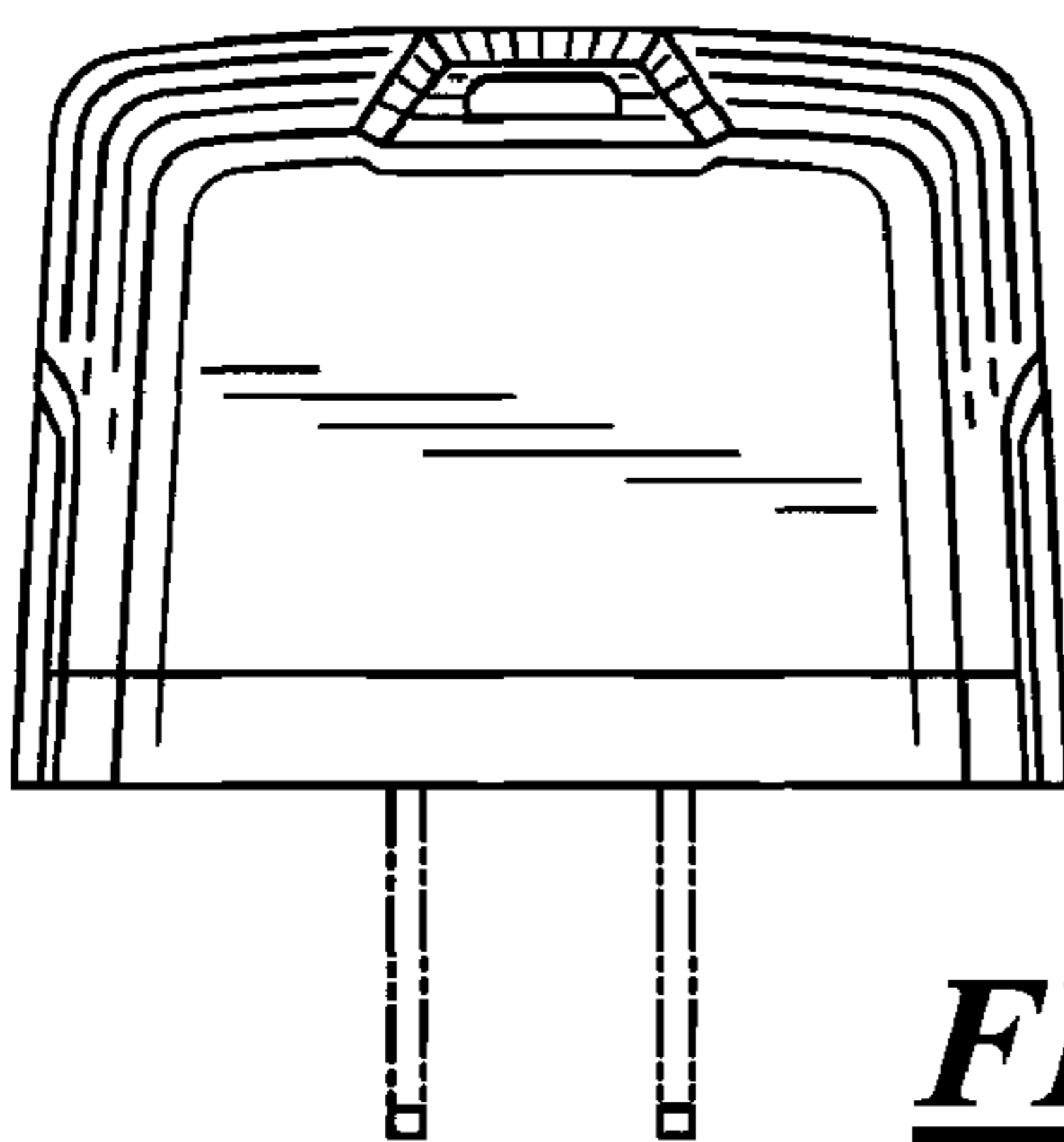


FIG. 4

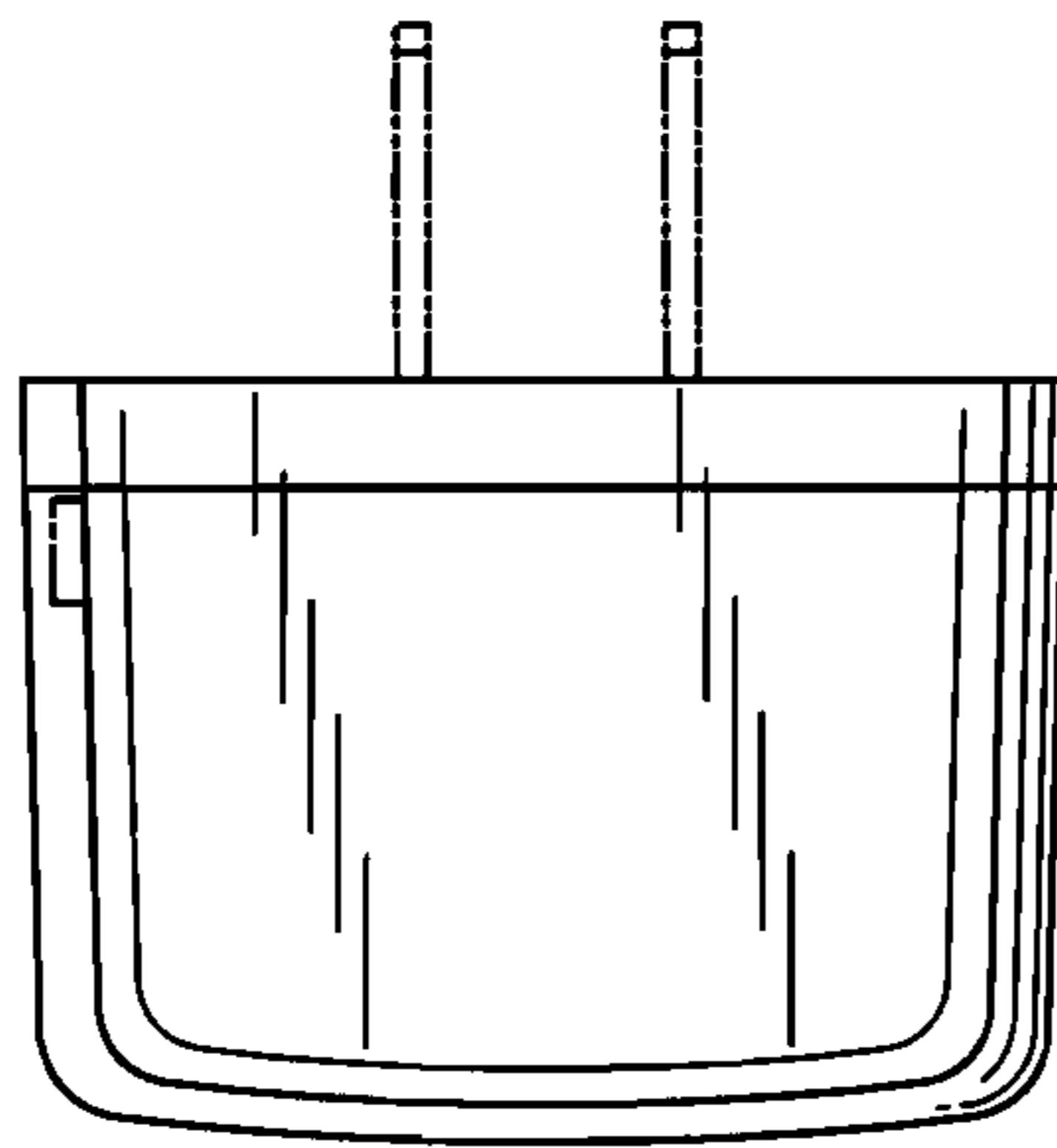


FIG. 5

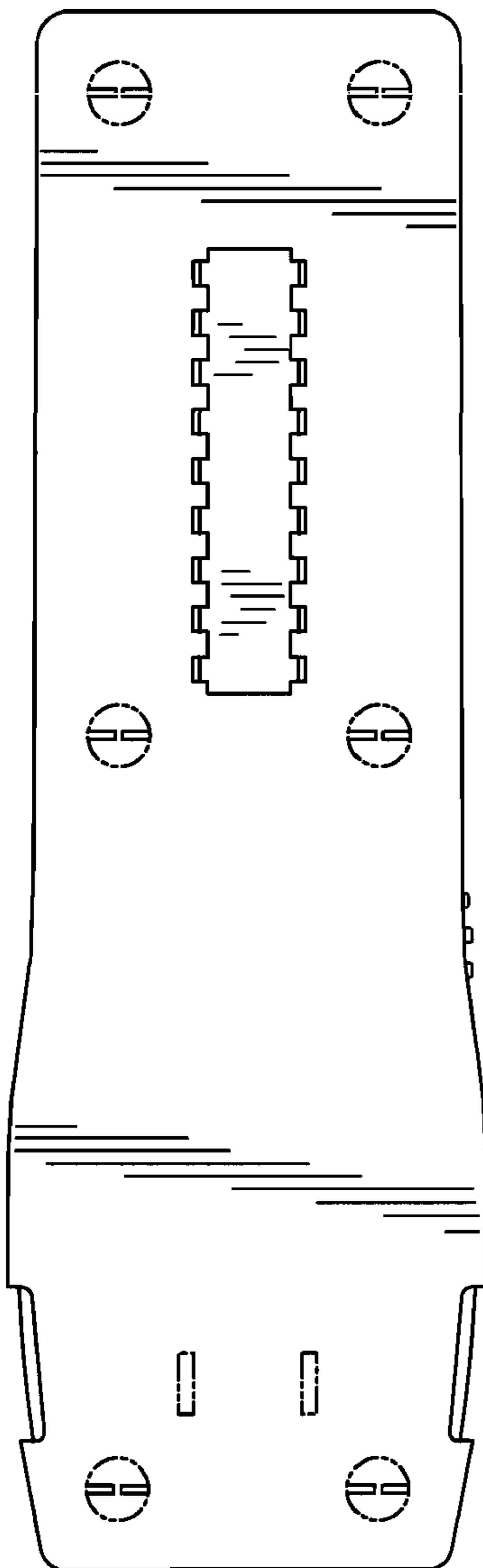


FIG. 6

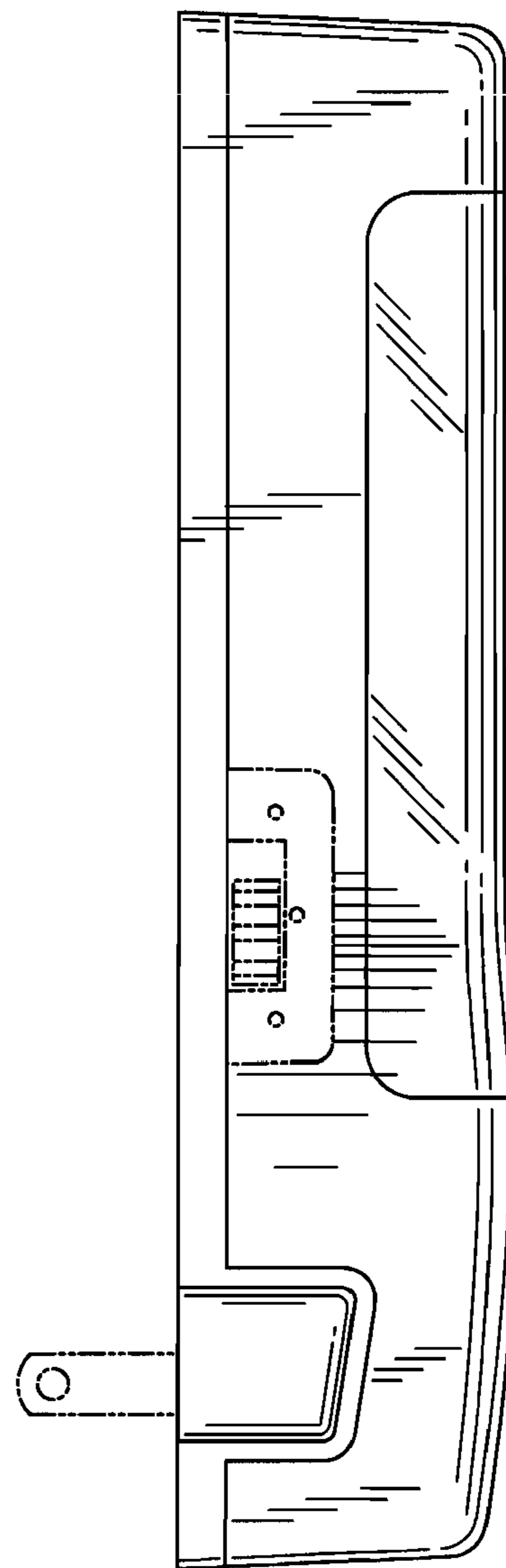


FIG. 7