



US00D618830S

(12) **United States Design Patent**
Choi

(10) **Patent No.:** **US D618,830 S**
(45) **Date of Patent:** **** Jun. 29, 2010**

(54) **NIGHT LIGHT**

(75) Inventor: **Taiwon Choi**, Chicago, IL (US)

(73) Assignee: **American Tack & Hardware Co., Inc.**,
Saddle River, NJ (US)

(**) Term: **14 Years**

(21) Appl. No.: **29/336,540**

(22) Filed: **May 5, 2009**

(51) **LOC (9) Cl.** **26-04**

(52) **U.S. Cl.** **D26/26**

(58) **Field of Classification Search** D26/24,
D26/26, 37, 38, 39, 54, 72, 88, 113, 118,
D26/127, 101, 73, 96, 125; D23/366, 367,
D23/369; 362/640, 641, 642, 643, 644, 652,
362/653, 657, 658, 659, 147, 810, 103, 104,
362/105, 157, 190, 191, 249.1, 249.11, 311.01,
362/311.04, 311.05, 311.13, 311.14, 806;
D10/5, 15

See application file for complete search history.

(56) **References Cited**

U.S. PATENT DOCUMENTS

- D367,087 S * 2/1996 Mathews D21/483
- D436,398 S * 1/2001 Steiner D23/366
- D457,667 S * 5/2002 Piegras et al. D26/26
- D457,974 S * 5/2002 Piegras et al. D26/26
- D476,428 S * 6/2003 Stekelenburg D26/26

- D524,457 S * 7/2006 Chan D26/26
- D524,458 S * 7/2006 Chan D26/26
- D536,805 S * 2/2007 Yuen D26/26
- D543,613 S * 5/2007 Holekamp D23/366
- D546,433 S * 7/2007 Wu D23/366
- D575,384 S * 8/2008 Huang D23/366

* cited by examiner

Primary Examiner—Jennifer Rivard

Assistant Examiner—Angela J Lee

(74) *Attorney, Agent, or Firm*—Hedman & Costigan, P.C.;
Kathleen A. Costigan

(57) **CLAIM**

The ornamental design for a night light, as shown and described.

DESCRIPTION

FIG. 1 is a front and right side perspective view of a night light showing my new design;

FIG. 2 is a front elevational view thereof;

FIG. 3 is a right side elevational view thereof, the left side being a mirror image thereof;

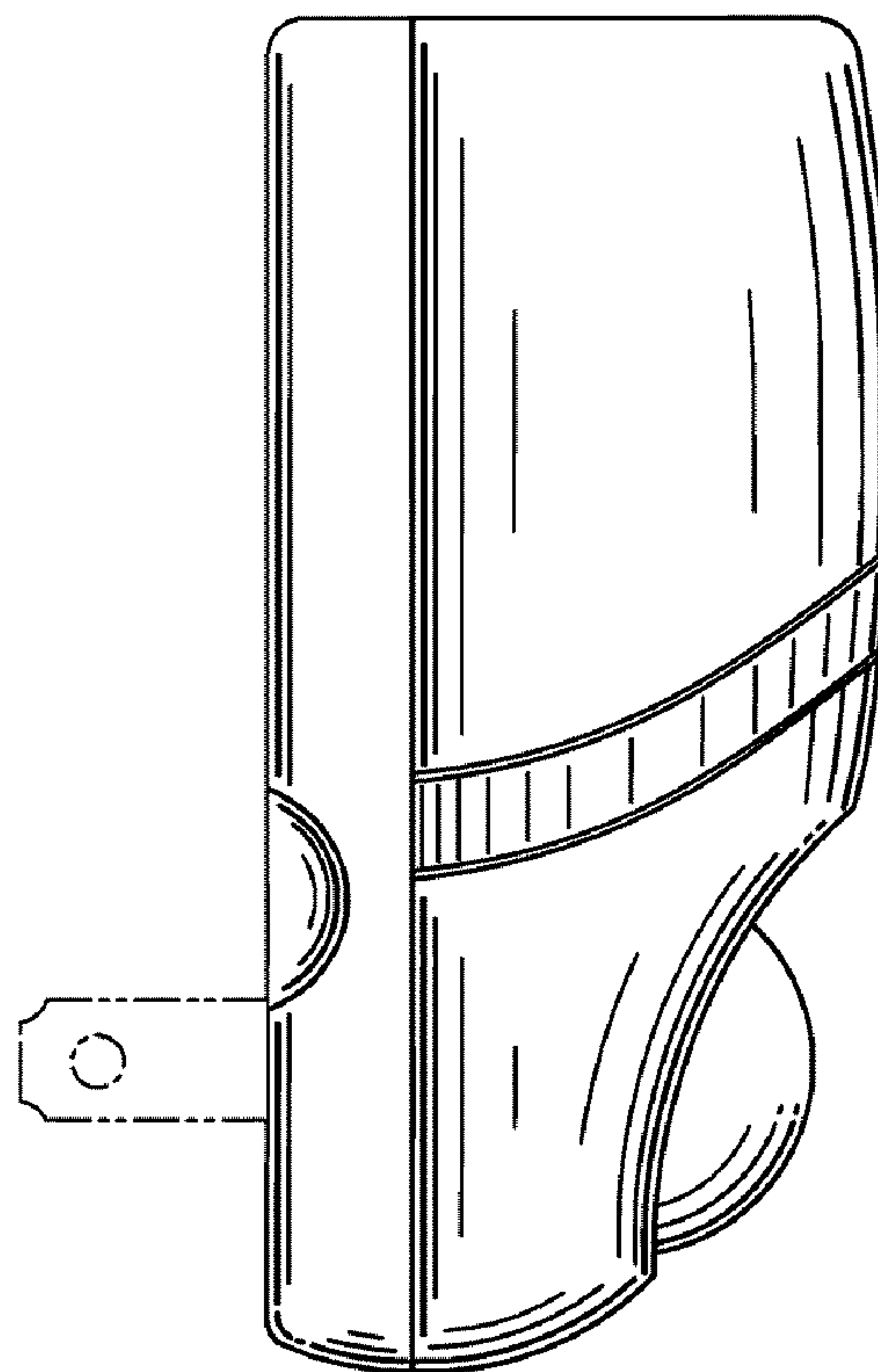
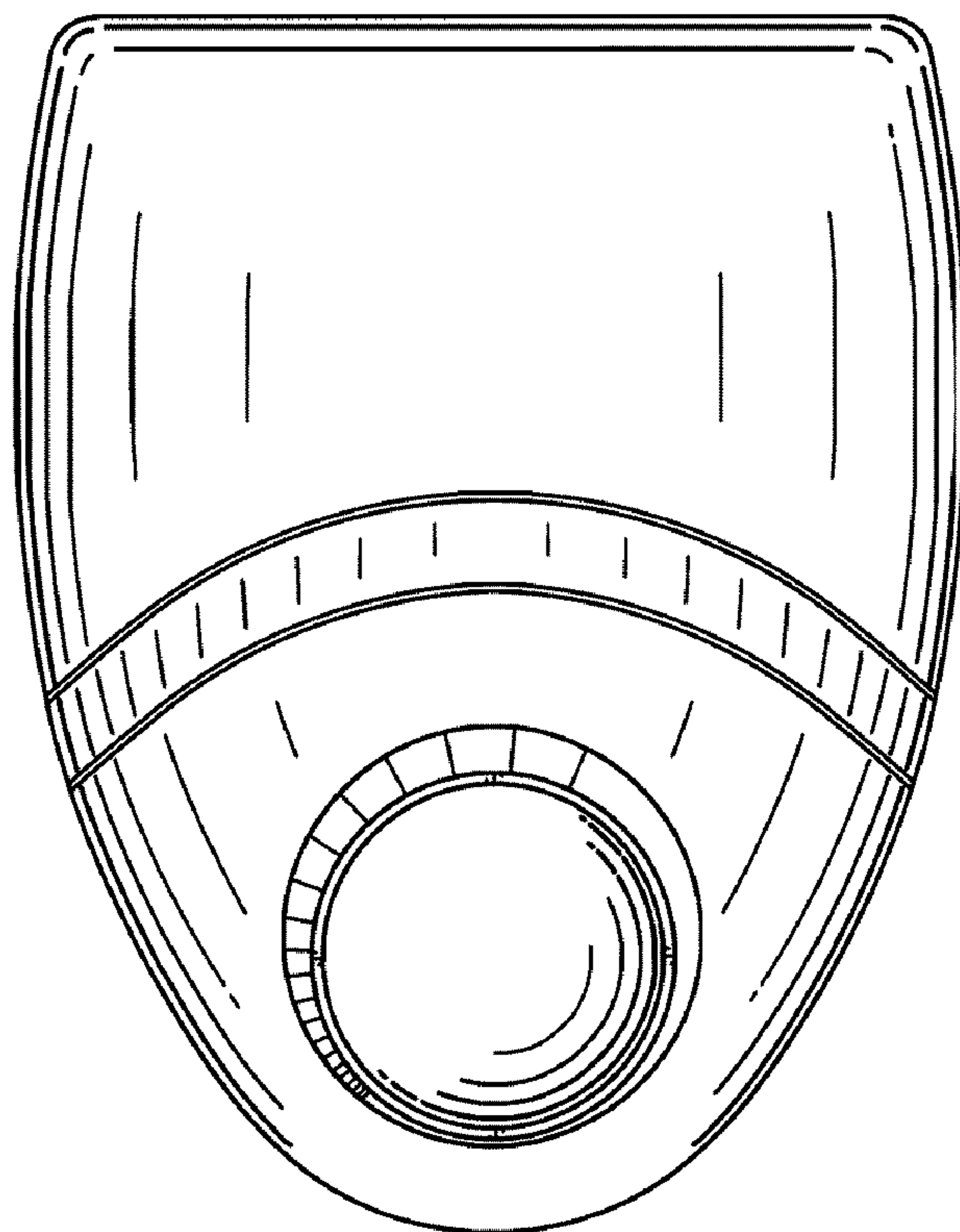
FIG. 4 is a bottom plan view thereof;

FIG. 5 is a rear elevational view thereof; and,

FIG. 6 is a top plan view thereof.

The portions shown in broken lines form no part of the claimed design.

1 Claim, 2 Drawing Sheets



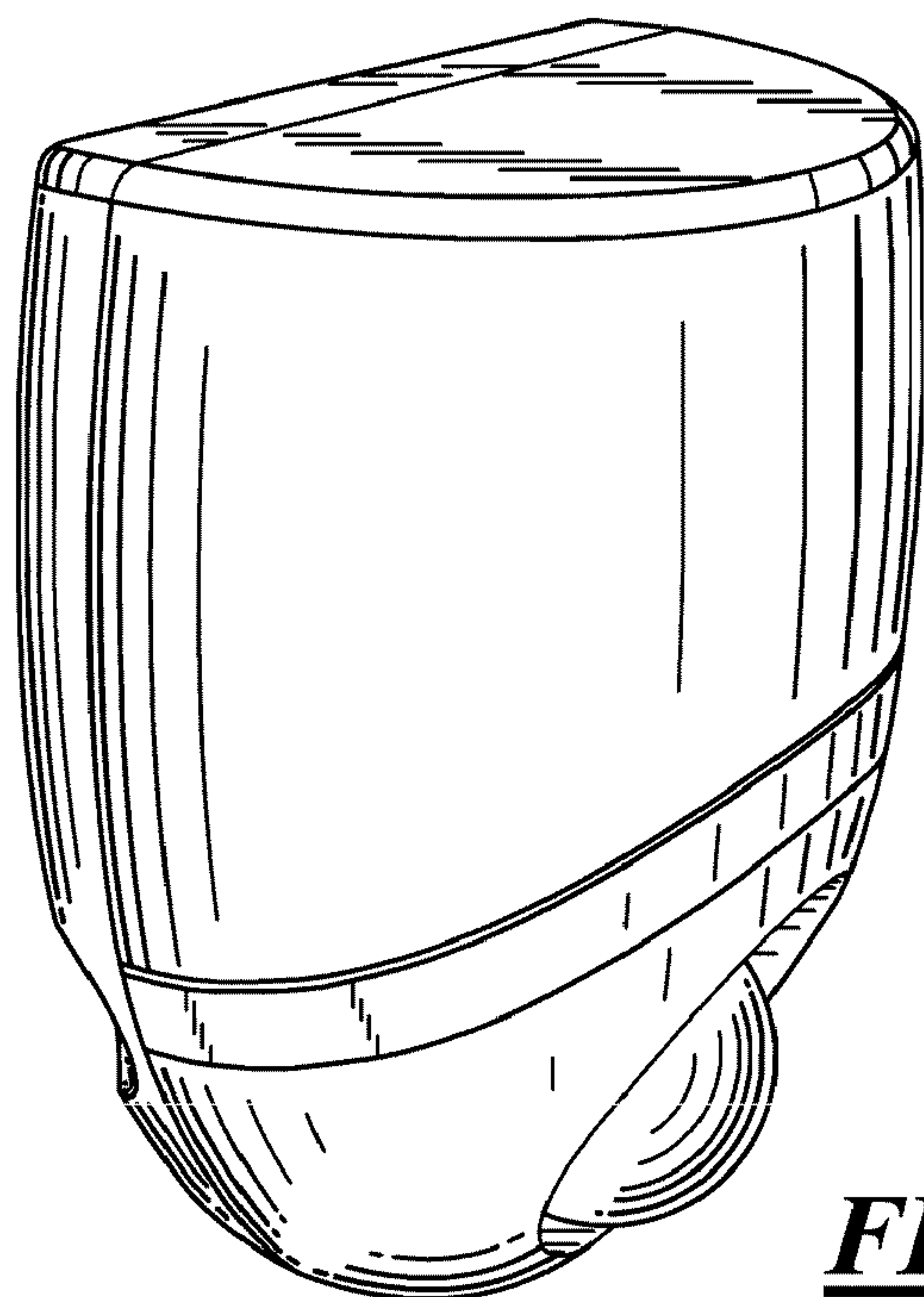


FIG. 1

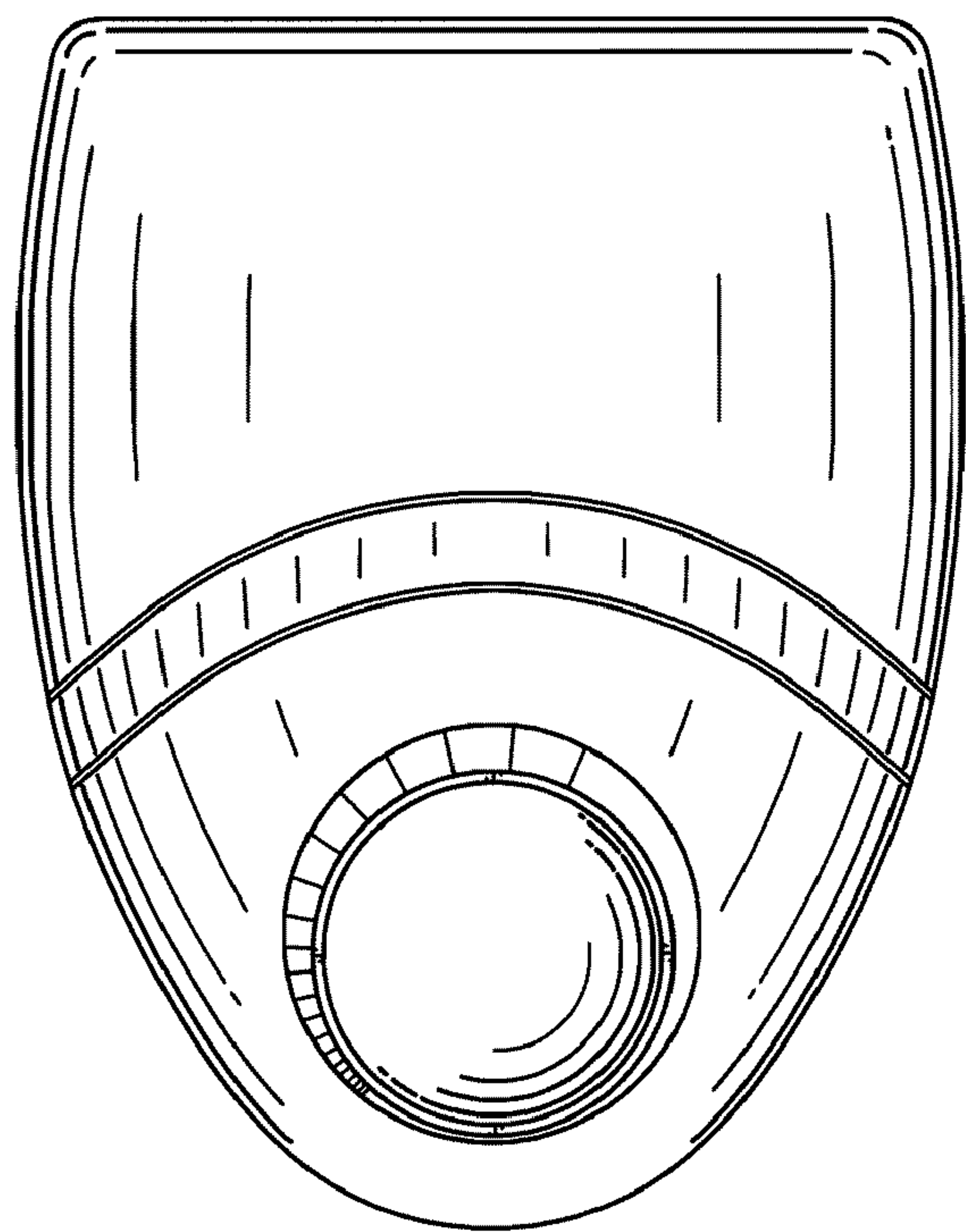


FIG. 2

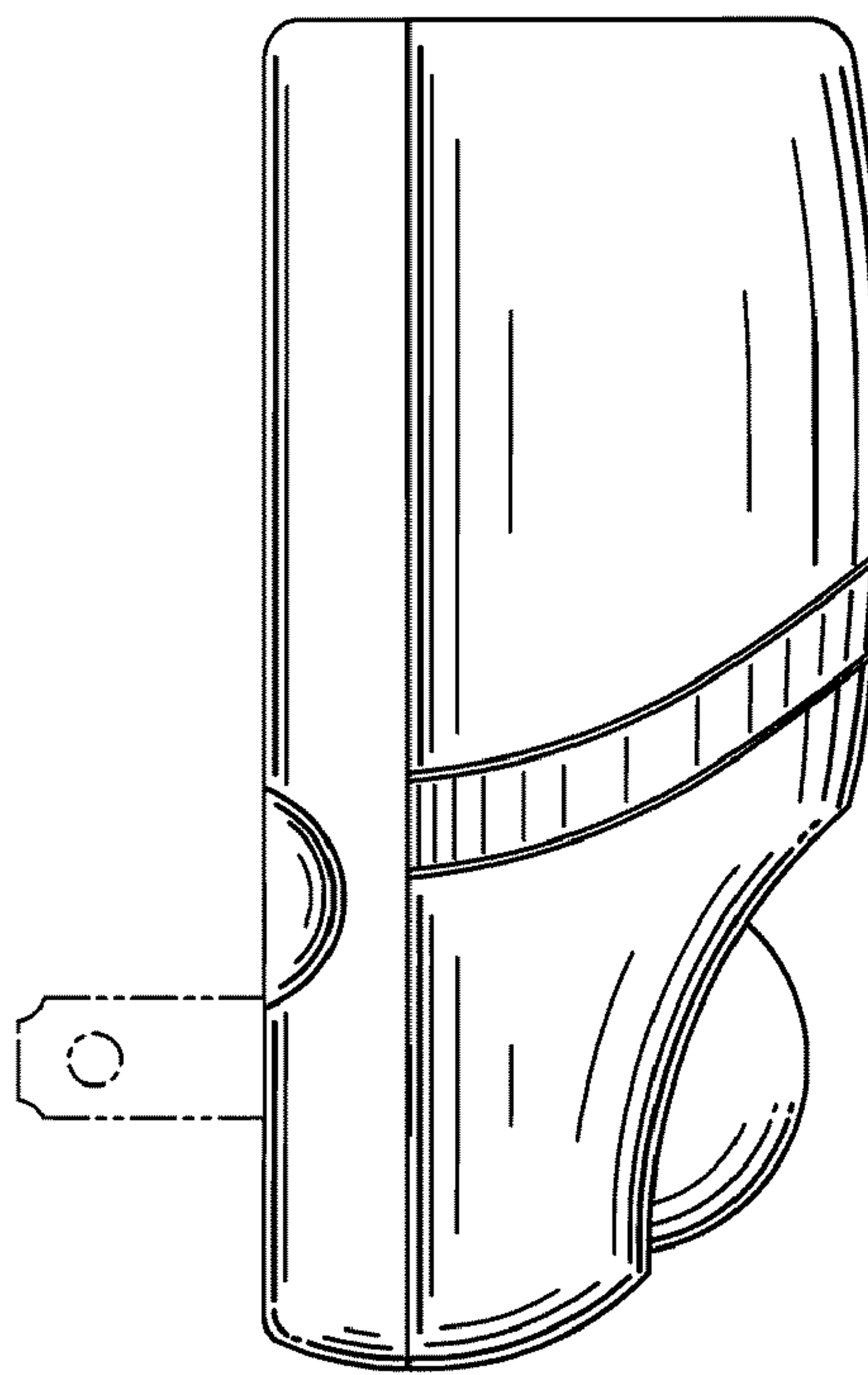


FIG. 3

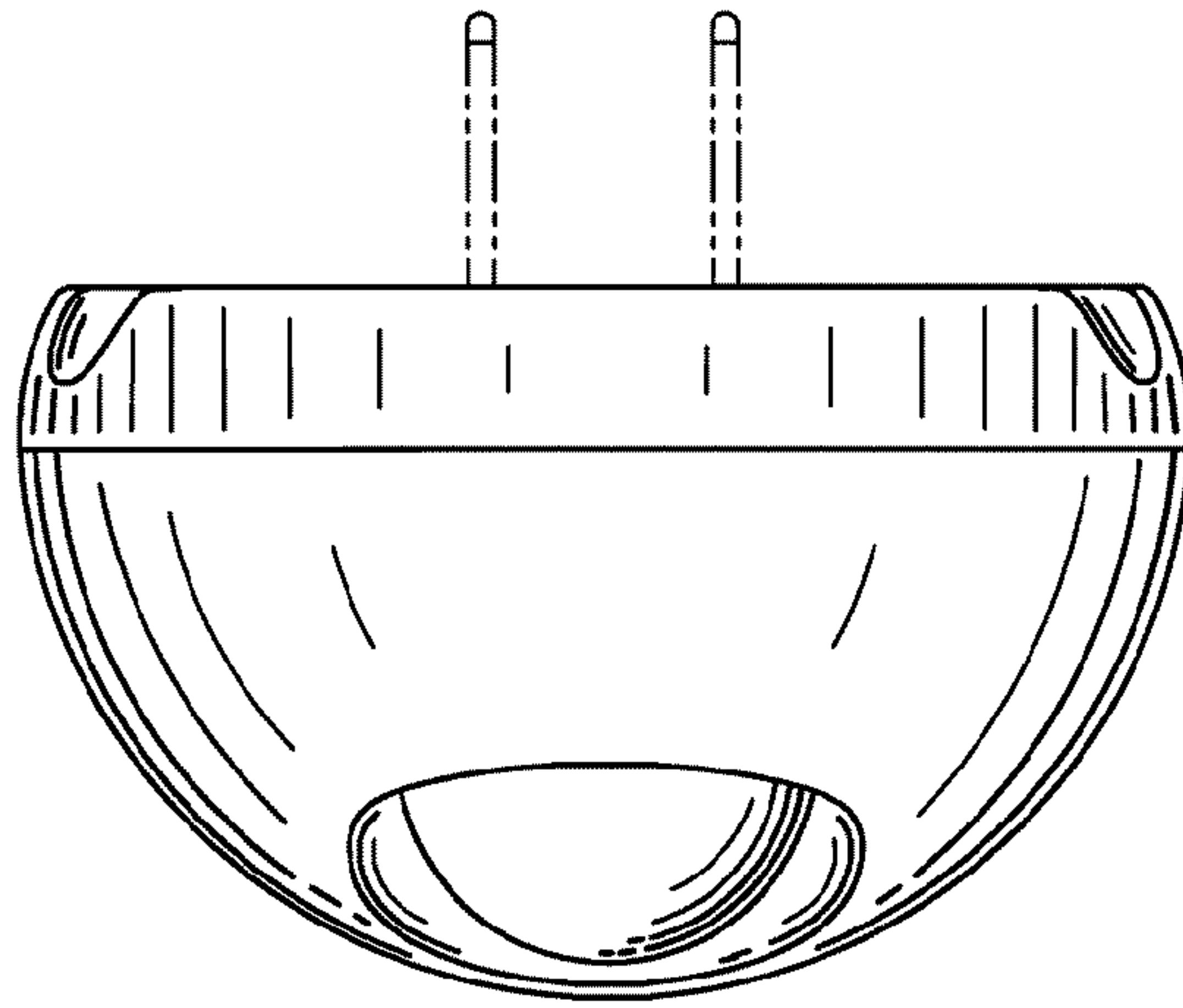


FIG. 4

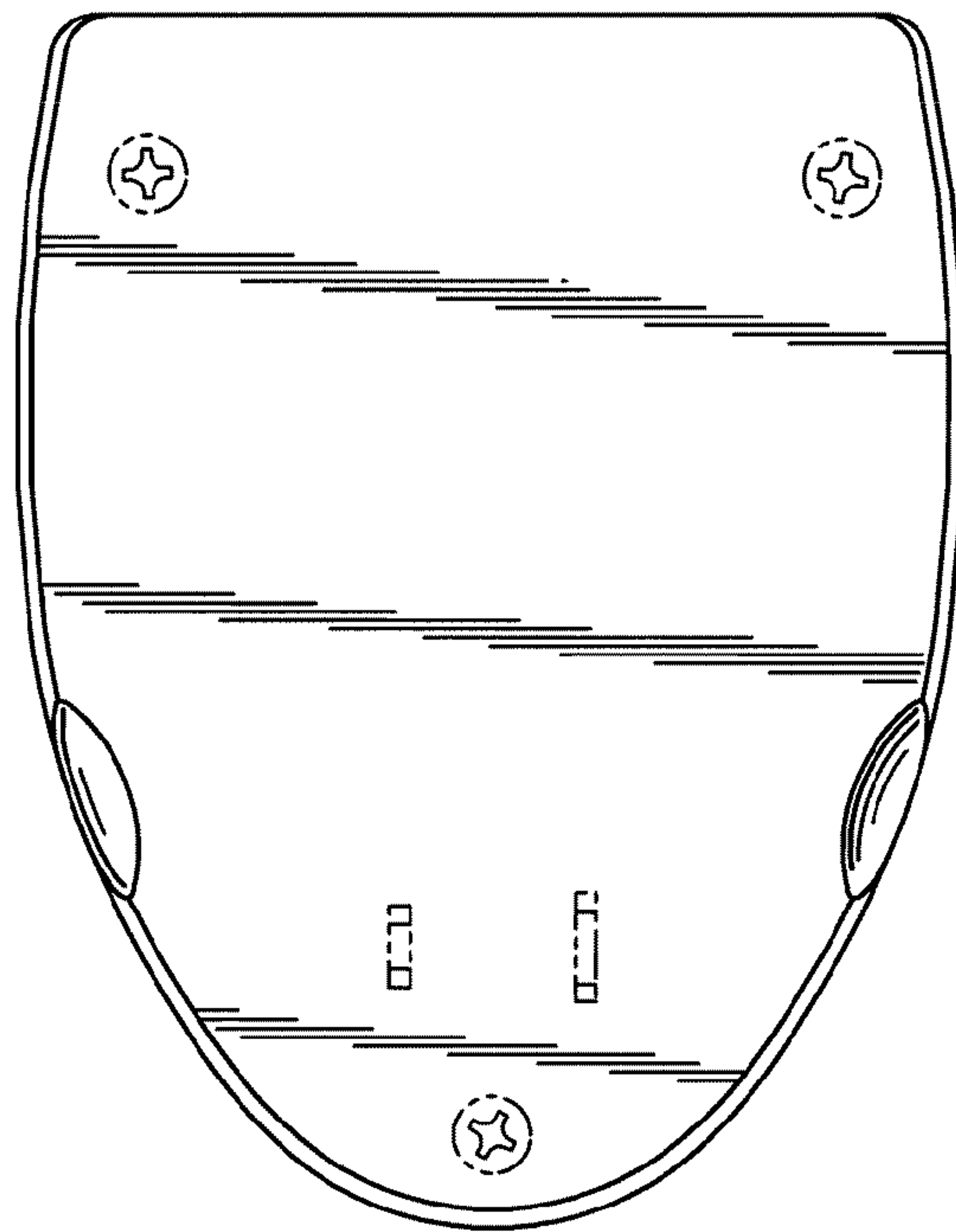


FIG. 5

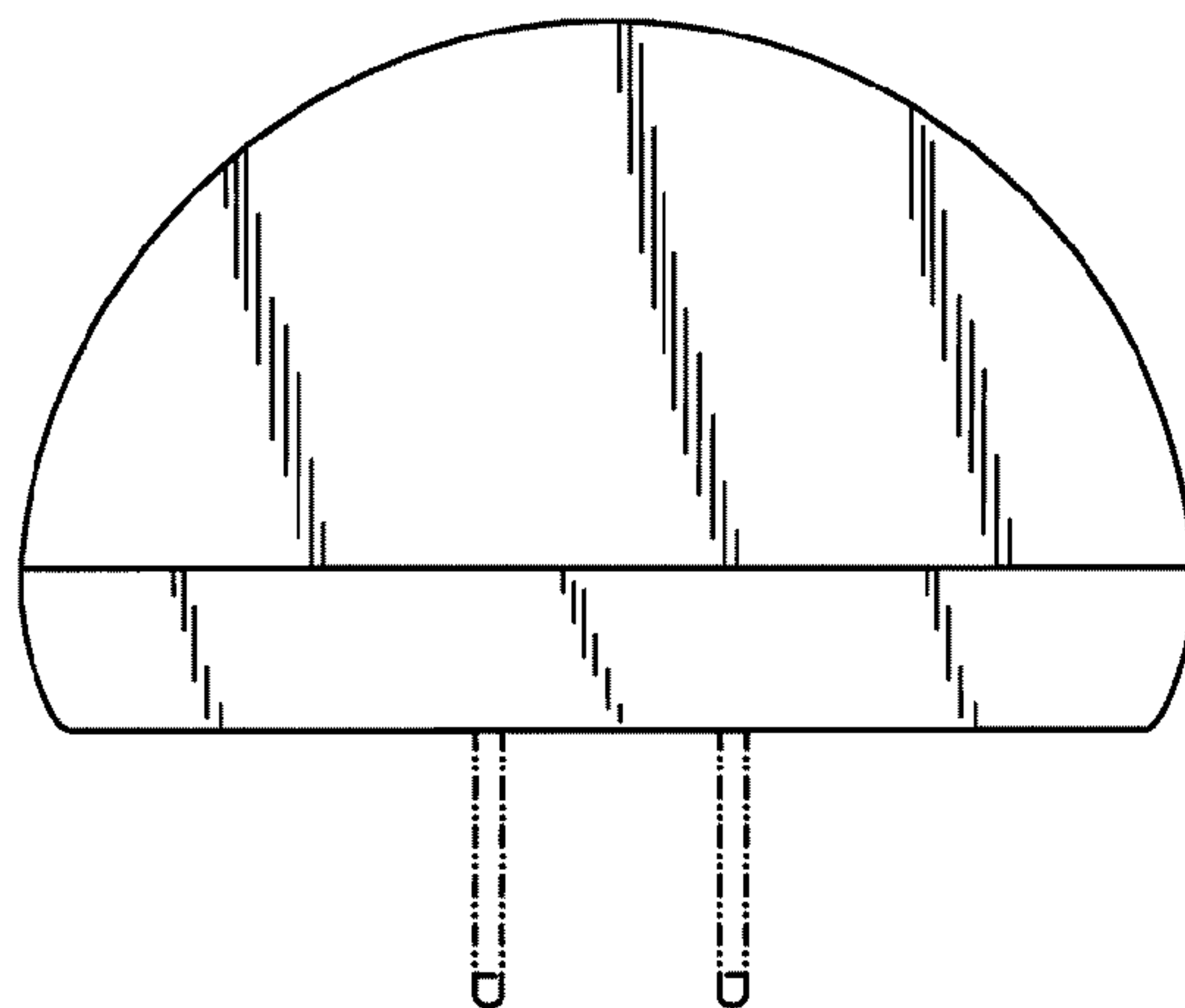


FIG. 6