



US00D618828S

(12) **United States Design Patent**
Choi

(10) **Patent No.:** **US D618,828 S**
(45) **Date of Patent:** **** Jun. 29, 2010**

(54) **CLOCK NIGHT LIGHT**

(75) Inventor: **Taiwon Choi**, Chicago, IL (US)

(73) Assignee: **American Tack & Hardware Co., Inc.**,
Saddle River, NJ (US)

(**) Term: **14 Years**

(21) Appl. No.: **29/334,646**

(22) Filed: **Mar. 30, 2009**

(51) **LOC (9) Cl.** **26-04**

(52) **U.S. Cl.** **D26/26; D10/5**

(58) **Field of Classification Search** D26/24,
D26/26, 37, 38, 39, 54, 72, 88, 113, 118,
D26/127, 101, 73, 96, 125; D23/366, 367,
D23/369; 362/640, 641, 642, 643, 644, 652,
362/653, 657, 658, 659, 147, 810, 103, 104,
362/105, 157, 190, 191, 249.1, 249.11, 311.01,
362/311.04, 311.05, 311.13, 311.14, 806;
D10/5, 15

See application file for complete search history.

(56) **References Cited**

U.S. PATENT DOCUMENTS

D368,227	S	*	3/1996	Danko et al.	D10/5
5,638,339	A	*	6/1997	DeLoretto et al.	368/10
D411,322	S	*	6/1999	Suzuki	D26/37
D426,657	S	*	6/2000	Joss	D26/26
D457,667	S	*	5/2002	Piegras et al.	D26/26
D468,033	S	*	12/2002	Warren et al.	D26/26

D476,428	S	*	6/2003	Stekelenburg	D26/26
D523,129	S	*	6/2006	Caserta et al.	D23/366
D523,972	S	*	6/2006	Chan	D26/26
D524,457	S	*	7/2006	Chan	D26/26
D524,458	S	*	7/2006	Chan	D26/26
D537,930	S	*	3/2007	Nelson	D23/366

* cited by examiner

Primary Examiner—Jennifer Rivard

Assistant Examiner—Angela J Lee

(74) *Attorney, Agent, or Firm*—Hedman & Costigan, P.C.;
Kathleen A. Costigan

(57) **CLAIM**

The ornamental design for a clock night light, as shown and described.

DESCRIPTION

FIG. 1 is a front and left side perspective view of a clock night light showing my new design;

FIG. 2 is a front elevational view thereof;

FIG. 3 is a right side elevational view thereof, the left side being a mirror image of that shown;

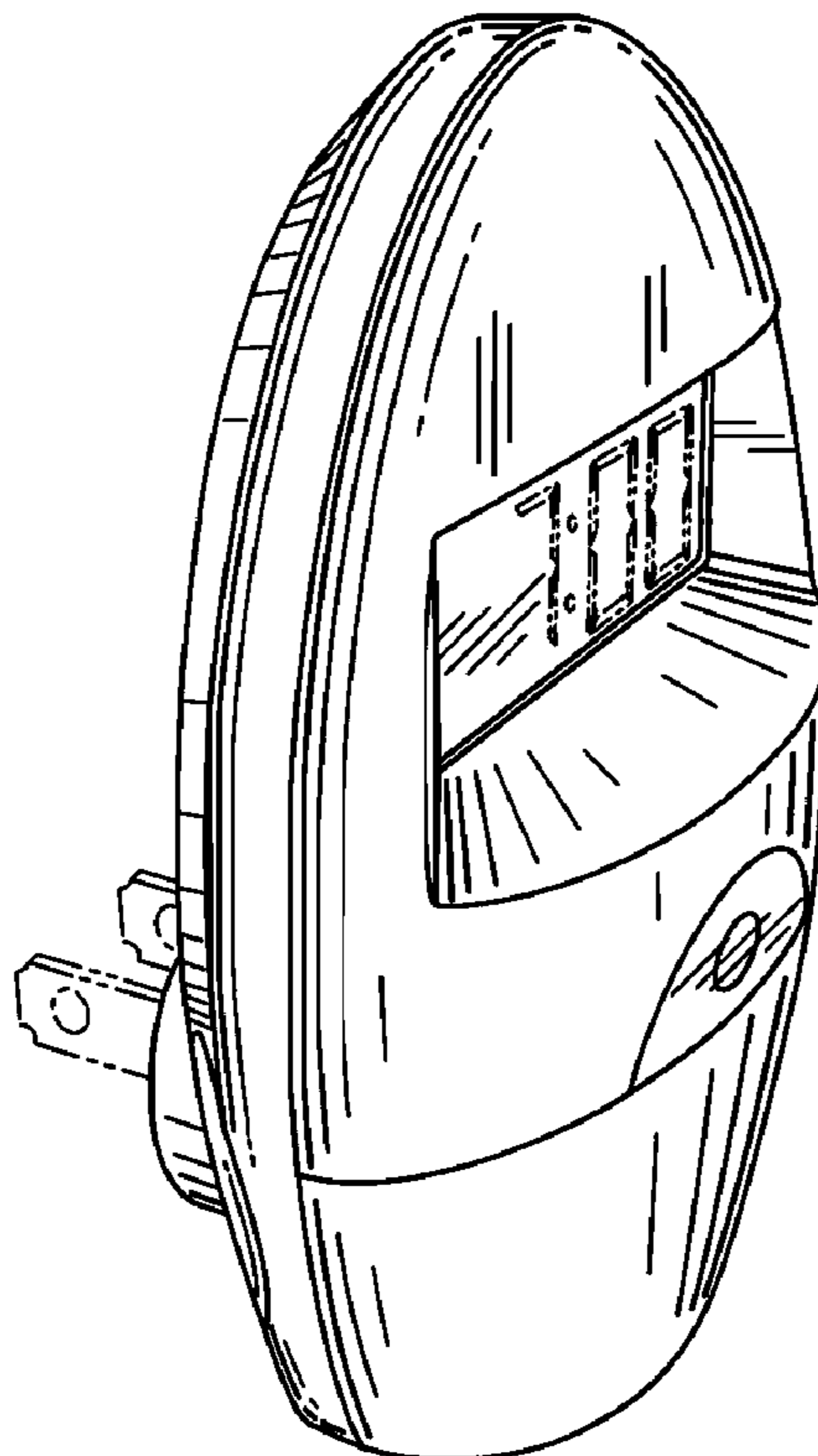
FIG. 4 is a top plan view thereof;

FIG. 5 is a rear elevational thereof; and,

FIG. 6 is a is a bottom plan view thereof.

The portions shown in broken lines form no part of the claimed design.

1 Claim, 2 Drawing Sheets



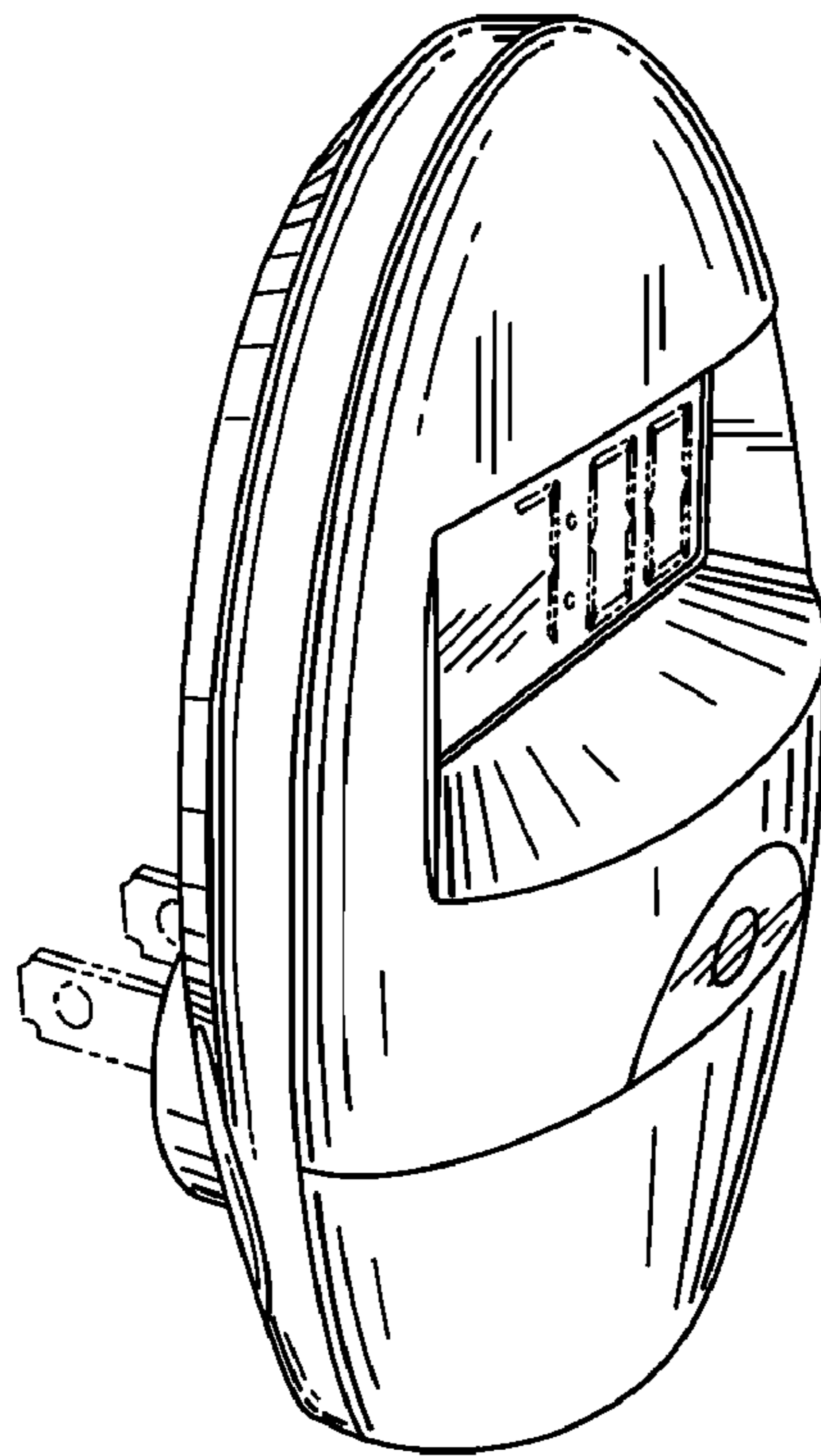


FIG. 1

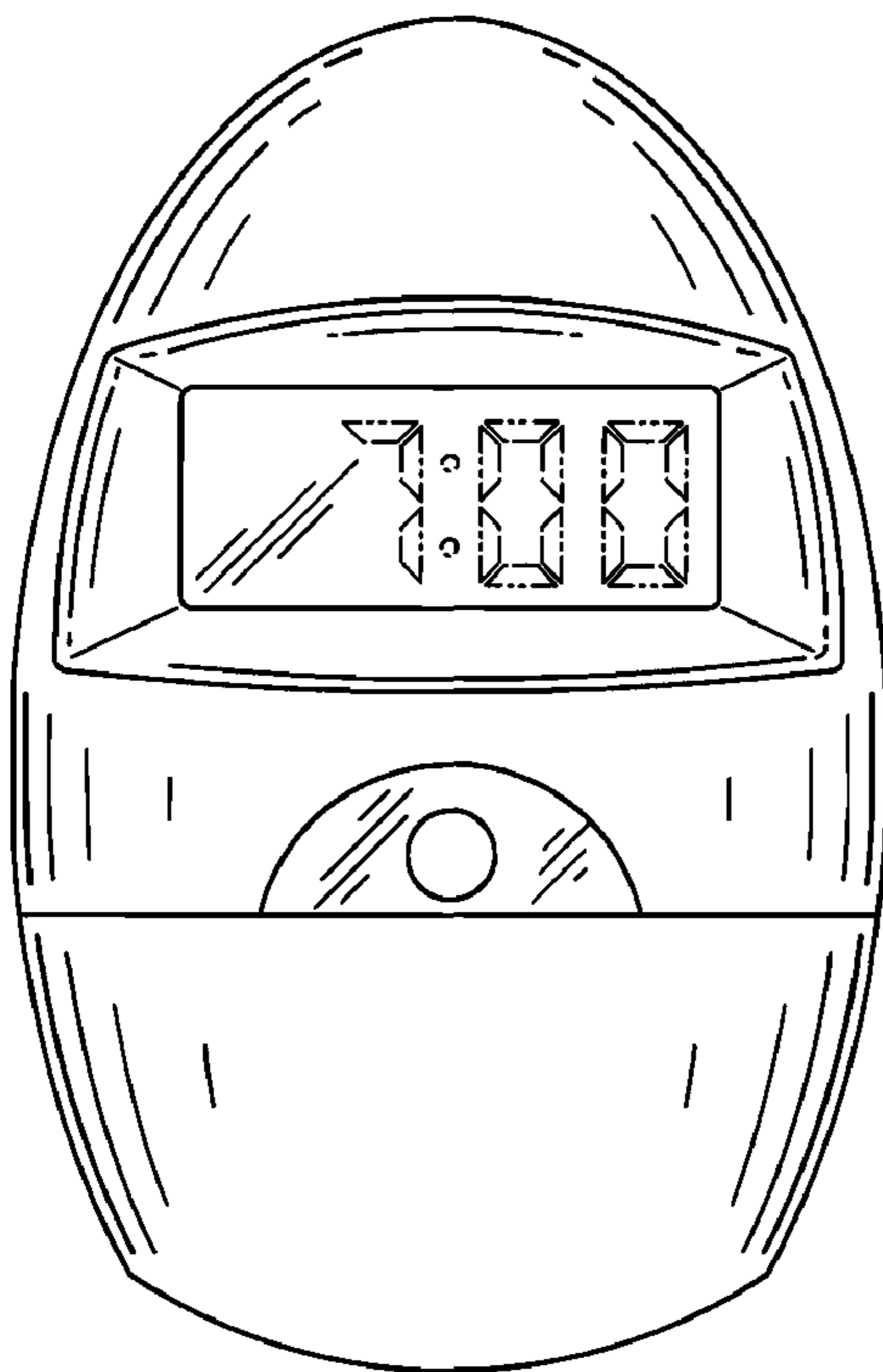


FIG. 2

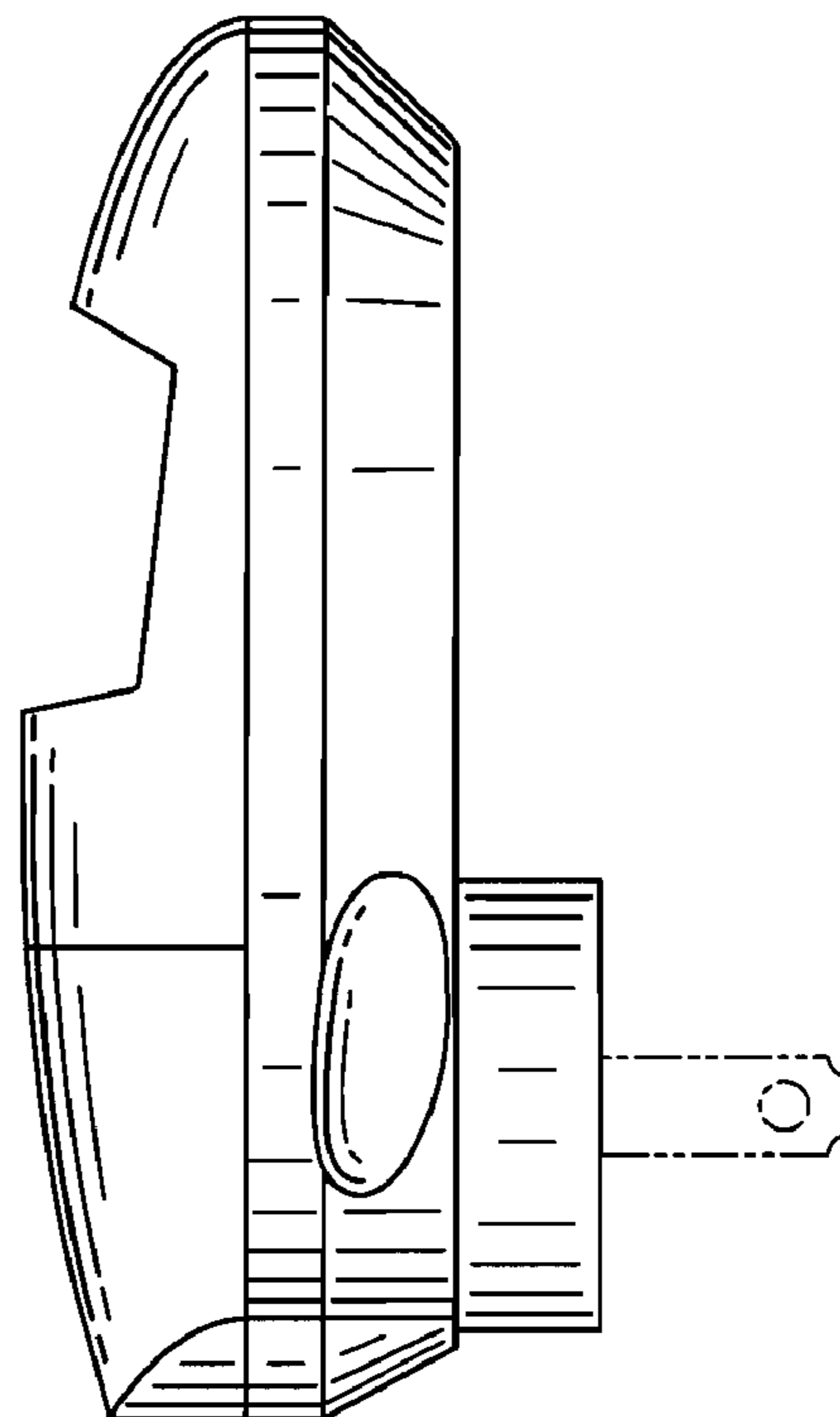


FIG. 3

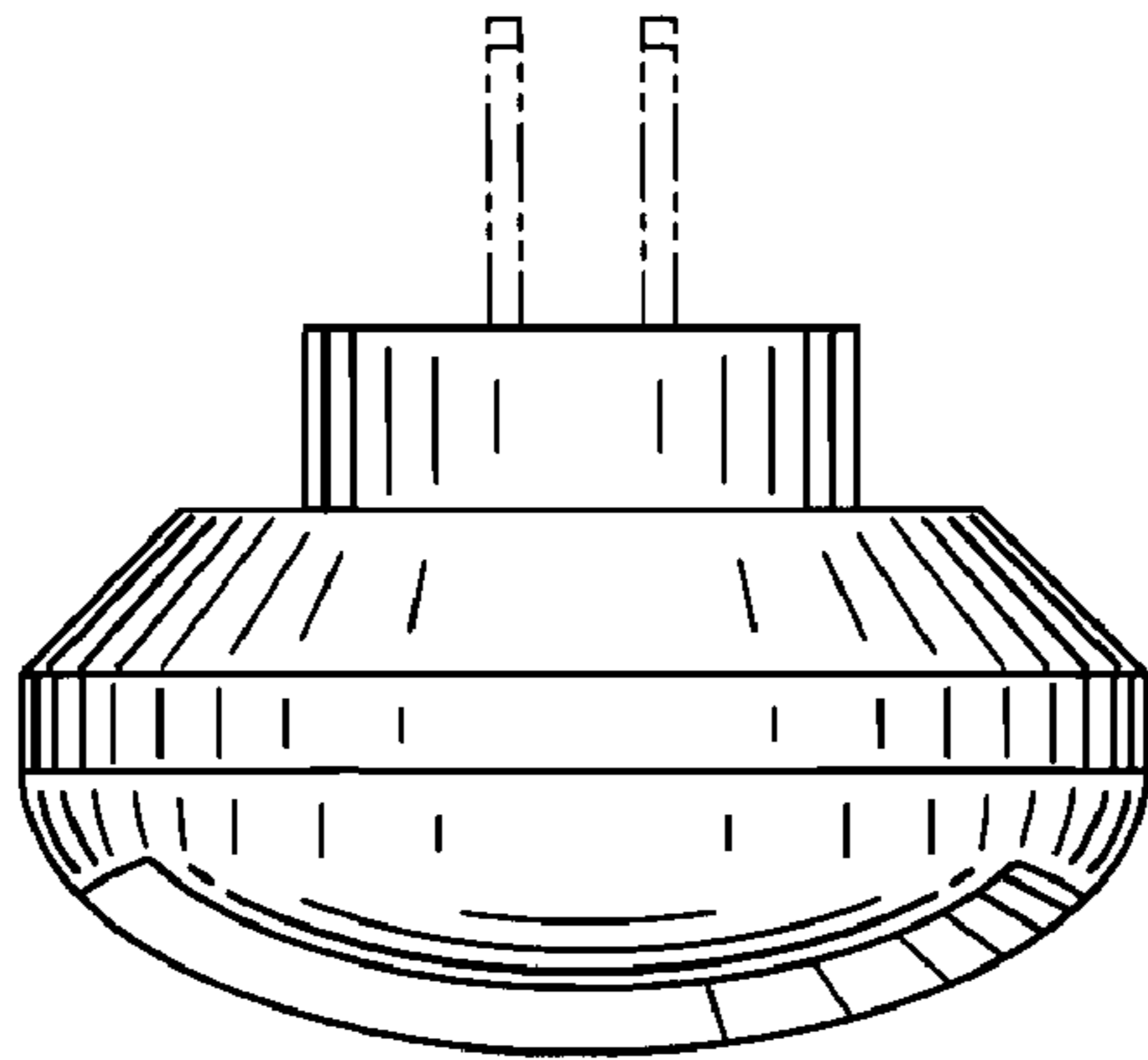


FIG. 4

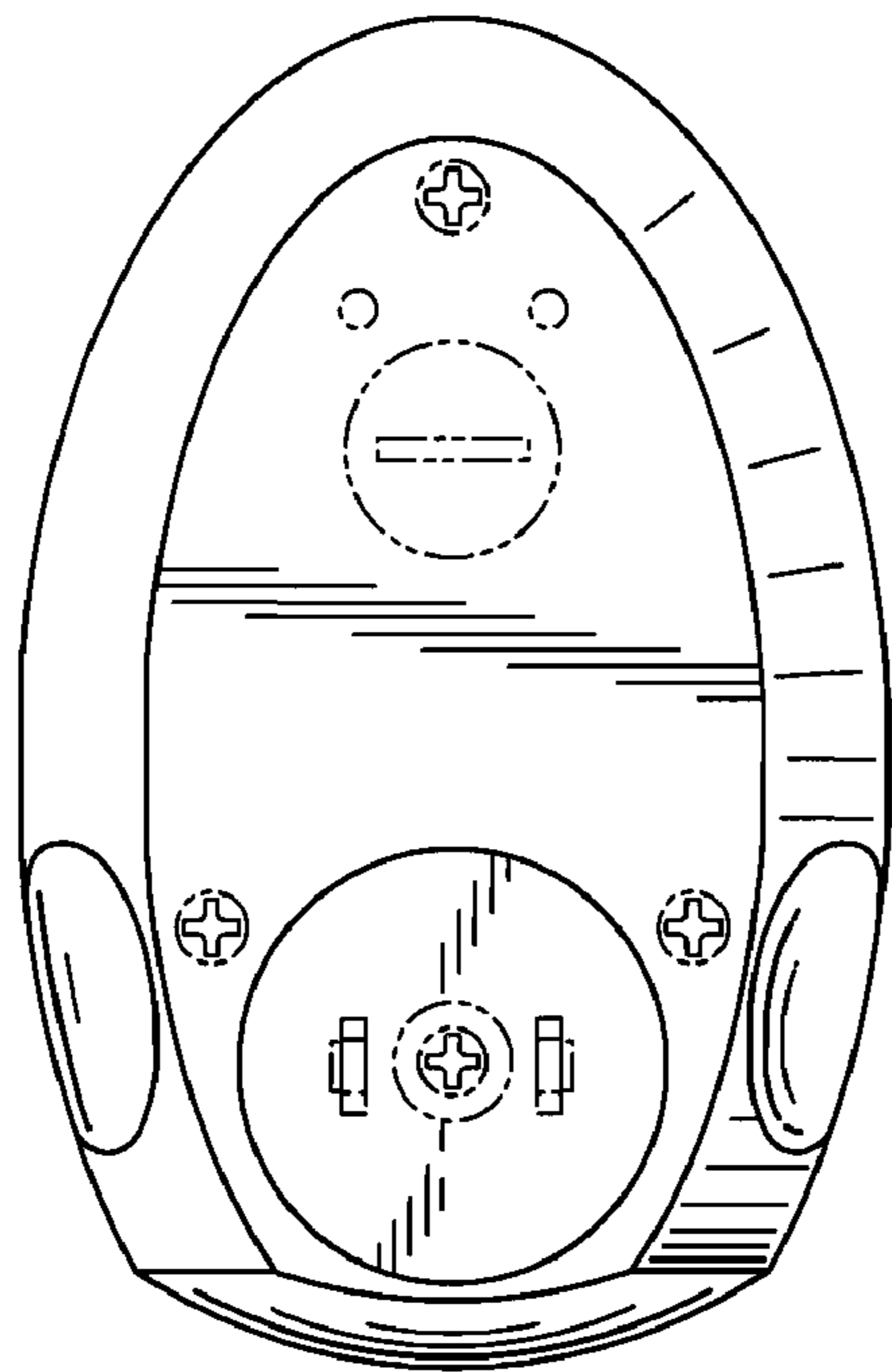


FIG. 5

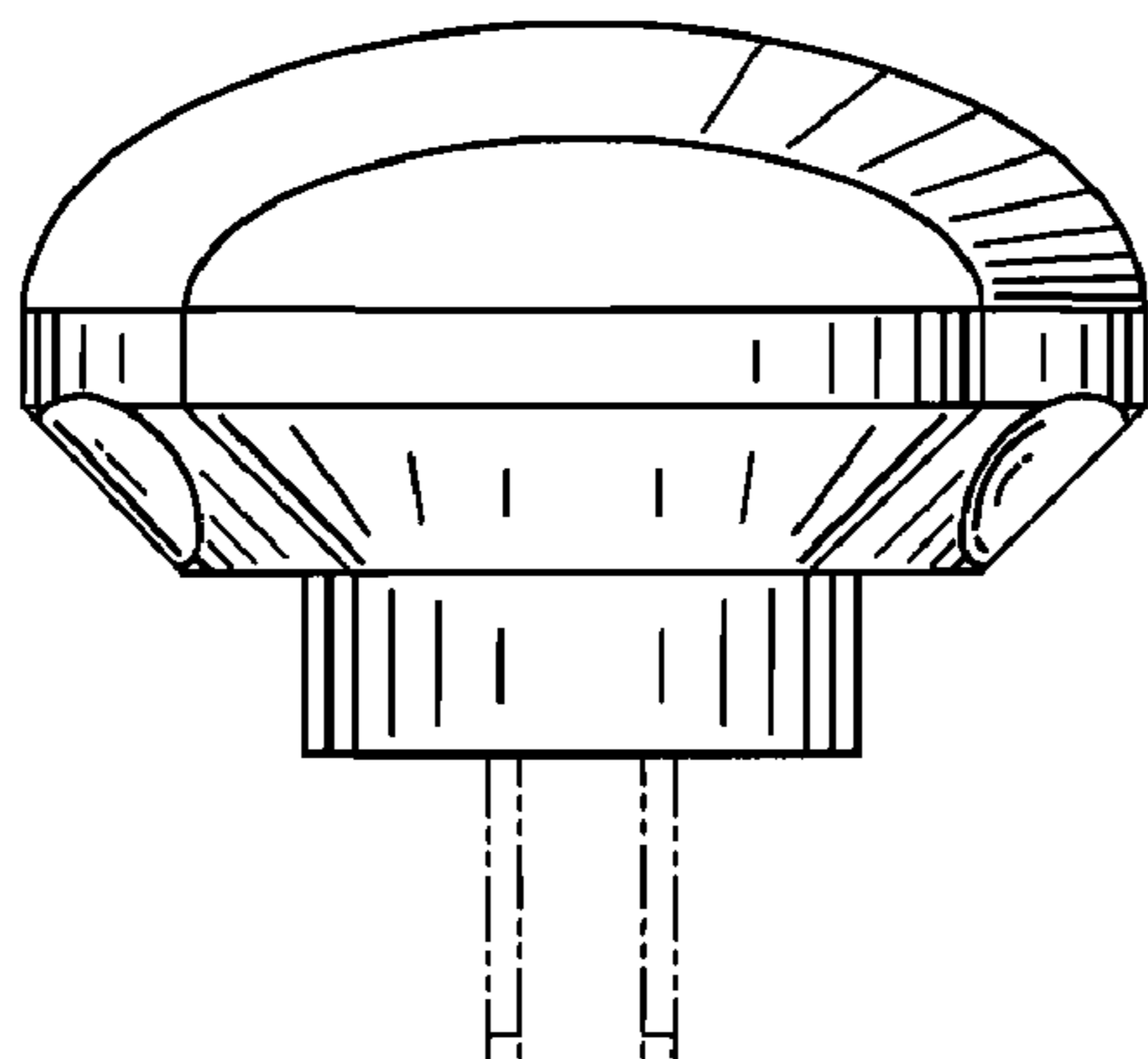


FIG. 6