



US00D618827S

(12) **United States Design Patent**
Matsumoto et al.

(10) **Patent No.:** **US D618,827 S**
(45) **Date of Patent:** **** Jun. 29, 2010**

(54) **LIGHT EMITTING DIODE MODULE**

D578,671 S * 10/2008 Kanayama et al. D26/1
D578,672 S * 10/2008 Takada et al. D26/1
D590,074 S * 4/2009 Chang et al. D26/1

(75) Inventors: **Jun Matsumoto**, Tokyo (JP); **Keiichi Shimizu**, Tokyo (JP); **Sumio Hashimoto**, Tokyo (JP); **Masaru Inoue**, Tokyo (JP)

FOREIGN PATENT DOCUMENTS

JP 1182811 7/2003

(73) Assignee: **Toshiba Lighting & Technology Corporation**, Tokyo (JP)

* cited by examiner

Primary Examiner—Marcus A Jackson
(74) *Attorney, Agent, or Firm*—J.C. Patents

(**) Term: **14 Years**

(21) Appl. No.: **29/281,086**

(57) **CLAIM**

(22) Filed: **Jun. 14, 2007**

The ornamental design for a light emitting diode module, is as shown and described.

(30) **Foreign Application Priority Data**

DESCRIPTION

Dec. 22, 2006 (JP) 2006-035282

(51) **LOC (9) Cl.** **26-04**

FIG. 1 is a perspective view of a light emitting diode module showing the new design;

(52) **U.S. Cl.** **D26/1**

FIG. 2 is a front view thereof;

(58) **Field of Classification Search** D26/1-4;
D13/182; 362/100, 127, 133, 240, 605, 612-613,
362/640-648; 313/313, 315, 317, 318, 493
See application file for complete search history.

FIG. 3 is a rear view thereof;

FIG. 4 is a right side view thereof, the left side view being a mirror image of the right side view;

(56) **References Cited**

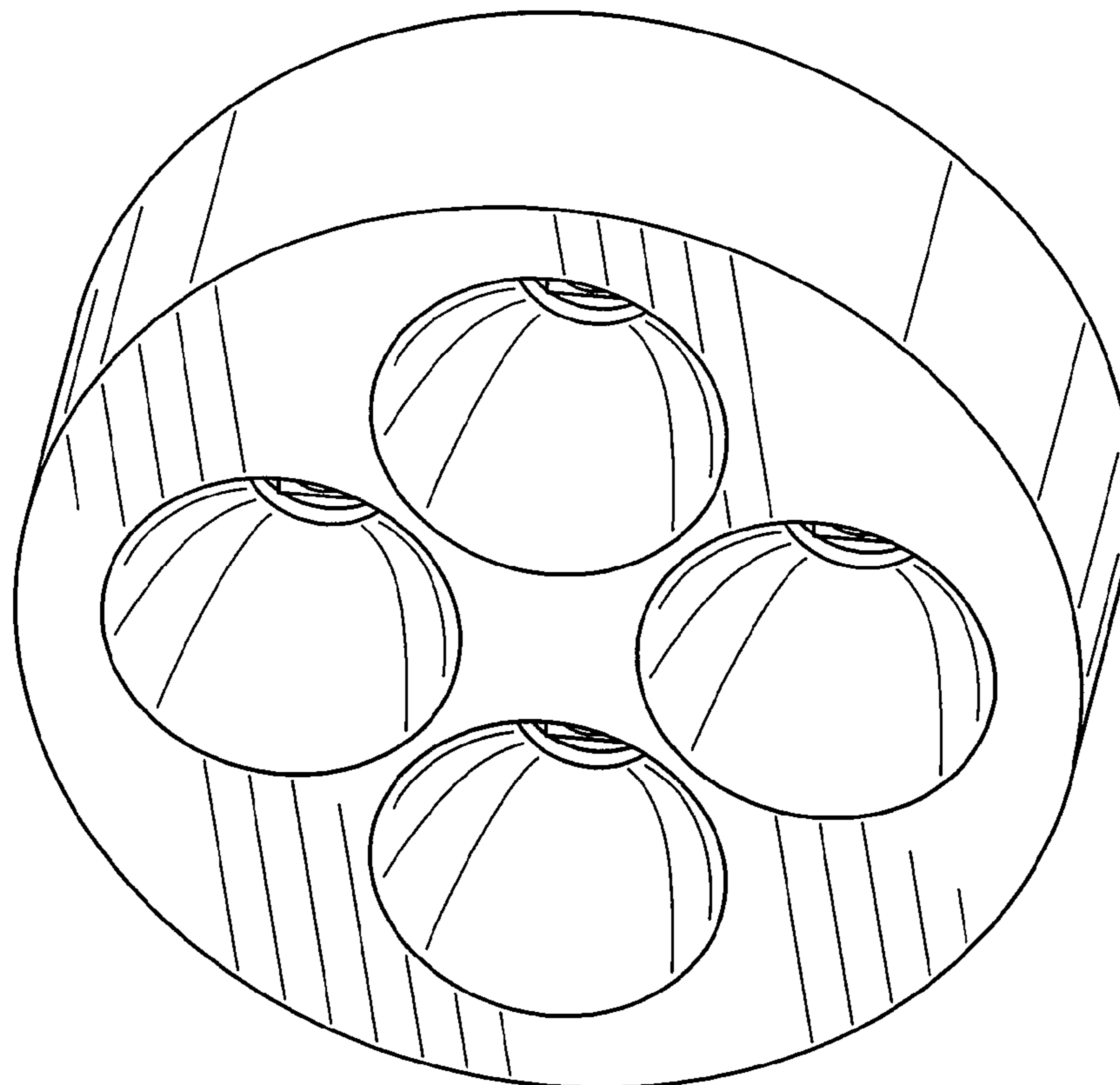
U.S. PATENT DOCUMENTS

D548,857 S * 8/2007 Egawa D26/1
D566,861 S * 4/2008 Takada et al. D26/1

FIG. 5 is a top view thereof, the bottom view being a mirror image of the top view; and,

FIG. 6 is an end elevational view in section taken along line 6-6 in FIG. 2 with the internal parts omitted.

1 Claim, 4 Drawing Sheets



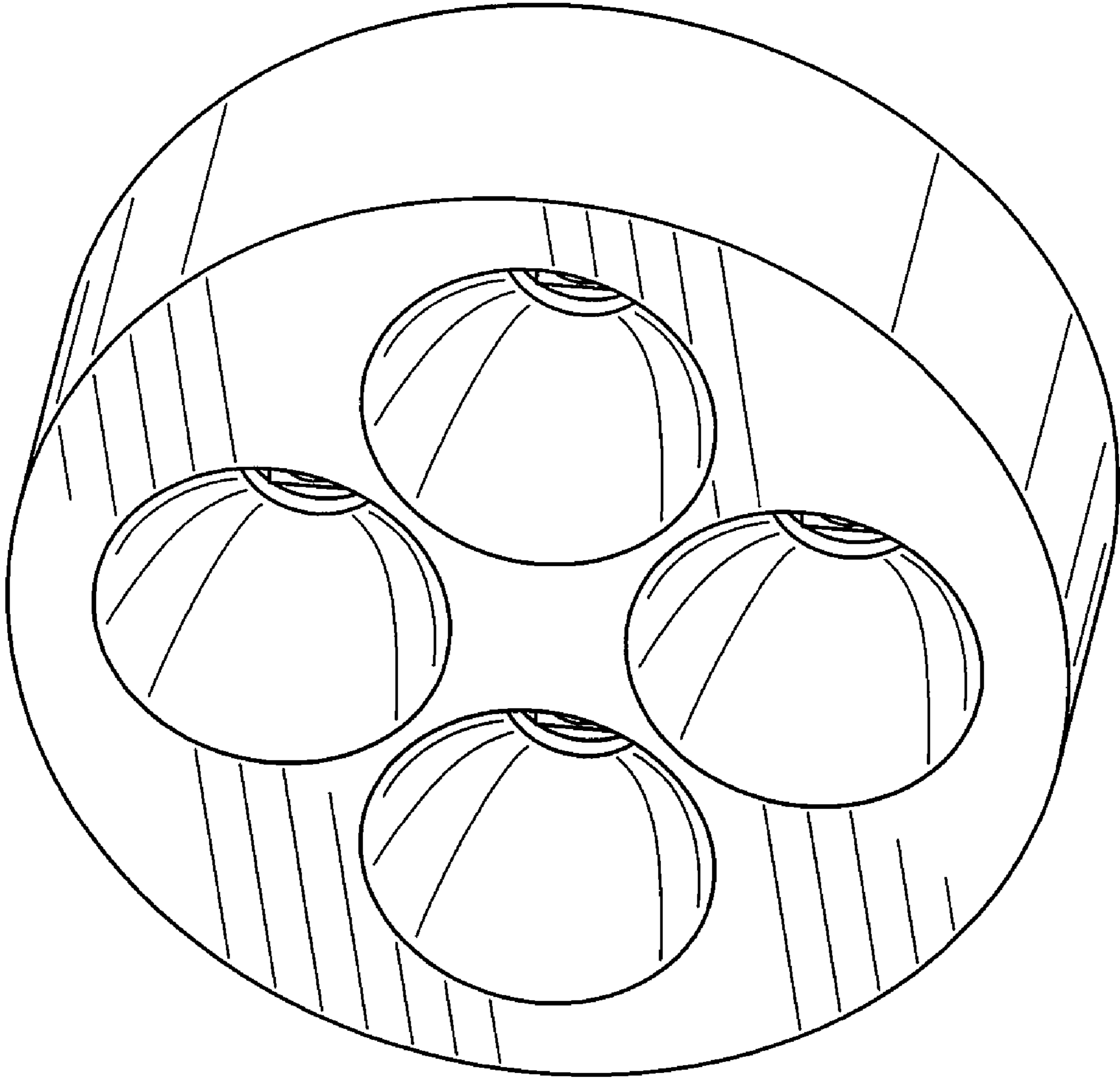


FIG. 1

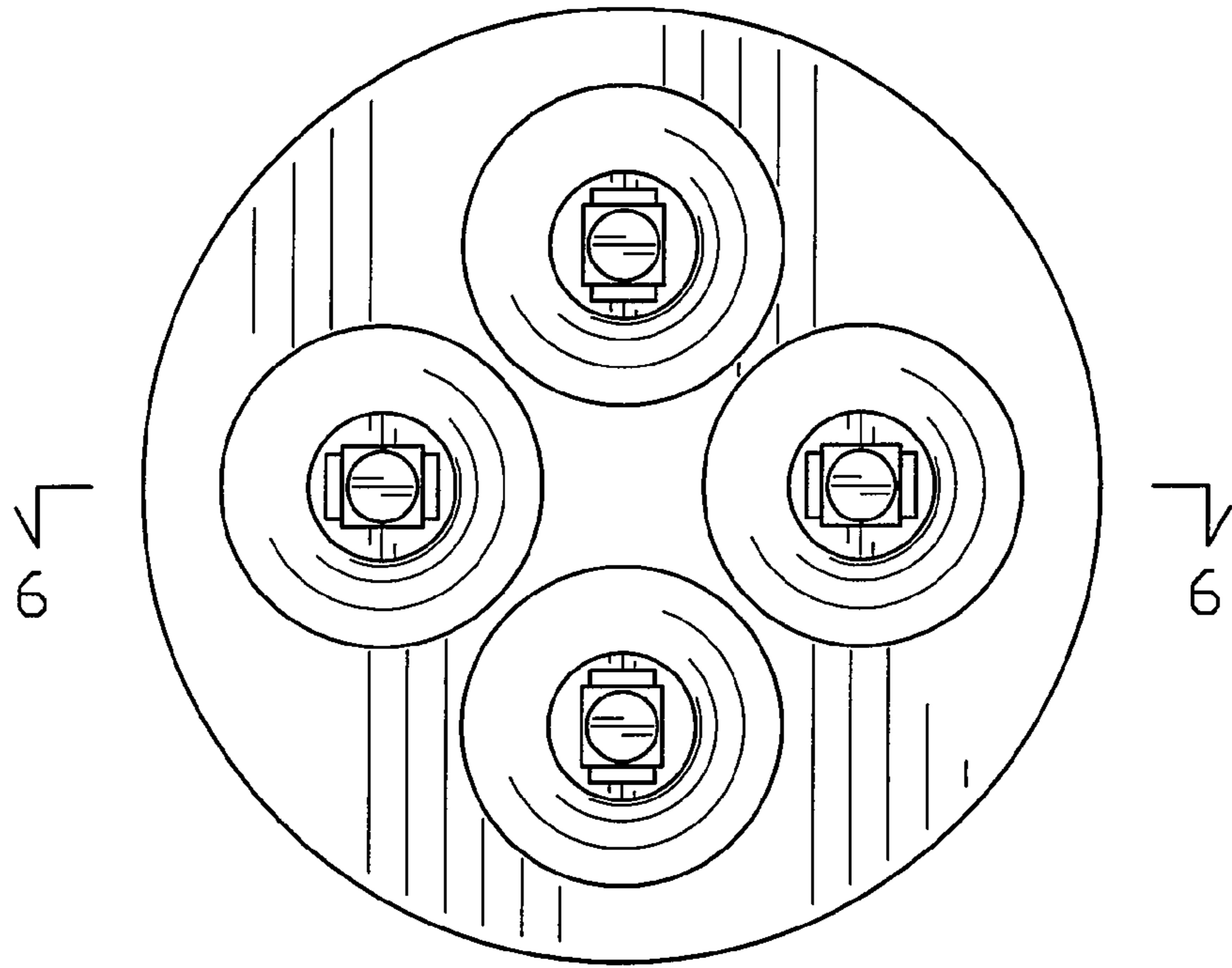


FIG. 2

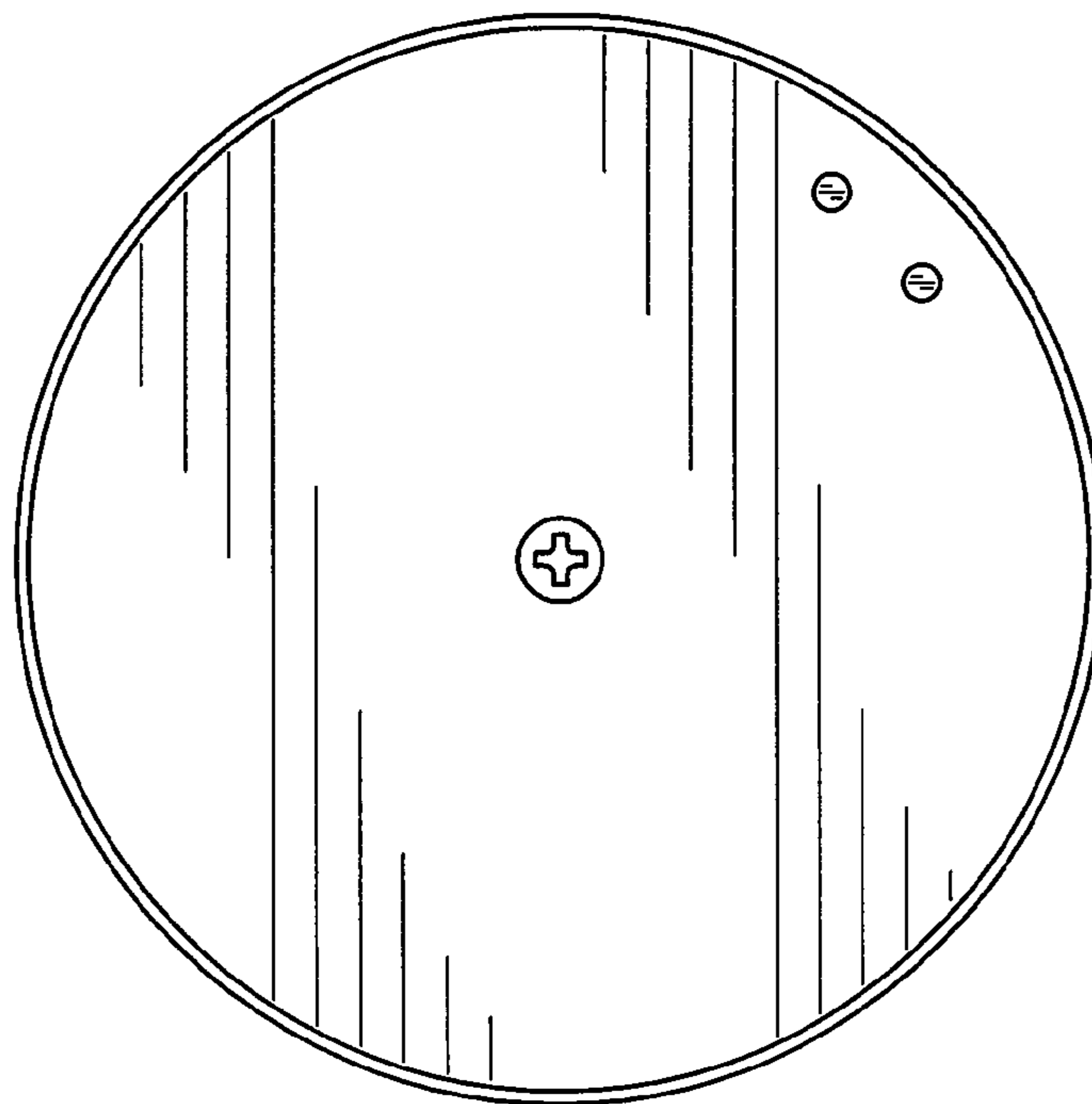


FIG. 3

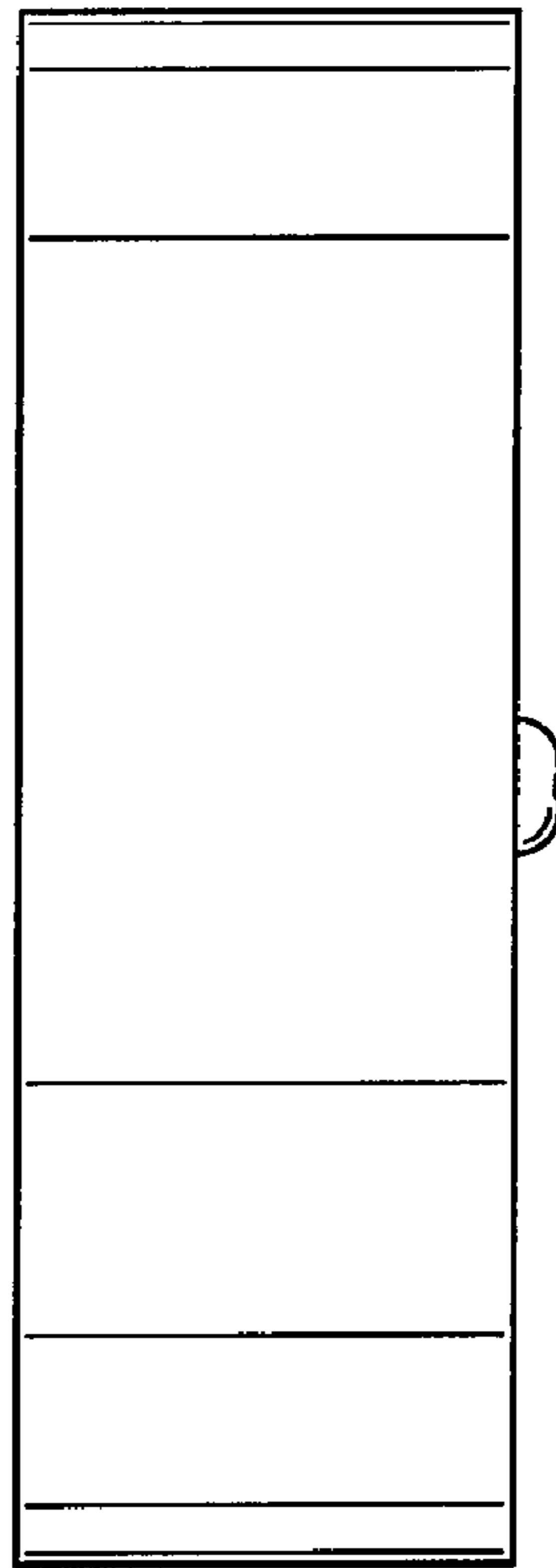


FIG. 4

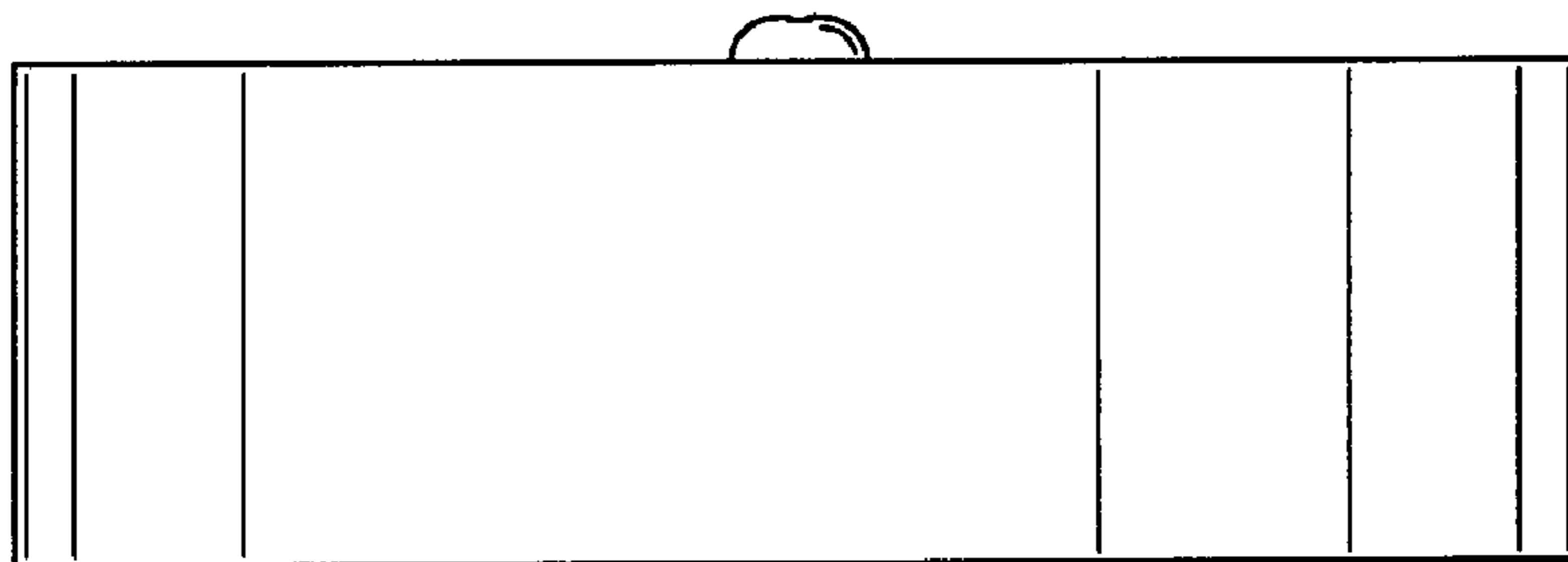


FIG. 5

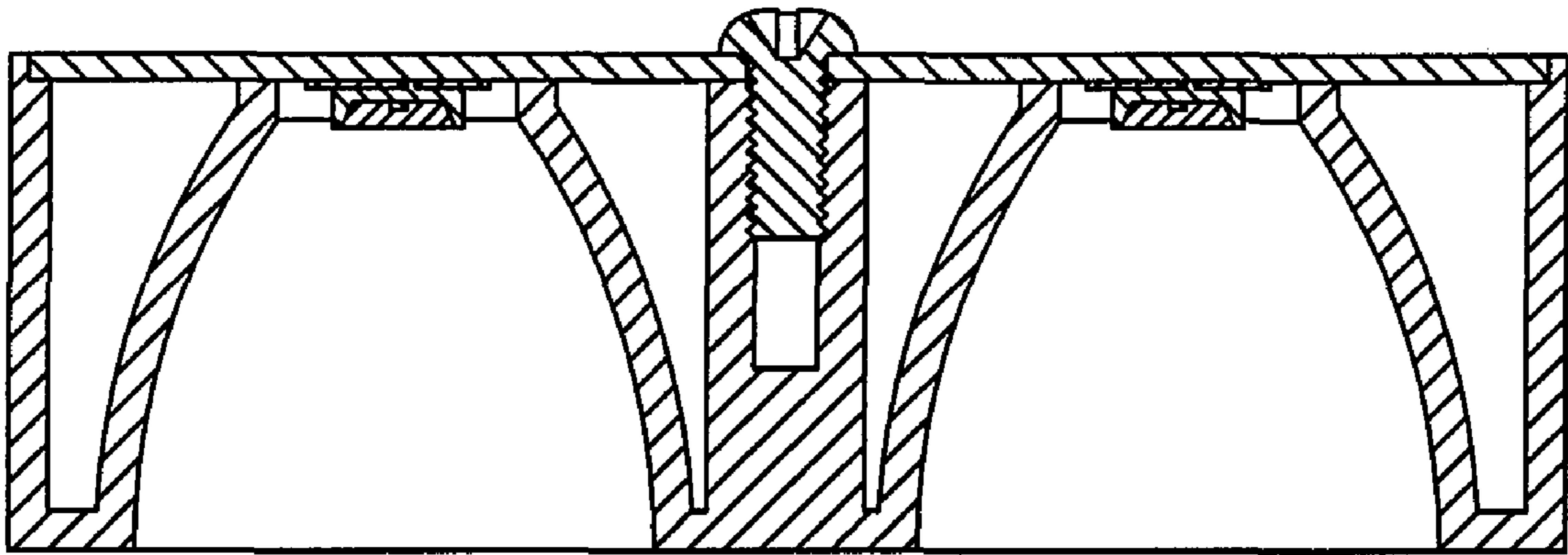


FIG. 6