



US00D618826S

(12) **United States Design Patent**
Lehane, Jr.

(10) **Patent No.:** **US D618,826 S**
(45) **Date of Patent:** **** Jun. 29, 2010**

(54) **CEILING GRID TEE WITH UNIFORM EFFECTIVE THICKNESS**

(75) Inventor: **James Joseph Lehane, Jr.**, McHenry, IL (US)

(73) Assignee: **USG Interiors, Inc.**, Chicago, IL (US)

(**) Term: **14 Years**

(21) Appl. No.: **29/352,482**

(22) Filed: **Dec. 22, 2009**

(51) **LOC (9) Cl.** **25-01**

(52) **U.S. Cl.** **D25/164**

(58) **Field of Classification Search** D25/122,
D25/164, 199, 61; 52/506.06, 506.07, 506.08,
52/664

See application file for complete search history.

(56) **References Cited**

U.S. PATENT DOCUMENTS

4,257,206	A *	3/1981	Mieyal	52/506.07
D402,044	S *	12/1998	DeBlock et al.	D25/61
D443,079	S *	5/2001	Neuhofer, Jr.	D25/164
6,446,407	B1 *	9/2002	Lehane et al.	52/506.07
6,751,922	B1 *	6/2004	Auriemma	52/506.05

* cited by examiner

Primary Examiner—Doris Clark

(74) *Attorney, Agent, or Firm*—Pradip Sahu, Esq.; David F. Janci, Esq.; Philip T. Petti, Esq.

(57) **CLAIM**

The ornamental design for a ceiling grid tee with uniform effective thickness, as shown and described.

DESCRIPTION

FIG. 1 is a fragmentary perspective view of the ceiling grid tee with uniform effective thickness showing my new design;

FIG. 2 is a left side view of same; A right side view of same is omitted since it is a mirror image of the left side view shown in FIG. 2;

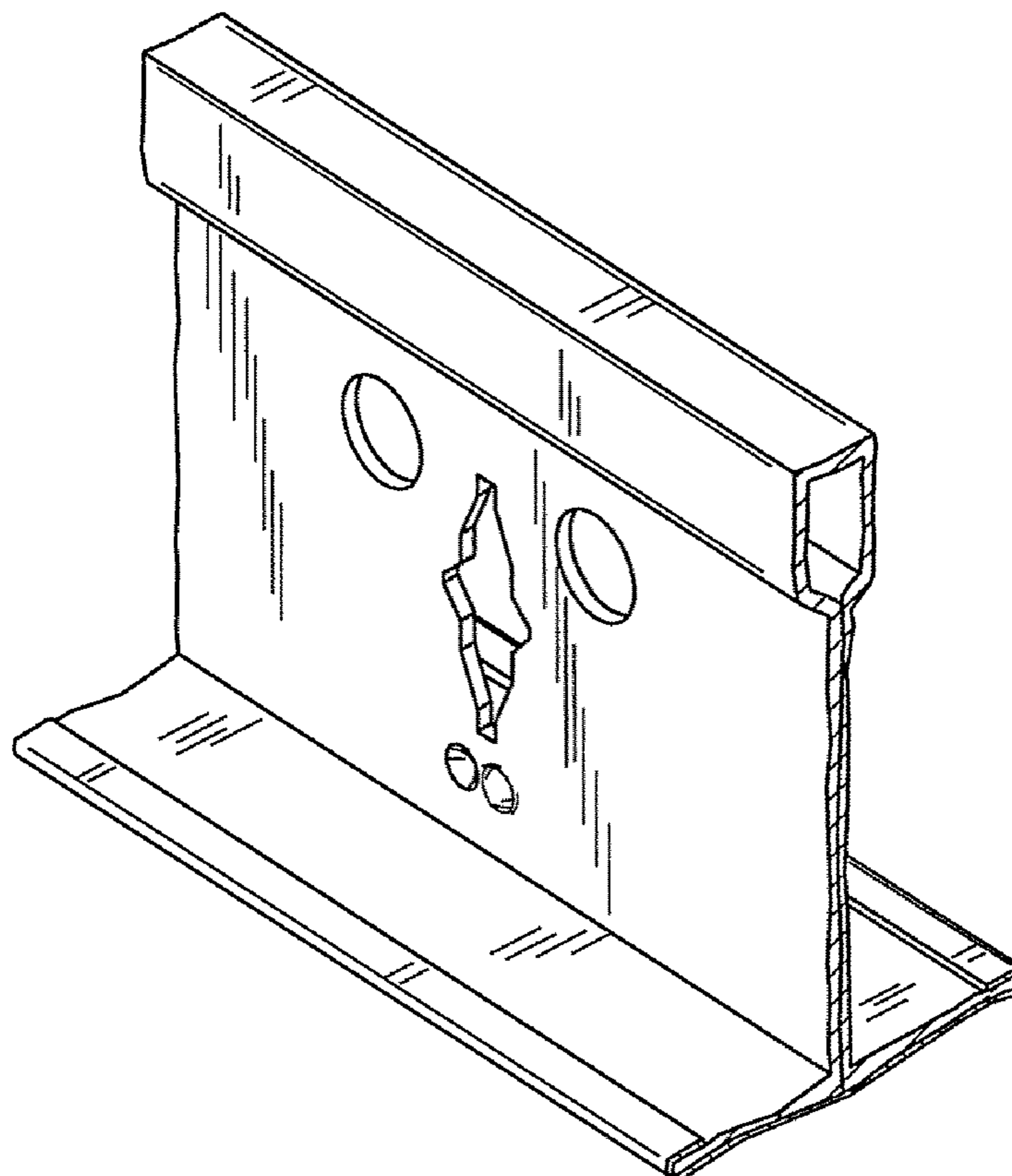
FIG. 3 is a front view of same; A back view of same is omitted since it is a mirror image of the front view shown in FIG. 3;

FIG. 4 is a top view of same;

FIG. 5 is a cross section view of same along line 5—5 of FIG. 2 looking downward; and,

FIG. 6 is a bottom view of same.

1 Claim, 1 Drawing Sheet



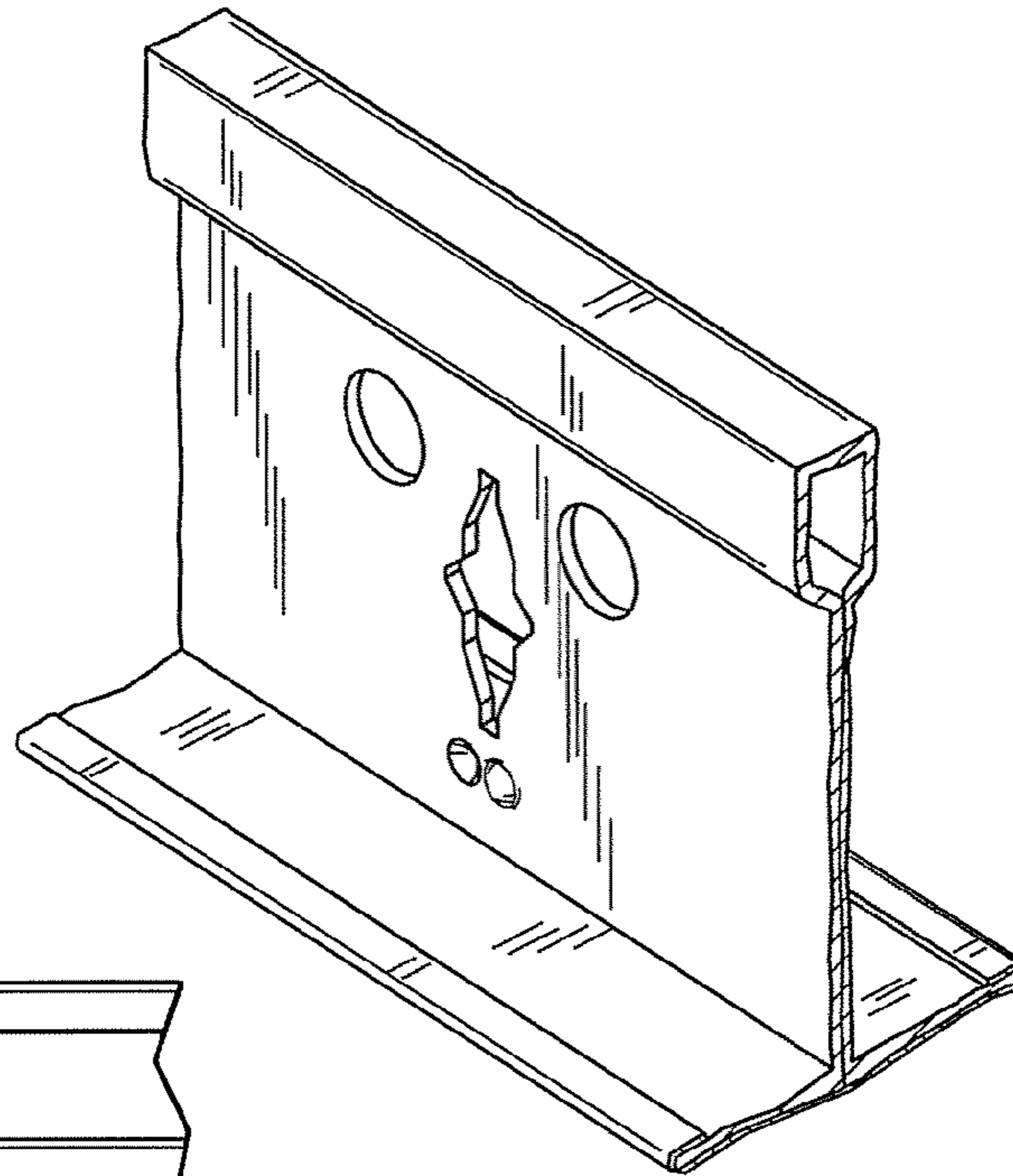


FIG. 1

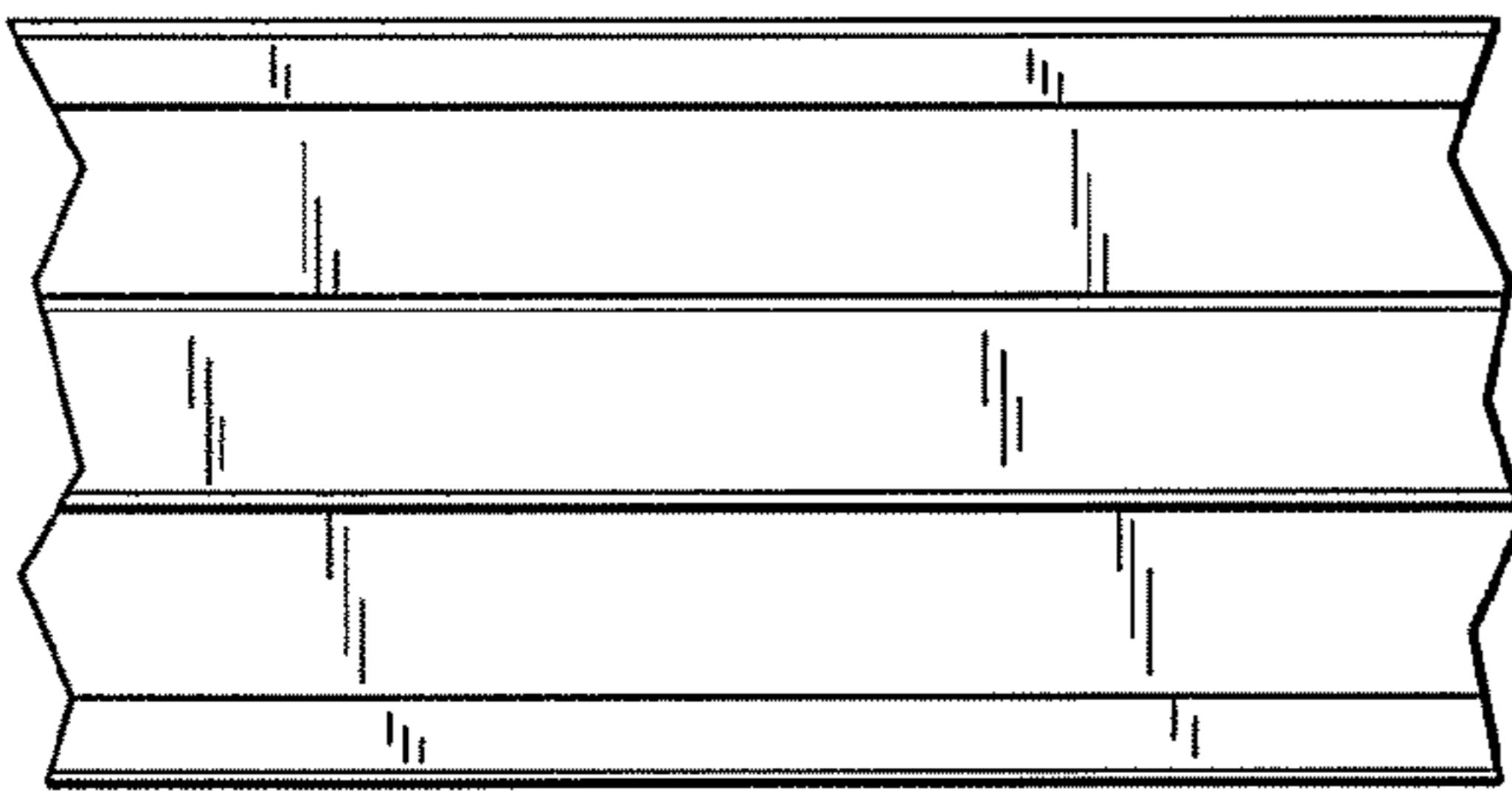


FIG. 4

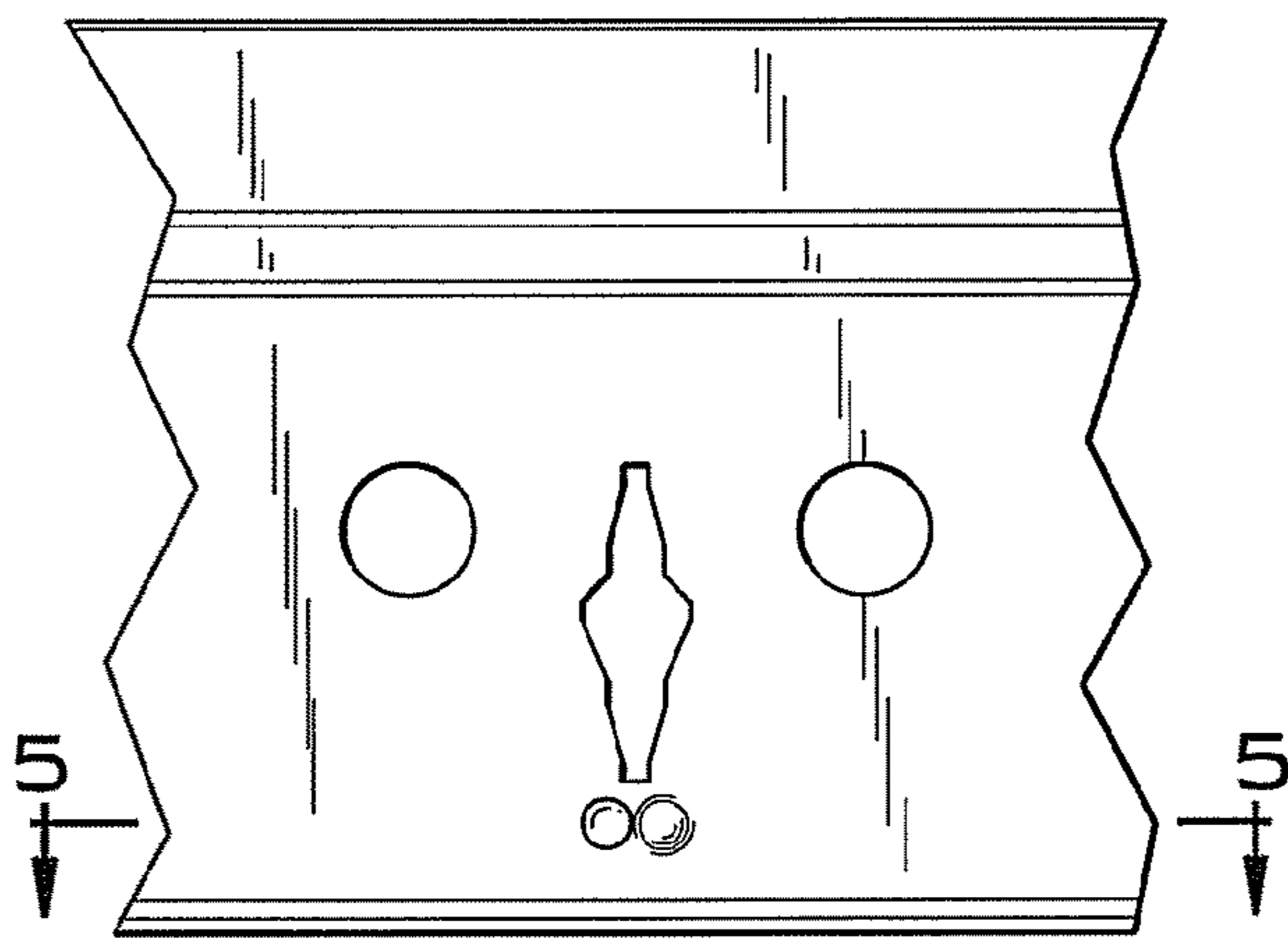


FIG. 2

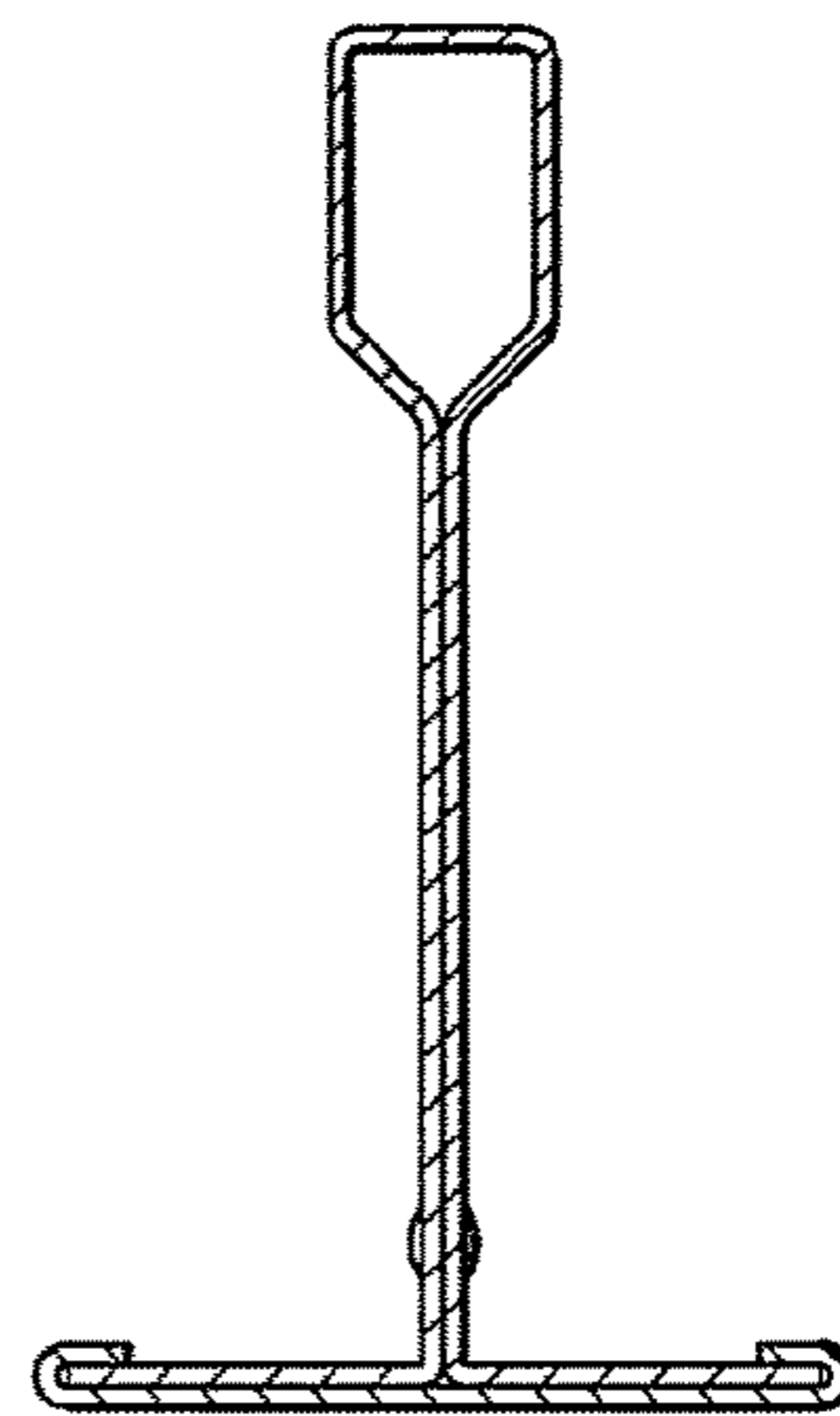


FIG. 3

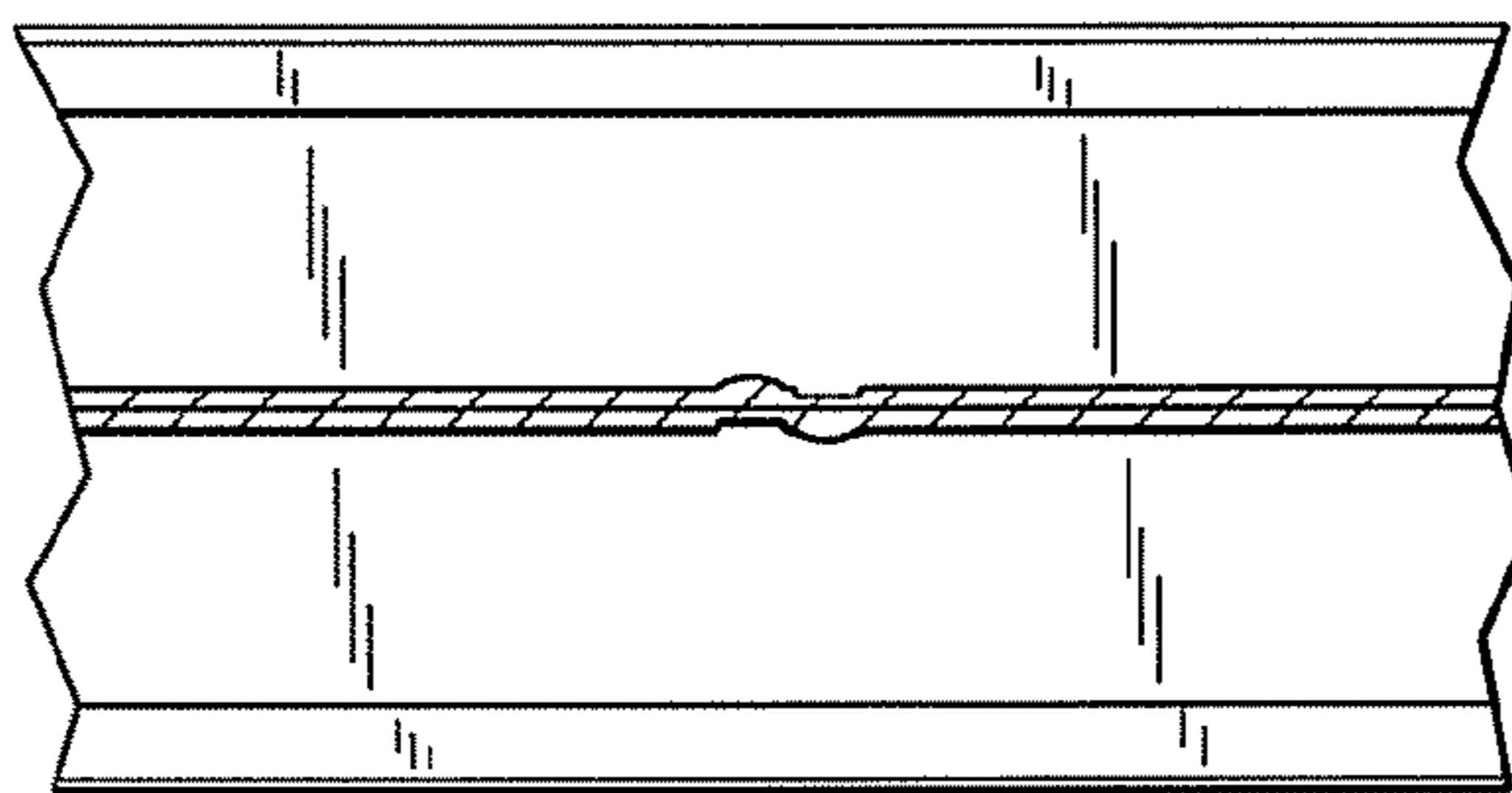


FIG. 5

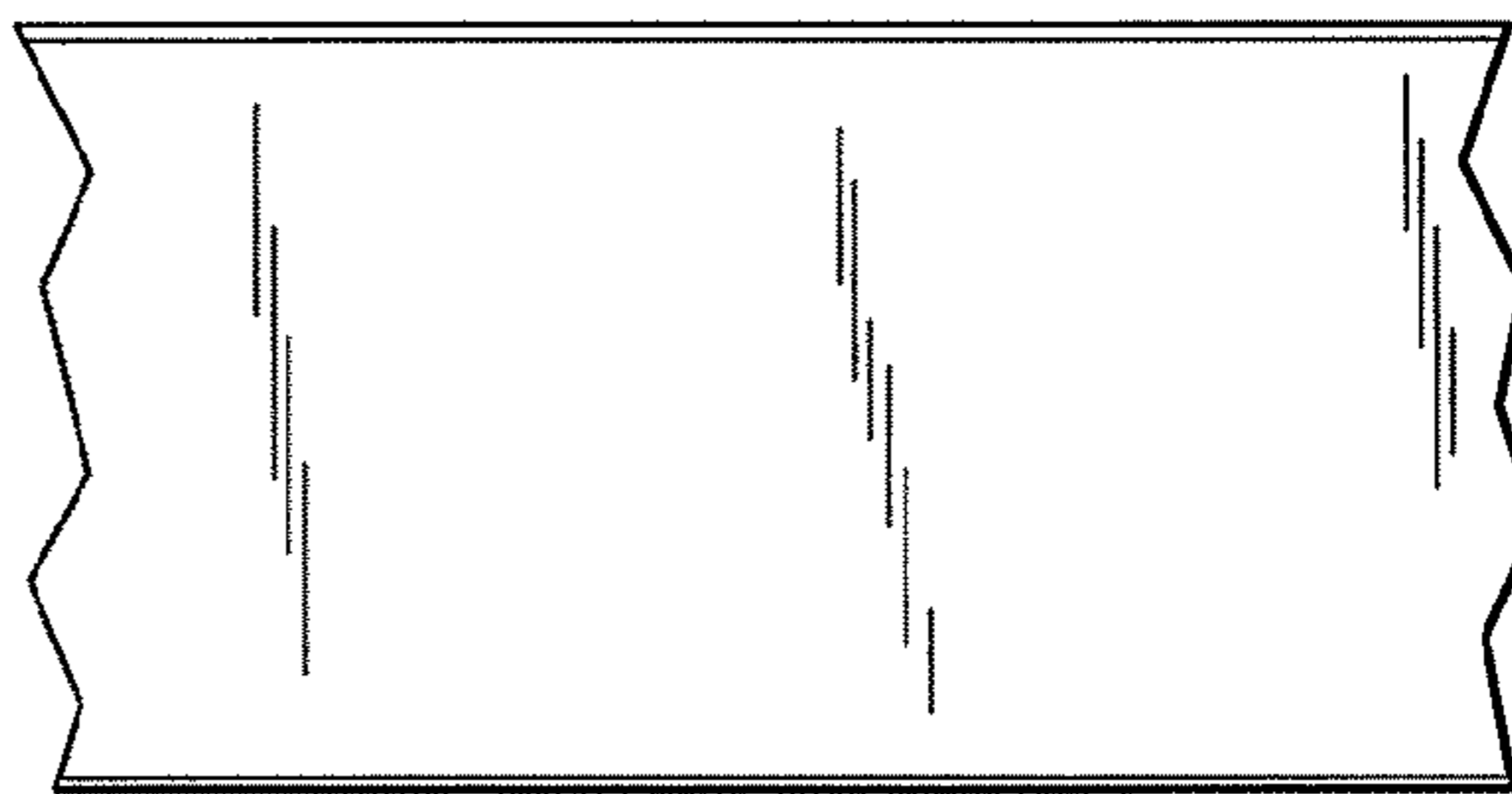


FIG. 6