



US00D618824S

(12) **United States Design Patent**  
**Craig, Jr.**

(10) **Patent No.:** **US D618,824 S**  
(45) **Date of Patent:** **\*\* Jun. 29, 2010**

(54) **BEADED FIBER CEMENT PANEL**

**DESCRIPTION**

(75) Inventor: **Tony Michael Craig, Jr.**, Lakeland, FL (US)

(73) Assignee: **James Hardie Technology Limited**, Dublin (IE)

(\*\*) Term: **14 Years**

(21) Appl. No.: **29/318,464**

(22) Filed: **May 20, 2008**

(51) **LOC (9) Cl.** ..... **25-01**

(52) **U.S. Cl.** ..... **D25/138**

(58) **Field of Classification Search** ..... D25/138,  
D25/163; 52/281, 282.1, 602, 603, 609,  
52/255, 223.6

See application file for complete search history.

(56) **References Cited**

**U.S. PATENT DOCUMENTS**

5,581,969 A \* 12/1996 Kelleher ..... 52/602  
D442,299 S \* 5/2001 Boone ..... D25/163  
6,338,231 B1 \* 1/2002 Enriquez ..... 52/602  
D533,284 S \* 12/2006 Bledsoe et al. .... D25/138

\* cited by examiner

*Primary Examiner*—Doris Clark

(74) *Attorney, Agent, or Firm*—Gardere Wynne Sewell LLP

(57) **CLAIM**

The ornamental design for a beaded fiber cement panel, as shown and described.

FIG. 1 is a front perspective view of a beaded fiber cement panel in accordance with invention;

FIG. 2 is an enlarged view of a middle boxed portion of the beaded fiber cement panel shown in FIG. 1;

FIG. 3 is an enlarged view of a top boxed portion of the beaded fiber cement panel shown in FIG. 1;

FIG. 4 is an enlarged view of a bottom boxed portion of the beaded fiber cement panel shown in FIG. 1;

FIG. 5 is a front elevation view of the beaded fiber cement panel shown in FIG. 1;

FIG. 6 is a rear view of the beaded fiber cement panel shown in FIG. 1;

FIG. 7 is side view of the beaded fiber cement panel shown in FIG. 1;

FIG. 8 is an enlarged view of a middle boxed portion of the beaded fiber cement panel shown in FIG. 4;

FIG. 9 is an enlarged view of a top boxed portion of the beaded fiber cement panel shown in FIG. 4;

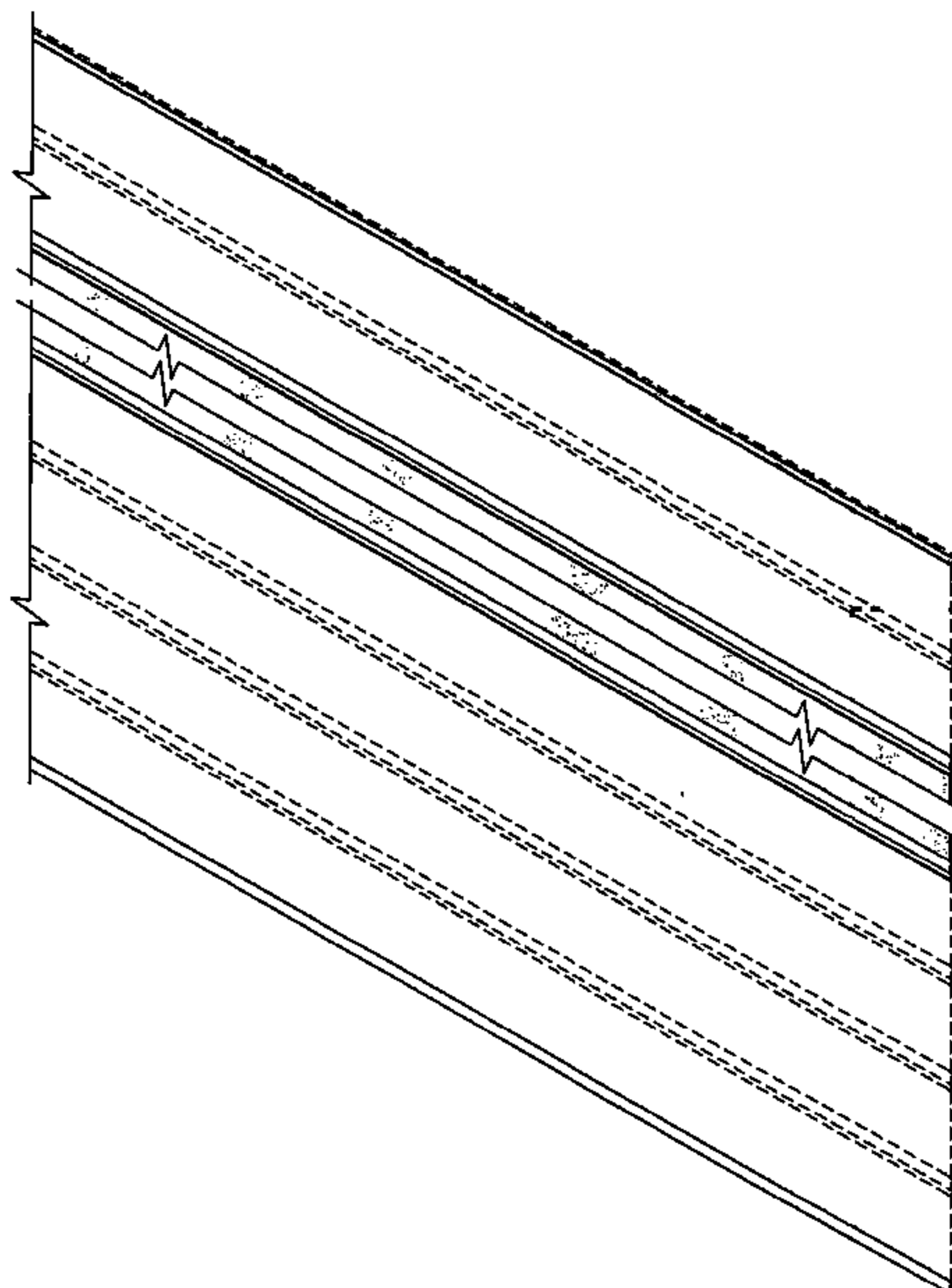
FIG. 10 is an enlarged view of a bottom boxed portion of the beaded fiber cement panel shown in FIG. 4;

FIG. 11 is top view of the beaded fiber cement panel shown in FIG. 1; and,

FIG. 12 is a bottom view of the beaded fiber cement panel shown in FIG. 1.

For FIGS. 1–12, broken lines are for illustrative purposes only, showing the environment, and form no part of the claimed design.

**1 Claim, 6 Drawing Sheets**



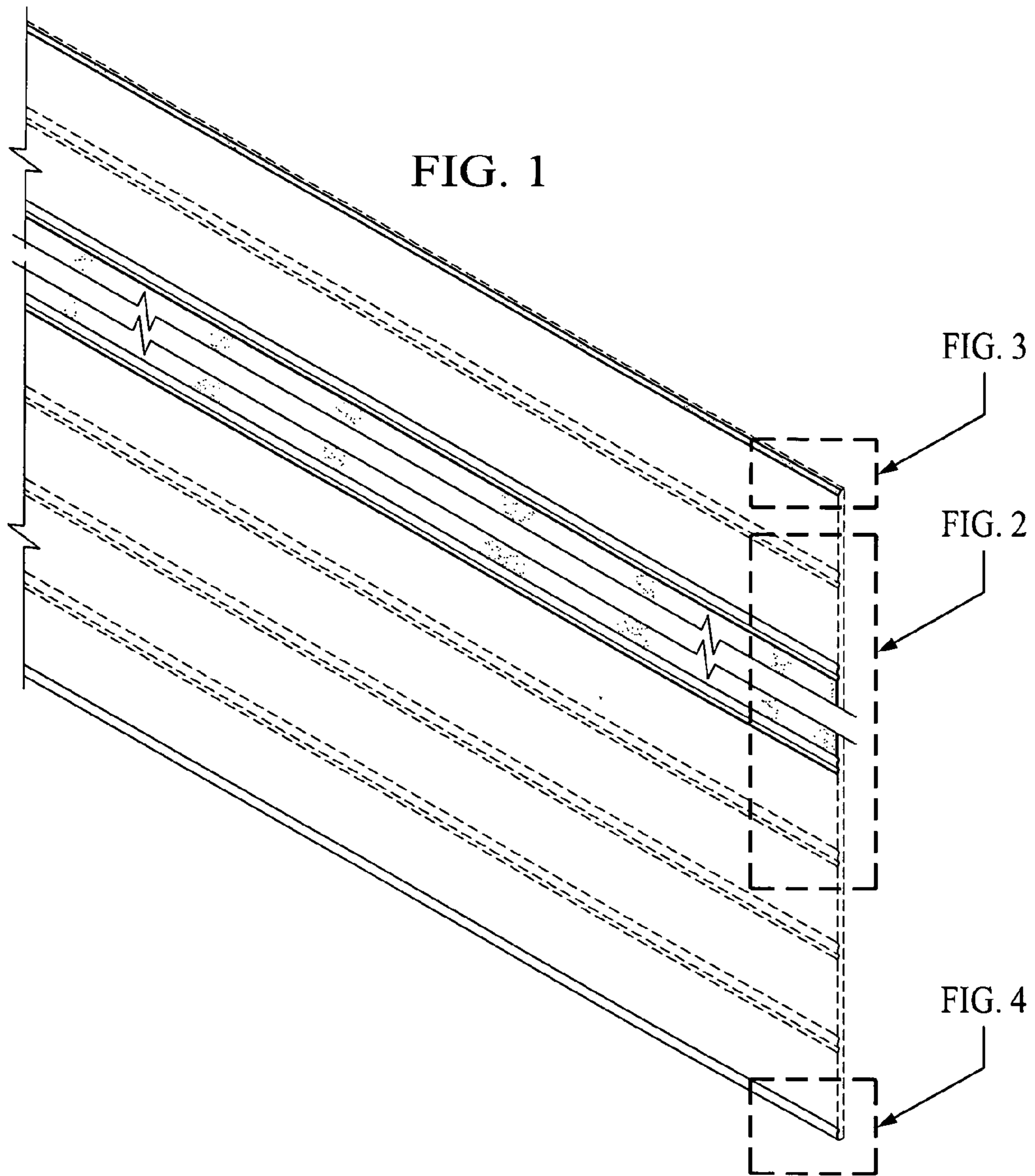


FIG. 2

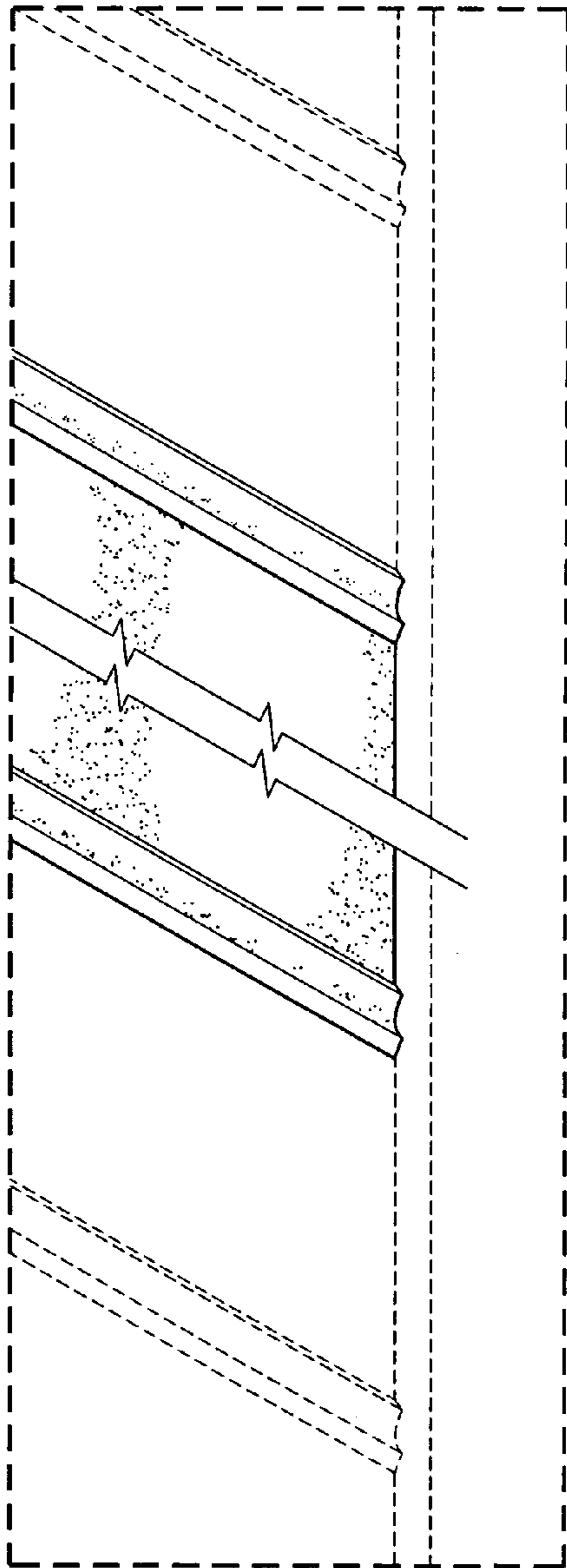


FIG. 3

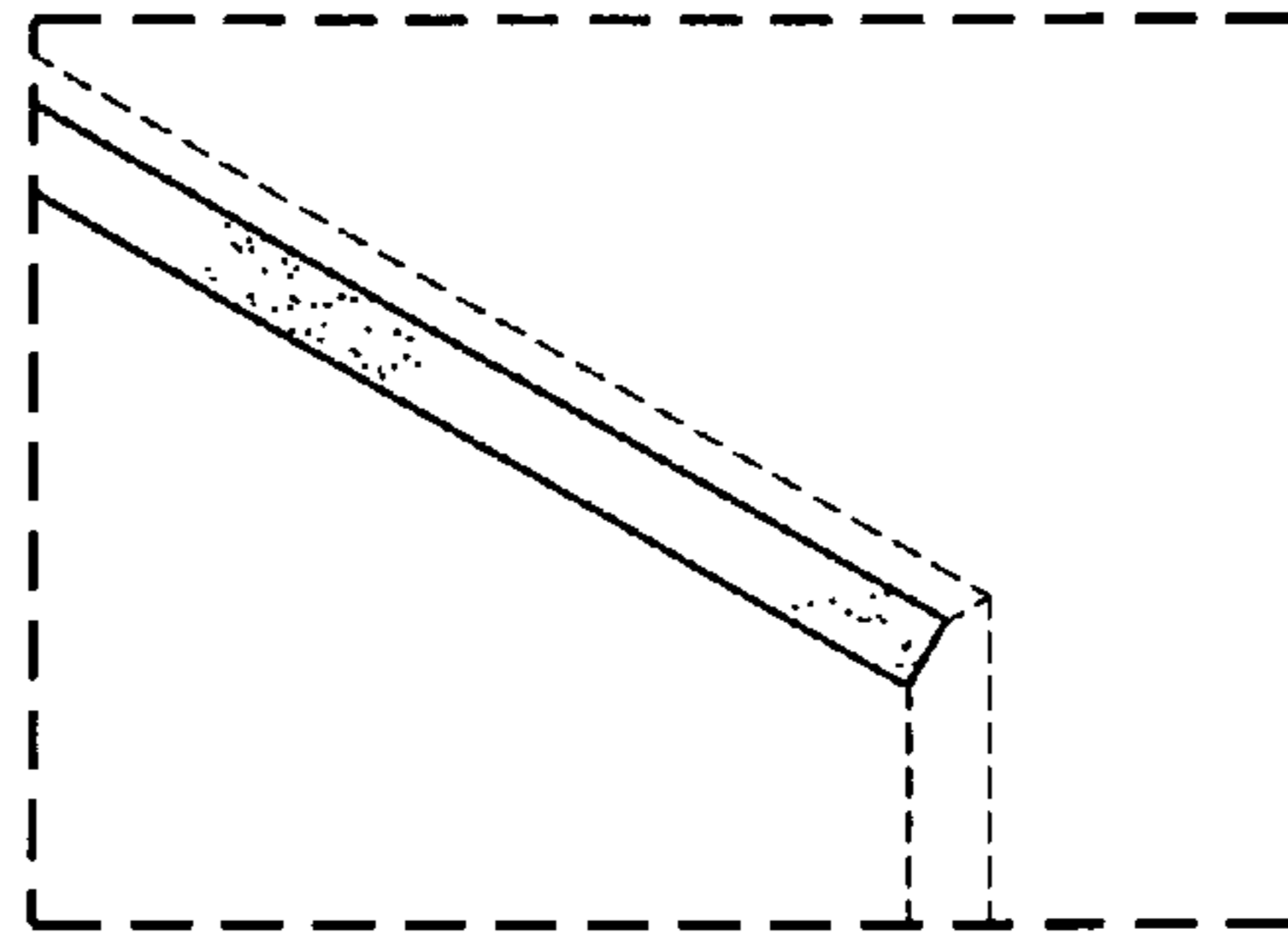


FIG. 4

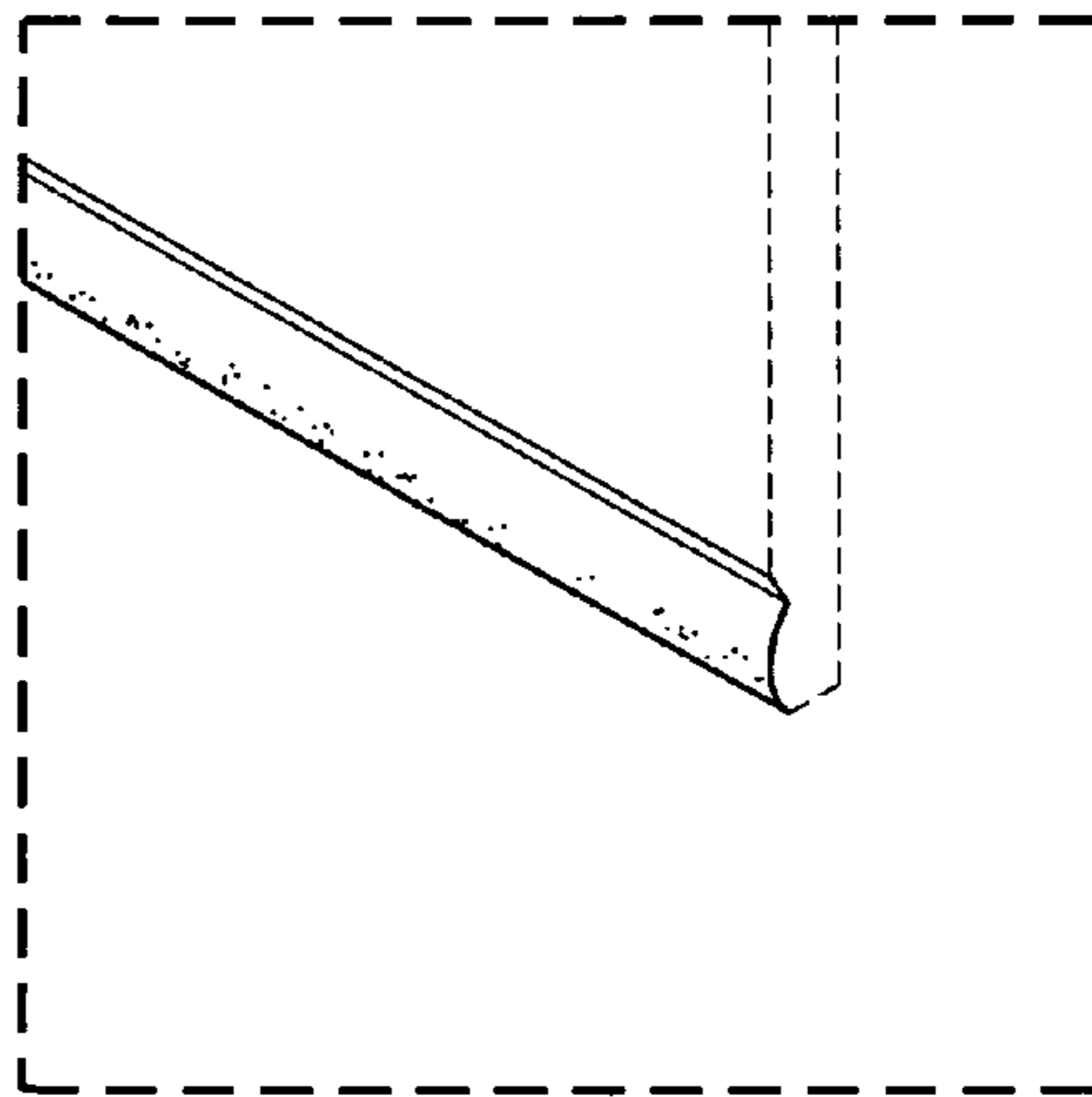


FIG. 5

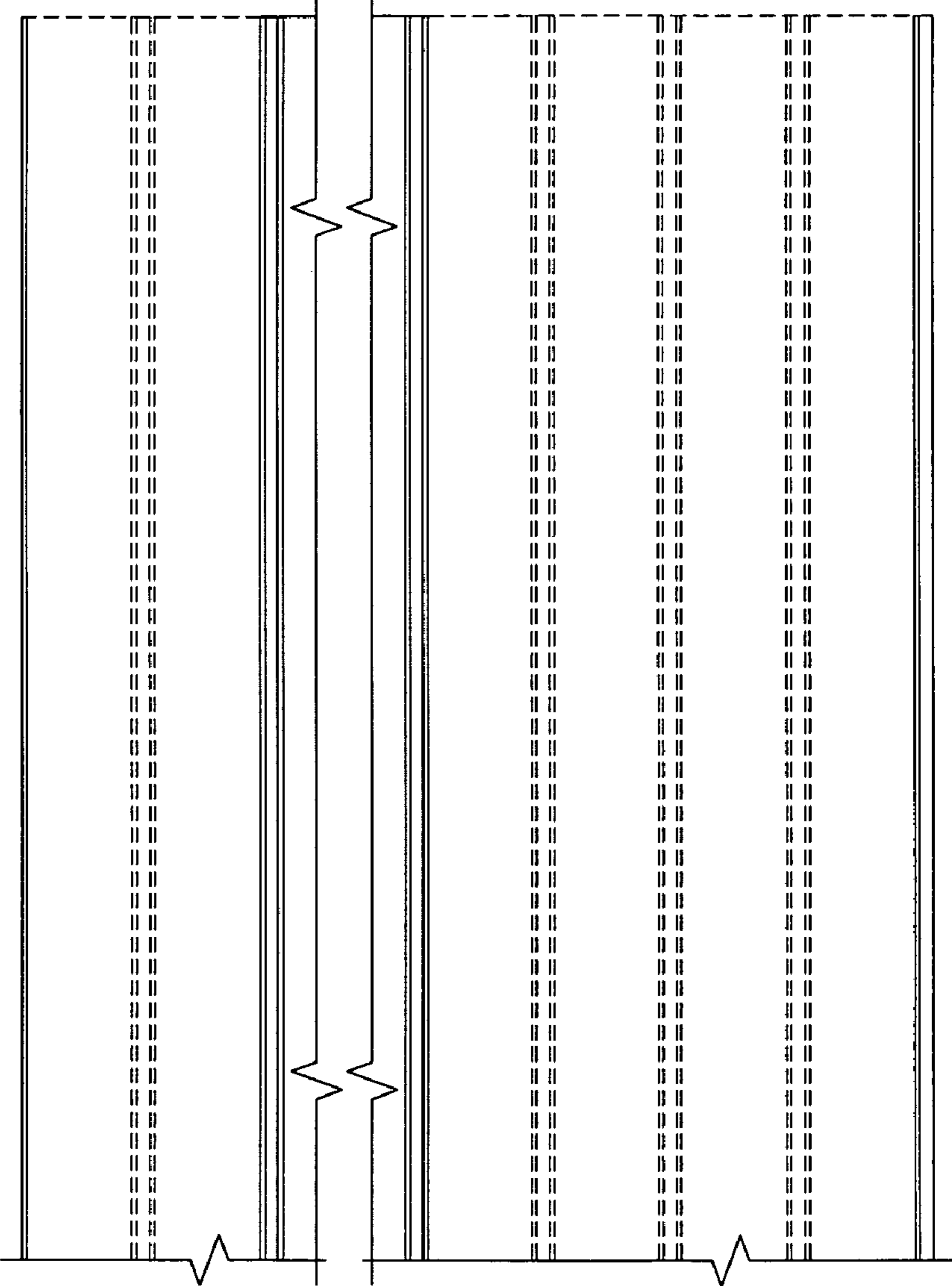
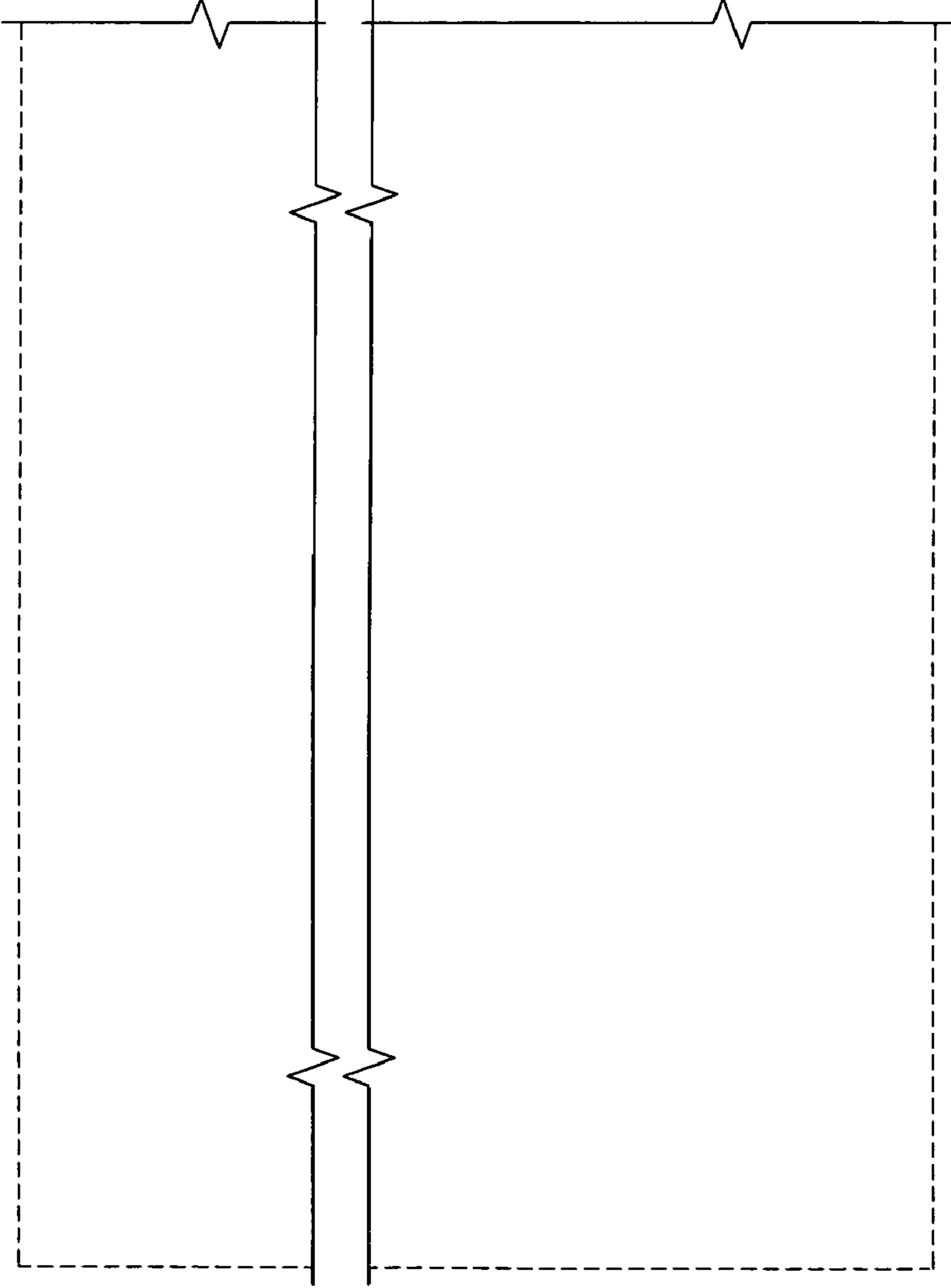


FIG. 6



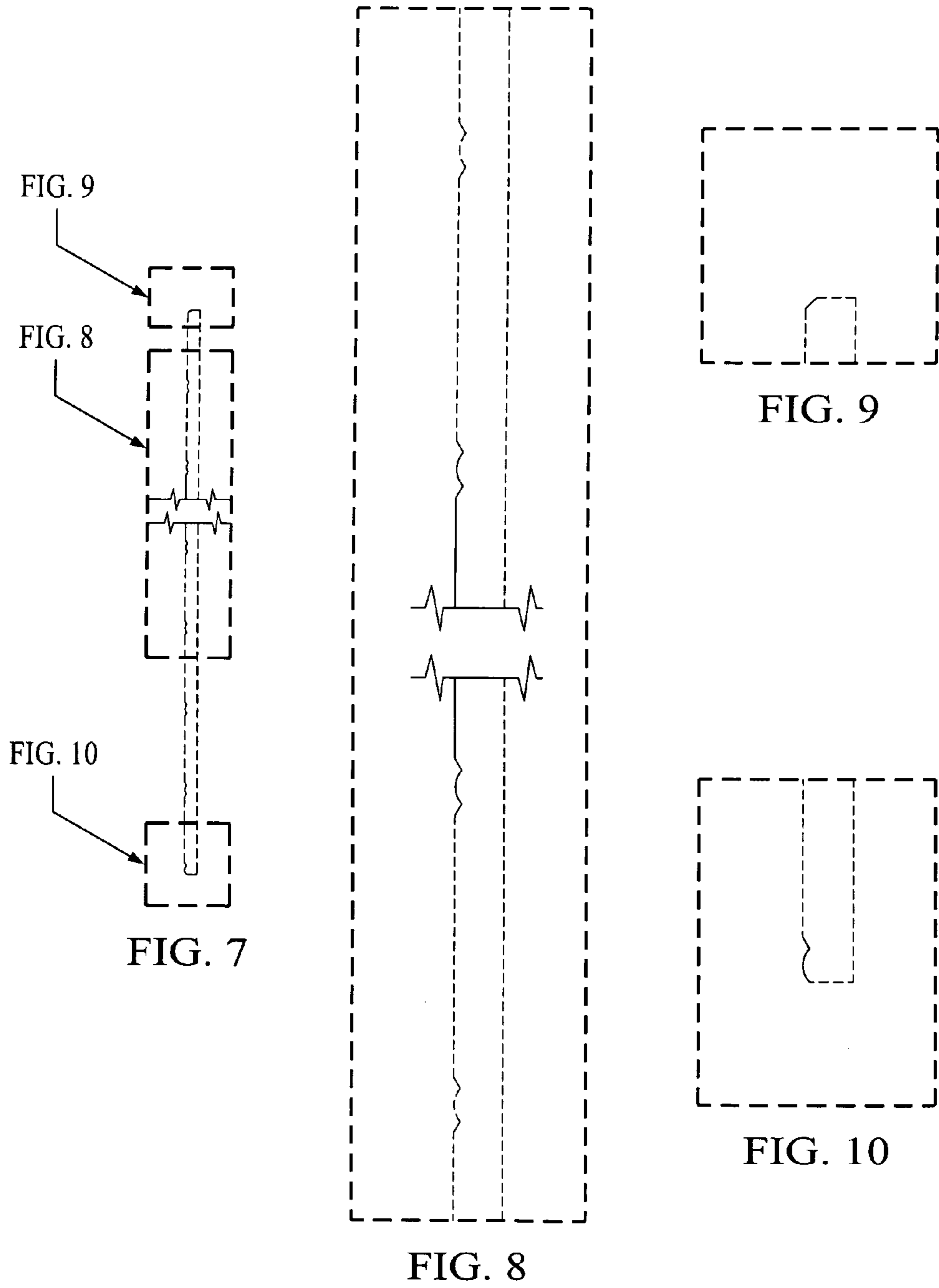


FIG. 11



FIG. 12

