



US00D618821S

(12) **United States Design Patent**  
**Larsen**

(10) **Patent No.:** **US D618,821 S**  
(45) **Date of Patent:** **\*\* Jun. 29, 2010**

(54) **TRAY**  
(75) Inventor: **Kristian Larsen, Vaerloose (DK)**  
(73) Assignee: **Ferrosan A/S, Soborg (DE)**  
(\*\*) Term: **14 Years**  
(21) Appl. No.: **29/341,082**  
(22) Filed: **Jul. 30, 2009**

D280,933 S \* 10/1985 McLaughlin ..... D24/229  
D283,051 S \* 3/1986 Fichera ..... D24/123  
D287,760 S \* 1/1987 Discko, Jr. .... D24/229  
D334,973 S \* 4/1993 Valentine et al. .... D24/227  
D337,830 S \* 7/1993 Coyne et al. .... D24/229  
D343,687 S \* 1/1994 Houghton et al. .... D24/229  
D351,661 S \* 10/1994 Fischer ..... D24/230  
D387,177 S \* 12/1997 Davis ..... D24/227  
D450,130 S \* 11/2001 Goldstein ..... D24/227  
D596,311 S \* 7/2009 Antons ..... D24/227  
D608,015 S \* 1/2010 Sandel ..... D24/227  
D608,456 S \* 1/2010 Sandel ..... D24/227

(51) **LOC (9) Cl.** ..... **24-01**  
(52) **U.S. Cl.** ..... **D24/227**  
(58) **Field of Classification Search** ..... D24/123,  
D24/176, 216, 224, 227-232; 422/99, 102,  
422/104, 297, 300; 433/77; D3/304, 307,  
D3/308, 314, 315; D7/500, 550.1, 543, 602,  
D7/554.3, 361, 354, 587; 206/438; D9/425;  
D6/406.1, 406.3, 406.4

\* cited by examiner

*Primary Examiner*—T. Chase Nelson  
*Assistant Examiner*—Mark Cavanna  
(74) *Attorney, Agent, or Firm*—Gifford, Krass, Sprinkle,  
Anderson & Citkowski, P.C.

See application file for complete search history.

(57) **CLAIM**

The ornamental design for a tray, as shown and described.

(56) **References Cited**

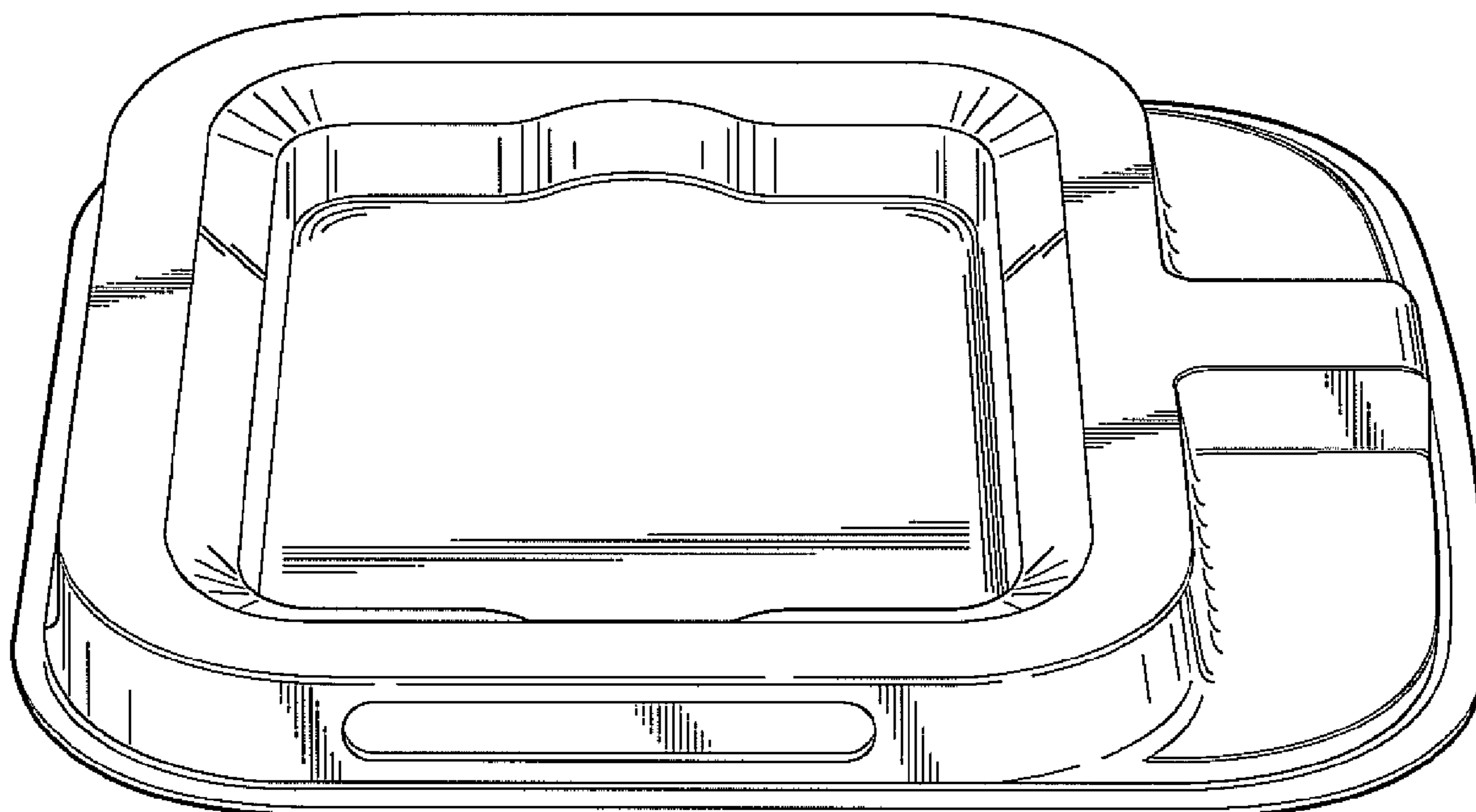
**U.S. PATENT DOCUMENTS**

D218,077 S \* 7/1970 Gabriel ..... D24/229  
D234,404 S \* 2/1975 Merrill ..... D24/230  
D237,315 S \* 10/1975 Norkowski ..... D24/226  
D237,317 S \* 10/1975 Norkowski ..... D24/229  
D243,798 S \* 3/1977 Swartz ..... D24/226  
D248,871 S \* 8/1978 Forsman et al. .... D24/230  
D249,362 S \* 9/1978 Forsman et al. .... D24/230  
D262,995 S \* 2/1982 Gaba et al. .... D24/229  
D268,130 S \* 3/1983 Easton ..... D24/230  
D275,886 S \* 10/1984 Sheward et al. .... D24/227  
D276,462 S \* 11/1984 Villarreal ..... D24/229  
D280,663 S \* 9/1985 Albon et al. .... D24/226

**DESCRIPTION**

FIG. 1 is a top, perspective view of a tray embodying my design;  
FIG. 2 is a top, plan view of the tray of FIG. 1;  
FIG. 3 is a front, elevation view of the tray of FIG. 1;  
FIG. 4 is a rear, elevation view of the tray of FIG. 1;  
FIG. 5 is a right side view of the tray of FIG. 1, it being understood that the left side view is a mirror image thereof;  
FIG. 6 is a bottom plan view of the tray of FIG. 1; and,  
FIG. 7 is a bottom, perspective view of the tray of FIG. 1.

**1 Claim, 5 Drawing Sheets**



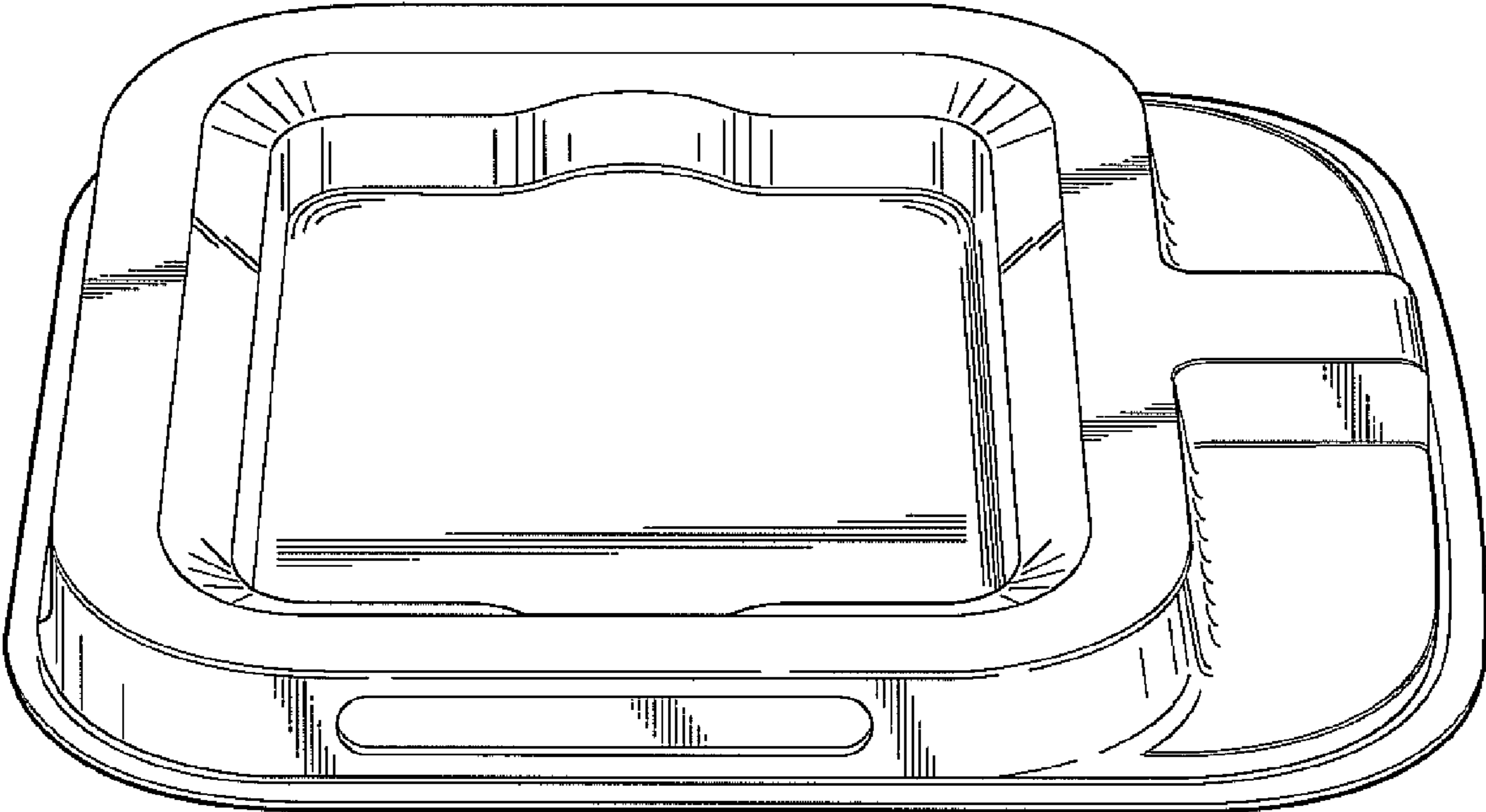


FIG. 1

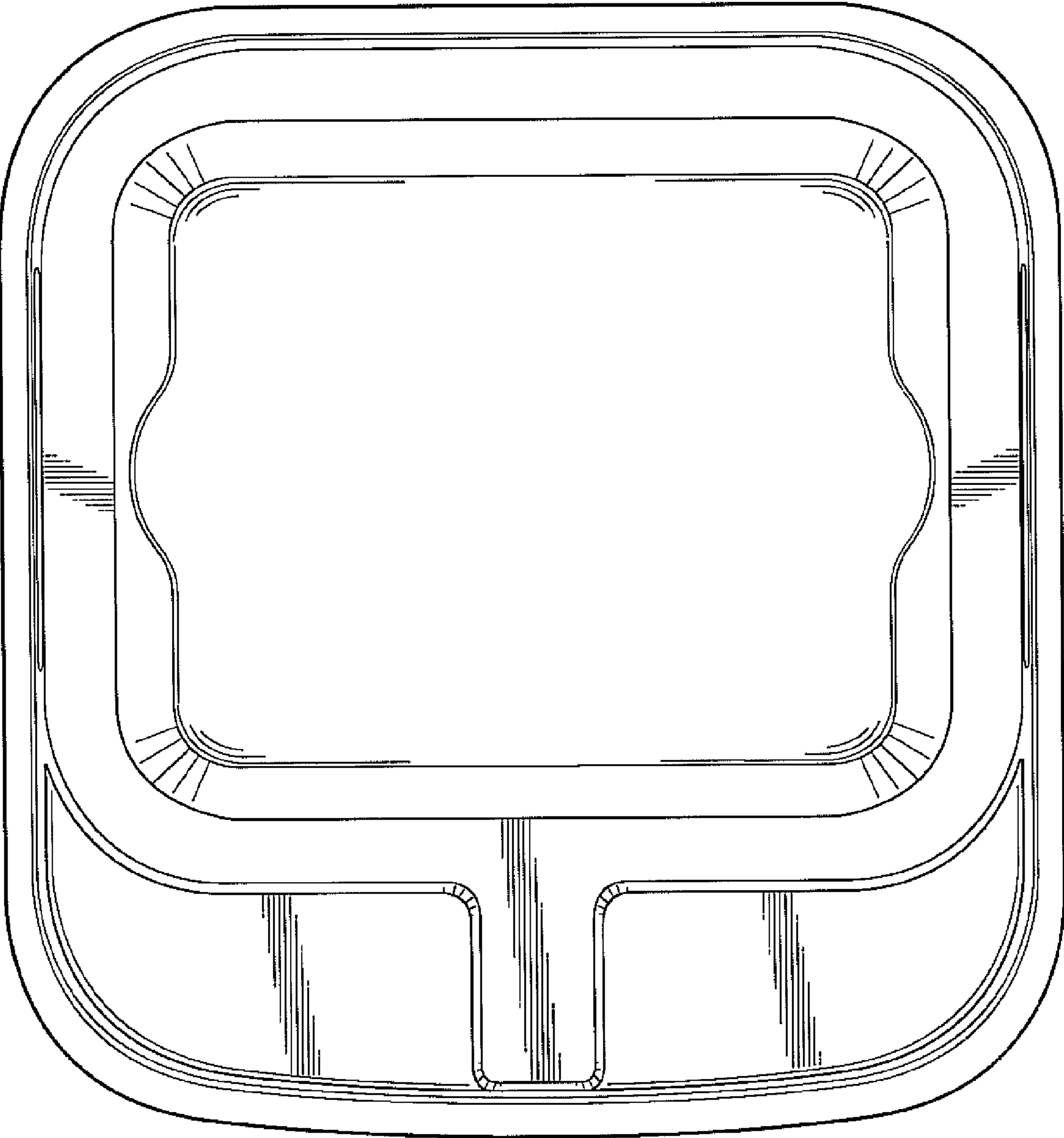
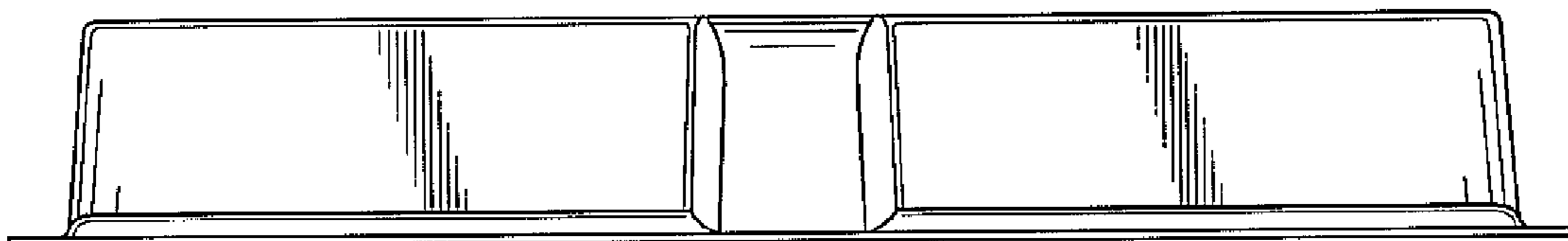
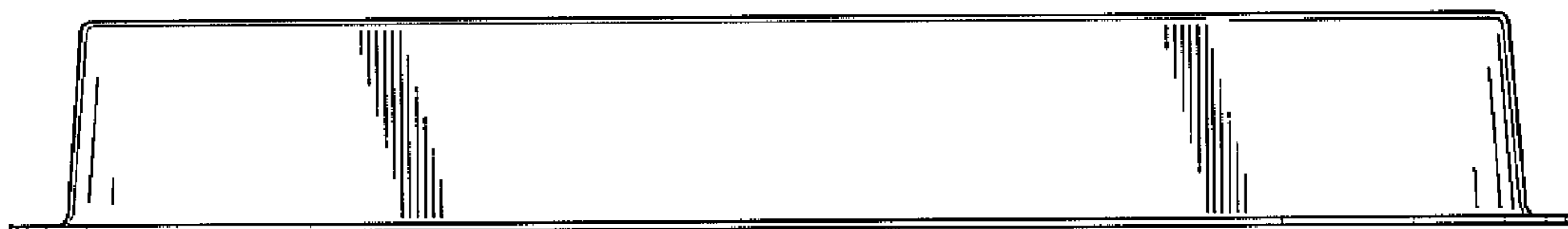


FIG. 2

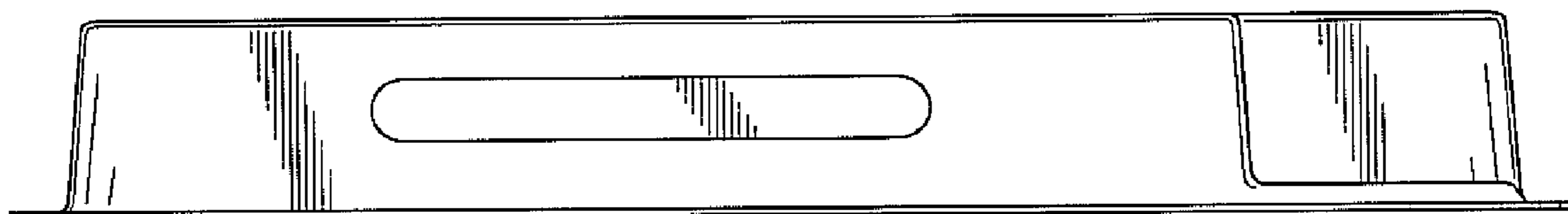
**FIG. 3**



**FIG. 4**



**FIG. 5**



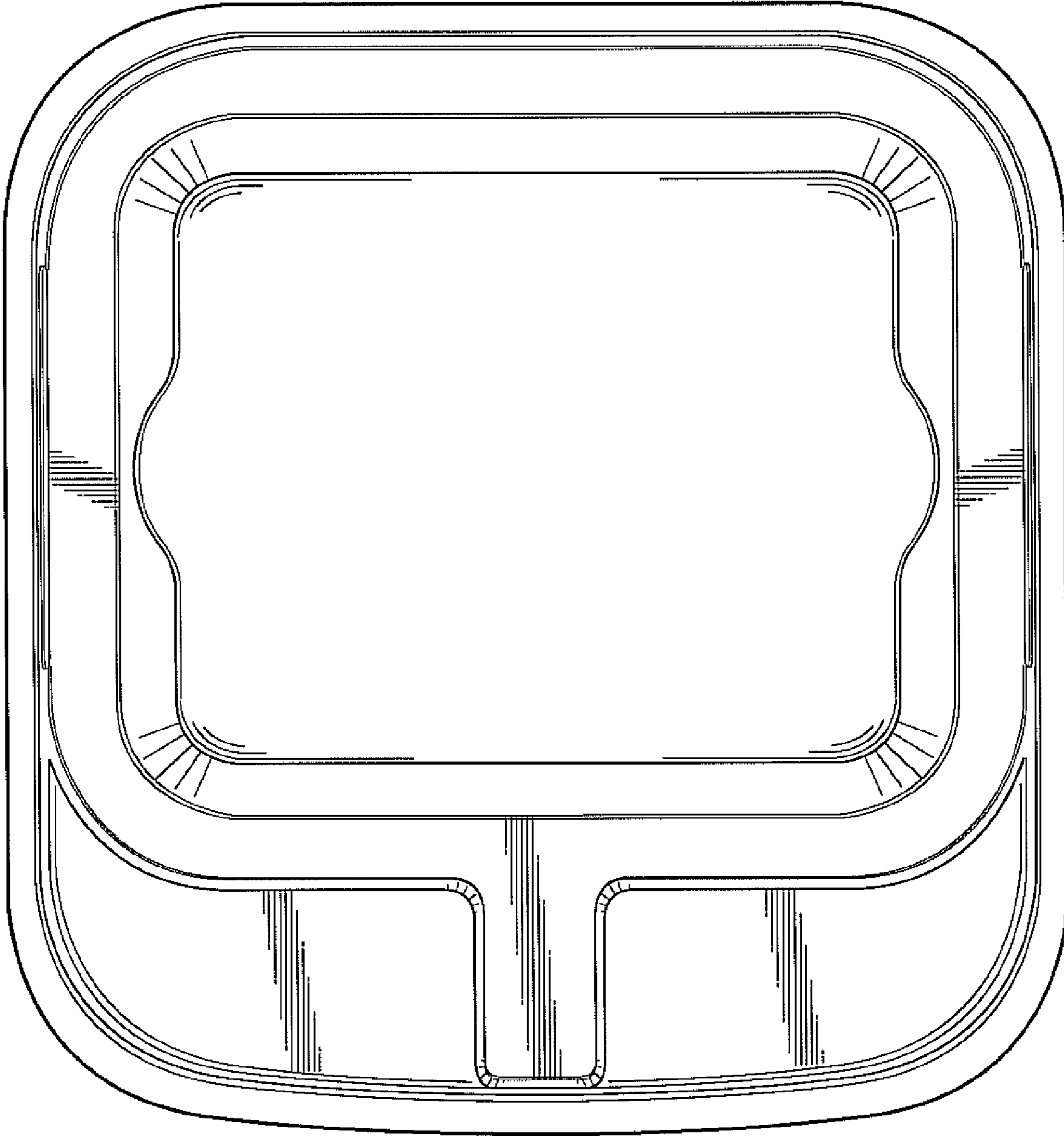
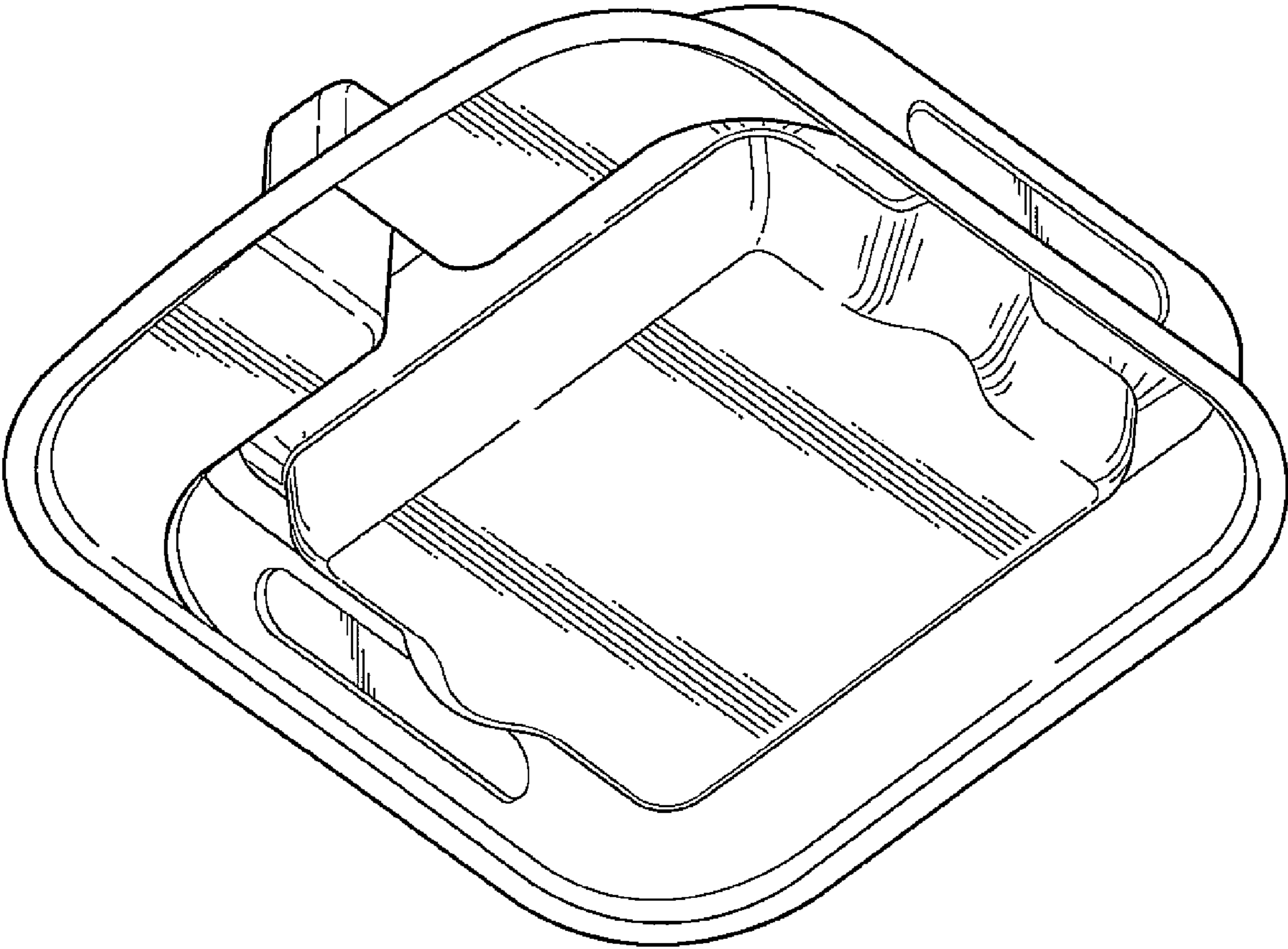


FIG. 6

FIG. 7



UNITED STATES PATENT AND TRADEMARK OFFICE  
**CERTIFICATE OF CORRECTION**

PATENT NO. : D618,821 S  
APPLICATION NO. : 29/341082  
DATED : June 29, 2010  
INVENTOR(S) : Kristian Larsen

Page 1 of 1

It is certified that error appears in the above-identified patent and that said Letters Patent is hereby corrected as shown below:

Title page 1, item 73, the country code in the Assignee address should be “DK” not “DE”

Title page 1, the Locarno class should be “Locarno Class 09-03”, not “Locarno class  
24-01”

Signed and Sealed this  
Tenth Day of July, 2012



David J. Kappos  
*Director of the United States Patent and Trademark Office*