



US00D618820S

(12) **United States Design Patent**
Wilson et al.

(10) **Patent No.:** **US D618,820 S**
(45) **Date of Patent:** **** *Jun. 29, 2010**

(54) **REAGENT HOLDER**

(75) Inventors: **Kerry Wilson**, Elkhart, IN (US); **Kalyan Handique**, Ypsilanti, MI (US); **Jeff Williams**, Chelsea, MI (US); **Sundaresh N. Brahmasandra**, Ann Arbor, MI (US)

(73) Assignee: **HandyLab, Inc.**, Ann Arbor, MI (US)

(**) Term: **14 Years**

(21) Appl. No.: **29/321,200**

(22) Filed: **Jul. 11, 2008**

(51) **LOC (9) Cl.** **24-02**

(52) **U.S. Cl.** **D24/227; D24/230**

(58) **Field of Classification Search** D24/216,
D24/224, 227-232; 422/63-64, 99-104,
422/266, 297, 300; 211/74, 71.01, 85.13;
217/58; D3/294, 295; 206/443, 563
See application file for complete search history.

(56) **References Cited**

U.S. PATENT DOCUMENTS

| | | | | | | |
|-----------|----|---|---------|-------------------|-------|---------|
| D249,706 | S | * | 9/1978 | Adamski | | D24/230 |
| 4,720,374 | A | | 1/1988 | Ramachandran | | |
| D333,522 | S | * | 2/1993 | Gianino | | D24/229 |
| 5,186,339 | A | * | 2/1993 | Heissler | | 422/104 |
| D382,346 | S | * | 8/1997 | Buhler et al. | | D24/227 |
| D413,391 | S | * | 8/1999 | Lapeus et al. | | D24/229 |
| D413,677 | S | * | 9/1999 | Dumitrescu et al. | | D24/227 |
| D417,009 | S | * | 11/1999 | Boyd | | D24/229 |
| D420,747 | S | * | 2/2000 | Dumitrescu et al. | | D24/227 |
| D421,130 | S | * | 2/2000 | Cohen et al. | | D24/230 |
| 6,063,341 | A | | 5/2000 | Fassbind et al. | | |
| D428,497 | S | * | 7/2000 | Lapeus et al. | | D24/227 |
| 6,123,205 | A | * | 9/2000 | Dumitrescu et al. | | 211/74 |
| D433,759 | S | * | 11/2000 | Mathis et al. | | D24/227 |
| 6,517,783 | B2 | | 2/2003 | Horner et al. | | |
| 6,602,474 | B1 | | 8/2003 | Tajima | | |
| D484,989 | S | * | 1/2004 | Gebrian | | D24/230 |

| | | | | | | |
|--------------|----|---|---------|------------------|-------|---------|
| D534,280 | S | * | 12/2006 | Gomm et al. | | D24/224 |
| D595,423 | S | * | 6/2009 | Johansson et al. | | D24/229 |
| D596,312 | S | * | 7/2009 | Giraud et al. | | D24/230 |
| 2002/0021983 | A1 | * | 2/2002 | Comte et al. | | 422/65 |
| 2009/0129978 | A1 | | 5/2009 | Wilson et al. | | |

OTHER PUBLICATIONS

Bioron GmbH, "Bioron: Net—Advanced Products for Molecular Biology and PCR Diagnostics: OPT-reagent", Product Description, Copyright by Bioron GmbH, Ludwigshafen, Germany [retrieved on Aug. 13, 2009]. Retrieved from the Internet: <URL: <http://www.bioron.net/excellent-products-from-bioron/dna-rna-purification/one-tube-dna-purification.html>>, 2 pages.

* cited by examiner

Primary Examiner—T. Chase Nelson

Assistant Examiner—Mark Cavanna

(74) *Attorney, Agent, or Firm*—Knobbe Martens Olson & Bear LLP

(57) **CLAIM**

The ornamental design for a reagent holder, substantially as shown and described.

DESCRIPTION

FIG. 1 is a perspective view of a reagent holder showing our new design;

FIG. 2 is a first side plan view thereof;

FIG. 3 is a opposite second side plan view thereof;

FIG. 4 is a first end view thereof;

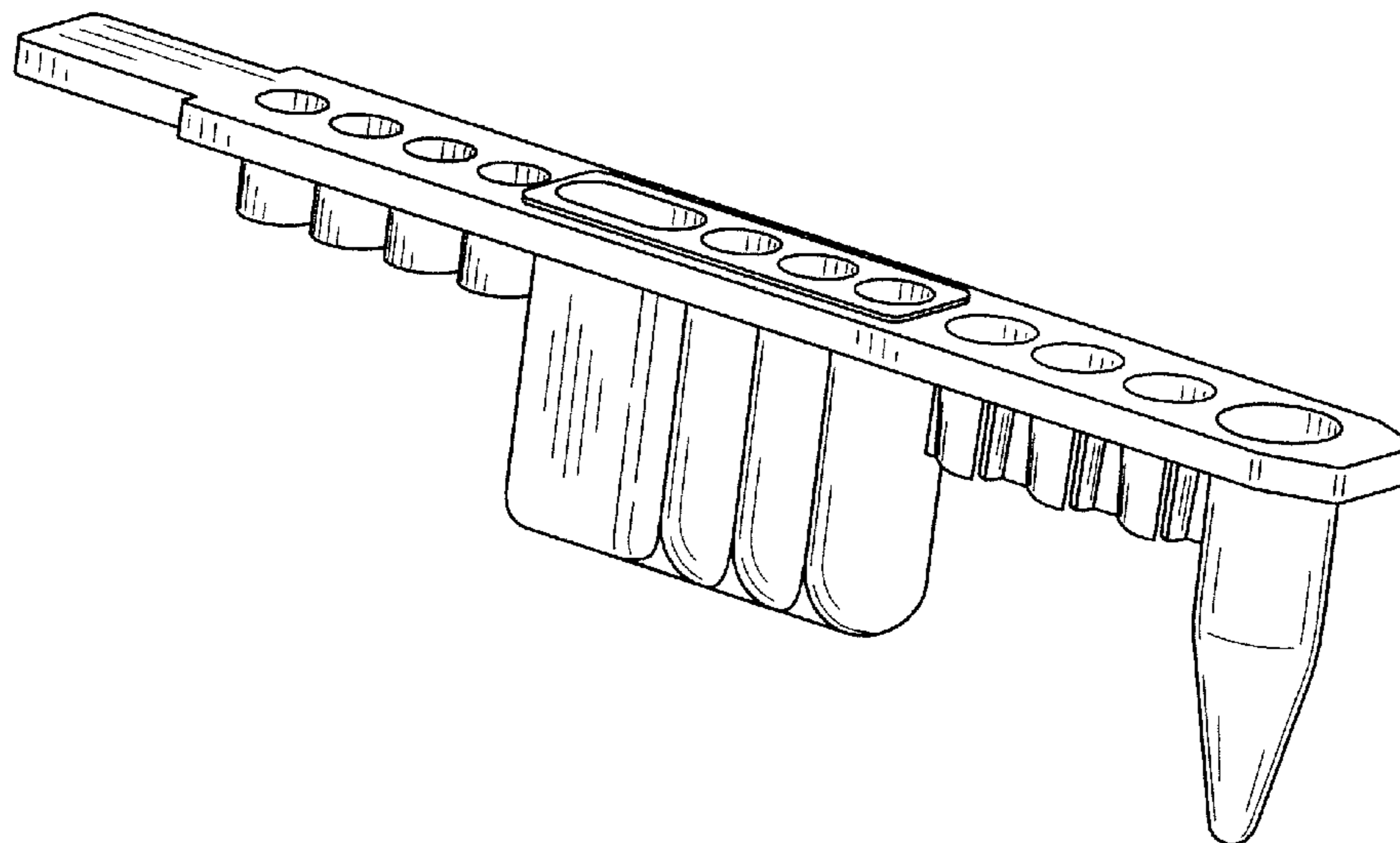
FIG. 5 is a opposite second end view thereof;

FIG. 6 is a top plan view thereof; and,

FIG. 7 is a bottom plan view thereof.

The broken lines shown on the top and bottom of the reagent holder are included for the purpose of illustrating portions of the reagent holder that forms no part of the claimed design.

1 Claim, 3 Drawing Sheets



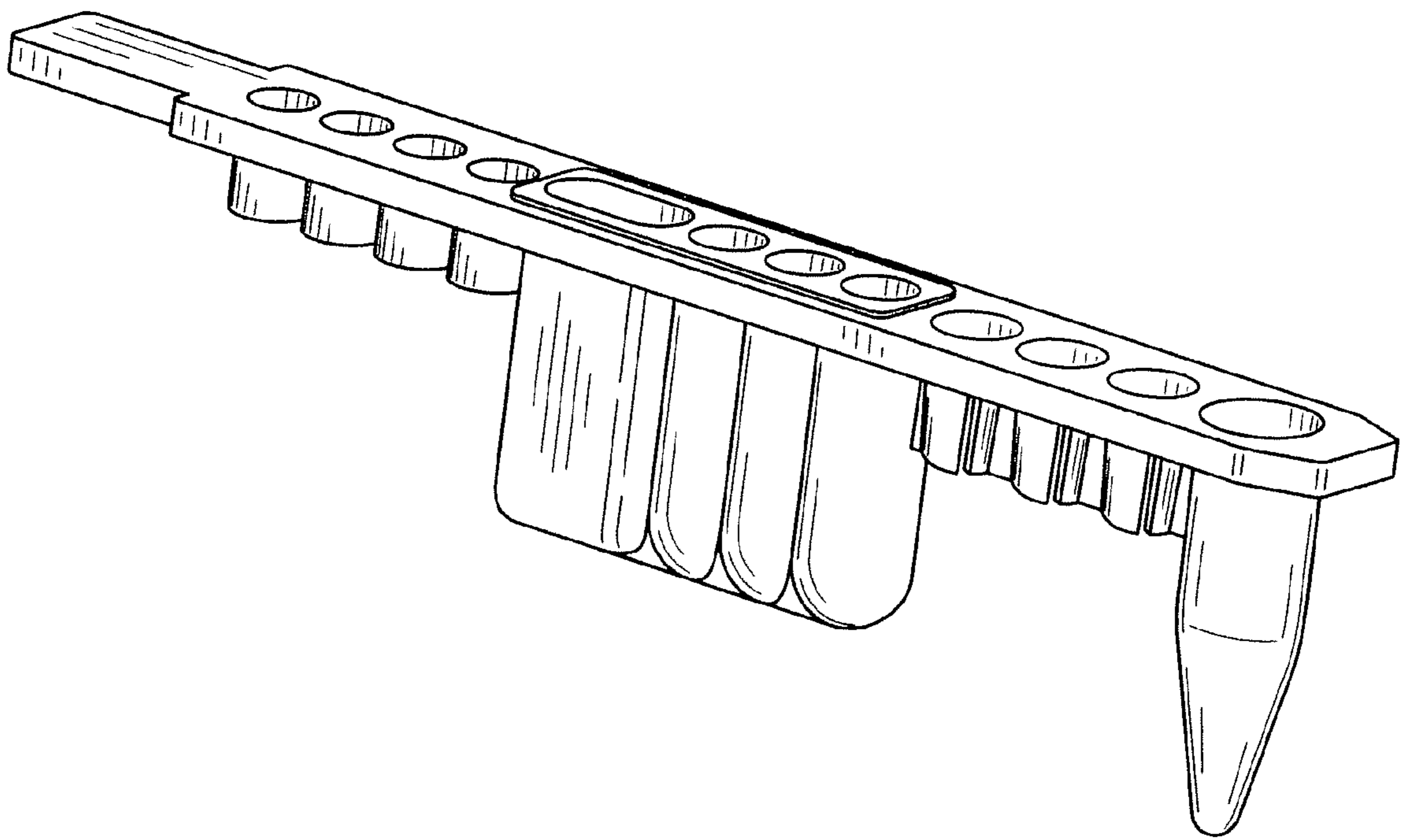


FIG. 1

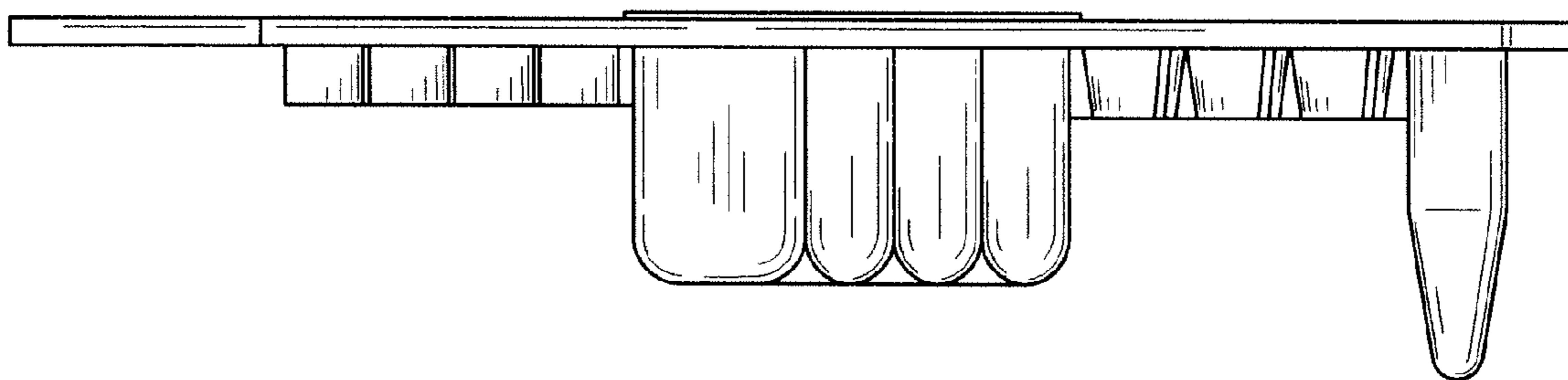


FIG. 2

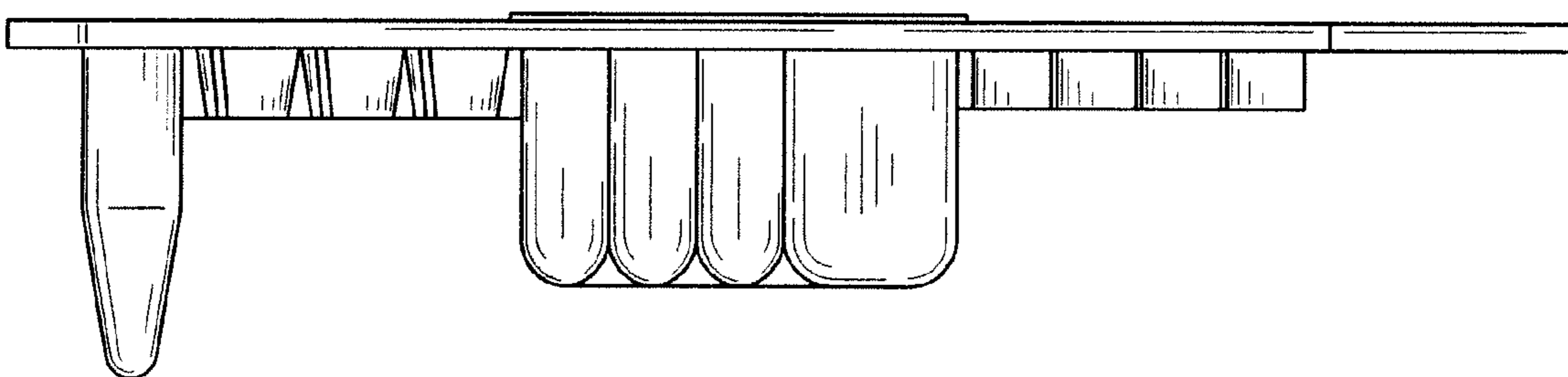


FIG. 3

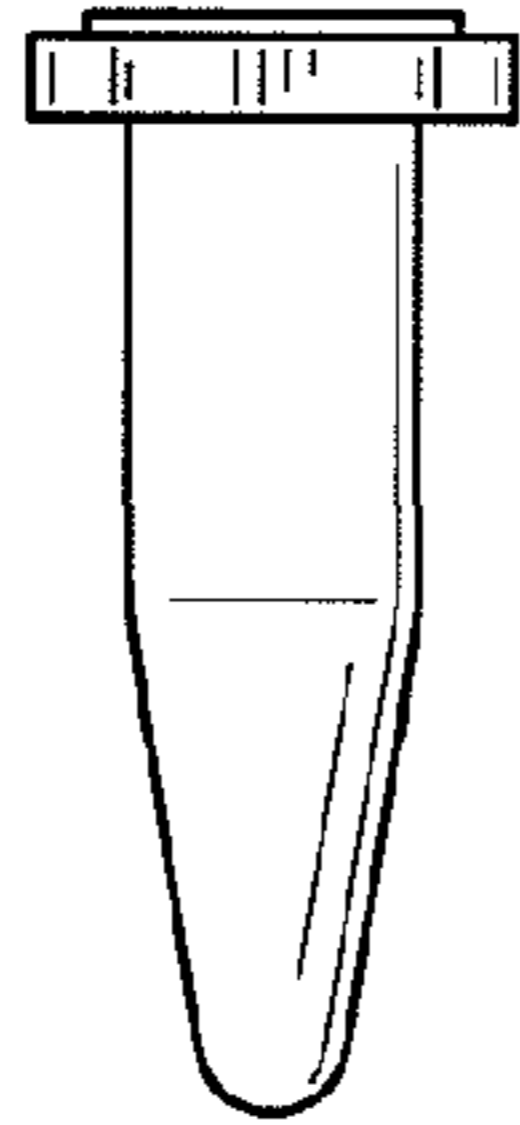


FIG. 4

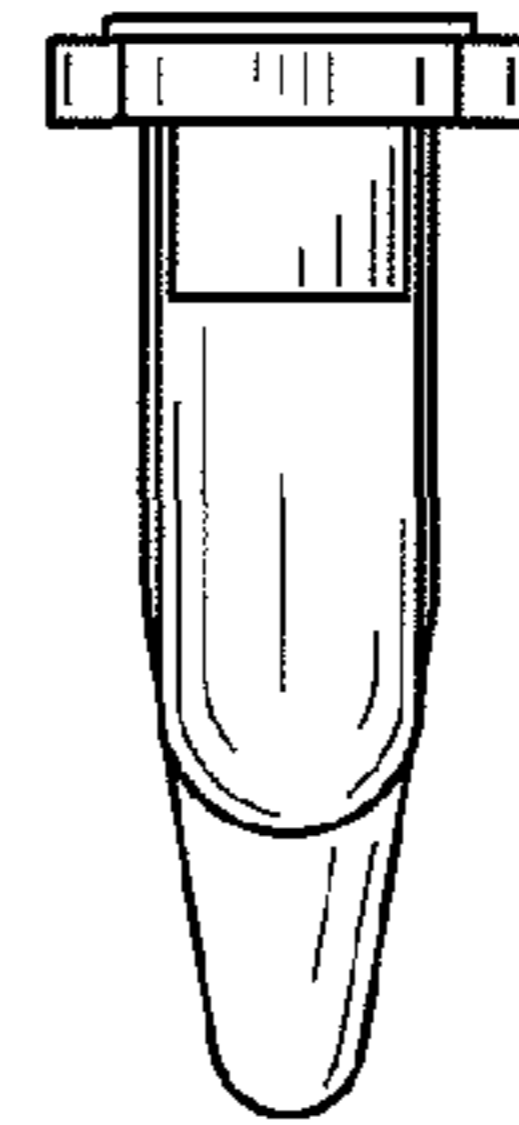


FIG. 5

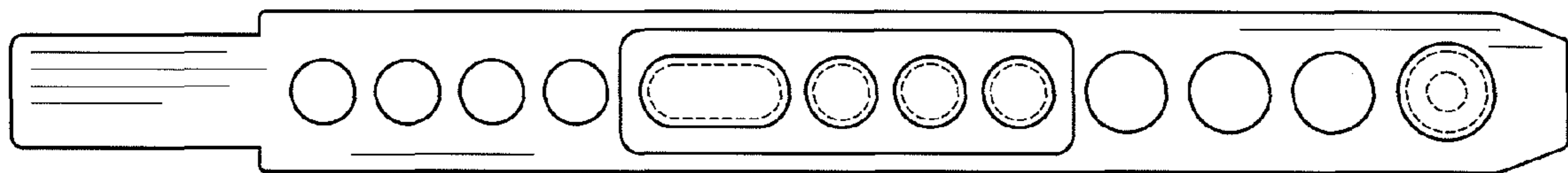


FIG. 6

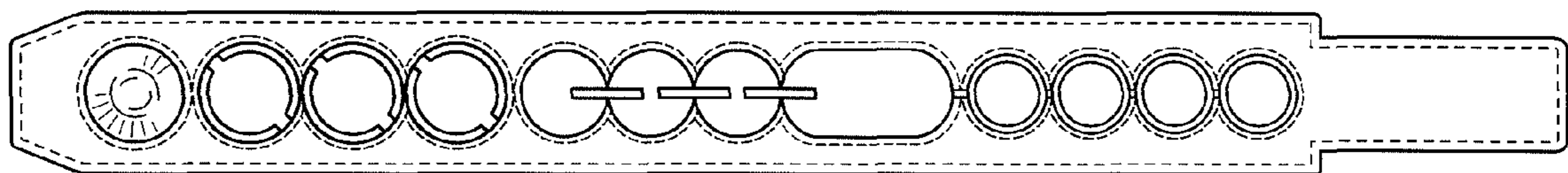


FIG. 7