



US00D618818S

(12) **United States Design Patent**
Hanson et al.

(10) **Patent No.:** **US D618,818 S**
(45) **Date of Patent:** **** Jun. 29, 2010**

(54) **8-VESSEL DISSOLUTION MACHINE**

(76) Inventors: **Royal A. Hanson**, 32351 Tempe Way, Westlake Village, CA (US) 91361; **Steven William Shaw**, 310 Granite St., Simi Valley, CA (US) 93065; **Guillermo E. Meneses**, 21200 Mayall St., Chatsworth, CA (US) 91311; **Robson Lindsay Splane, Jr.**, 30634 Persimmon La., Valley Center, CA (US) 92082; **William P. Debley**, 17424 Strathern, Northridge, CA (US) 91325

4,675,163 A * 6/1987 Mybeck 422/100
4,718,288 A * 1/1988 Leschonski et al. 73/863
D311,875 S * 11/1990 Dykstra et al. D10/81
D377,152 S * 1/1997 Hanson et al. D10/81
D424,458 S * 5/2000 Hanson et al. D10/81
D531,736 S * 11/2006 Gomm et al. D24/224

* cited by examiner

Primary Examiner—Elizabeth A Albert
Assistant Examiner—Kelley A Donnelly
(74) *Attorney, Agent, or Firm*—Sandy Lipkin

(**) Term: **14 Years**

(21) Appl. No.: **29/314,010**

(22) Filed: **Feb. 25, 2009**

(51) **LOC (9) Cl.** **24-03**

(52) **U.S. Cl.** **D24/220**

(58) **Field of Classification Search** D24/216,
D24/220; D10/81, 46; 73/863.24, 865.8,
73/864.23, 864.31, 864, 426

See application file for complete search history.

(56) **References Cited**

U.S. PATENT DOCUMENTS

2,472,419 A * 6/1949 Green 435/261
4,662,231 A * 5/1987 Schaarschmidt et al. 73/863

(57) **CLAIM**

The ornamental design for 8-vessel dissolution machine, as shown and described.

DESCRIPTION

FIG. 1 is a perspective view of the 8-vessel dissolution machine

FIG. 2 is a front view of the 8-vessel dissolution machine

FIG. 3 is a first side view of the 8-vessel dissolution machine

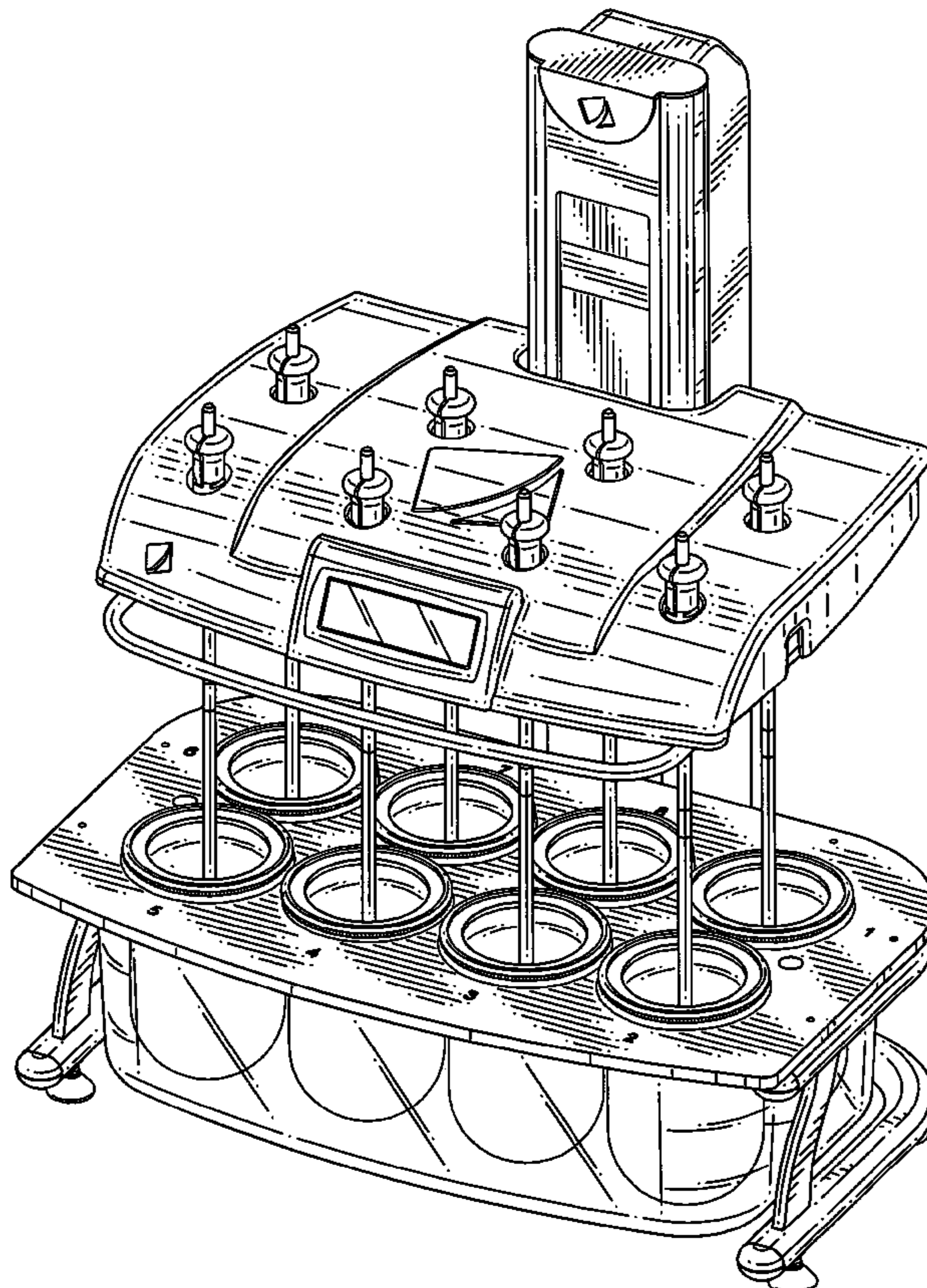
FIG. 4 is a second side view of the 8-vessel dissolution machine

FIG. 5 is a rear view of the 8-vessel dissolution machine

FIG. 6 is a top view of the 8-vessel dissolution machine; and,

FIG. 7 is a bottom view of the 8-vessel dissolution machine.

1 Claim, 7 Drawing Sheets



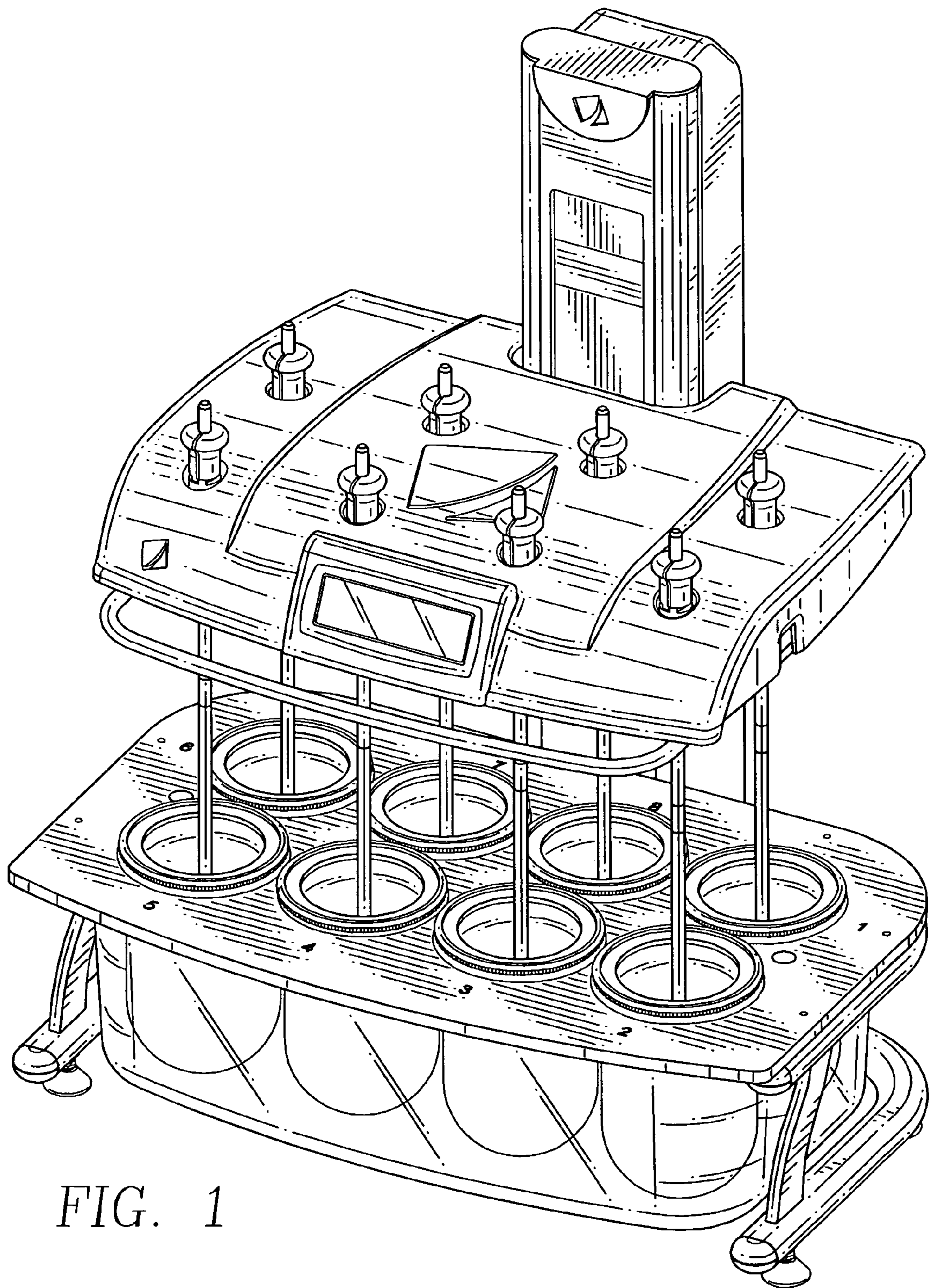


FIG. 1

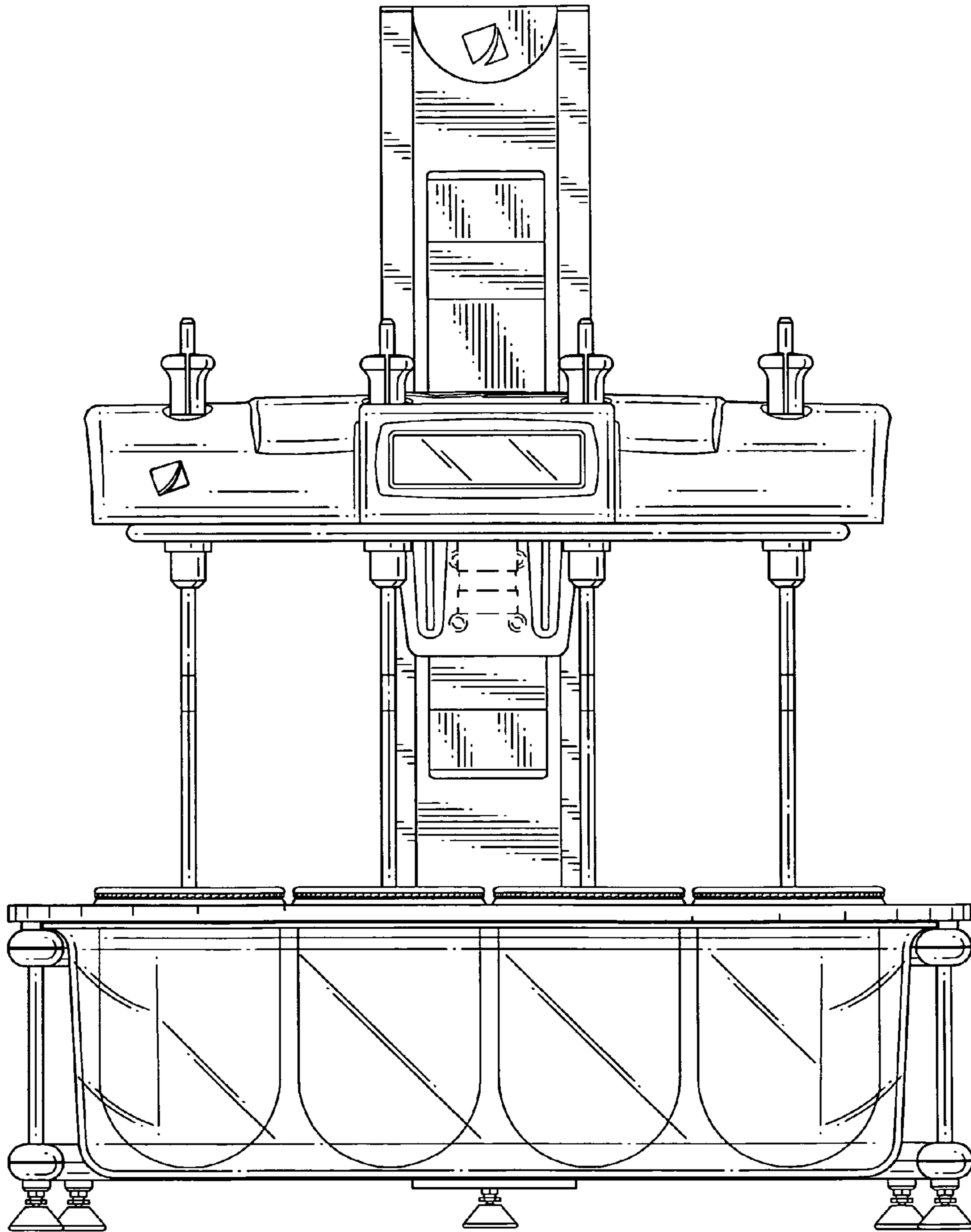


FIG. 2

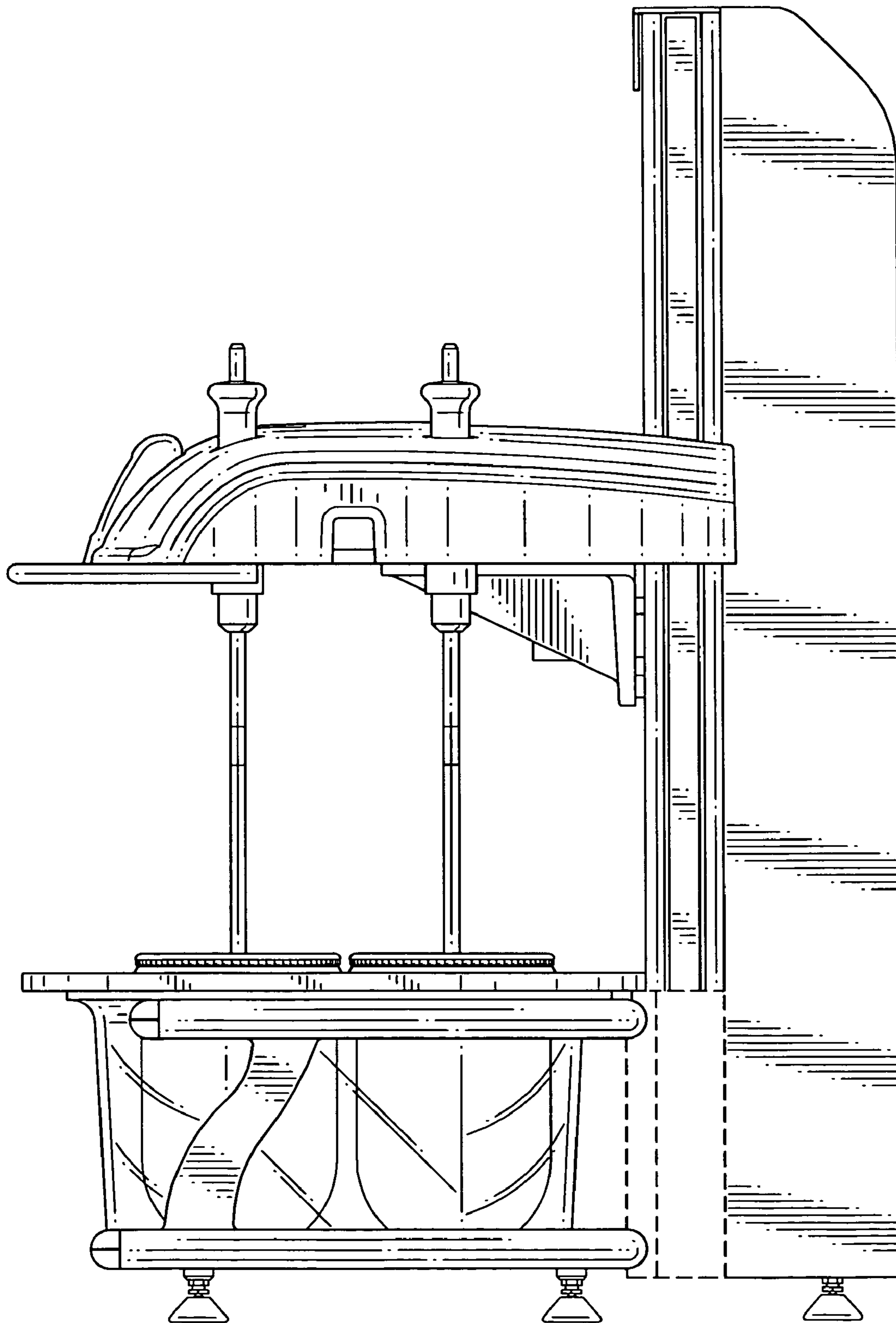


FIG. 3

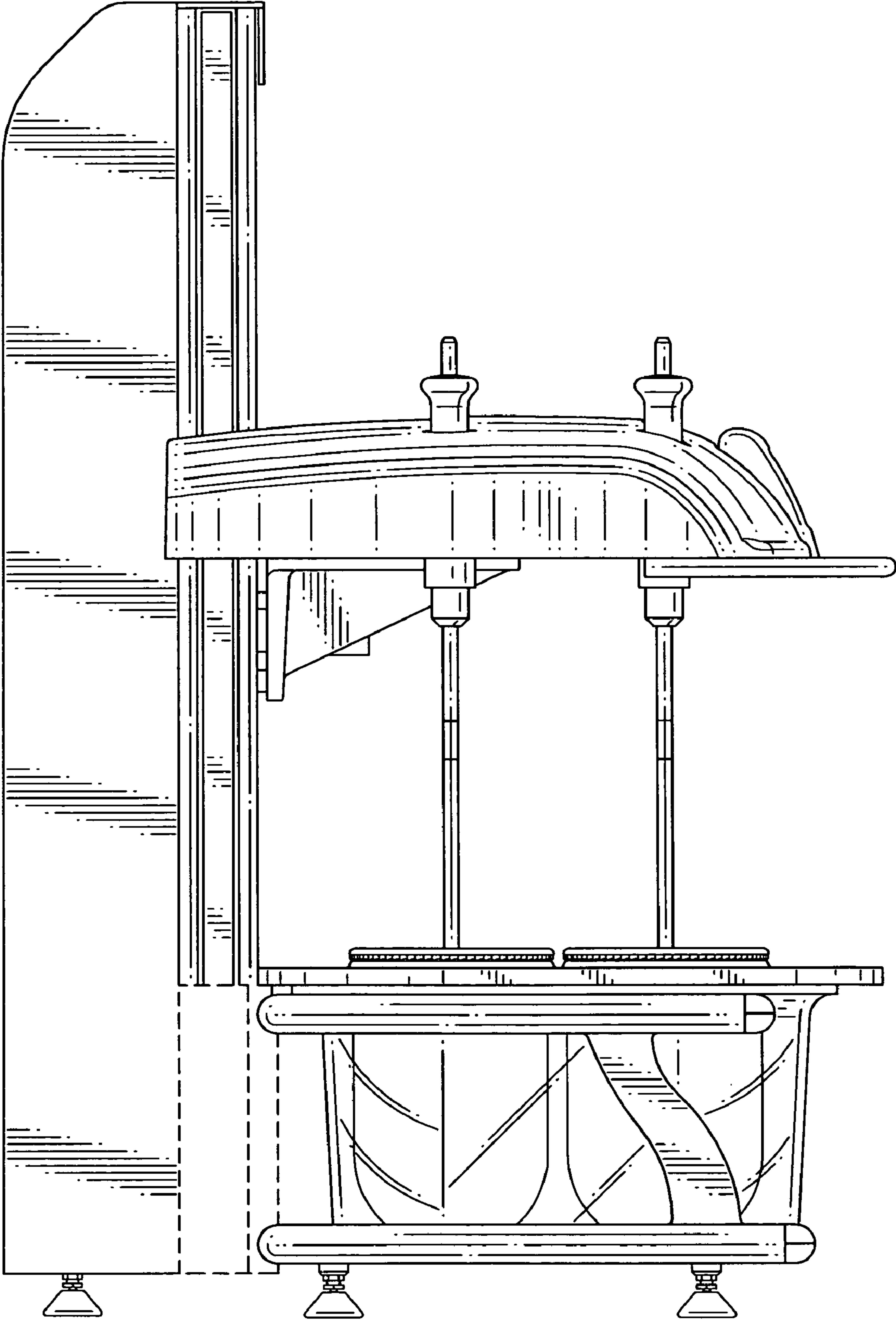


FIG. 4

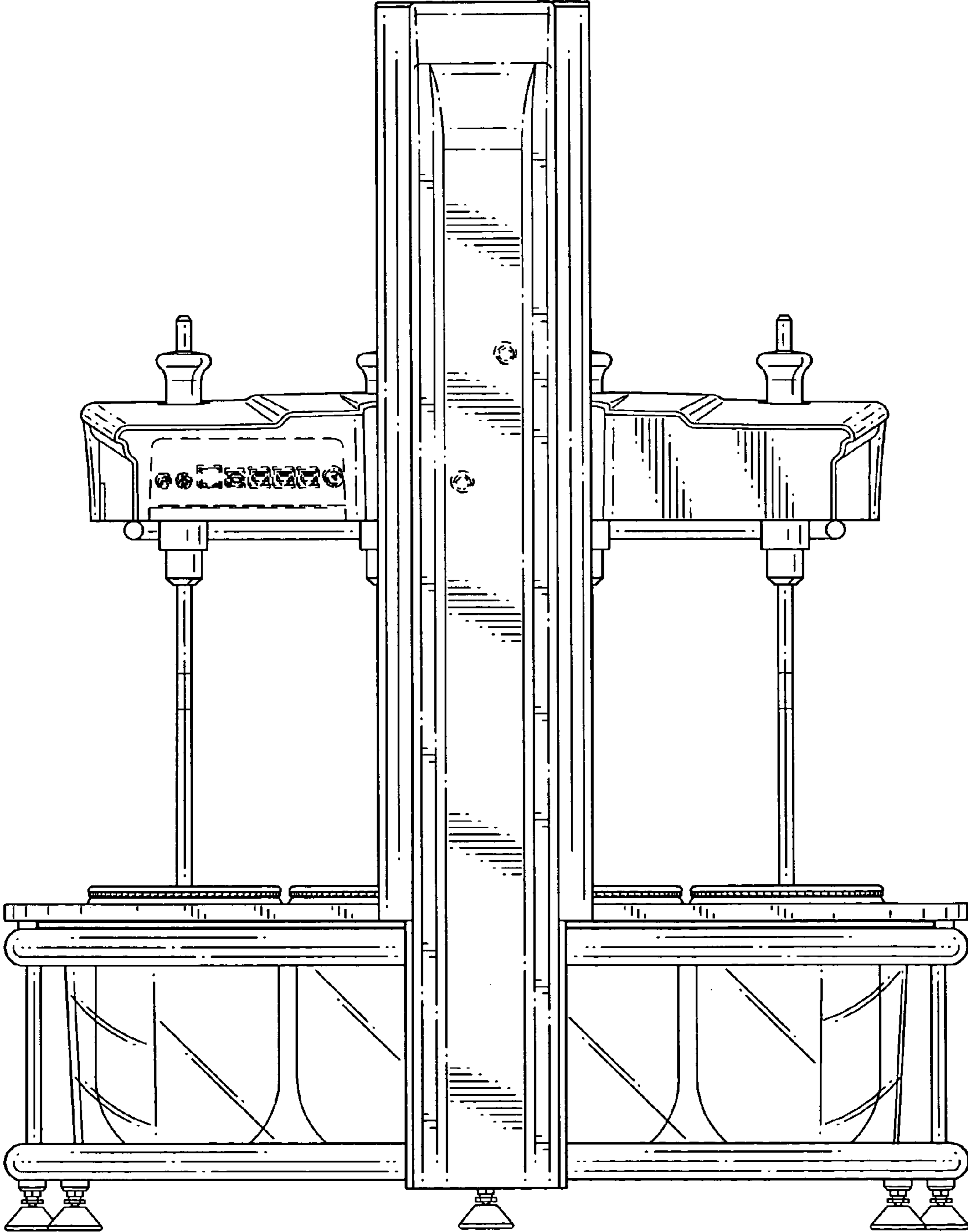


FIG. 5

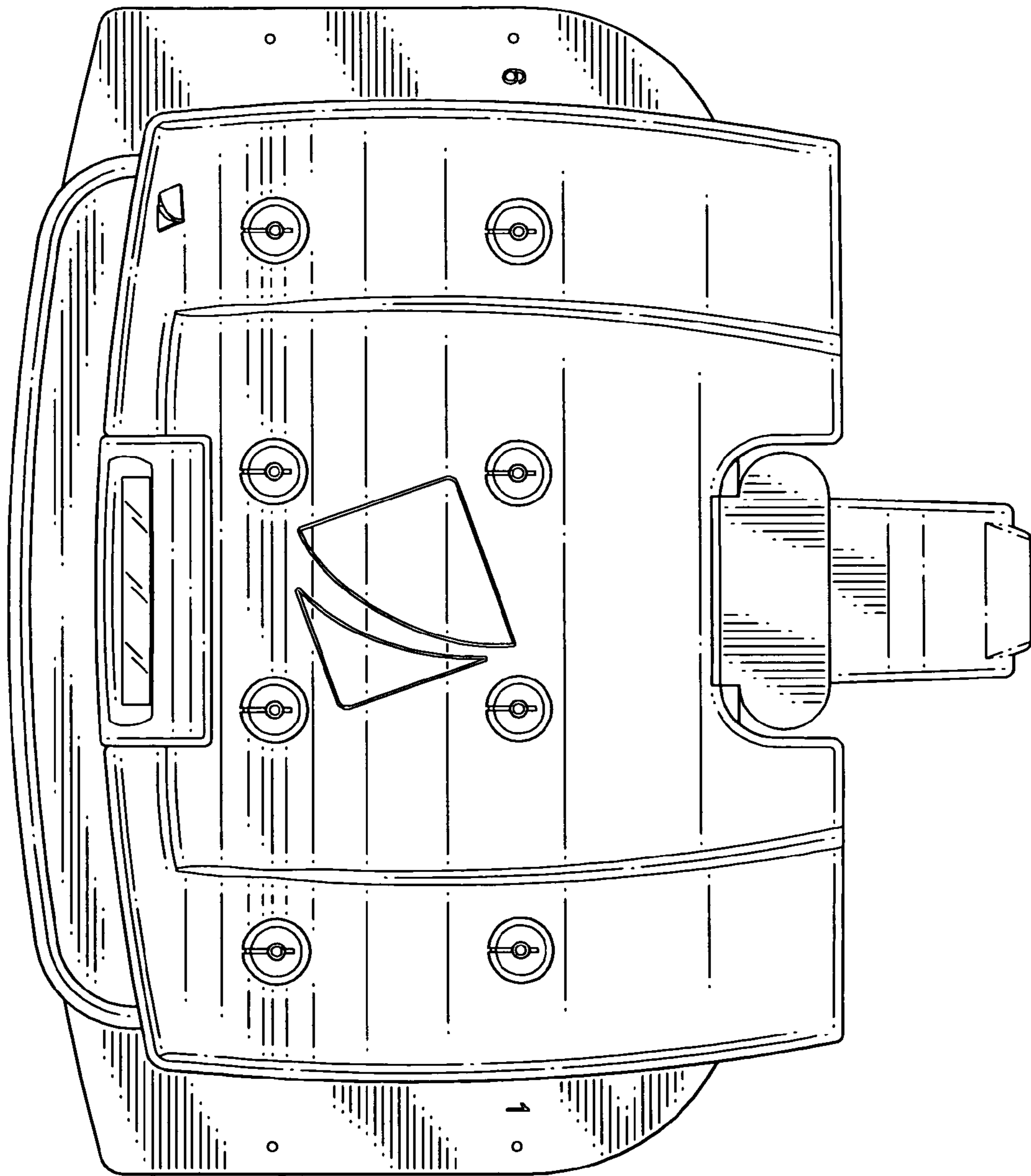


FIG. 6

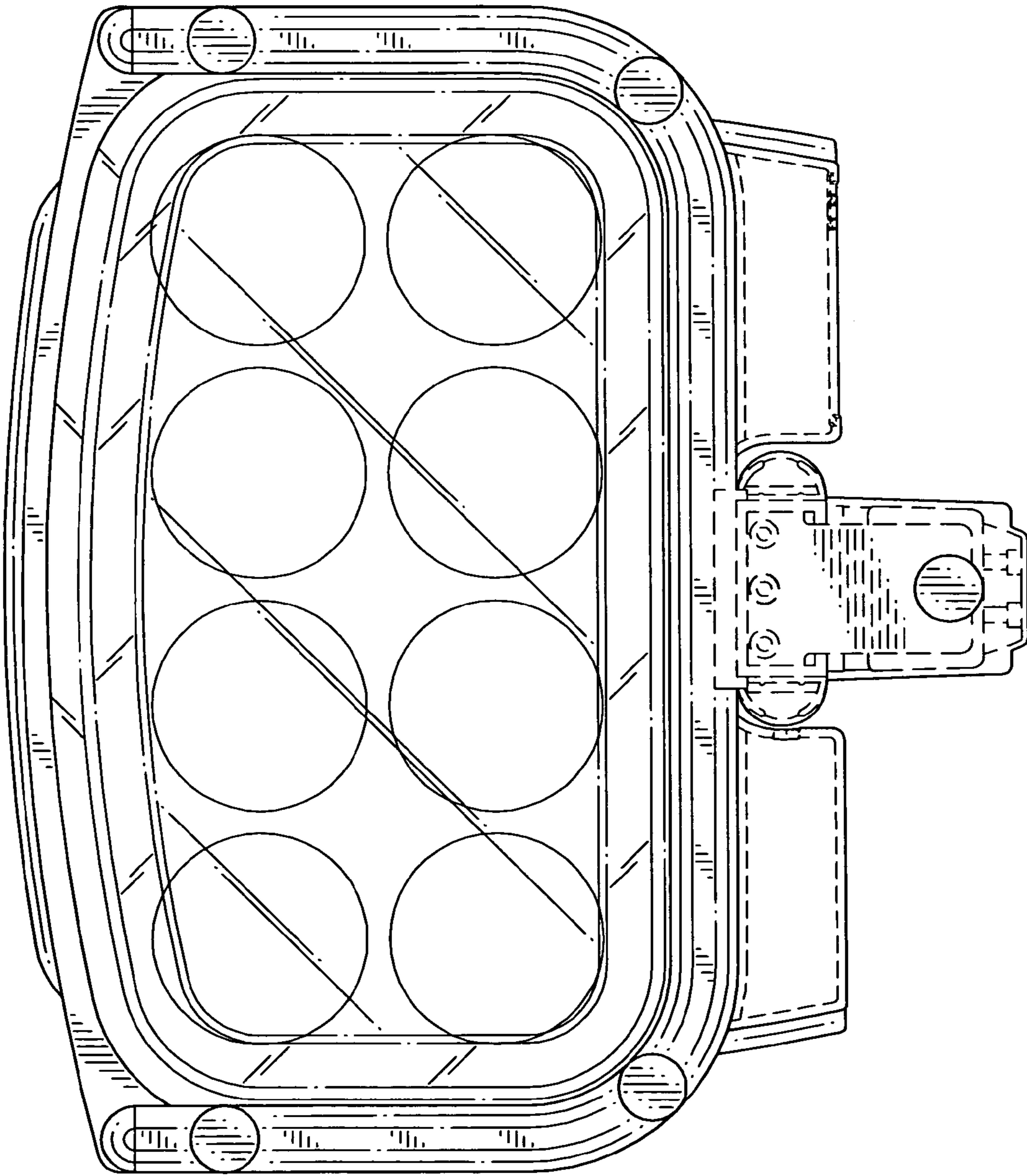


FIG. 7