



US00D618817S

(12) **United States Design Patent**  
**Hanson et al.**

(10) **Patent No.:** **US D618,817 S**  
(45) **Date of Patent:** **\*\* Jun. 29, 2010**

(54) **6-VESSEL DISSOLUTION MACHINE**

(76) Inventors: **Royal A. Hanson**, 32351 Tempe Way,  
Westlake Village, CA (US) 91361;  
**Steven William Shaw**, 310 Granite St.,  
Simi Valley, CA (US) 93065; **Guillermo**  
**E. Meneses**, 21200 Mayall St.,  
Chatsworth, CA (US) 91311; **Robson**  
**Lindsay Splane, Jr.**, 30634 Persimmon  
La., Valley Center, CA (US) 92082;  
**William P. Debley**, 17424 Strathern,  
Northridge, CA (US) 91325

4,675,163 A \* 6/1987 Mybeck ..... 422/100  
4,718,288 A \* 1/1988 Leschonski et al. .... 73/863  
D311,875 S \* 11/1990 Dykstra et al. .... D10/81  
D377,152 S \* 1/1997 Hanson et al. .... D10/81  
D424,458 S \* 5/2000 Hanson et al. .... D10/81  
D531,736 S \* 11/2006 Gomm et al. .... D24/224

\* cited by examiner

*Primary Examiner*—Elizabeth A Albert  
*Assistant Examiner*—Kelley A Donnelly  
(74) *Attorney, Agent, or Firm*—Sandy Lipkin

(\*\*) Term: **14 Years**

(21) Appl. No.: **29/314,009**

(22) Filed: **Feb. 25, 2009**

(51) **LOC (9) Cl.** ..... **28-03**

(52) **U.S. Cl.** ..... **D24/220**

(58) **Field of Classification Search** ..... D24/216,  
D24/220; D10/81, 46; 73/863.24, 865.8,  
73/864.23, 864.31, 864, 426

See application file for complete search history.

(56) **References Cited**

U.S. PATENT DOCUMENTS

2,472,419 A \* 6/1949 Green ..... 435/261  
4,662,231 A \* 5/1987 Schaarschmidt et al. .... 73/863

(57) **CLAIM**

The ornamental design for 6-vessel dissolution machine, as shown and described.

**DESCRIPTION**

FIG. 1 is a perspective view of the 6-vessel dissolution machine

FIG. 2 is a front view of the 6-vessel dissolution machine

FIG. 3 is a first side view of the 6-vessel dissolution machine

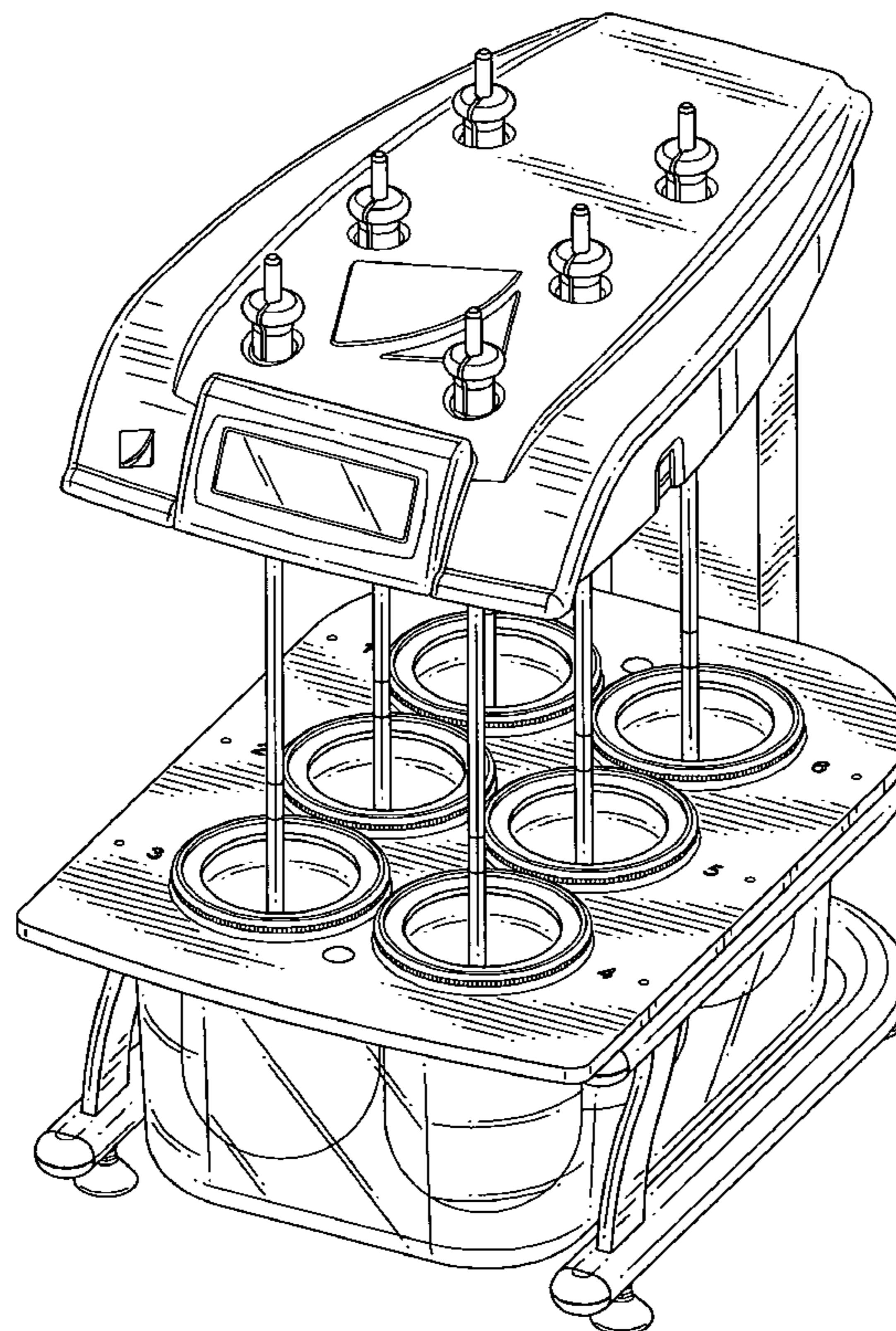
FIG. 4 is a second side view of the 6-vessel dissolution machine

FIG. 5 is a rear view of the 6-vessel dissolution machine

FIG. 6 is a top view of the 6-vessel dissolution machine; and,

FIG. 7 is a bottom view of the 6-vessel dissolution machine.

**1 Claim, 7 Drawing Sheets**



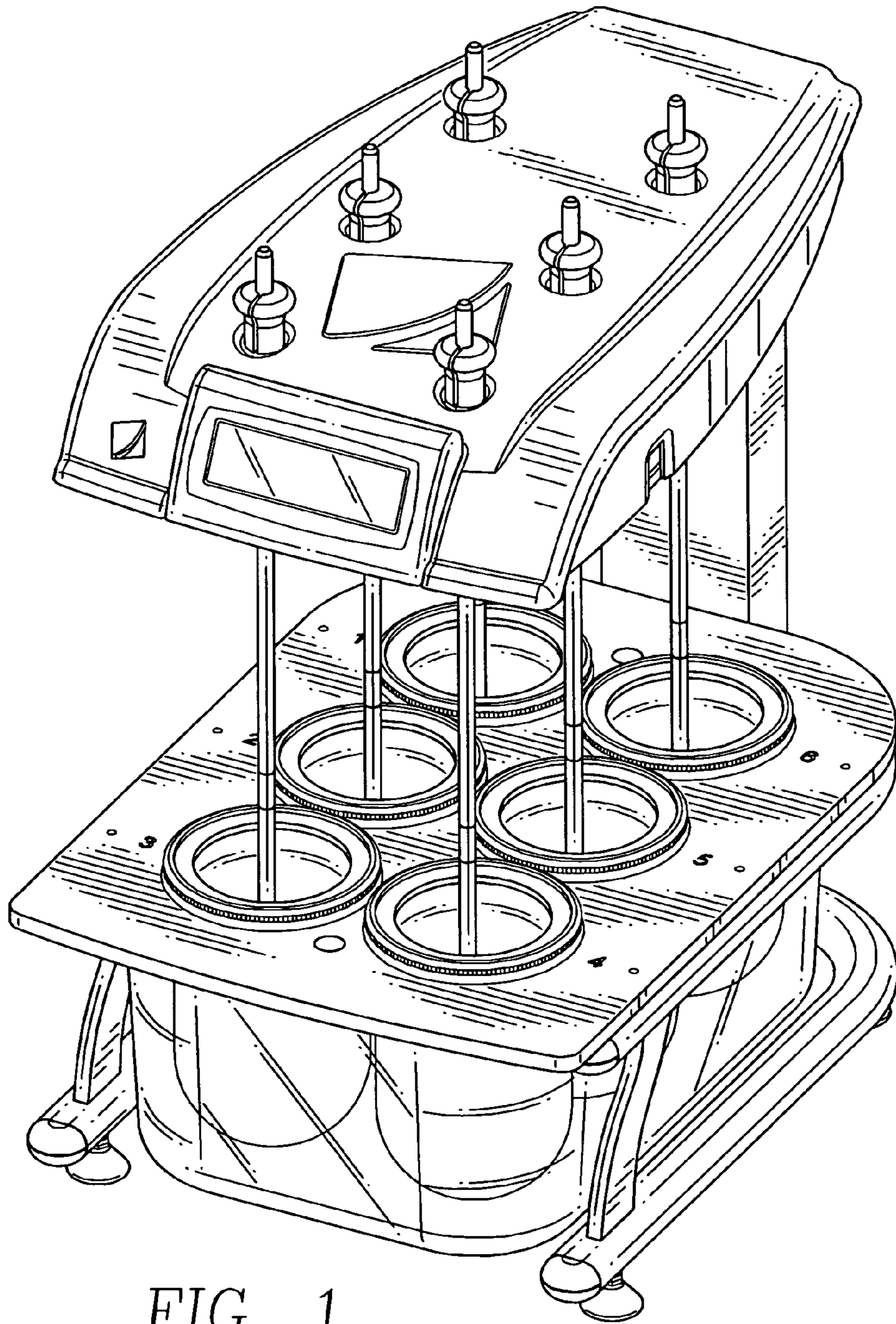


FIG. 1

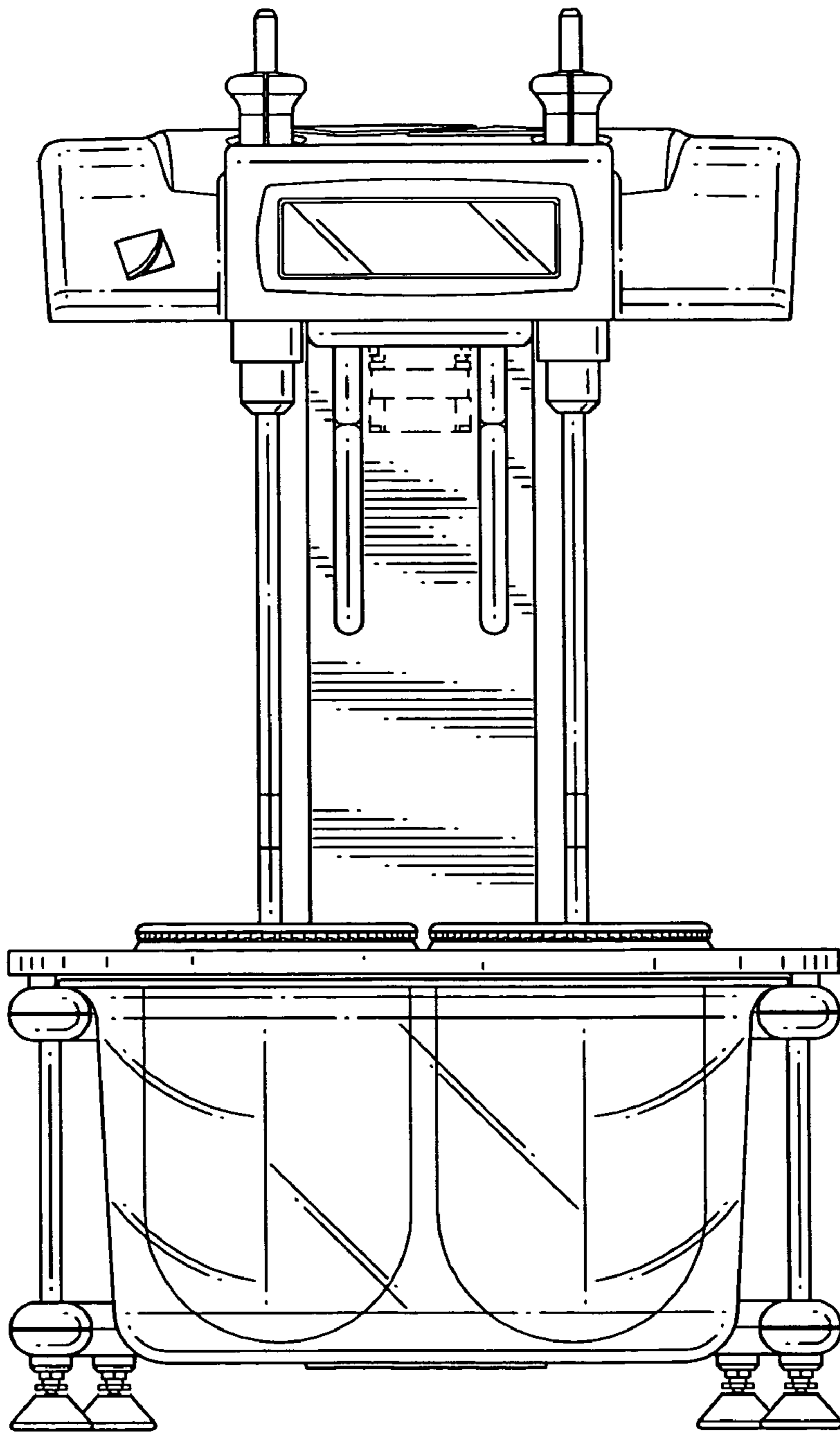


FIG. 2

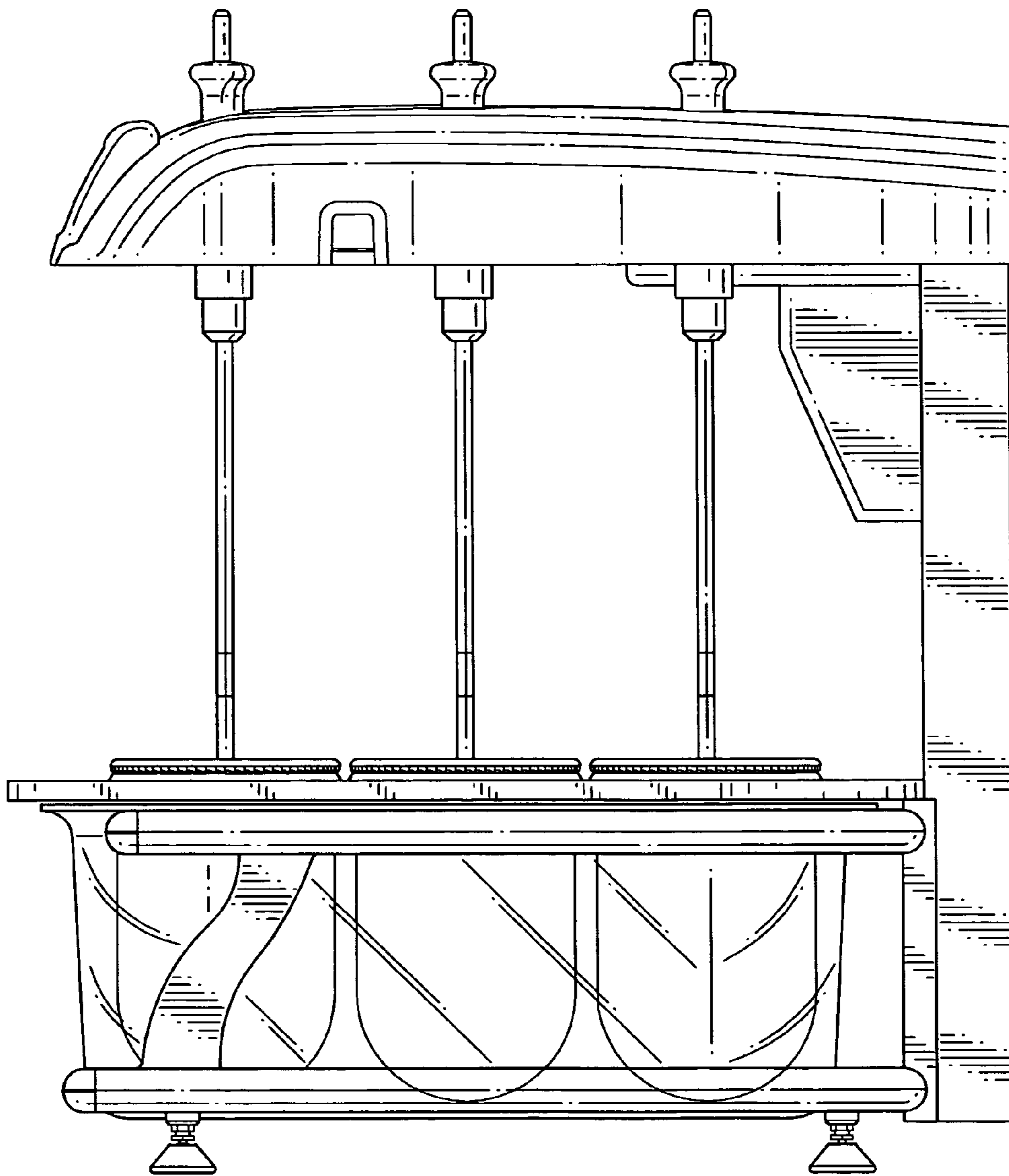


FIG. 3

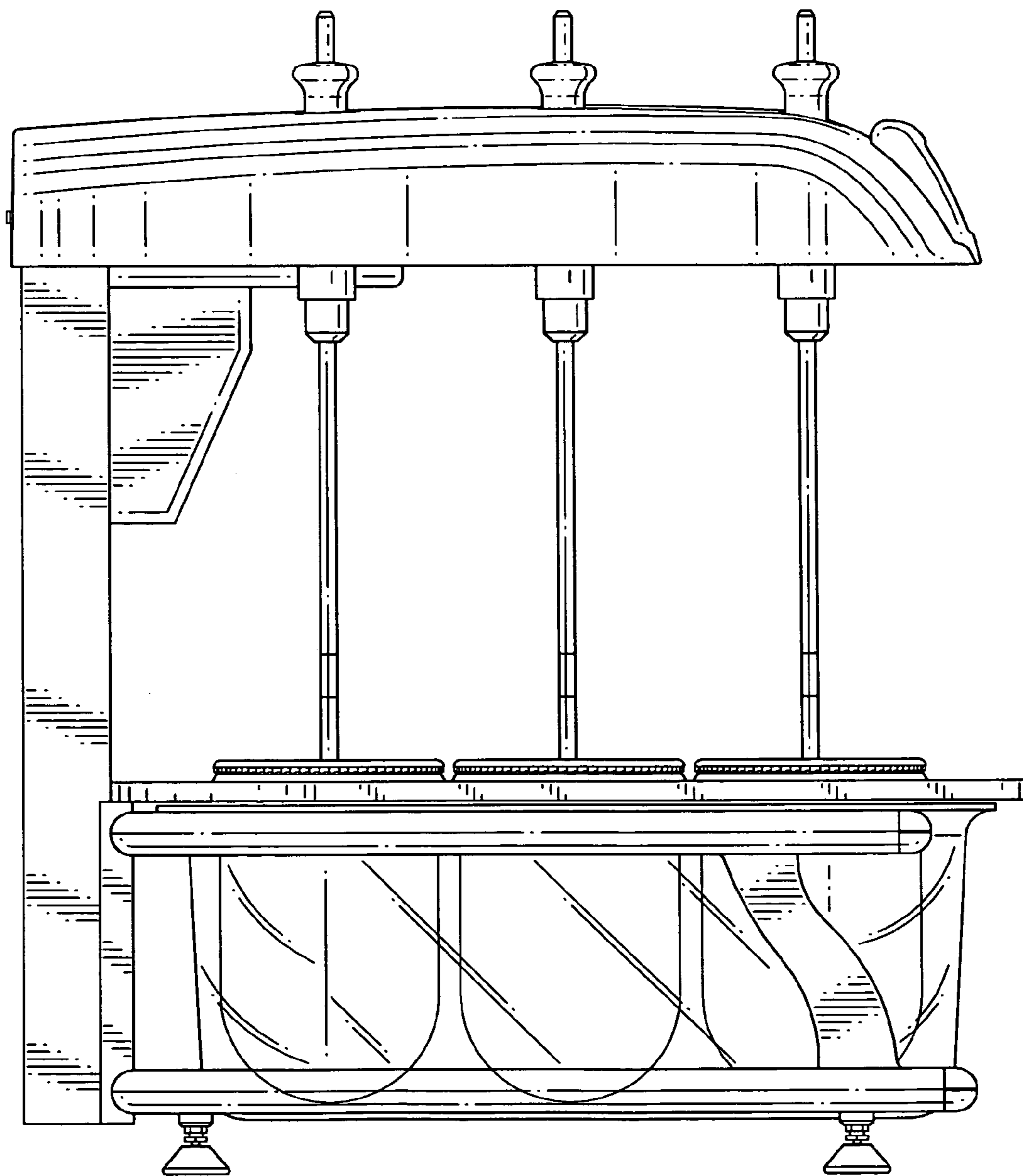


FIG. 4

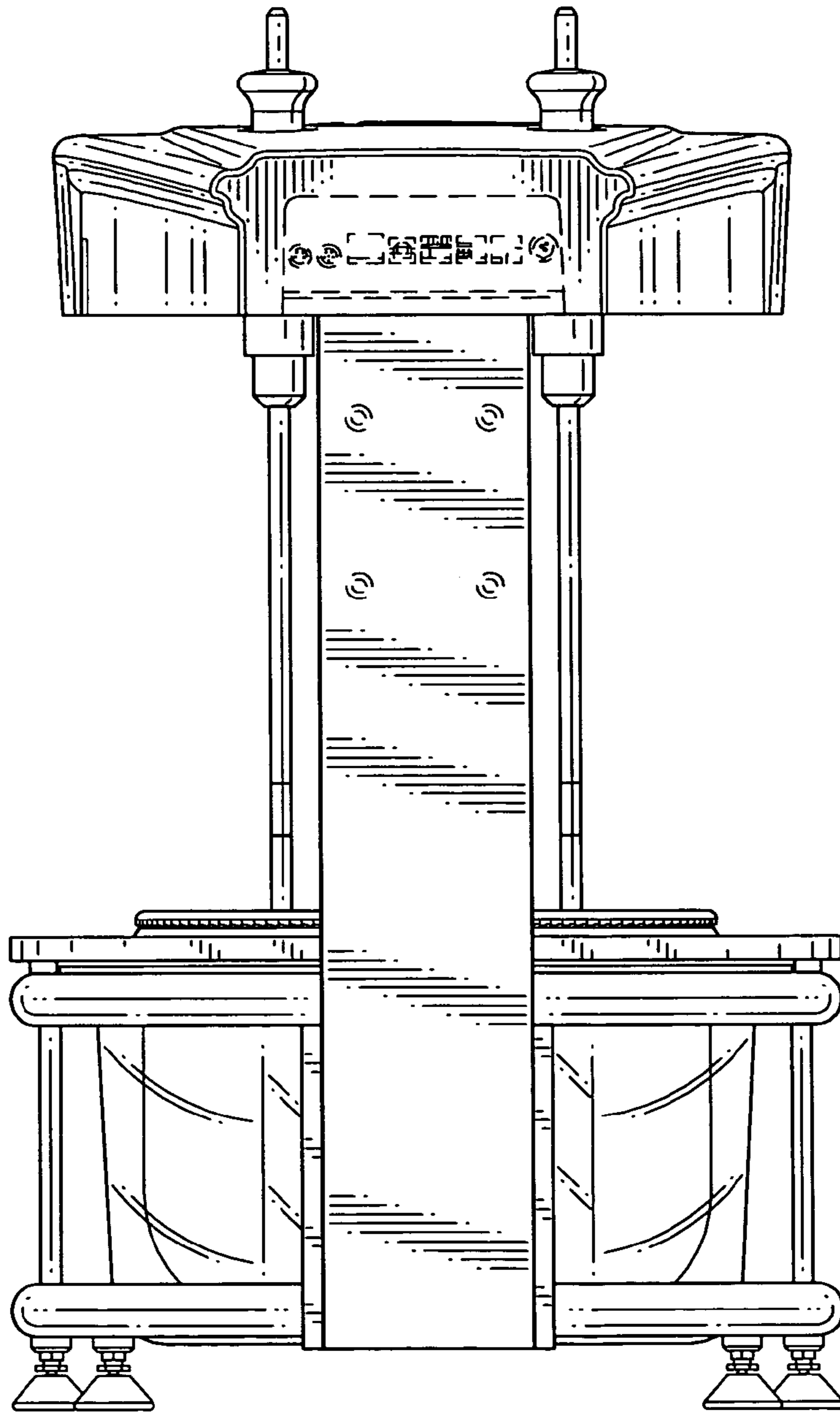


FIG. 5

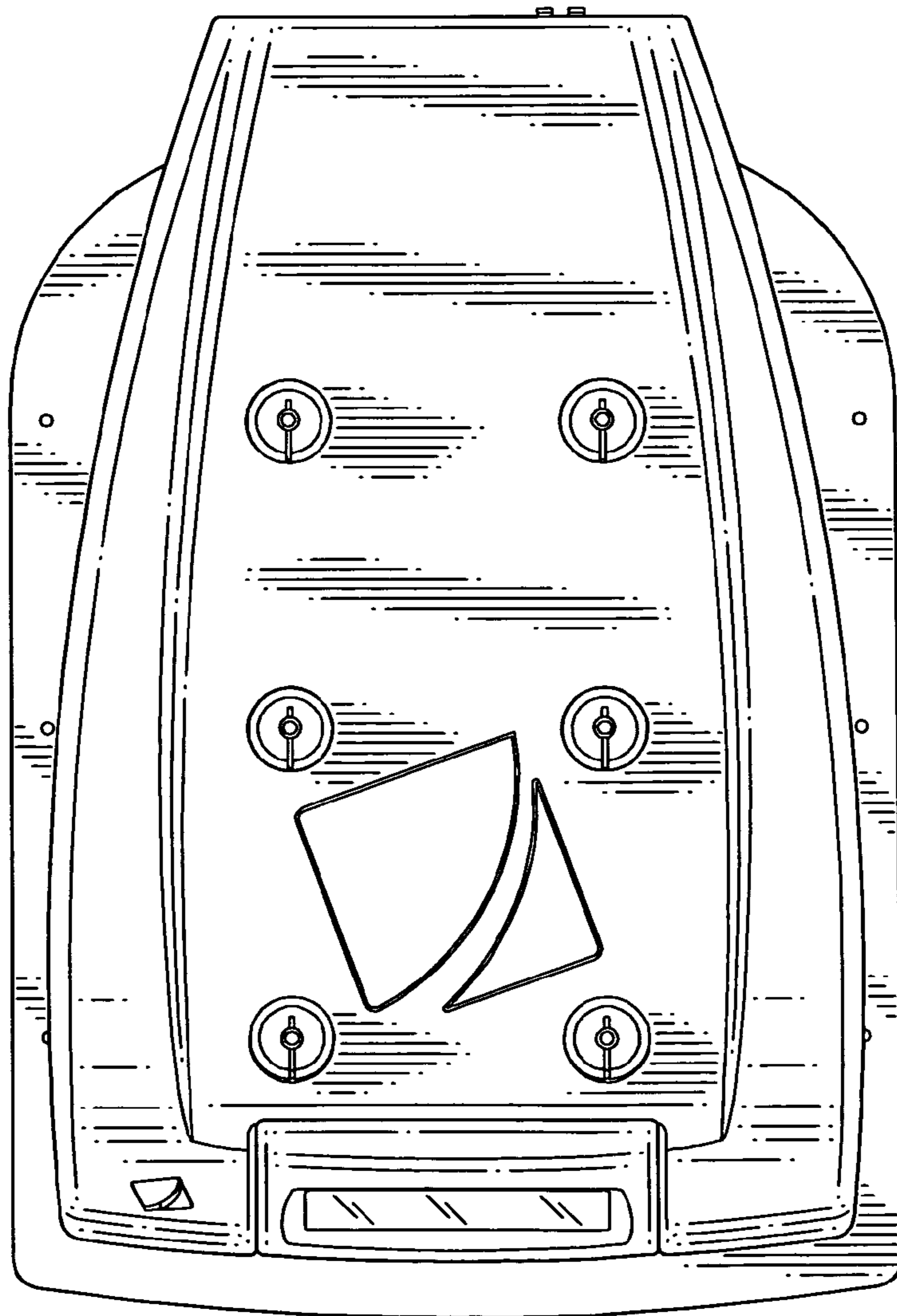


FIG. 6

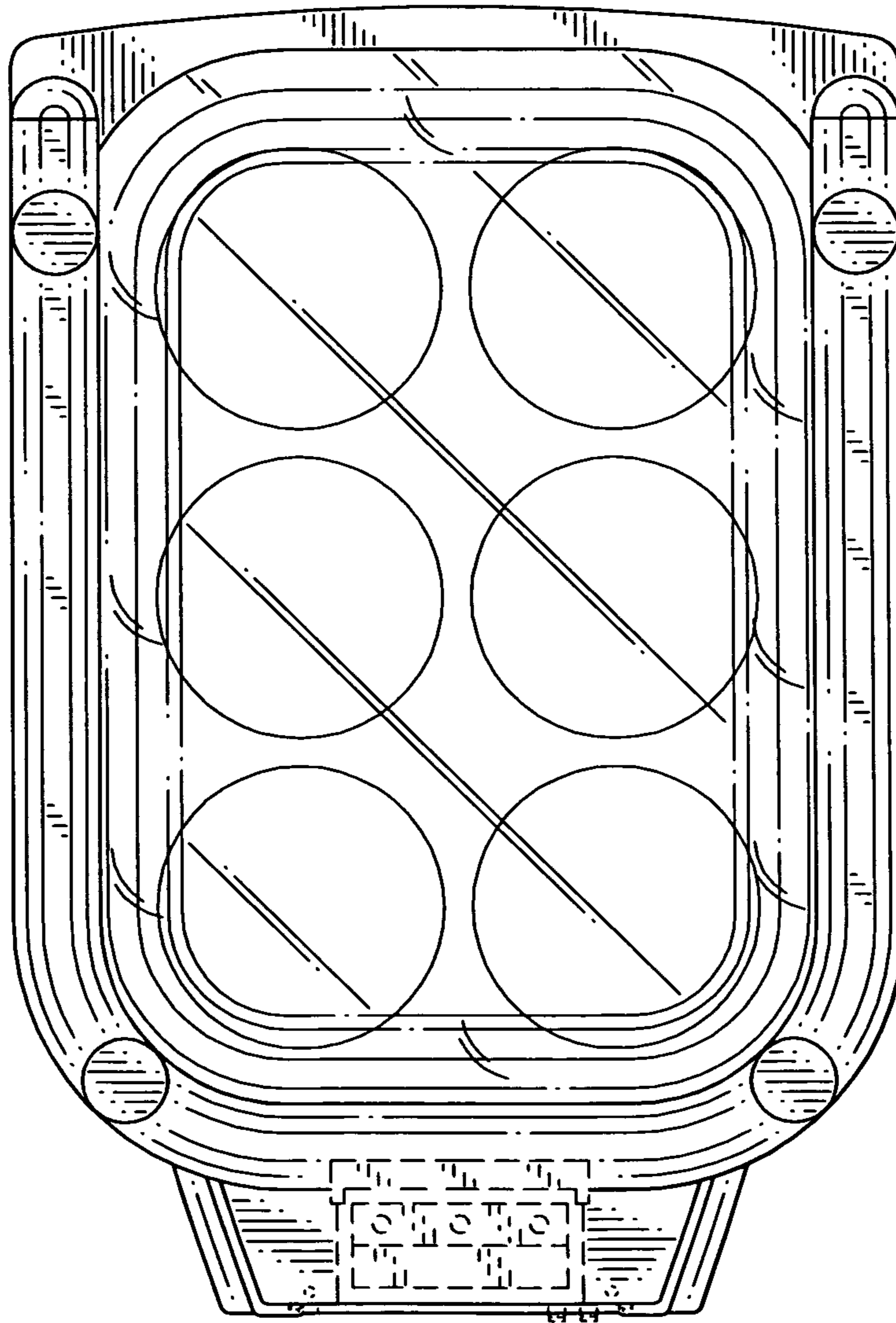


FIG. 7