



US00D618815S

(12) **United States Design Patent**  
**Dang**

(10) **Patent No.:** **US D618,815 S**

(45) **Date of Patent:** **\*\* Jun. 29, 2010**

(54) **SPA TUB**

(76) Inventor: **Cang Dang**, 10 Tobey Road, Bloomfield  
(CN) 06002

(\*\*) Term: **14 Years**

(21) Appl. No.: **29/350,815**

(22) Filed: **Nov. 24, 2009**

(51) **LOC (9) Cl.** ..... **24-04**

(52) **U.S. Cl.** ..... **D24/204**

(58) **Field of Classification Search** ..... D24/200–205,  
D24/212–213; D28/56, 61; D6/336, 495;  
601/6, 15, 16, 64, 157–158, 30–32; 607/44;  
4/622, 547.1

See application file for complete search history.

(56) **References Cited**

**U.S. PATENT DOCUMENTS**

D346,043 S *	4/1994	Galati et al.	.....	D28/61
D450,390 S *	11/2001	Tran	.....	D24/213
D457,018 S *	5/2002	Park	.....	D6/495
6,503,212 B2 *	1/2003	Park	.....	601/158
D549,999 S *	9/2007	Fugate et al.	.....	D6/500
D569,986 S *	5/2008	Ton	.....	D24/204

D571,961 S *	6/2008	Nguyen	.....	D28/56
D588,707 S *	3/2009	Mai et al.	.....	D24/213
D592,312 S *	5/2009	Cheng	.....	D24/204

\* cited by examiner

*Primary Examiner*—Cathron C Brooks

*Assistant Examiner*—Melanie Levy

(74) *Attorney, Agent, or Firm*—Richards Patent Law P.C.

(57) **CLAIM**

The ornamental design for a spa tub, as shown and described.

**DESCRIPTION**

FIG. 1 is an elevated top view of a spa tub showing my new design;

FIG. 2 is an elevated right side view thereof;

FIG. 3 is an elevated left side view;

FIG. 4 is an elevated front view thereof; and,

FIG. 5 is an elevated rear view thereof.

Those portions of the figures that are presented in broken lines merely illustrate the environment of the design and are not part of the claimed design.

**1 Claim, 2 Drawing Sheets**

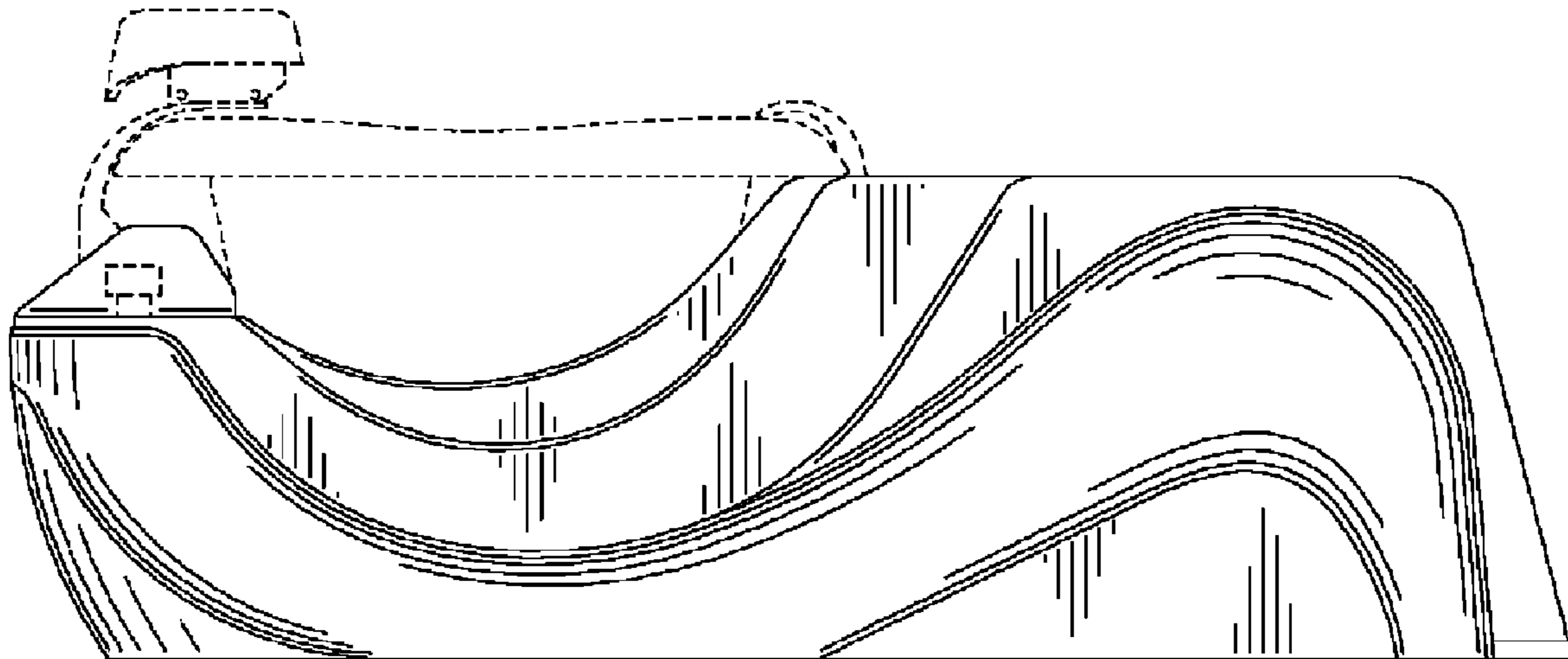


FIG. 1

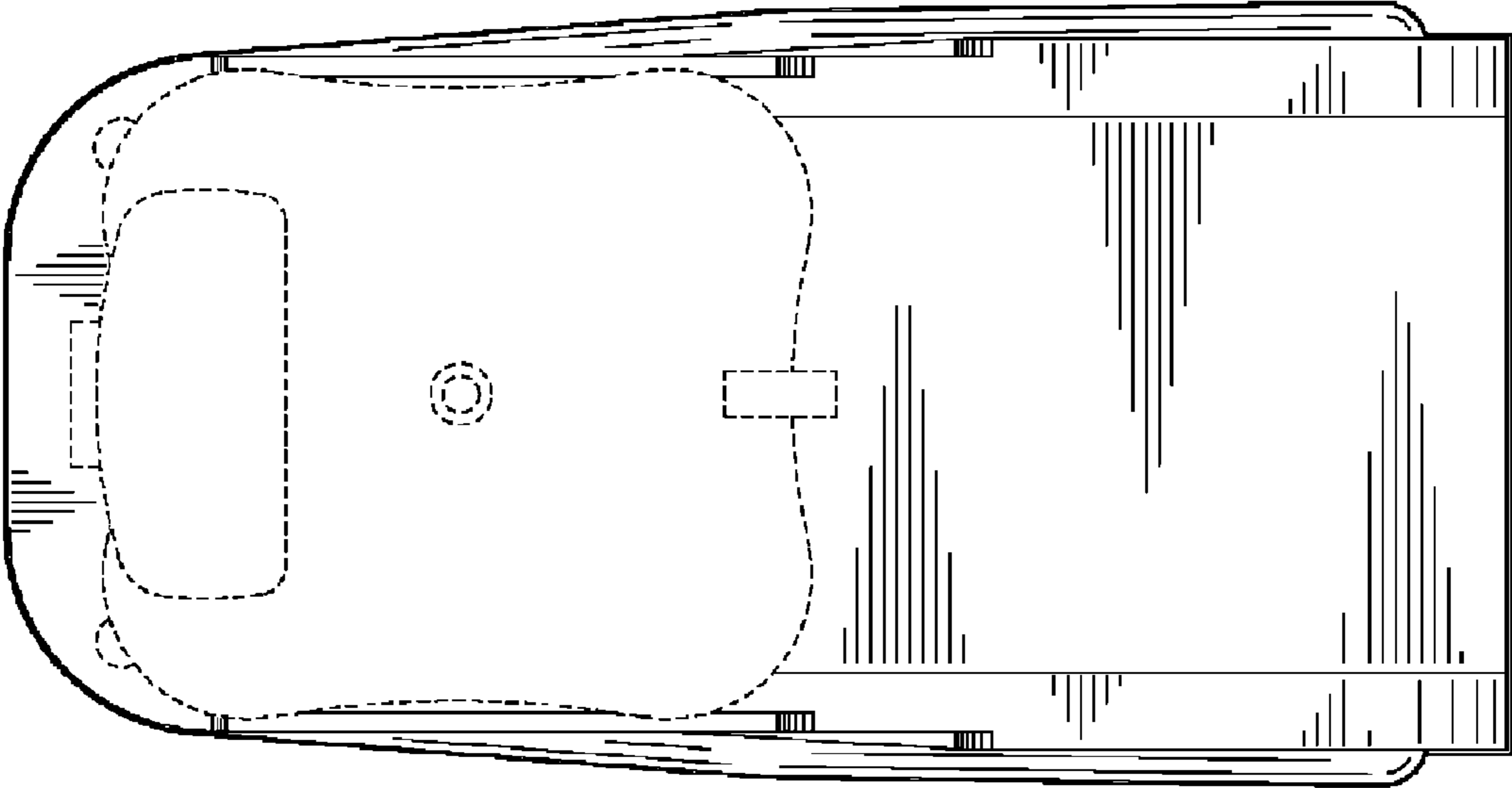


FIG. 2

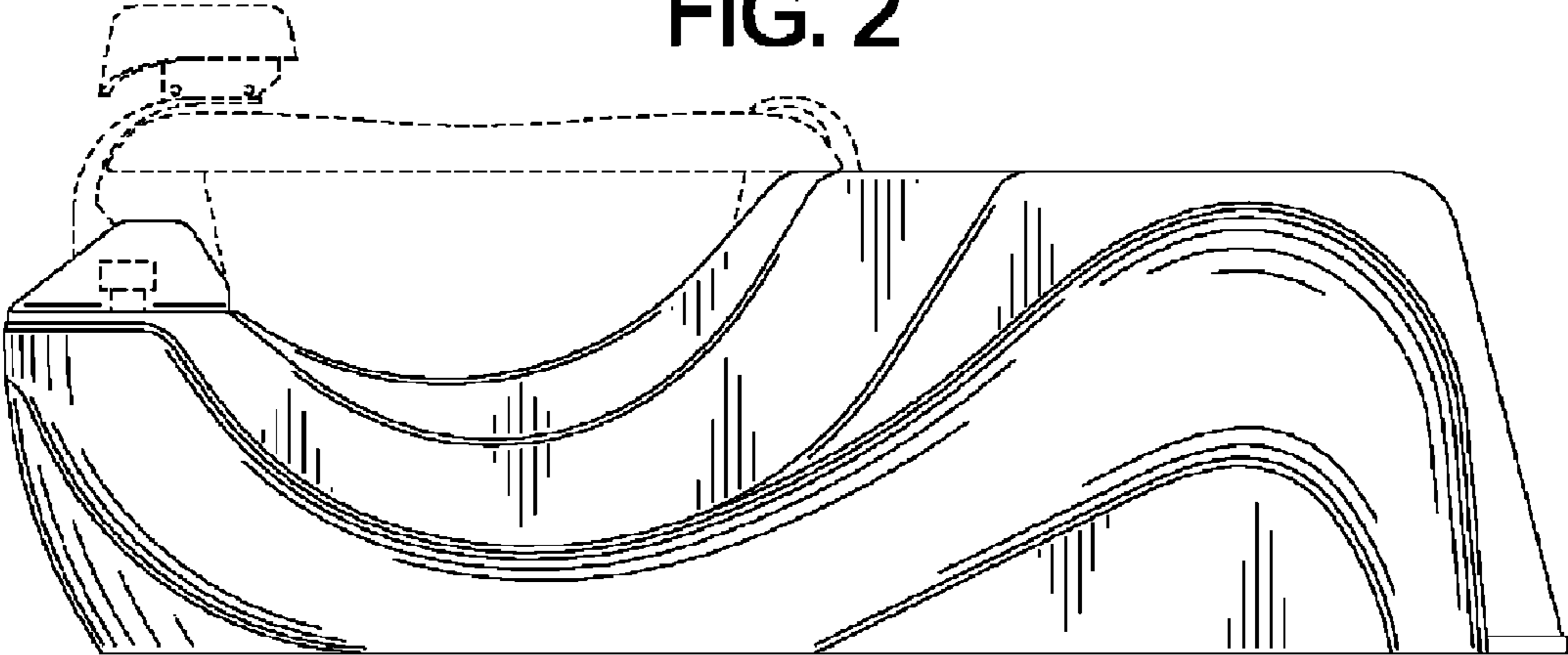


FIG. 3

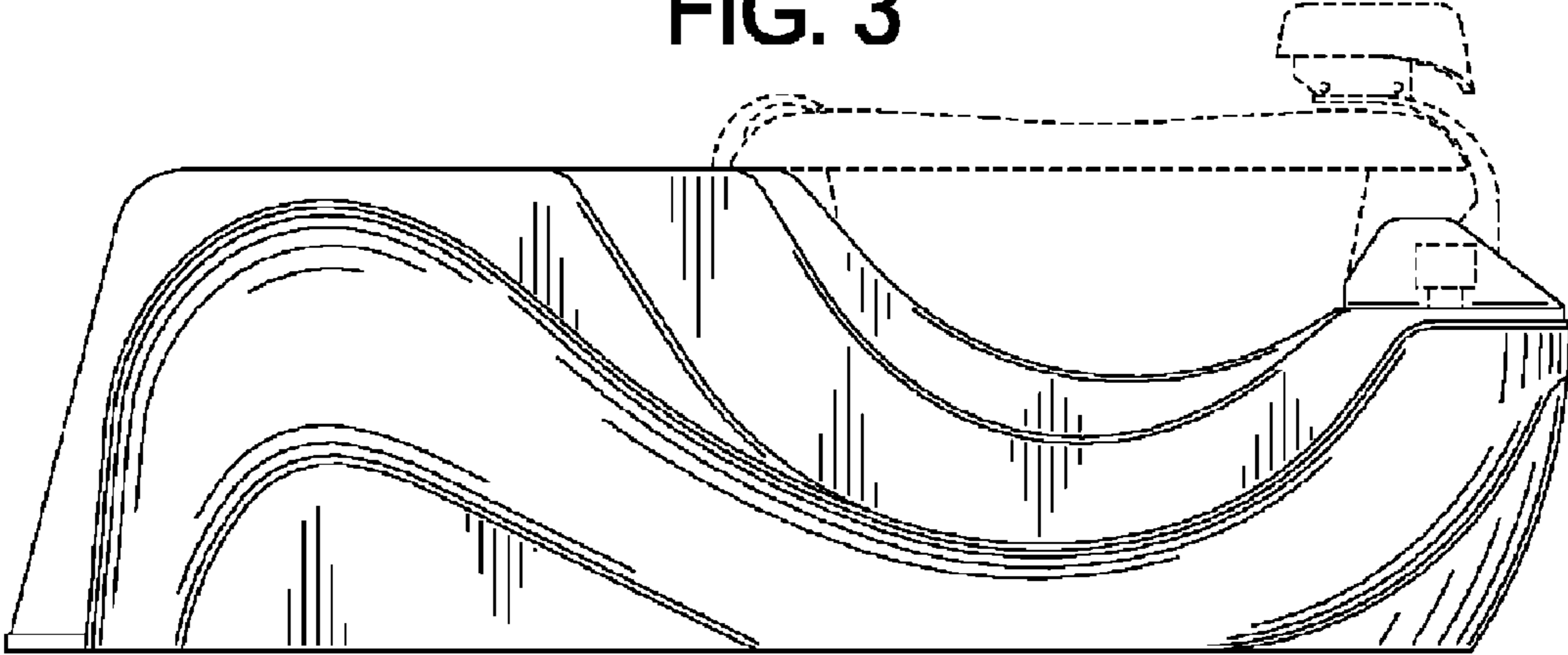


FIG. 4

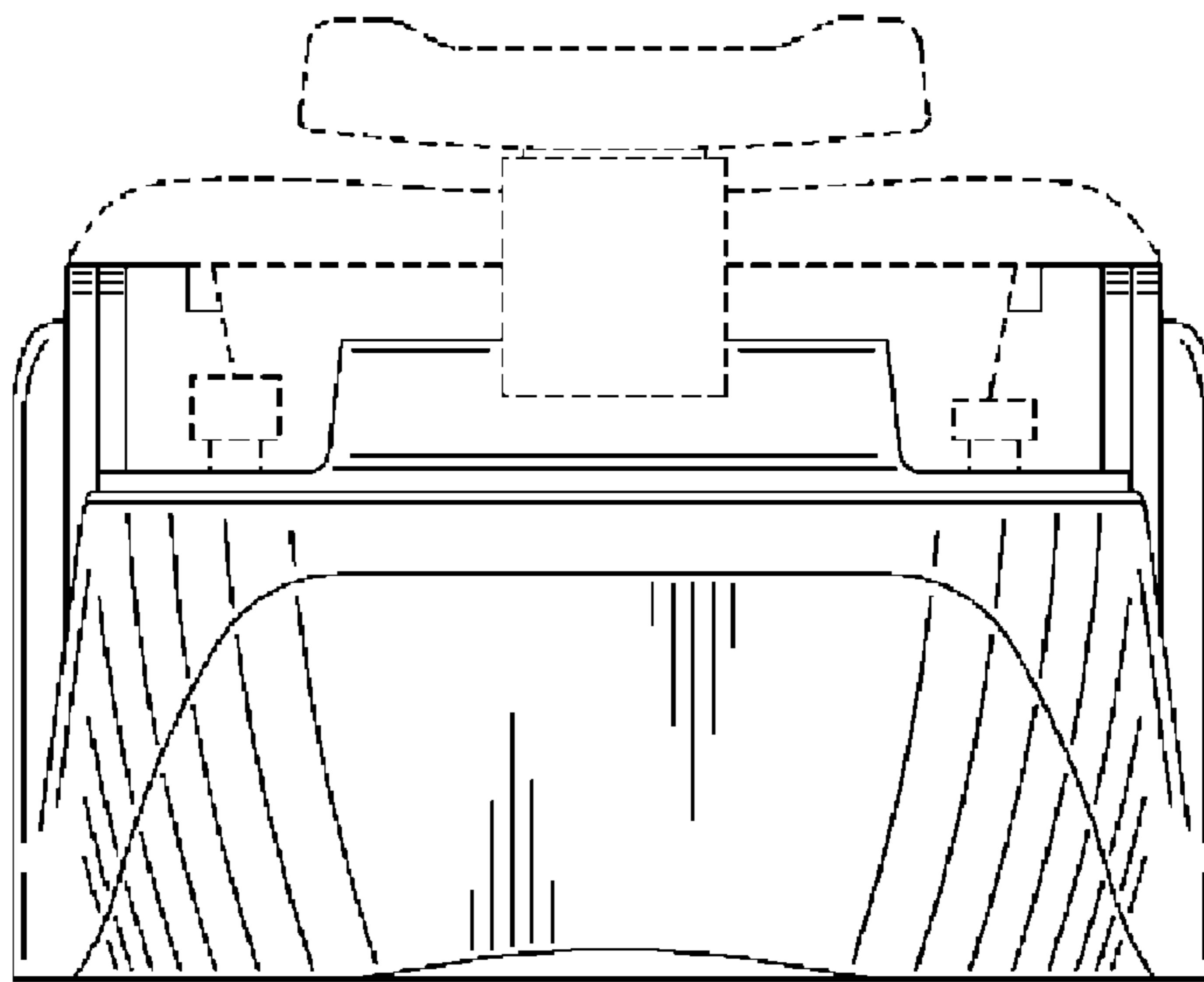


FIG. 5

