



US00D618809S

(12) **United States Design Patent**
Pessinen

(10) **Patent No.:** **US D618,809 S**
(45) **Date of Patent:** **** Jun. 29, 2010**

(54) **BIRTHING FRAME**

(75) Inventor: **Eija Pessinen**, Helsinki (FI)

(73) Assignee: **RELAXBIRTH Oy**, Helsinki (FI)

(**) Term: **14 Years**

(21) Appl. No.: **29/314,186**

(22) Filed: **Mar. 11, 2009**

(30) **Foreign Application Priority Data**

Sep. 11, 2008 (EM) 001001176-0001

(51) **LOC (9) Cl.** **24-01**

(52) **U.S. Cl.** **D24/188**

(58) **Field of Classification Search** D24/183,
D24/184, 188; D6/500; D12/131, 133; 297/219.1,
297/220, 256.1–256.16, 284.1–284.9, 391,
297/464, DIG. 4, DIG. 6

See application file for complete search history.

(56) **References Cited**

U.S. PATENT DOCUMENTS

4,703,975 A * 11/1987 Roberts et al. 297/423.19
D322,855 S * 12/1991 Tabuchi D24/183
D353,460 S * 12/1994 Reynolds et al. D24/183
D357,538 S * 4/1995 Sockwell et al. D24/183
D378,613 S * 3/1997 Sundstrom D24/183
D390,664 S * 2/1998 Chun-Chung D24/183

D549,345 S * 8/2007 Mascull D24/183
2003/0173813 A1 * 9/2003 Dornauer et al. 297/423.31

* cited by examiner

Primary Examiner—Holly H Baynham

Assistant Examiner—Michelle E Wilson

(74) *Attorney, Agent, or Firm*—D. Peter Hochberg; Sean F. Mellino; Daniel J. Smola

(57) **CLAIM**

The ornamental design for a birthing frame, as shown and described.

DESCRIPTION

FIG. 1 is a perspective view of the birthing frame according to the invention;

FIG. 2 is a front view of the birthing frame as shown in FIG. 1;

FIG. 3 is a rear view of the birthing frame as shown in FIG. 1;

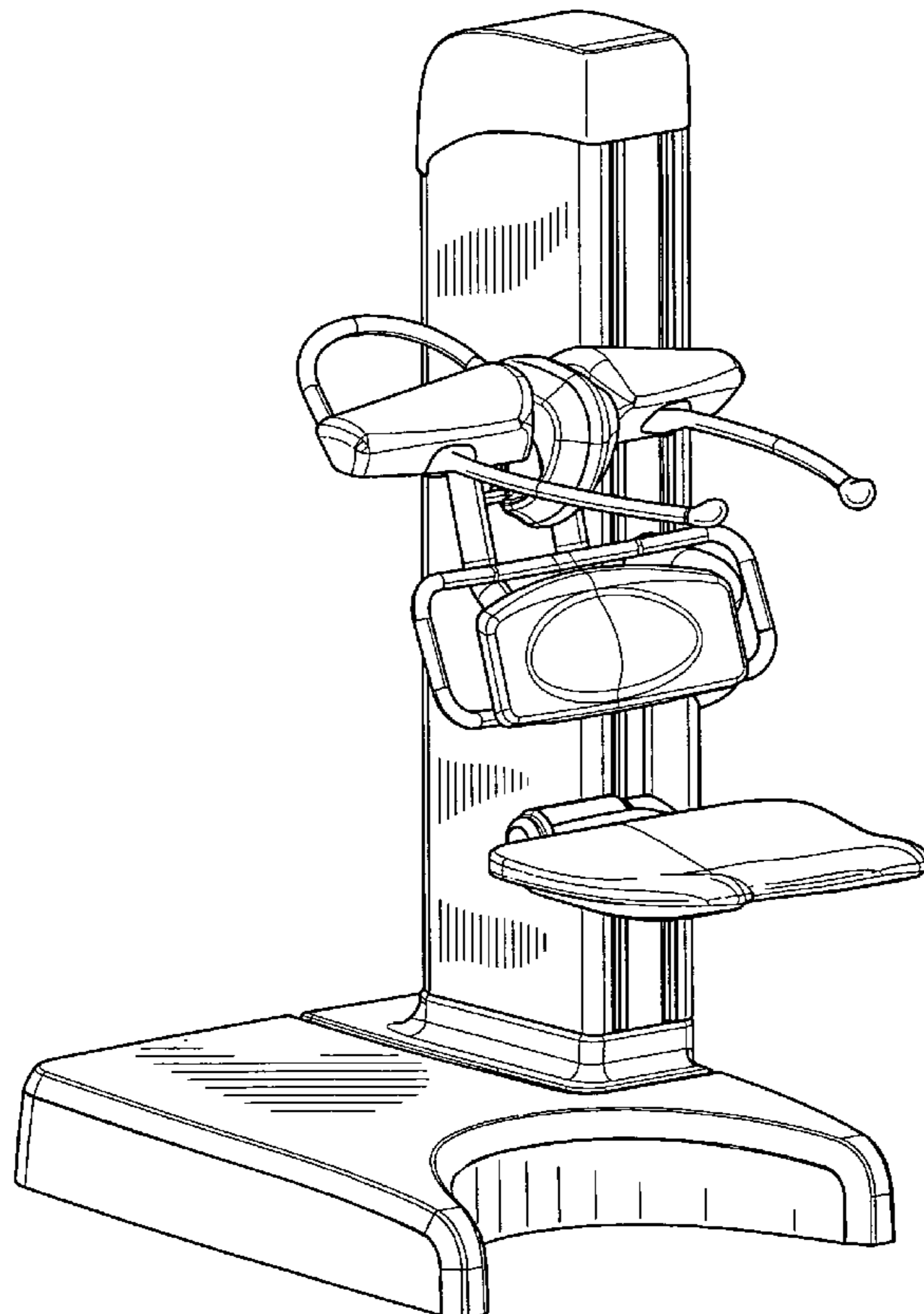
FIG. 4 is a side view of the birthing frame as shown in FIG. 1;

FIG. 5 is a side view of the birthing frame as shown in FIG. 1, shown from the opposite side as that shown in FIG. 4; and

FIG. 6 is a top view of the birthing frame as shown in FIG. 1; and,

FIG. 7 is a bottom view of the birthing frame as shown in FIG. 1.

1 Claim, 7 Drawing Sheets



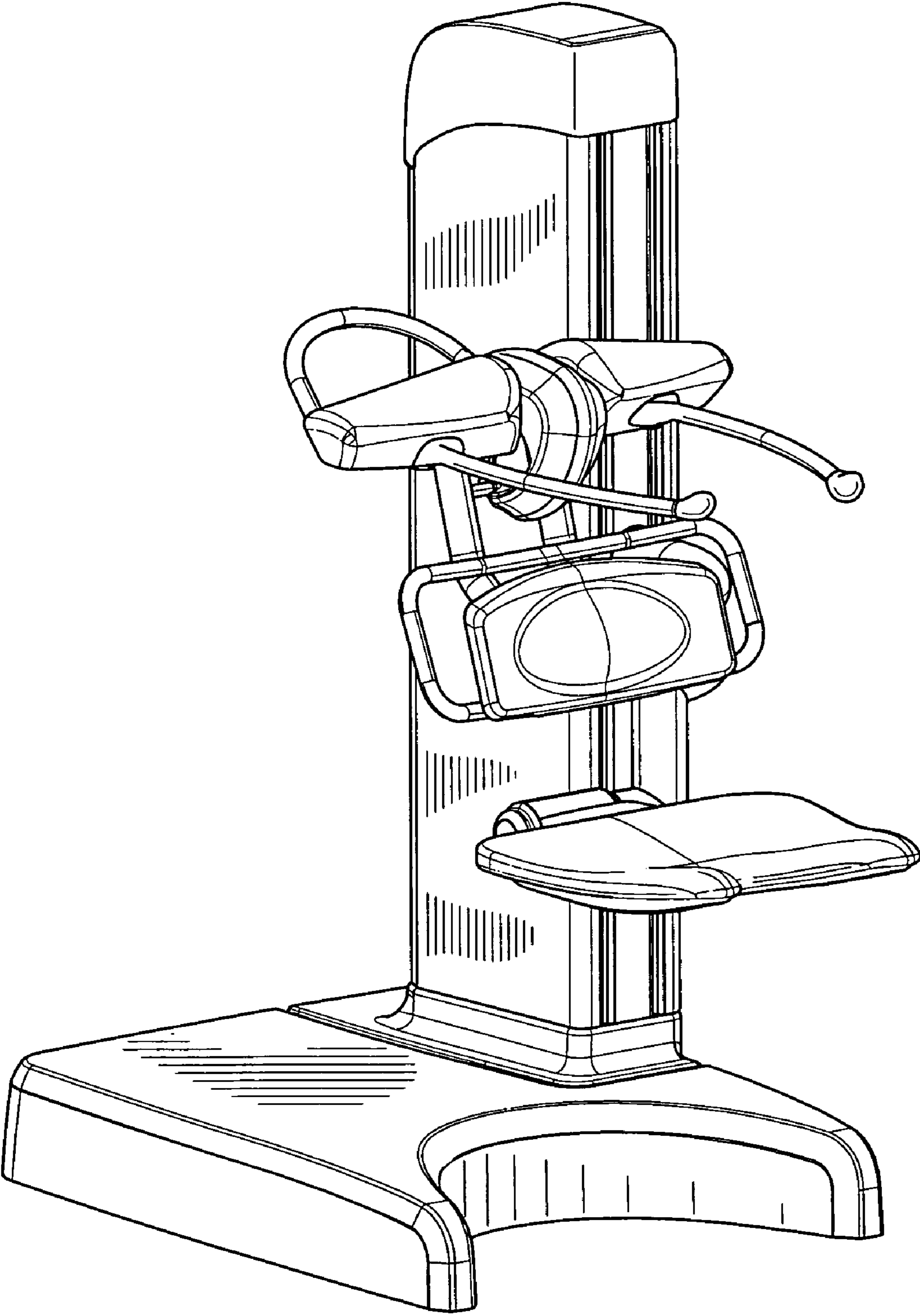


FIG-1

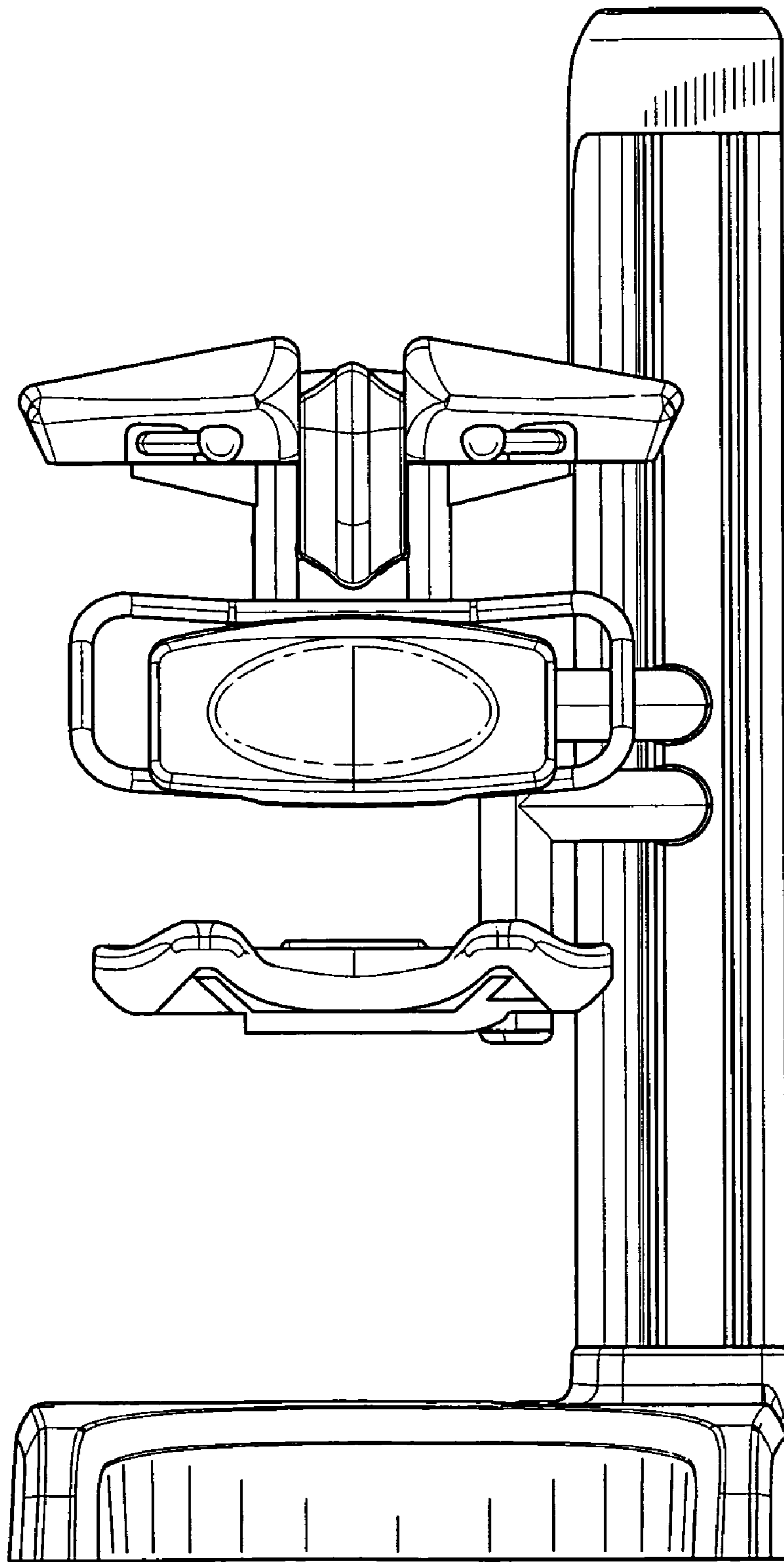


FIG-2

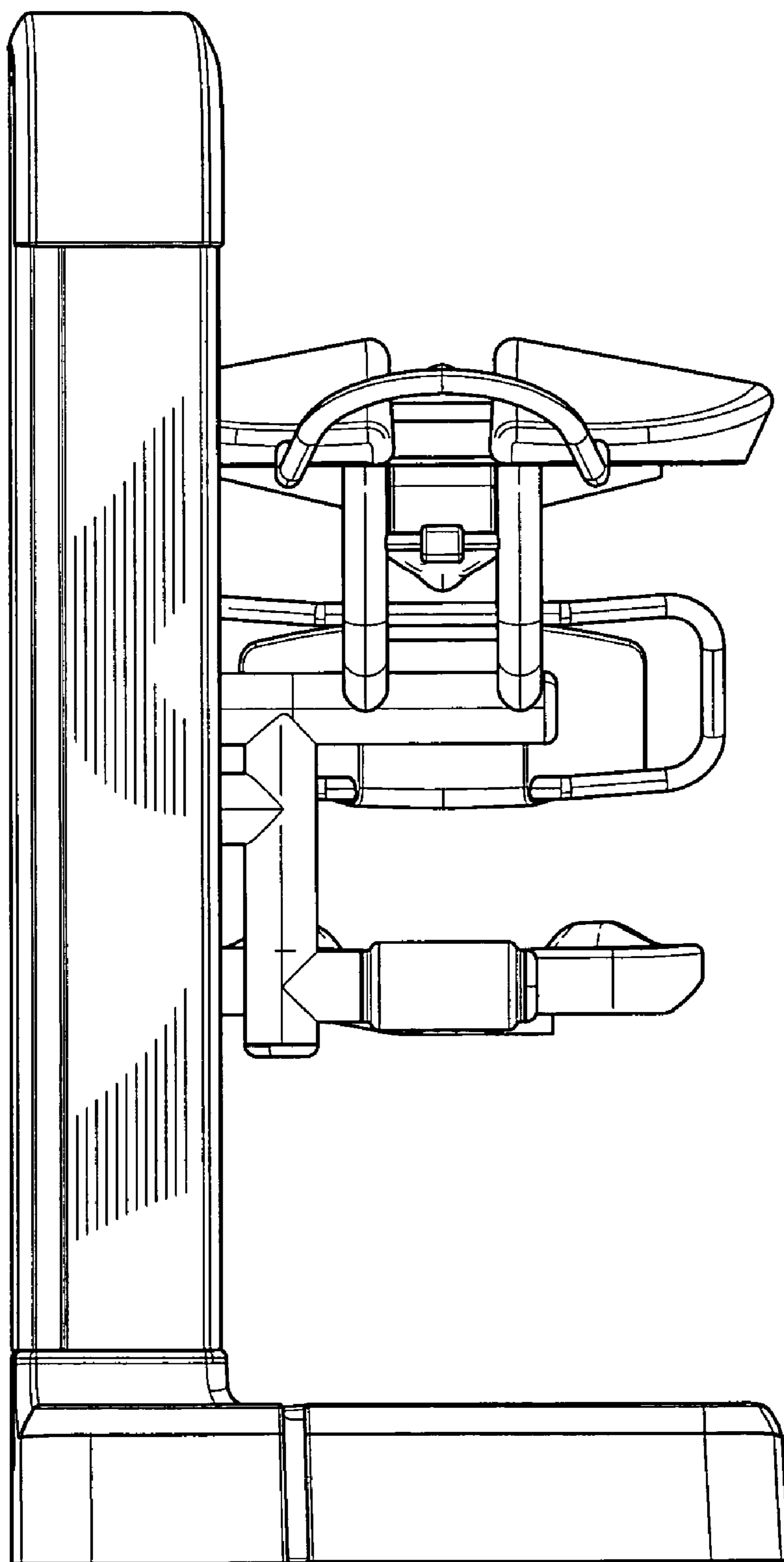


FIG-3

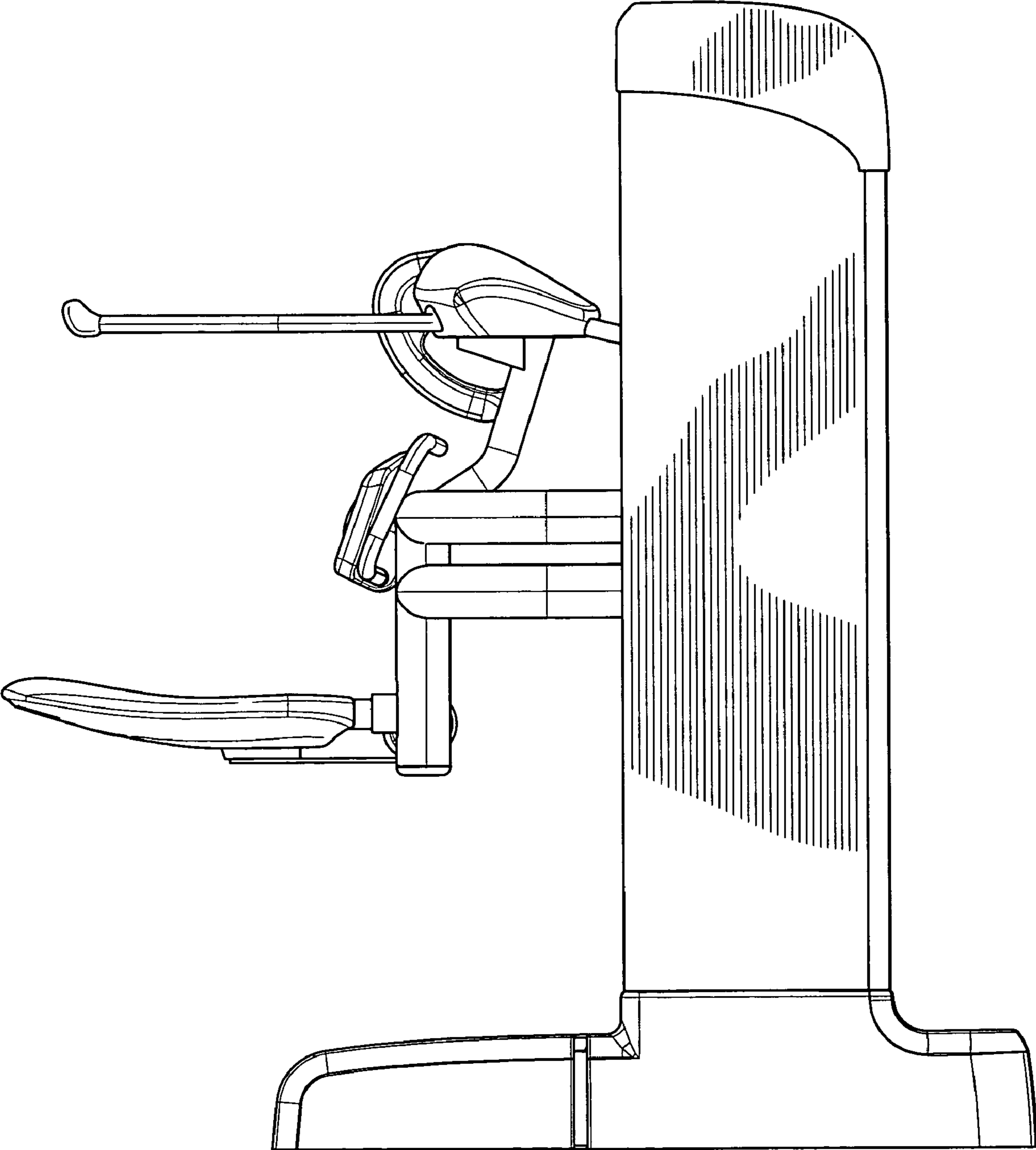


FIG-4

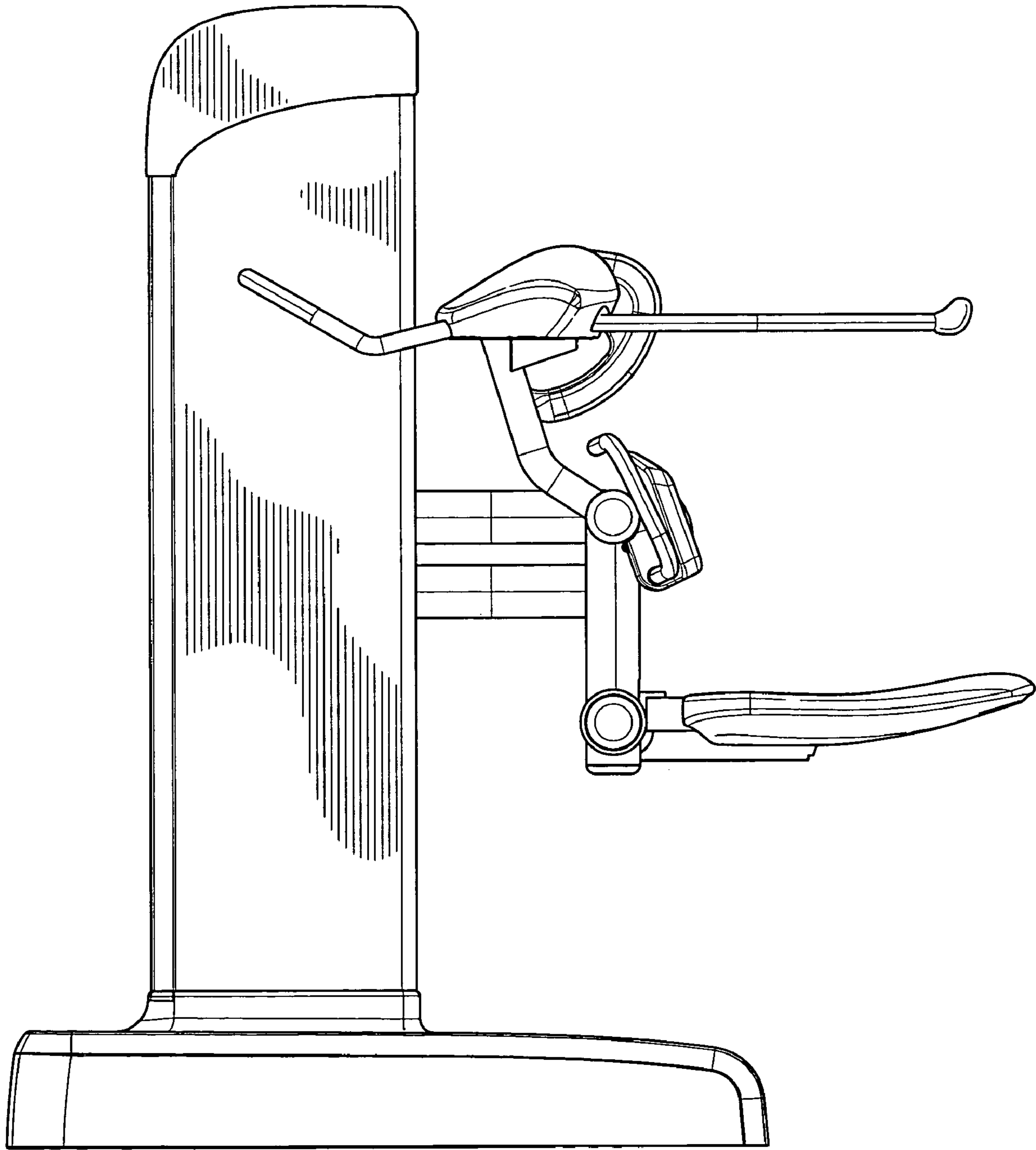


FIG-5

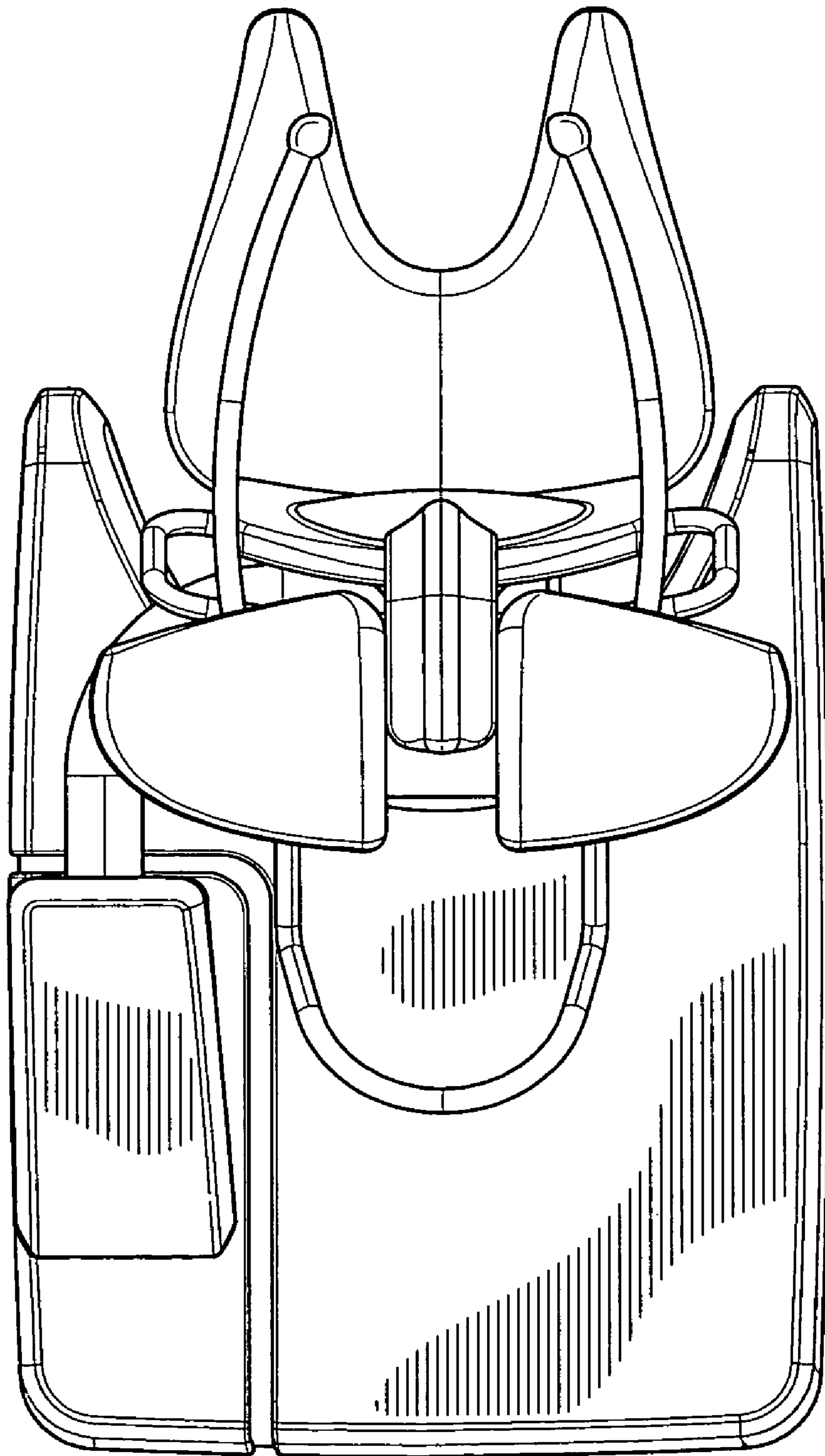


FIG-6

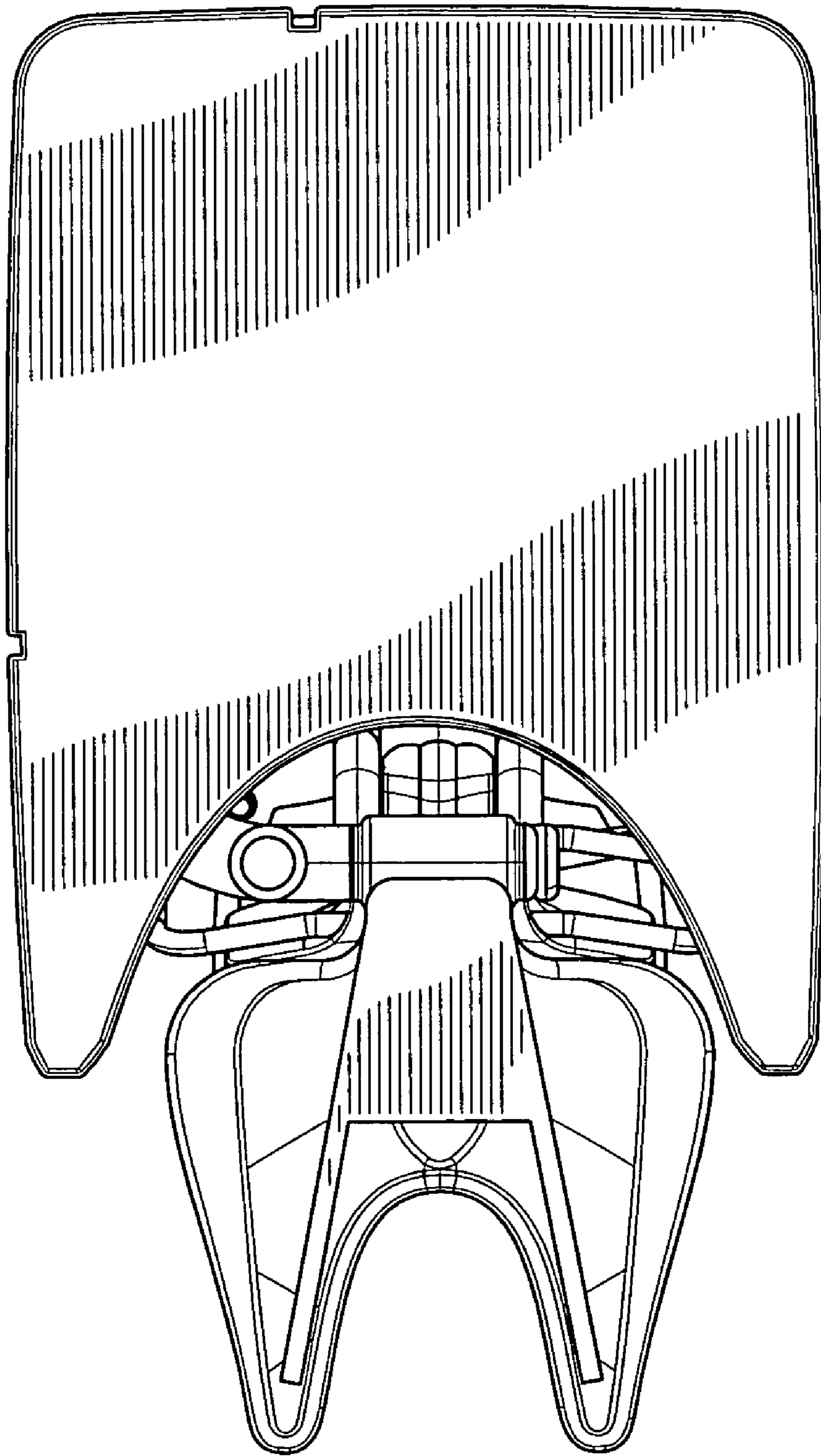


FIG-7