



US00D618808S

(12) **United States Design Patent**  
**Fisher et al.**

(10) **Patent No.:** **US D618,808 S**  
(45) **Date of Patent:** **\*\* Jun. 29, 2010**

(54) **PLUG-IN READY ELECTRONIC READER AND PARTS THEREOF**

(75) Inventors: **Stanley Fisher**, Durham, NC (US);  
**William Rathbun**, Fuquay-Varina, NC (US)

(73) Assignee: **RadarFind Corporation**, Research Triangle Park, NC (US)

(\*\*) Term: **14 Years**

(21) Appl. No.: **29/299,194**

(22) Filed: **Dec. 20, 2007**

(51) **LOC (9) Cl.** ..... **23-01**

(52) **U.S. Cl.** ..... **D24/186; D13/162**

(58) **Field of Classification Search** ..... D24/185-186;  
D10/104, 106, 109, 40; D13/158, 162, 164,  
D13/165, 168, 170, 177; 340/573.4, 555-556,  
340/600; 250/353, 349, 342, 370  
See application file for complete search history.

(56) **References Cited**

**U.S. PATENT DOCUMENTS**

D309,890 S *	8/1990	Cheng	.....	D13/168
D310,814 S *	9/1990	Rosenbaum et al.	.....	D13/158
D399,495 S *	10/1998	Bachschnid	.....	D13/177
6,049,281 A *	4/2000	Osterweil	.....	600/473
D435,523 S *	12/2000	Ciornei et al.	.....	D13/164
D445,406 S *	7/2001	Ciornei et al.	.....	D13/164
D455,406 S *	4/2002	Pinchuk	.....	D13/165

(Continued)

**OTHER PUBLICATIONS**

Three Photographs of a prior RadarFind product (not plug-in ready). For examination purposes, Applicants submit that the prior product was used in public, offered for sale or sold more than one year before the filing of Dec. 20, 2007 (3 sheets).

*Primary Examiner*—T. Chase Nelson  
*Assistant Examiner*—Mark Cavanna

(74) *Attorney, Agent, or Firm*—Myers Bigel Sibley & Sajovec, P.A.

(57) **CLAIM**

The ornamental design for a plug-in ready electronic reader and parts thereof, as shown and described.

**DESCRIPTION**

FIG. 1 is a front perspective view of the first embodiment of a plug-in ready electronic reader and parts thereof showing our new design;

FIG. 2 is a front view thereof;

FIG. 3 is a side view thereof;

FIG. 4 is a rear view thereof;

FIG. 5 is an opposing side view of the side shown in FIG. 3;

FIG. 6 is a top end view thereof;

FIG. 7 is a bottom end view thereof;

FIG. 8 is a front perspective environmental view thereof illustrating the plug-in ready electronic reader and parts thereof in an exemplary clinical use environment;

FIG. 9 is a front perspective view of the second embodiment of a plug-in ready electronic reader and parts thereof showing our design;

FIG. 10 is a front view thereof;

FIG. 11 is a side view thereof;

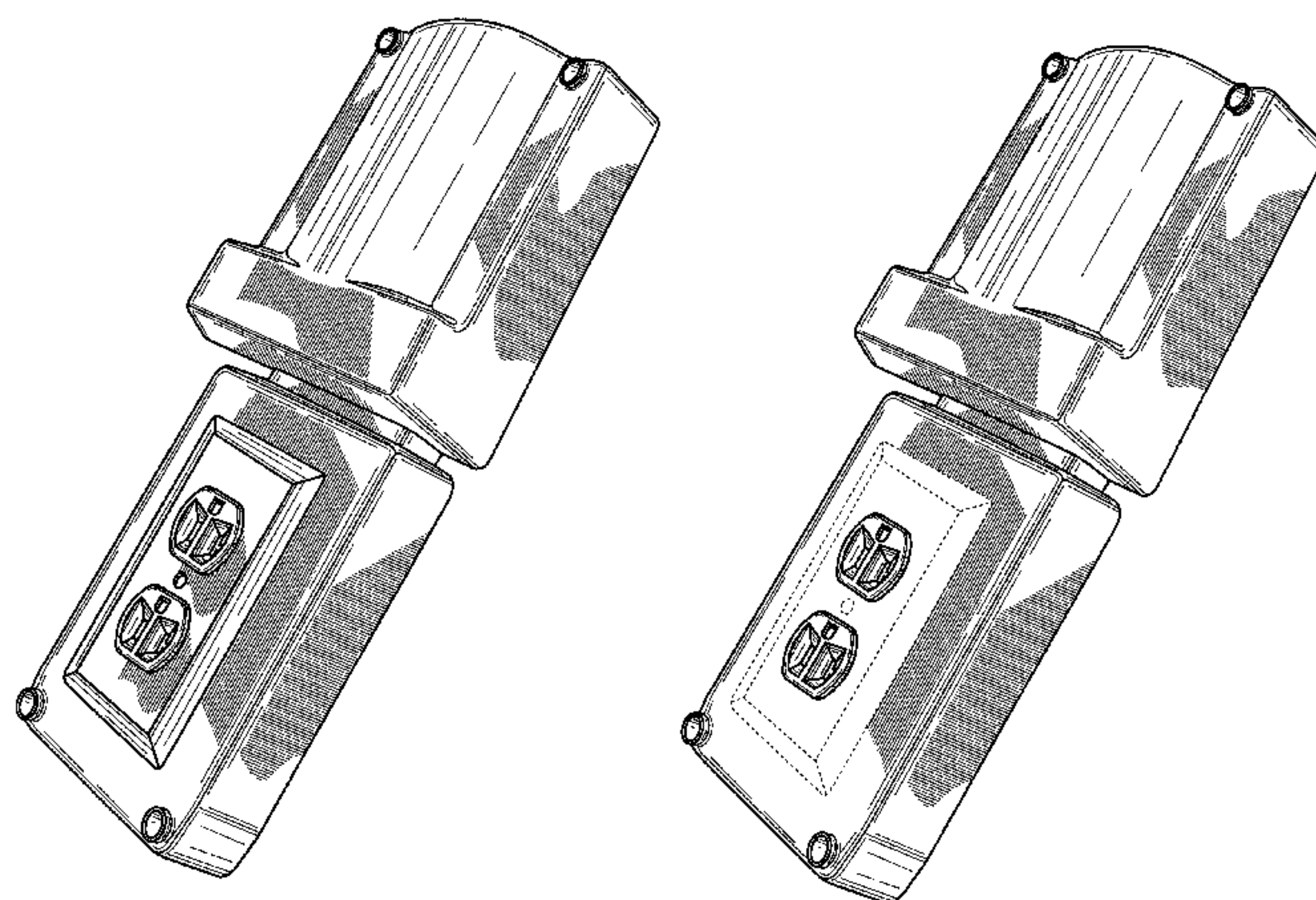
FIG. 12 is an opposing side view;

FIG. 13 is a bottom end view thereof, the top end view is the same as shown in FIG. 6; and,

FIG. 14 is a front perspective environmental view thereof illustrating the plug-in ready electronic reader and parts thereof in an exemplary clinical use environment.

The broken lines shown are included for the purpose of illustrating a portion of the plug-in ready electronic reader and parts thereof that forms no part of the claimed design.

**1 Claim, 9 Drawing Sheets**



# US D618,808 S

Page 2

---

## U.S. PATENT DOCUMENTS

D500,686 S *	1/2005	Stekelenburg .....	D10/40	D595,604 S *	7/2009	Schmalz et al. ....	D10/104
D500,687 S *	1/2005	Morrison et al. ....	D10/40	D596,140 S *	7/2009	Hollner .....	D13/164
D535,204 S *	1/2007	Bender et al. ....	D10/104	D603,346 S *	11/2009	Murray et al. ....	D13/162
D567,950 S *	4/2008	Savage, Jr. ....	D24/186	D610,554 S *	2/2010	Lanfear et al. ....	D13/162
D590,352 S *	4/2009	Jacoby et al. ....	D13/164	D611,005 S *	3/2010	Lanfear et al. ....	D13/162

\* cited by examiner



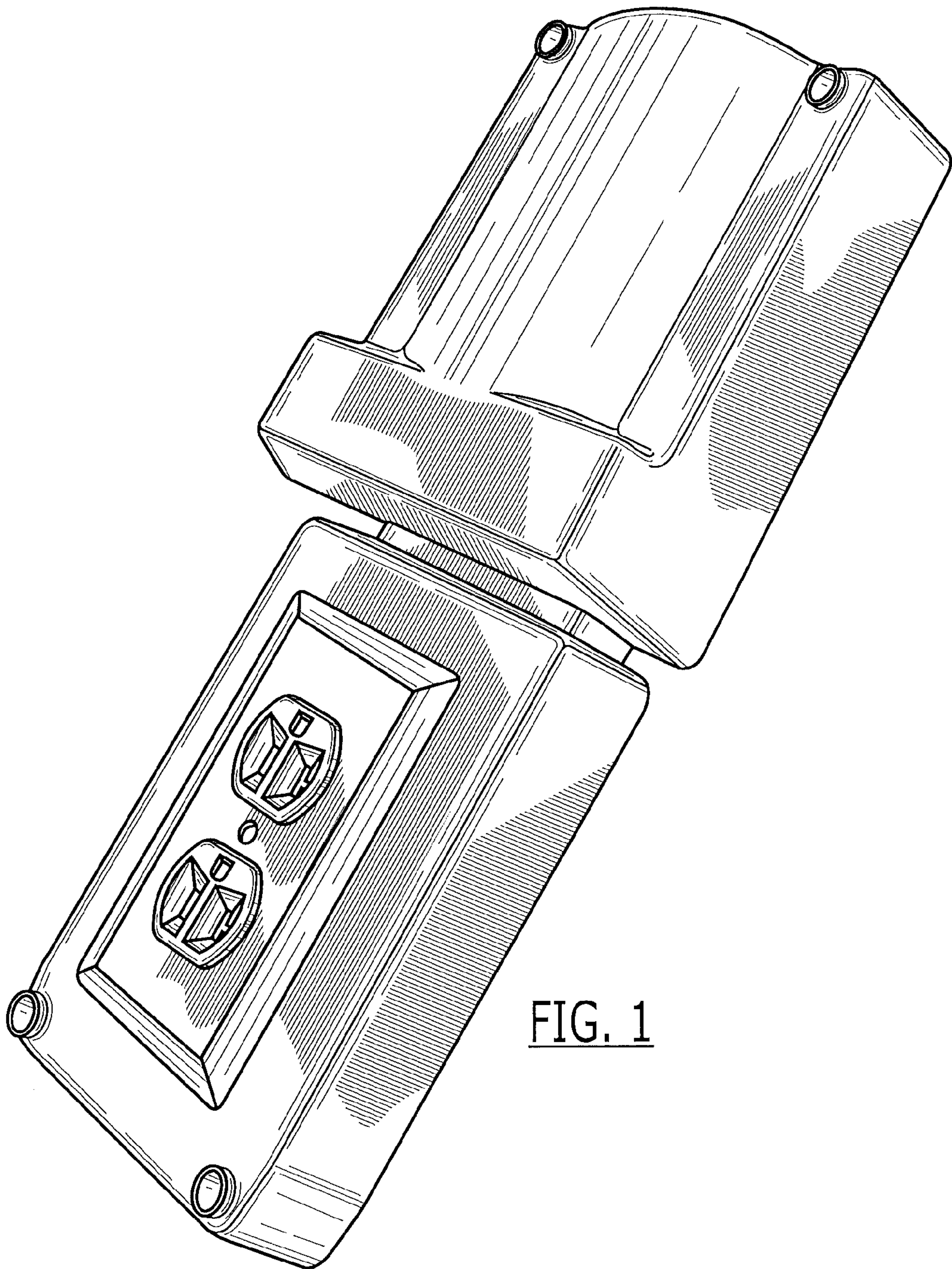


FIG. 1

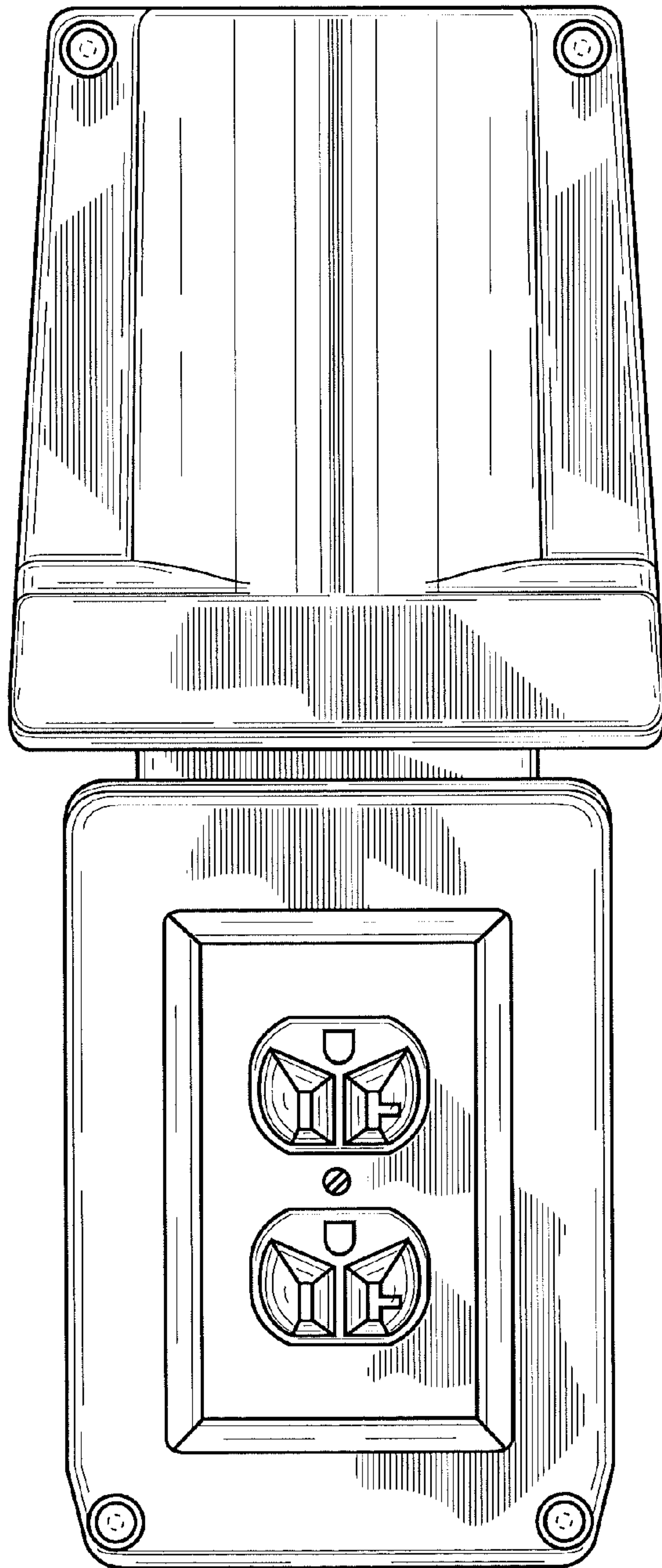


FIG. 2

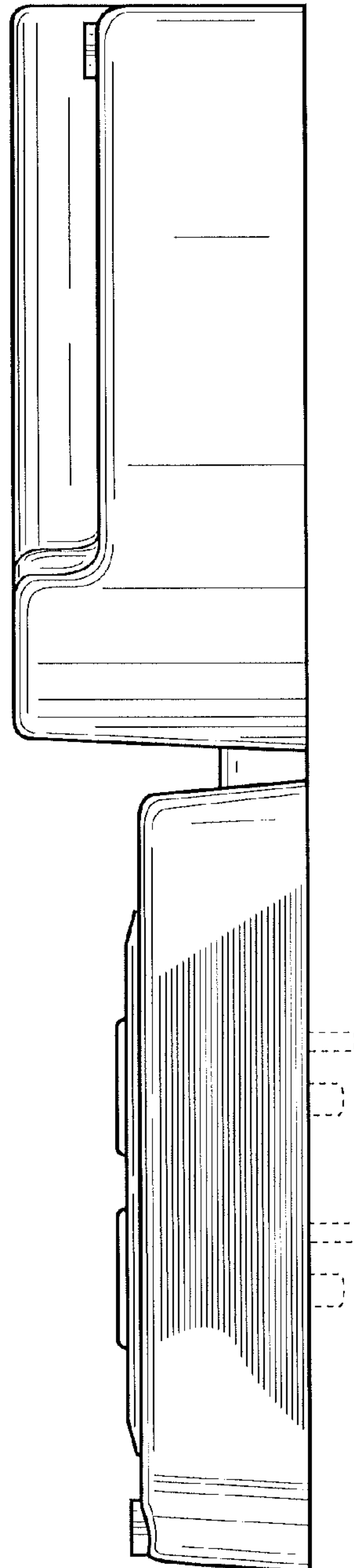


FIG. 3

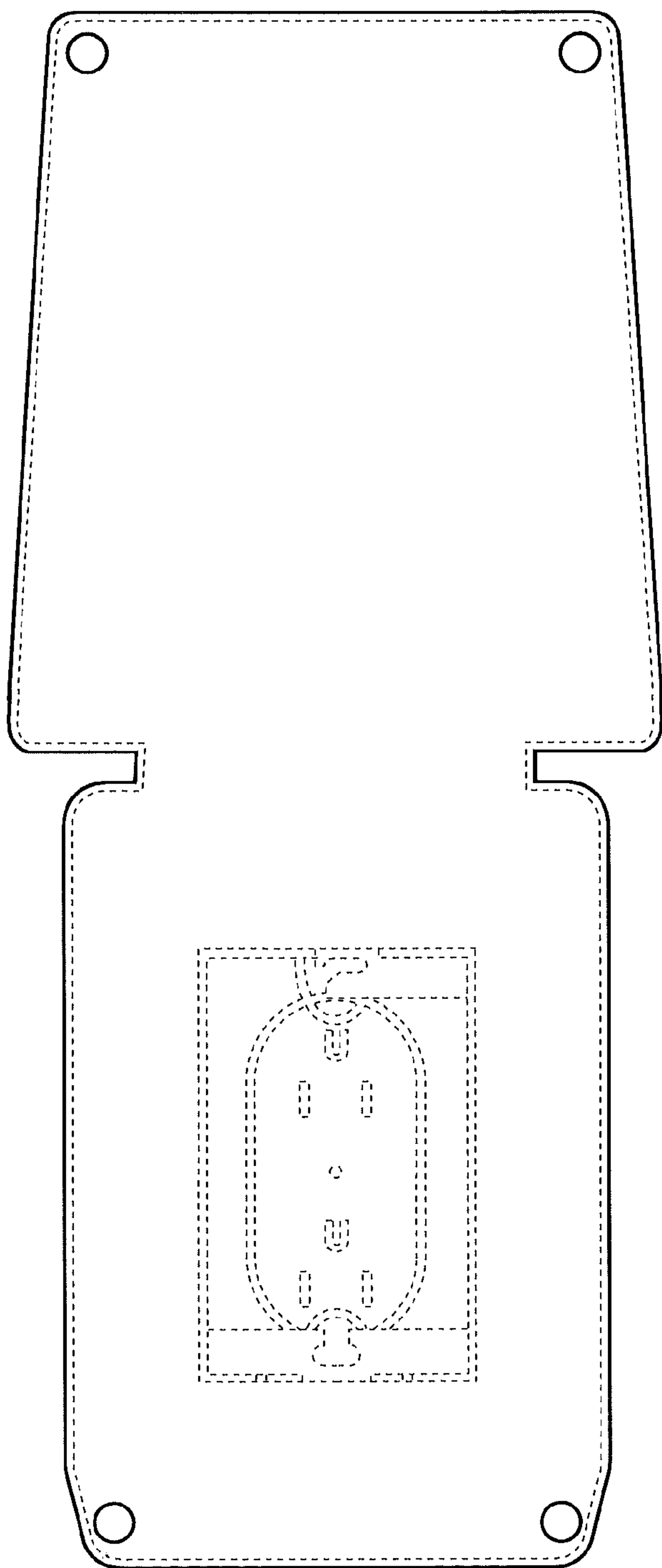


FIG. 4

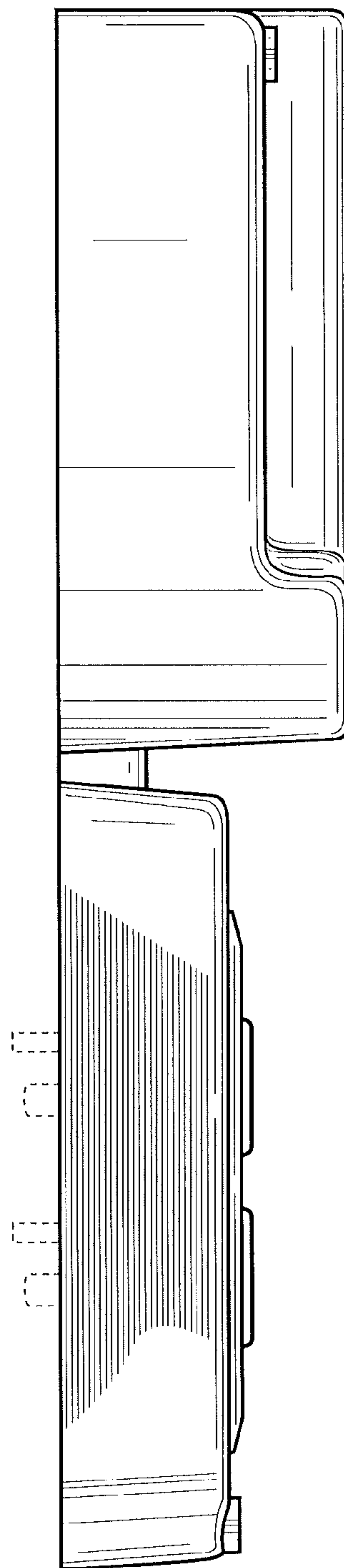


FIG. 5

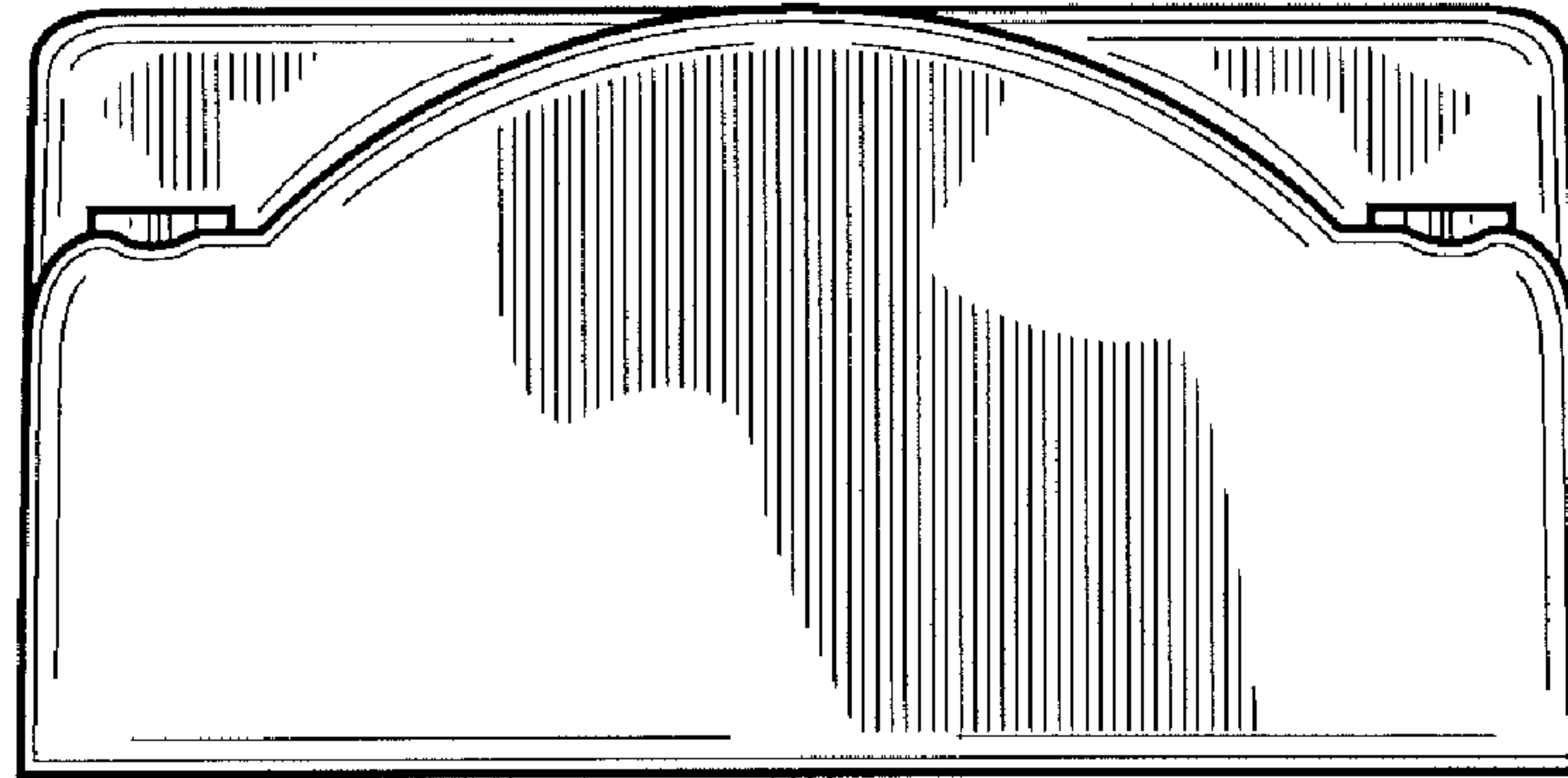


FIG. 6

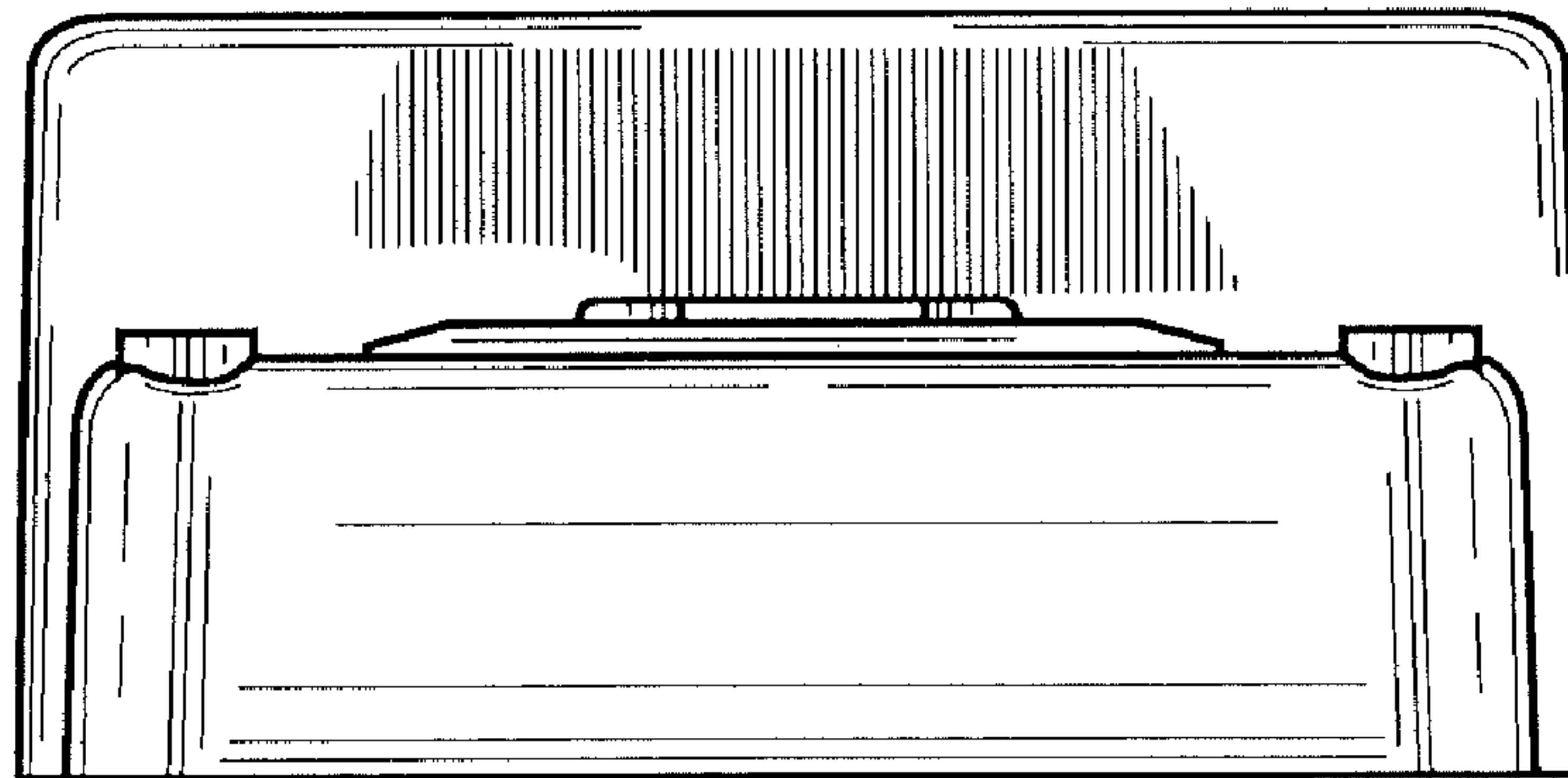


FIG. 7



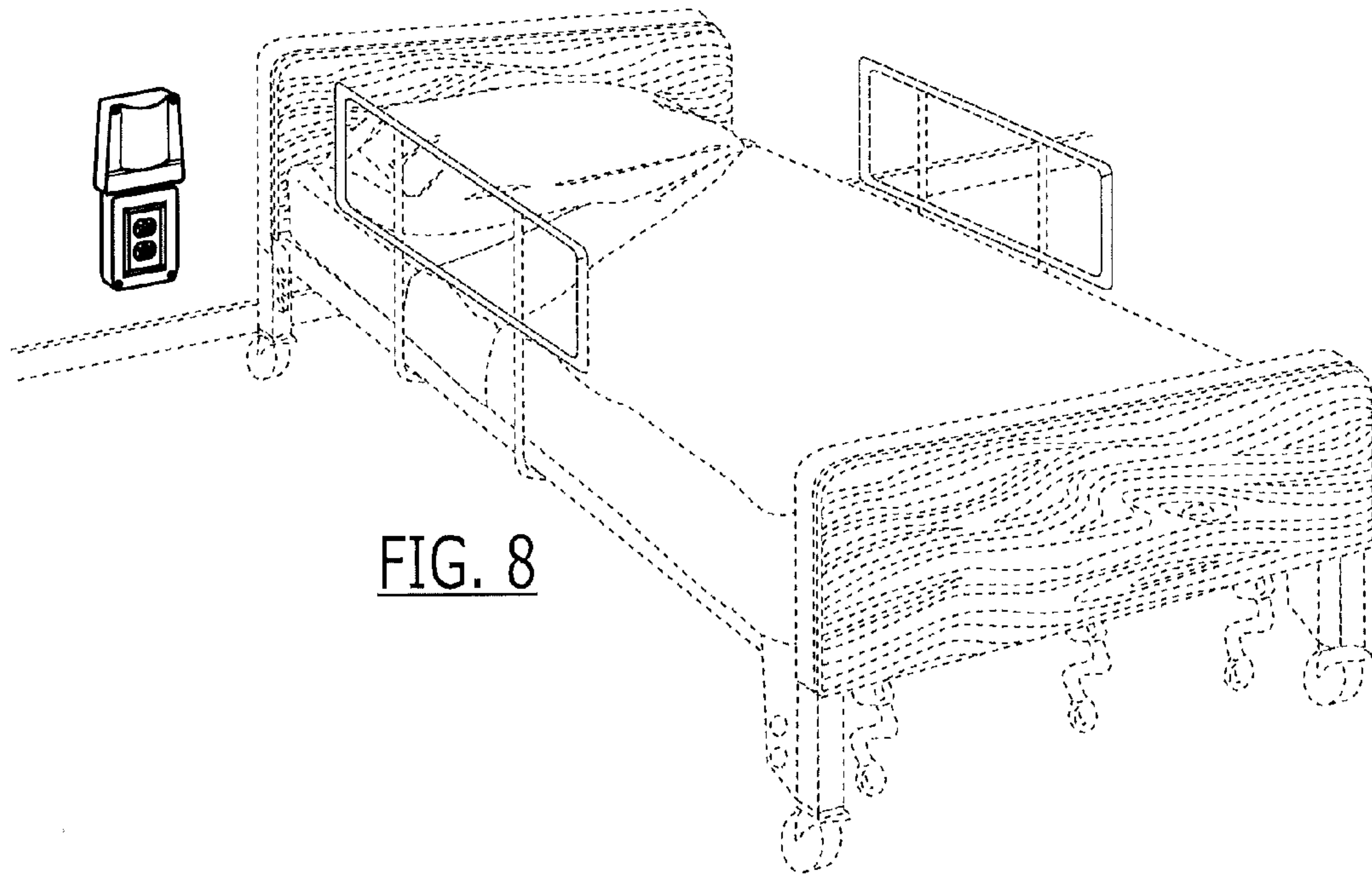


FIG. 8

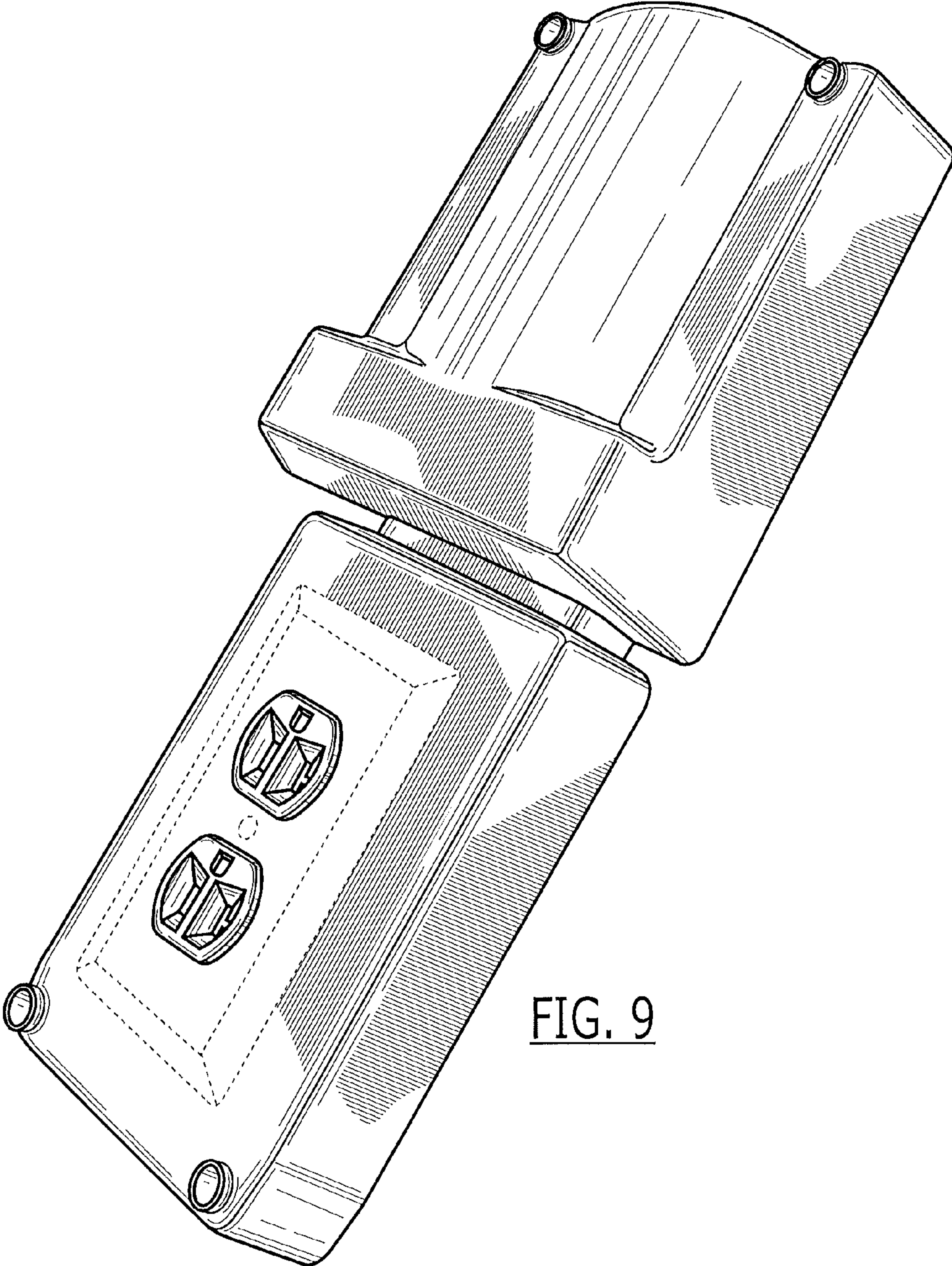


FIG. 9



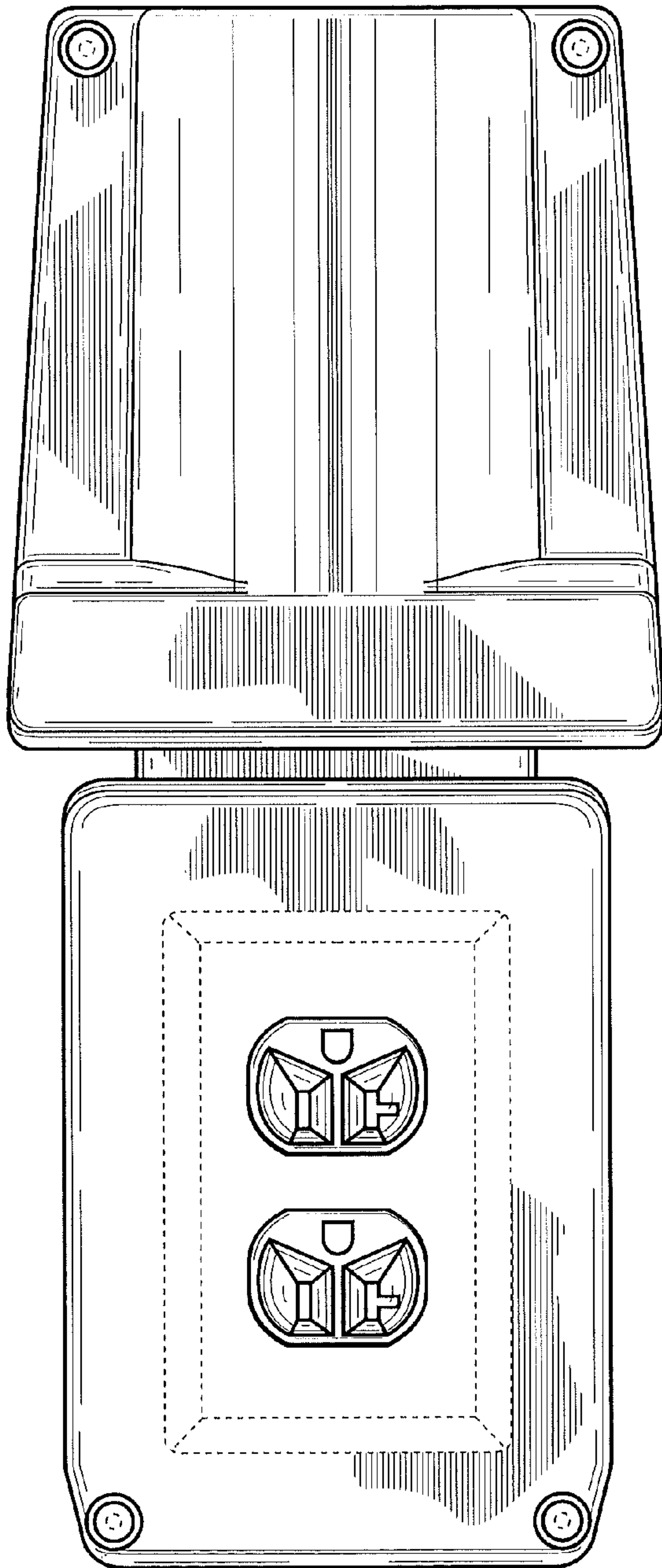


FIG. 10

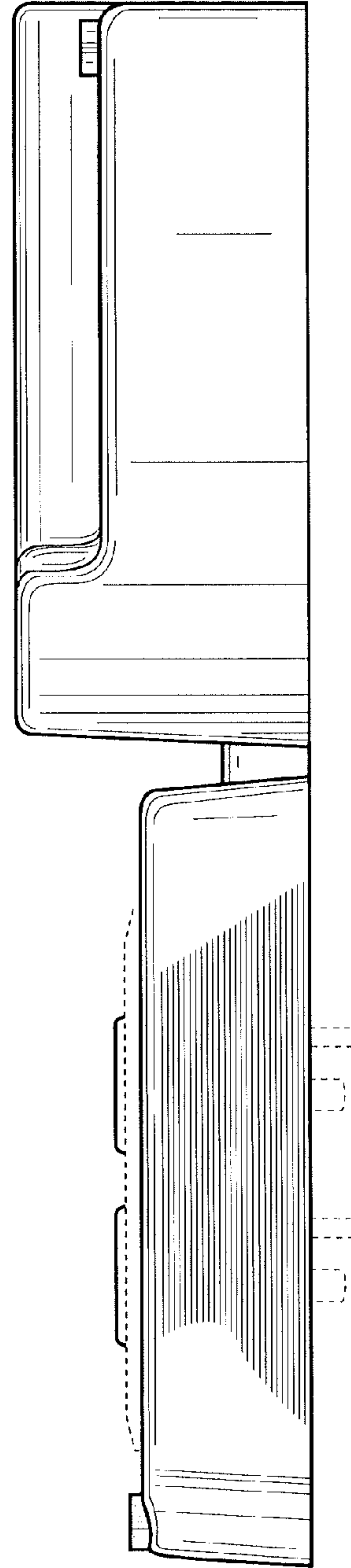


FIG. 11

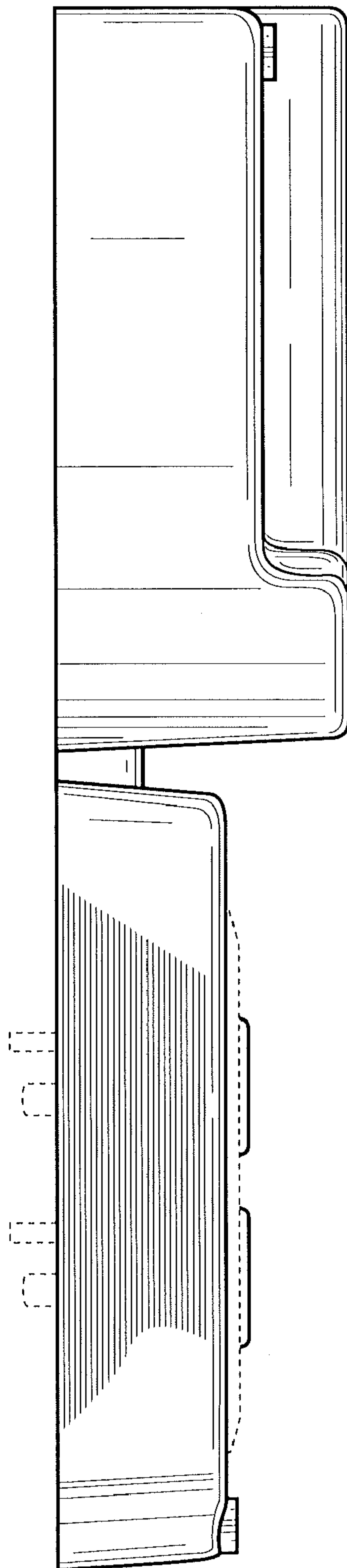


FIG. 12

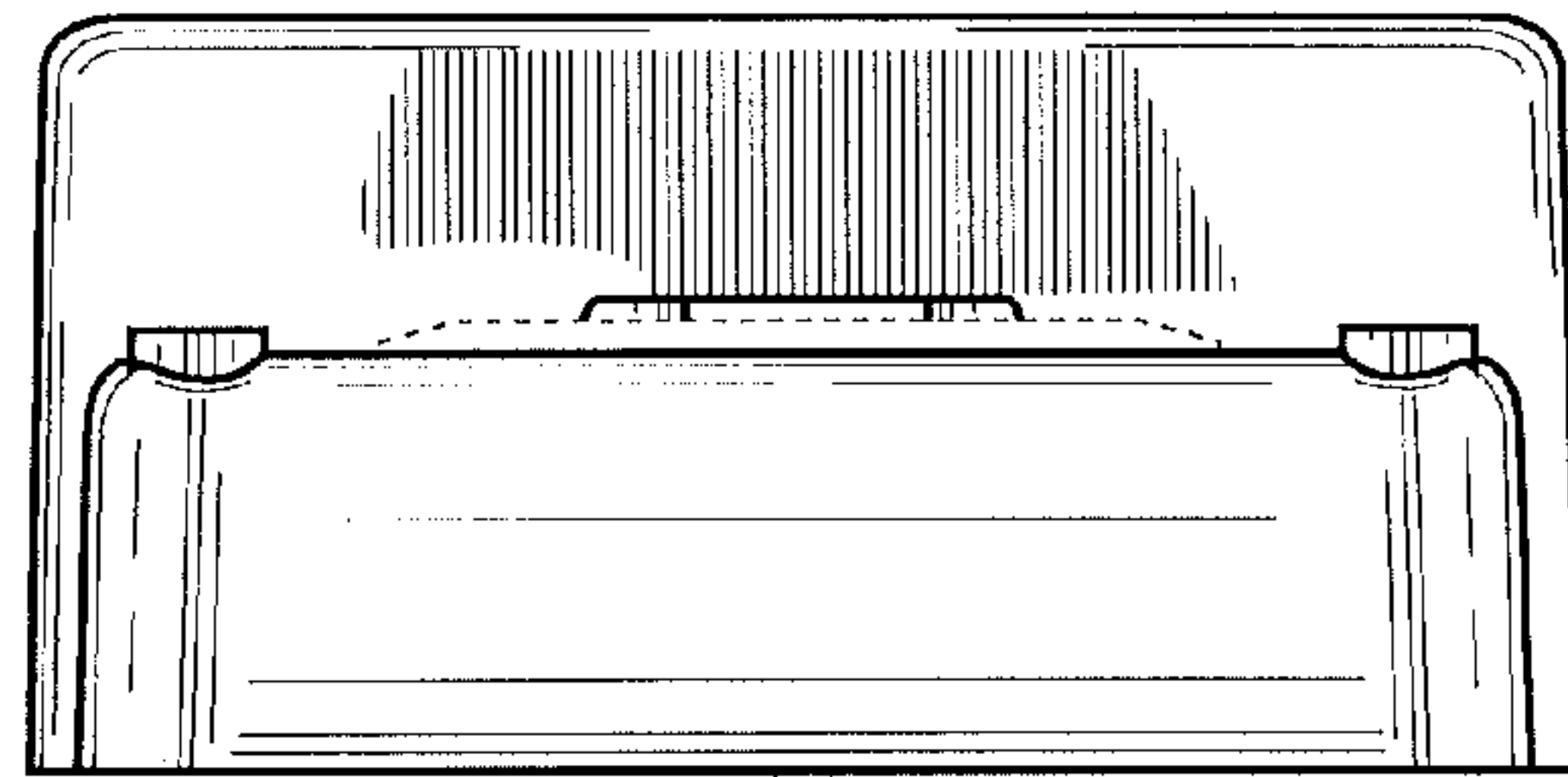


FIG. 13

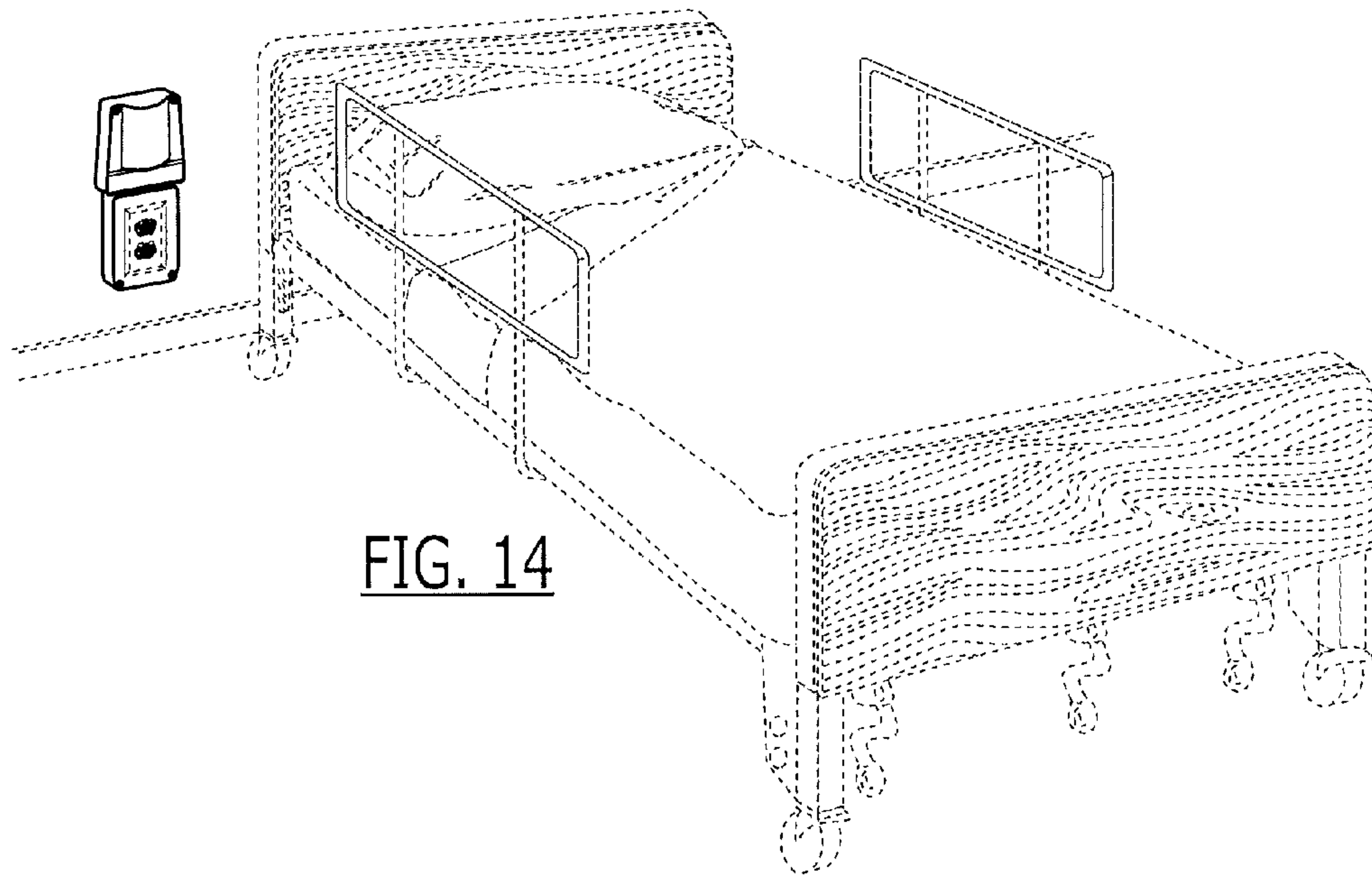


FIG. 14