



US00D618801S

(12) **United States Design Patent**
Ferner et al.

(10) **Patent No.:** **US D618,801 S**
(45) **Date of Patent:** **** Jun. 29, 2010**

(54) **PROSTHETIC ARTICLE**

(75) Inventors: **Johan Ferner**, Malmö (SE); **Håkan Håkansson**, Lund (SE)

(73) Assignee: **GS Development AB**, Malmö (SE)

(**) Term: **14 Years**

(21) Appl. No.: **29/332,919**

(22) Filed: **Feb. 27, 2009**

(30) **Foreign Application Priority Data**

Aug. 29, 2008 (EM) 000993514-0001

(51) **LOC (9) Cl.** **24-01**

(52) **U.S. Cl.** **D24/155**

(58) **Field of Classification Search** D24/155;
623/11.11, 16, 14, 20.23, 20.33, 33, 41, 17.11–17.16
See application file for complete search history.

(56) **References Cited**

U.S. PATENT DOCUMENTS

4,025,964	A *	5/1977	Owens	623/11.11
4,217,666	A *	8/1980	Averill	623/20.33
4,608,054	A *	8/1986	Schroder	623/39
D336,519	S *	6/1993	Greene et al.	D24/155
5,549,689	A *	8/1996	Epstein et al.	623/20.23
5,549,710	A *	8/1996	Vera et al.	623/38
6,106,559	A *	8/2000	Meyer	623/33
6,162,254	A *	12/2000	Timoteo	623/20.33

6,217,618	B1 *	4/2001	Hileman	623/20.33
D445,175	S *	7/2001	Bertheas	D24/155
D472,970	S *	4/2003	Lund	D24/155
6,596,028	B1 *	7/2003	Laghi	623/33
6,689,171	B2 *	2/2004	Slemker et al.	623/33
7,364,589	B2 *	4/2008	Eisermann	623/17.15
7,422,605	B2 *	9/2008	Burstein et al.	623/20.33

* cited by examiner

Primary Examiner—Charles A Rademaker

(74) *Attorney, Agent, or Firm*—Thomas, Kayden, Horstemeyer & Risley, LLP; Todd Deveau

(57) **CLAIM**

The ornamental design for a prosthetic article, as shown and described.

DESCRIPTION

FIG. 1 is a perspective view of a prosthetic article showing our new design;

FIG. 2 is a top plan view thereof;

FIG. 3 is a bottom plan view thereof;

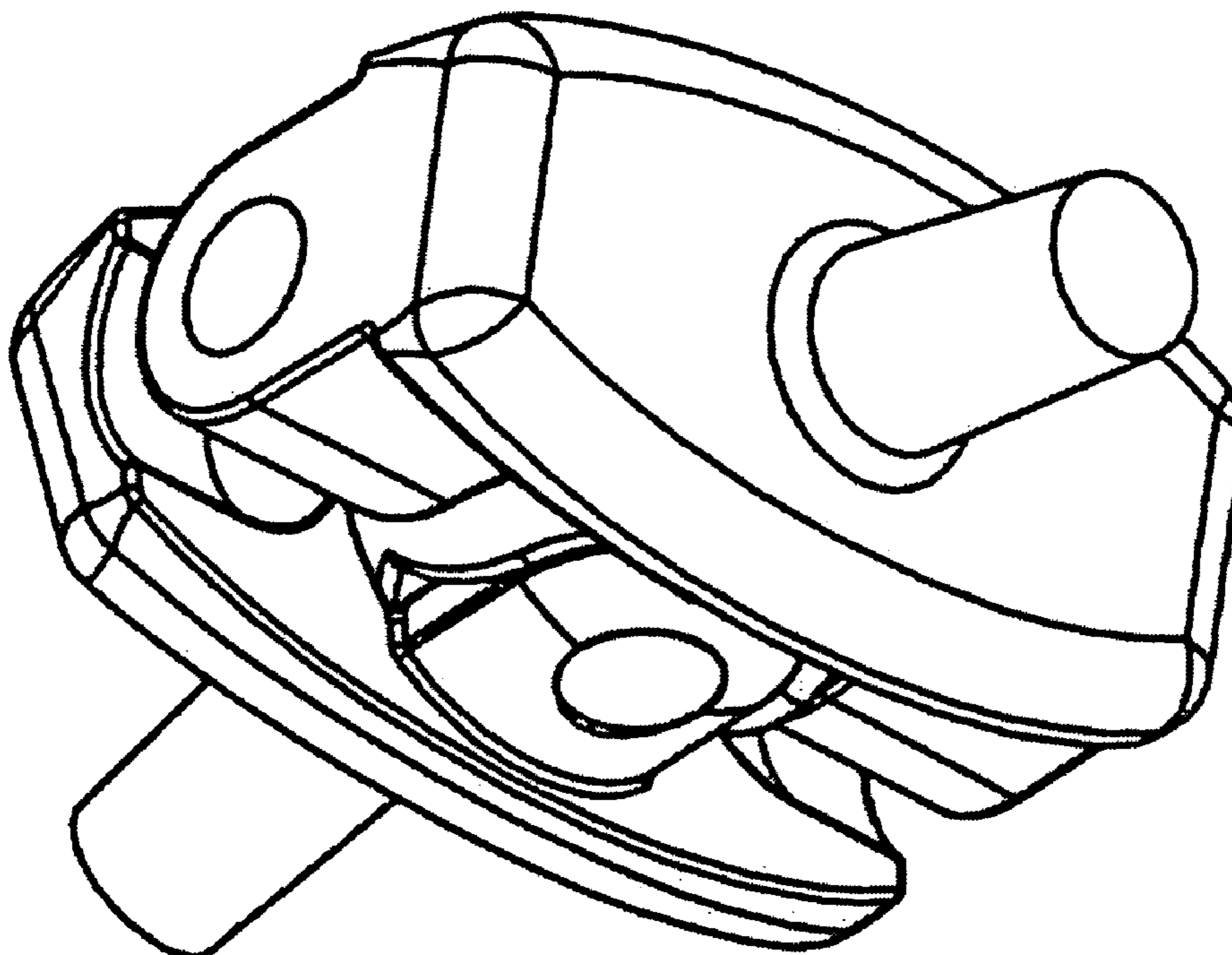
FIG. 4 is a side elevation thereof;

FIG. 5 is a left end elevation thereof;

FIG. 6 is a side elevation of the side opposite that shown in FIG. 4; and,

FIG. 7 is an end elevation of the end opposite that shown in FIG. 5.

1 Claim, 7 Drawing Sheets



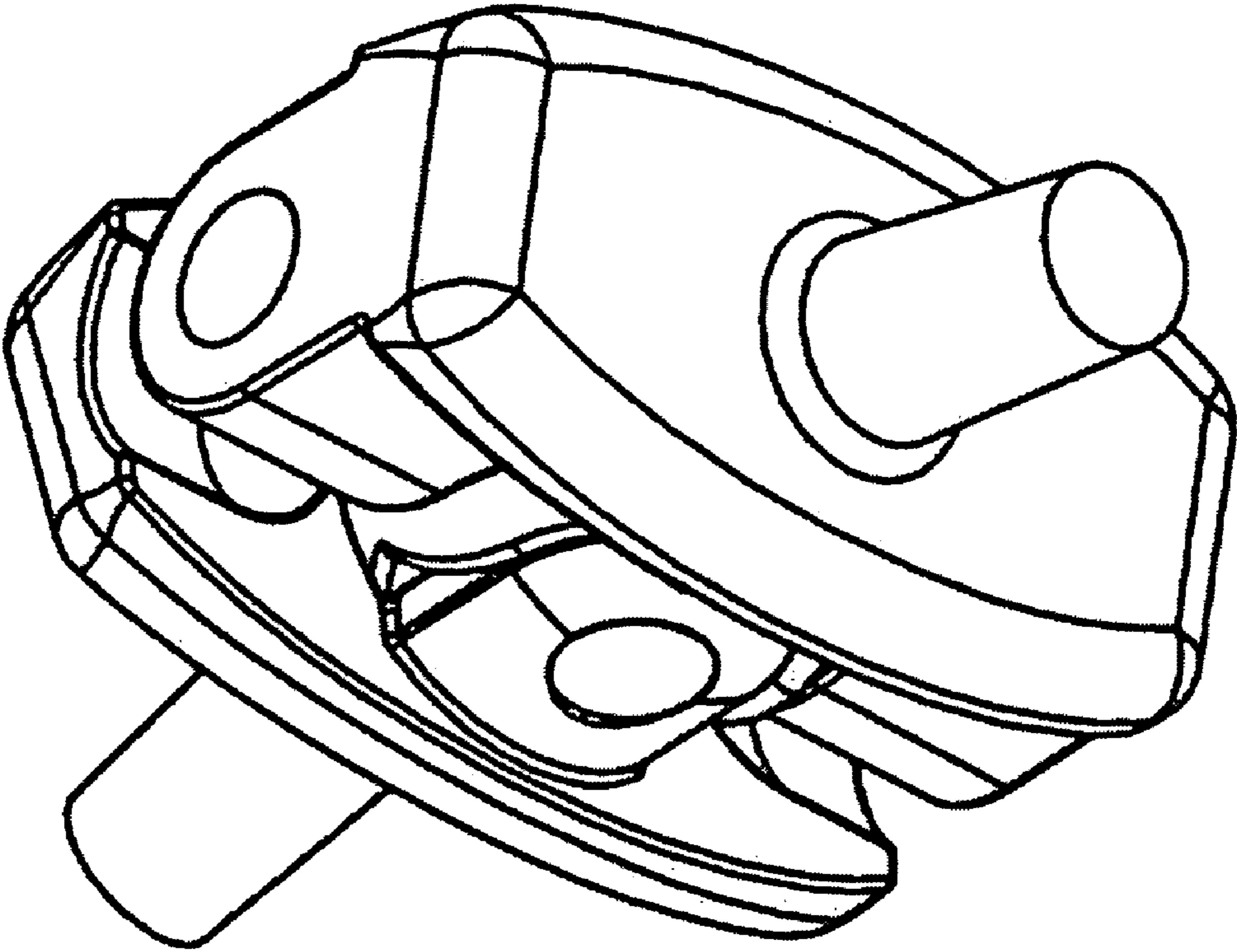


FIG. 1

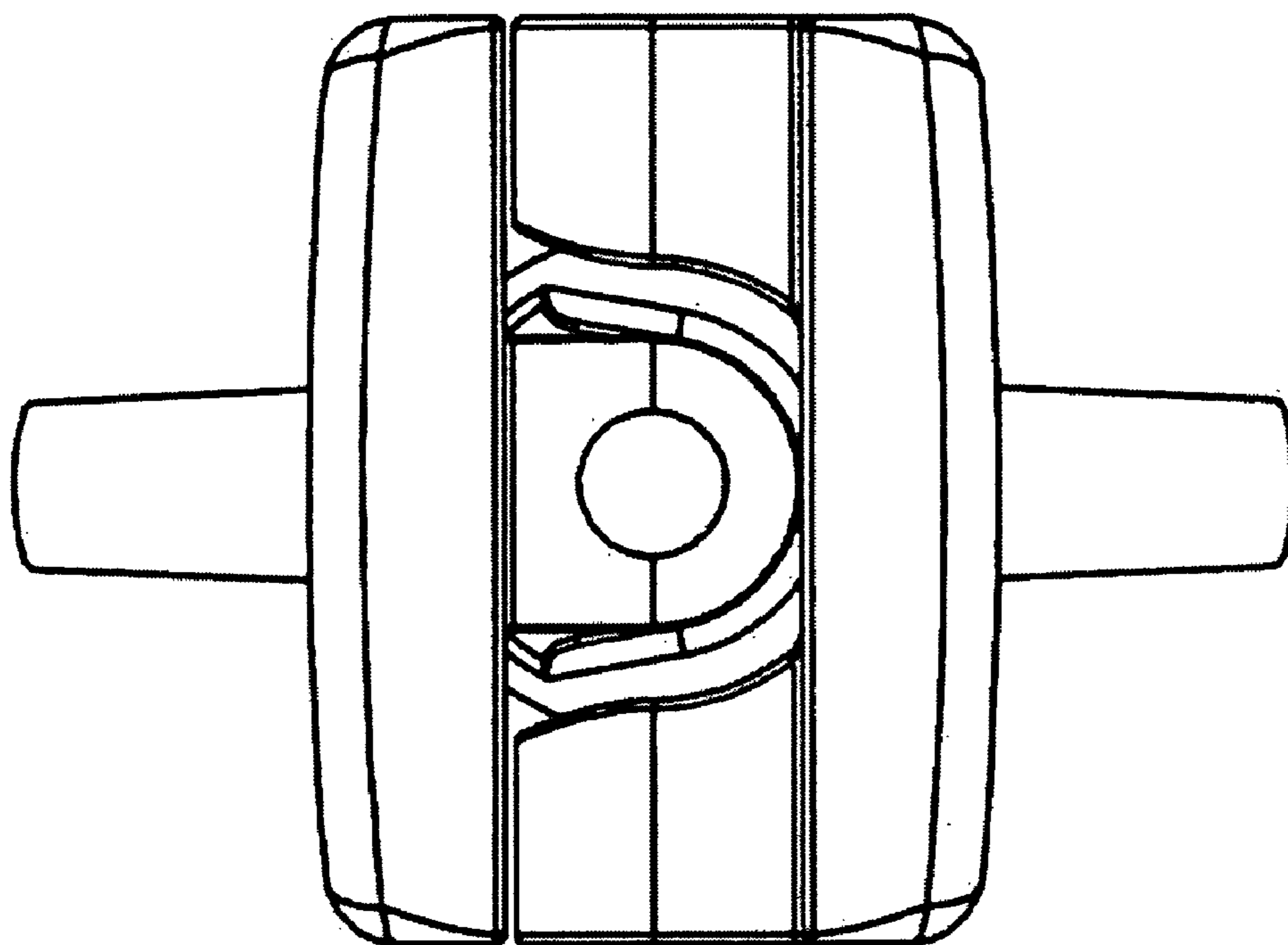


FIG. 2

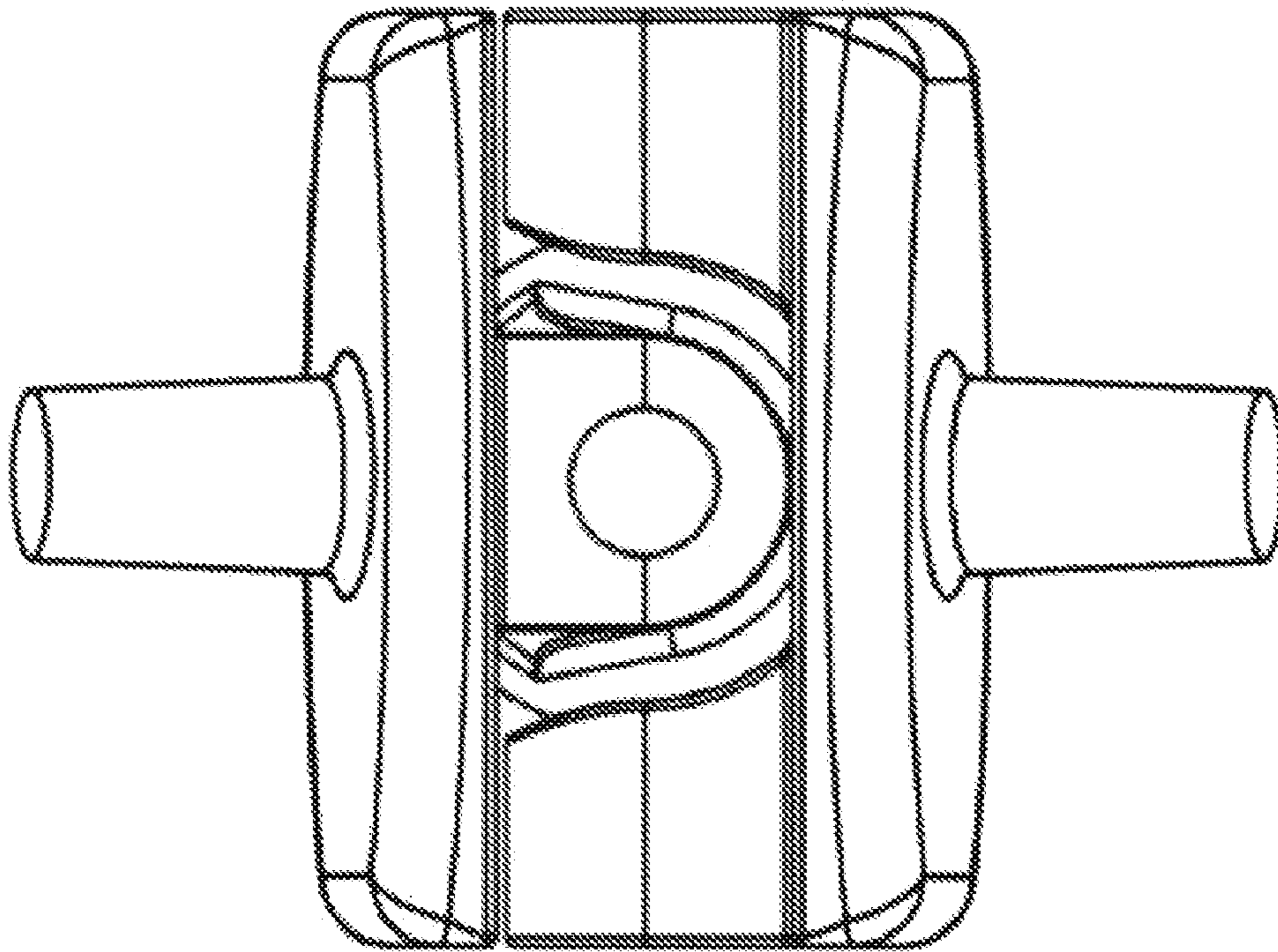


FIG. 3

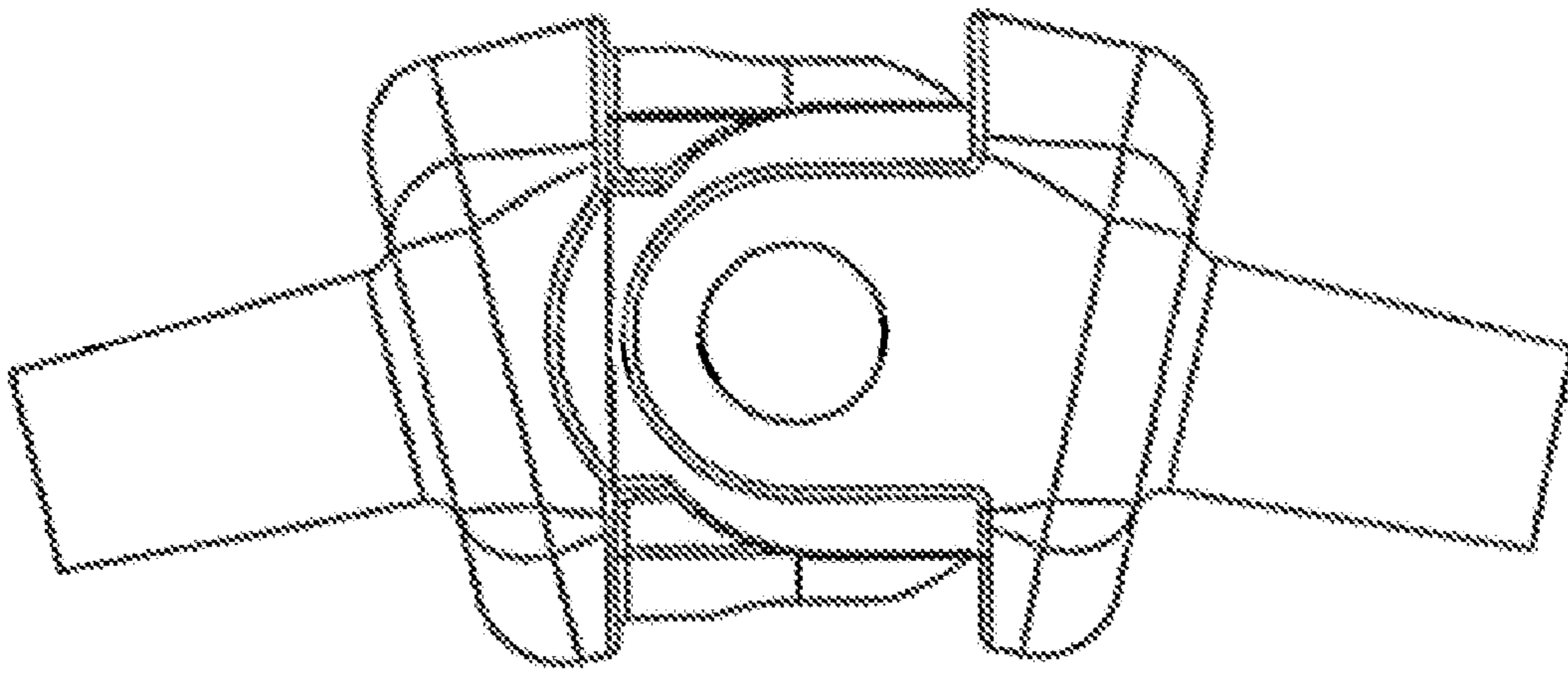


FIG. 4

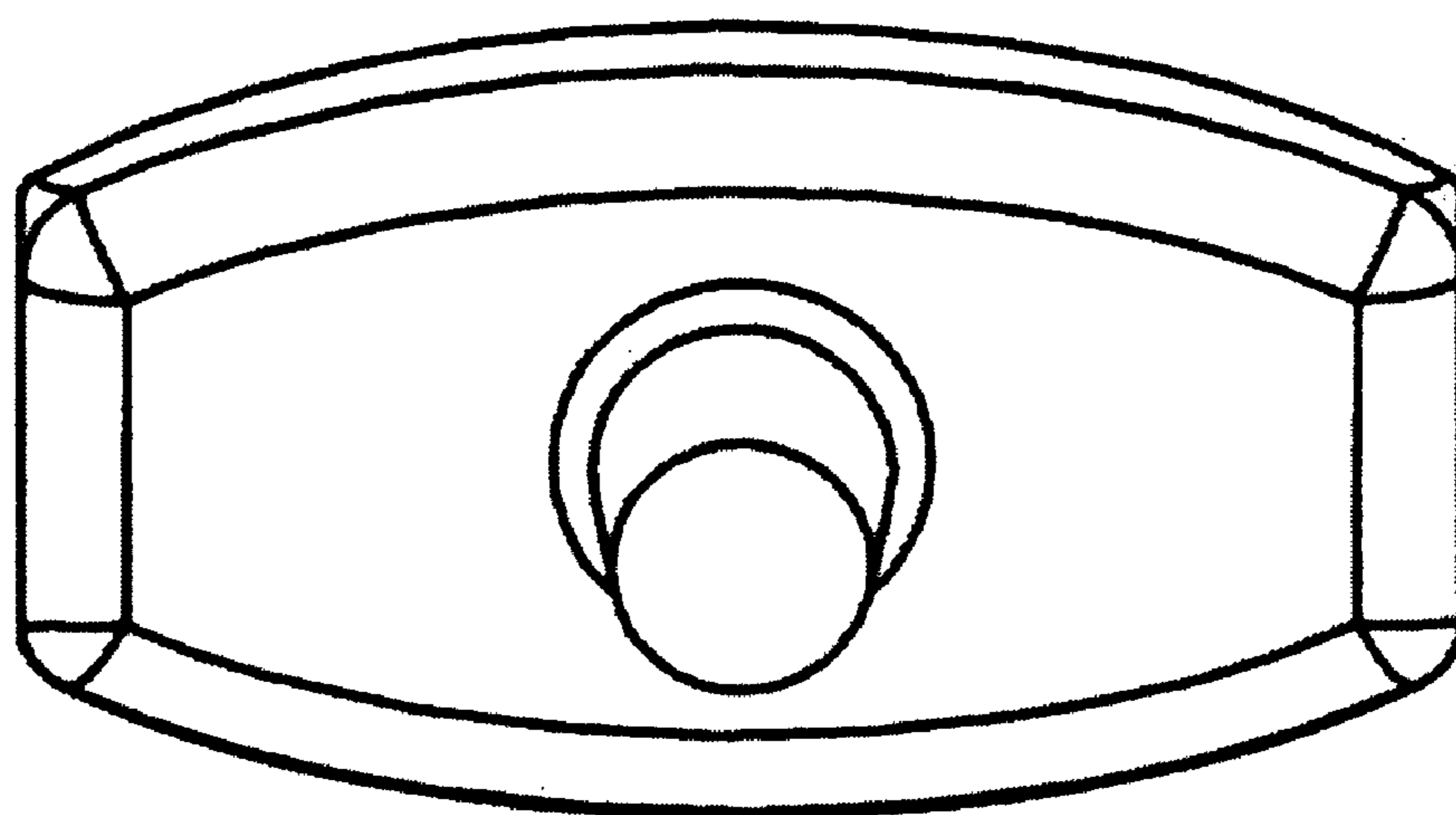


FIG. 5

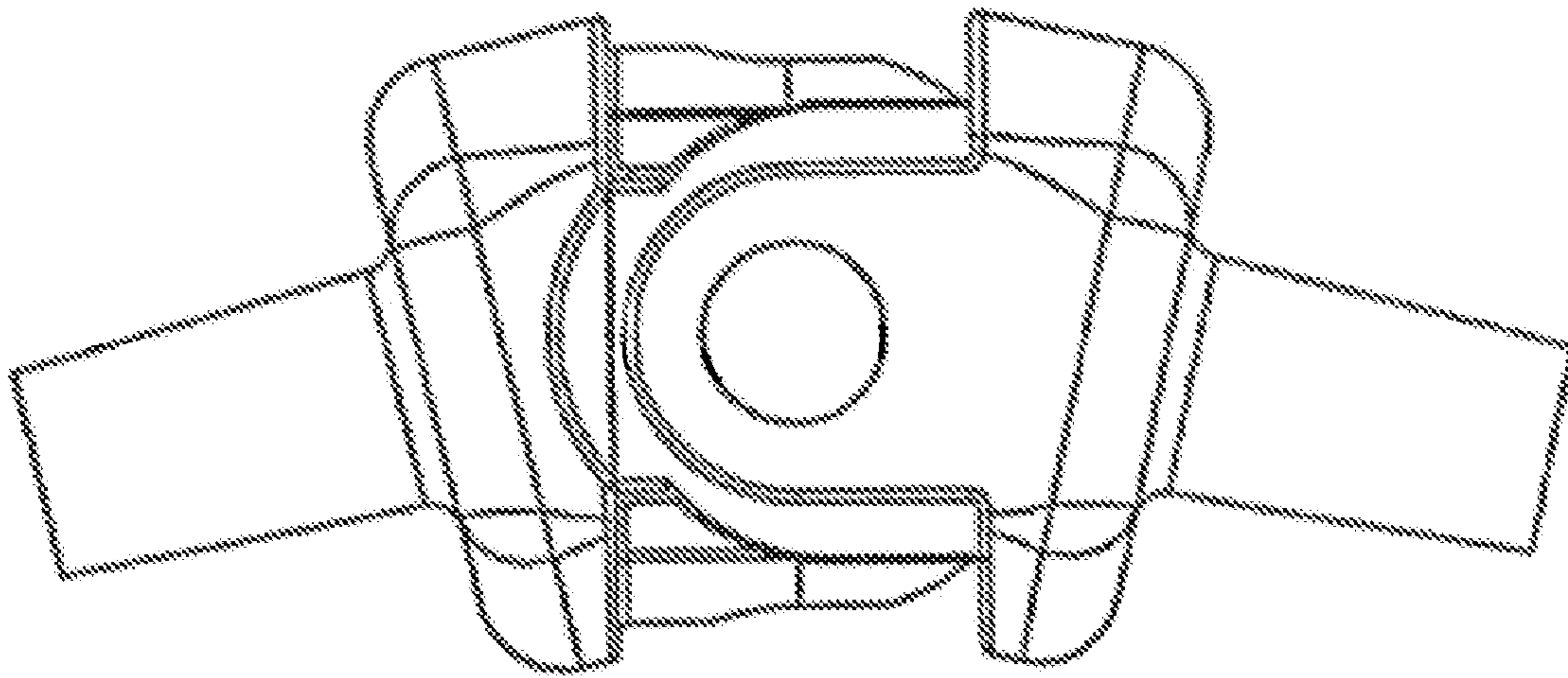


FIG. 6

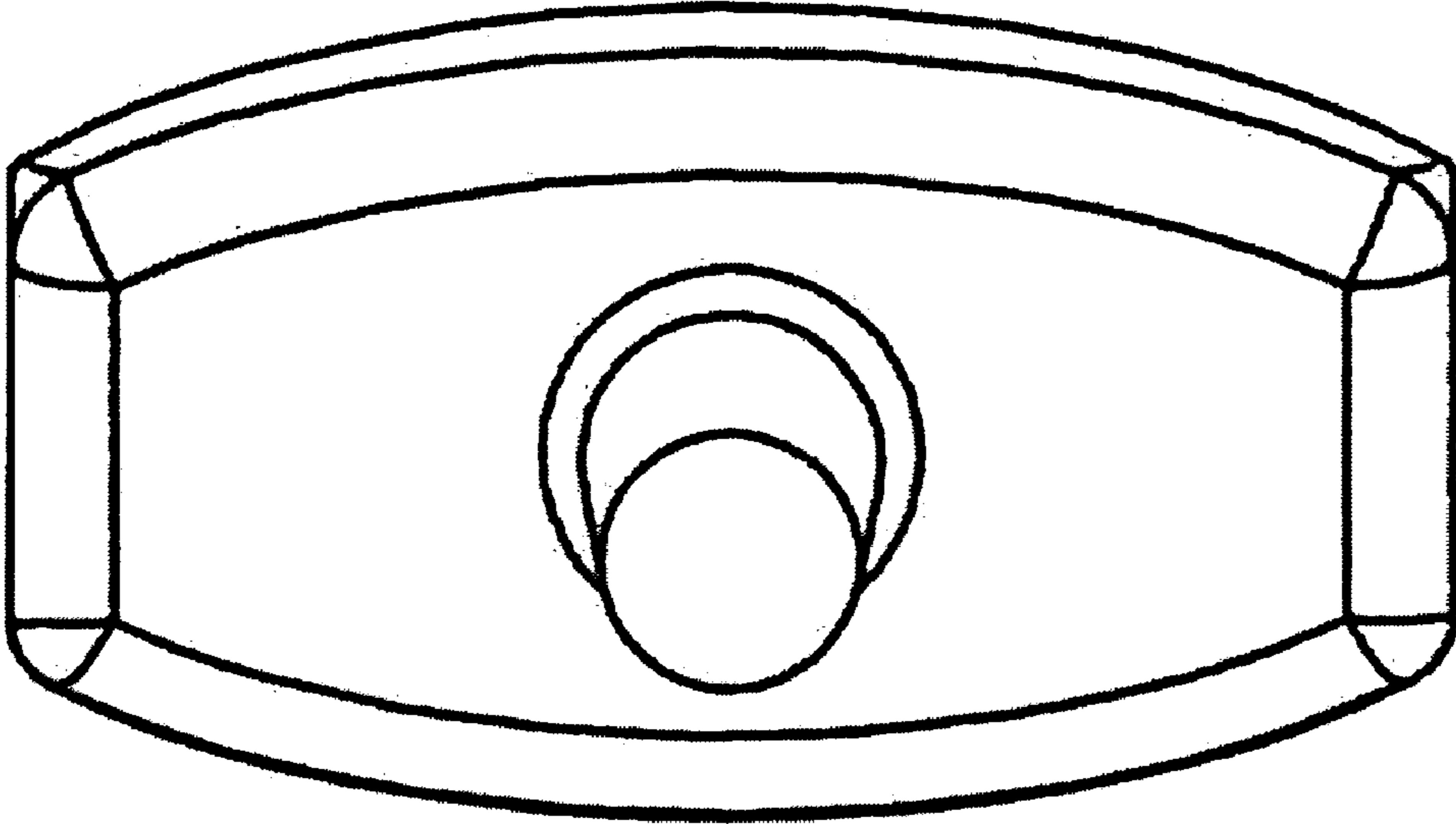


FIG. 7