



US00D618796S

(12) **United States Design Patent**  
**Cantu et al.**

(10) **Patent No.:** **US D618,796 S**  
(45) **Date of Patent:** **\*\* Jun. 29, 2010**

(54) **LOCKABLE ARTICULATING BASE PLATE**

(75) Inventors: **Alberto Cantu**, San Francisco, CA (US); **Bryce Way**, San Jose, CA (US); **Philip Thompson**, Pawnee, IL (US); **Lex Jansen**, Pleasanton, CA (US)

(73) Assignee: **Vertos Medical, Inc.**, Aliso Viejo, CA (US)

(\*\*) Term: **14 Years**

(21) Appl. No.: **29/340,939**

(22) Filed: **Jul. 28, 2009**

(51) **LOC (9) Cl.** ..... **24-02**

(52) **U.S. Cl.** ..... **D24/140; D24/133**

(58) **Field of Classification Search** ..... D24/140, D24/133, 128, 130, 171, 232; 600/414, 424, 600/434, 435; 606/130, 237, 253, 266, 96, 606/90

See application file for complete search history.

(56) **References Cited**

**U.S. PATENT DOCUMENTS**

3,683,892	A *	8/1972	Harris	.....	600/567
5,484,446	A *	1/1996	Burke et al.	.....	606/87
5,722,977	A *	3/1998	Wilhelmy	.....	606/84
D420,132	S *	2/2000	Bucholz et al.	.....	D24/140
D466,609	S *	12/2002	Glossop	.....	D24/140
6,490,467	B1 *	12/2002	Bucholz et al.	.....	600/407
D484,975	S *	1/2004	Belokin	.....	D24/128
D502,541	S *	3/2005	Abry	.....	D24/128
D532,515	S *	11/2006	Buttler et al.	.....	D24/140
D533,664	S *	12/2006	Buttler et al.	.....	D24/140

7,169,155 B2 \* 1/2007 Chu et al. .... 606/130  
2003/0171681 A1 \* 9/2003 Weilandt ..... 600/464  
2004/0243146 A1 \* 12/2004 Chesbrough et al. .... 606/130

(Continued)

*Primary Examiner*—Mark A Goodwin  
(74) *Attorney, Agent, or Firm*—Finnegan, Henderson, Farabow, Garrett & Dunner, LLP

(57) **CLAIM**

The ornamental design for lockable articulating base plate, as shown and described.

**DESCRIPTION**

FIG. 1 is a top perspective view of a lockable articulating base plate showing our new design.

FIG. 2 is a left side view of the design of FIG. 1.

FIG. 3 is a rear view of the design of FIG. 1.

FIG. 4 is a bottom view of the design of FIG. 1.

FIG. 5 is a top view of the design of FIG. 1.

FIG. 6 is a front view of the design of FIG. 1.

FIG. 7 is a right side view of the design of FIG. 1.

FIG. 8 is a top view of the lockable latch portion of FIG. 1 thereof shown separate for ease of illustration.

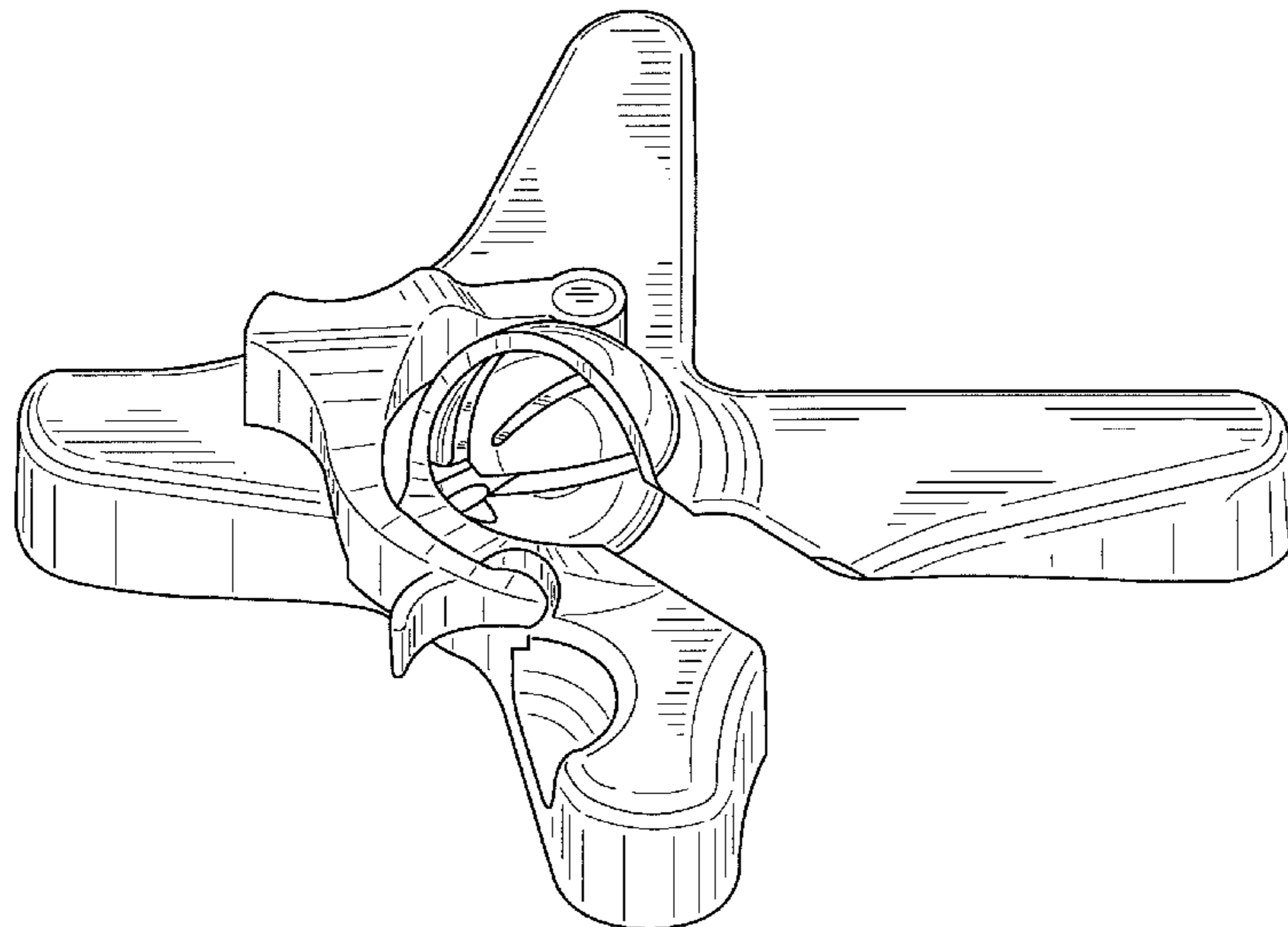
FIG. 9 is a top perspective view of the lockable latch portion of FIG. 1 thereof shown separate for ease of illustration.

FIG. 10 is a side view of the articulating ball portion of FIG. 1 thereof shown separate for ease of illustration; and,

FIG. 11 is a top view of the articulating ball portion of FIG. 1 thereof shown separate for ease of illustration.

The broken line showing of molding lines in the base plate in FIGS. 2 and 4 is included for the purpose of illustrating portions of the lockable articulating base plate and forms no part of the claimed design.

**1 Claim, 7 Drawing Sheets**



# US D618,796 S

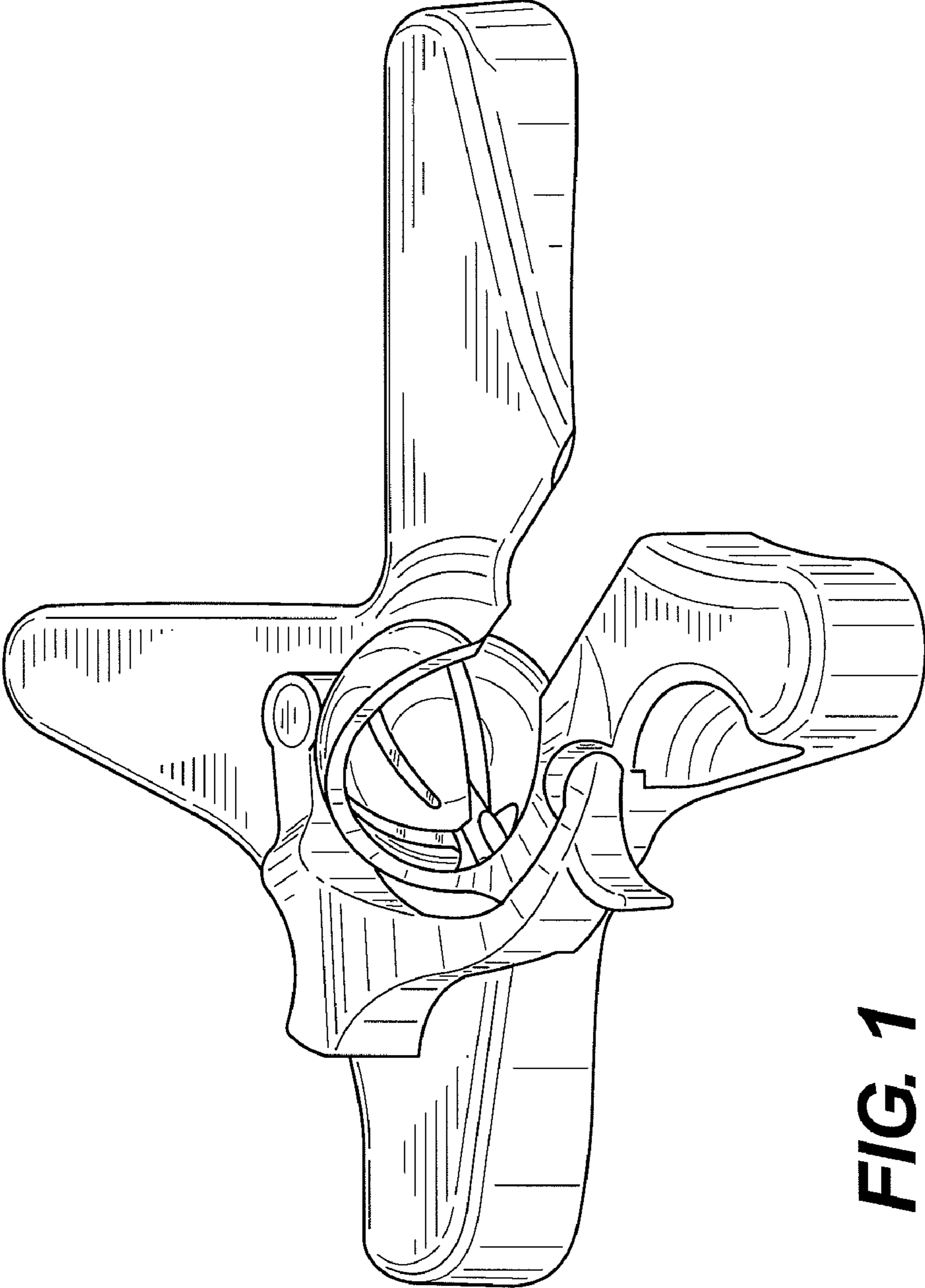
Page 2

---

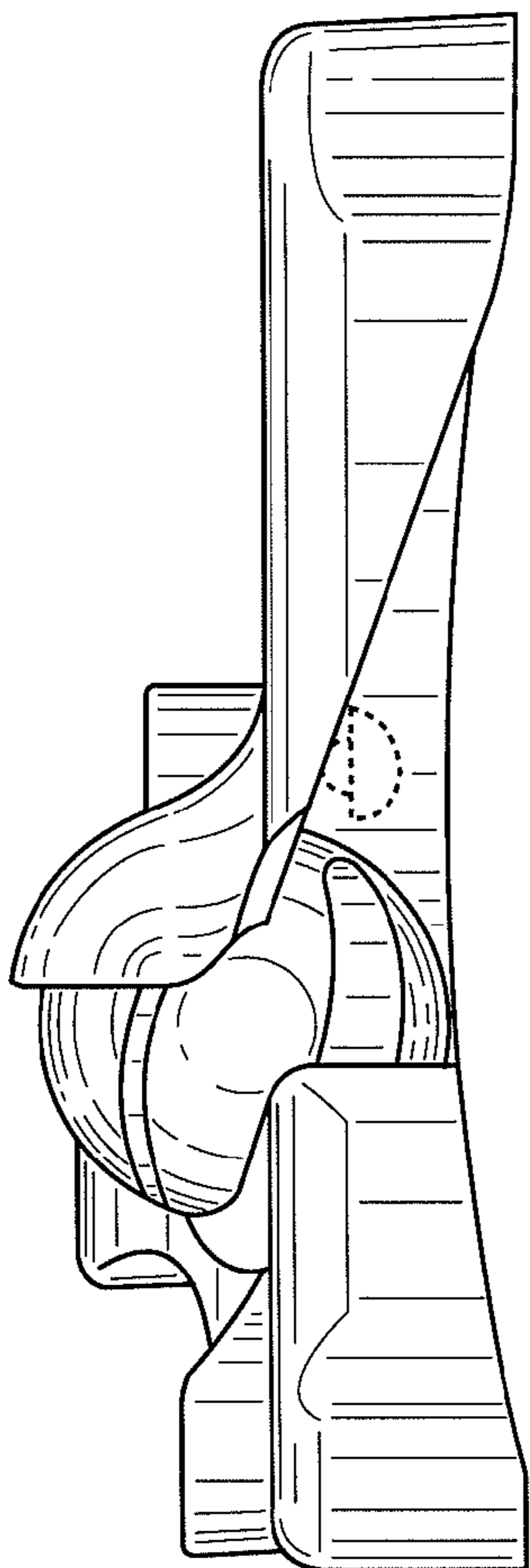
## U.S. PATENT DOCUMENTS

2004/0260312	A1*	12/2004	Magnusson et al. ....	606/130	2009/0247859	A1*	10/2009	Daum et al. ....	600/411
2008/0200798	A1*	8/2008	Eklund et al. ....	600/414	2010/0030232	A1*	2/2010	Zehavi et al. ....	606/130
2009/0200406	A1*	8/2009	Kronberger .....	239/585.5	2010/0042111	A1*	2/2010	Qureshi et al. ....	606/130

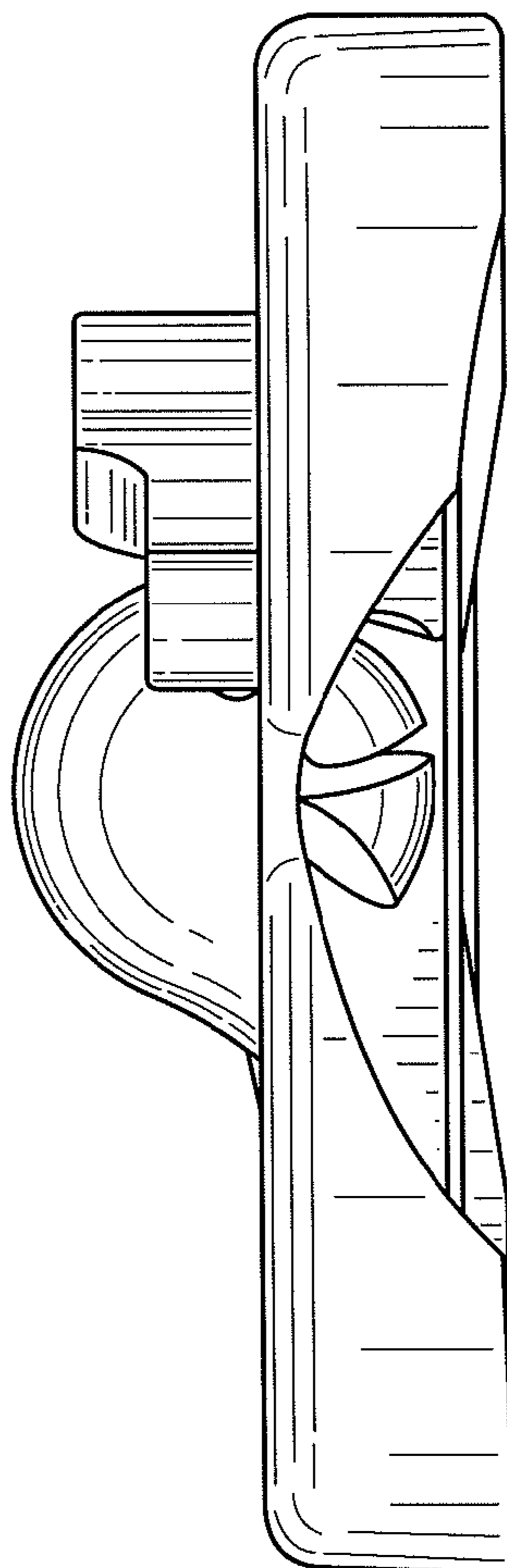
\* cited by examiner



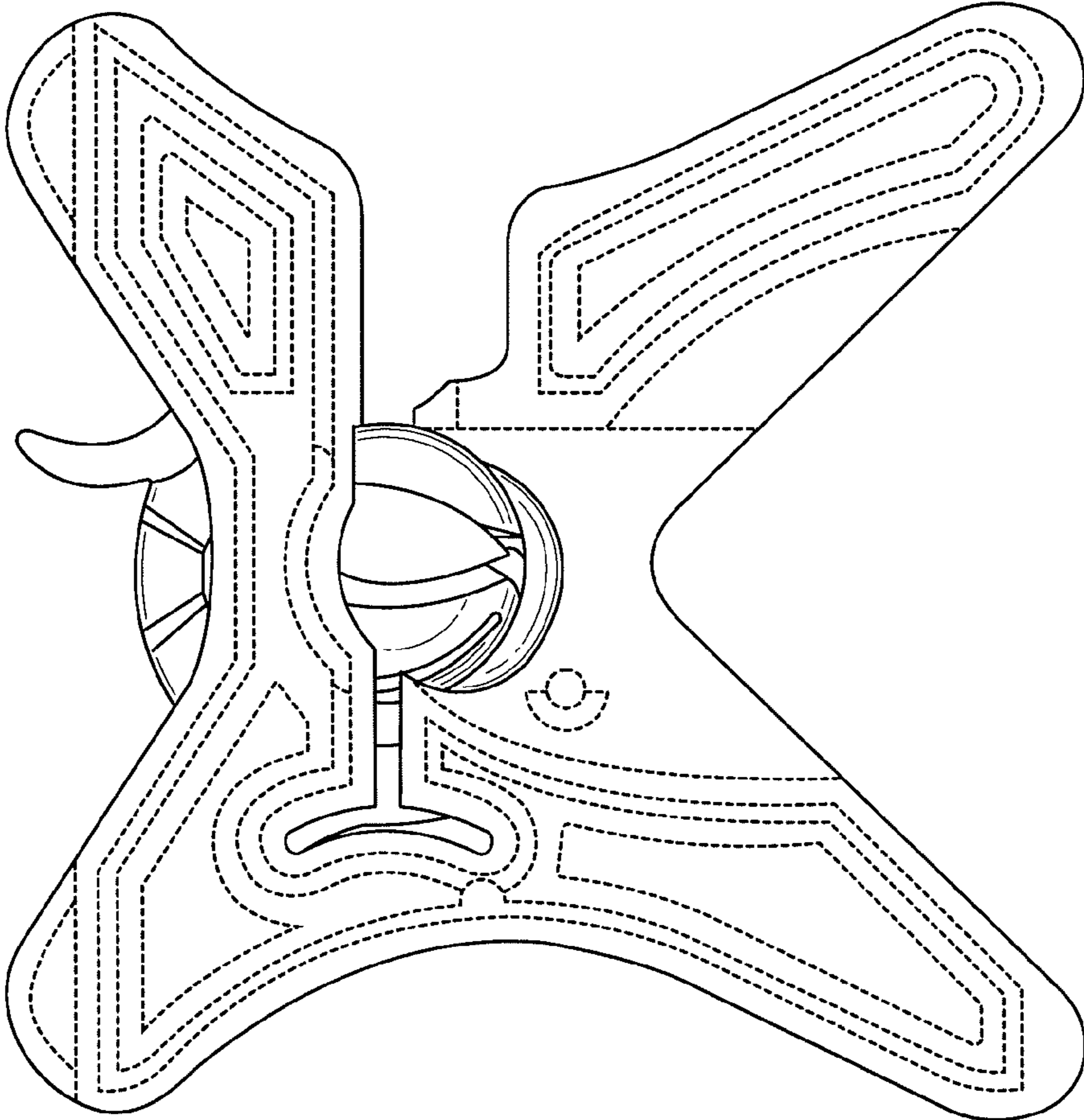
**FIG. 1**



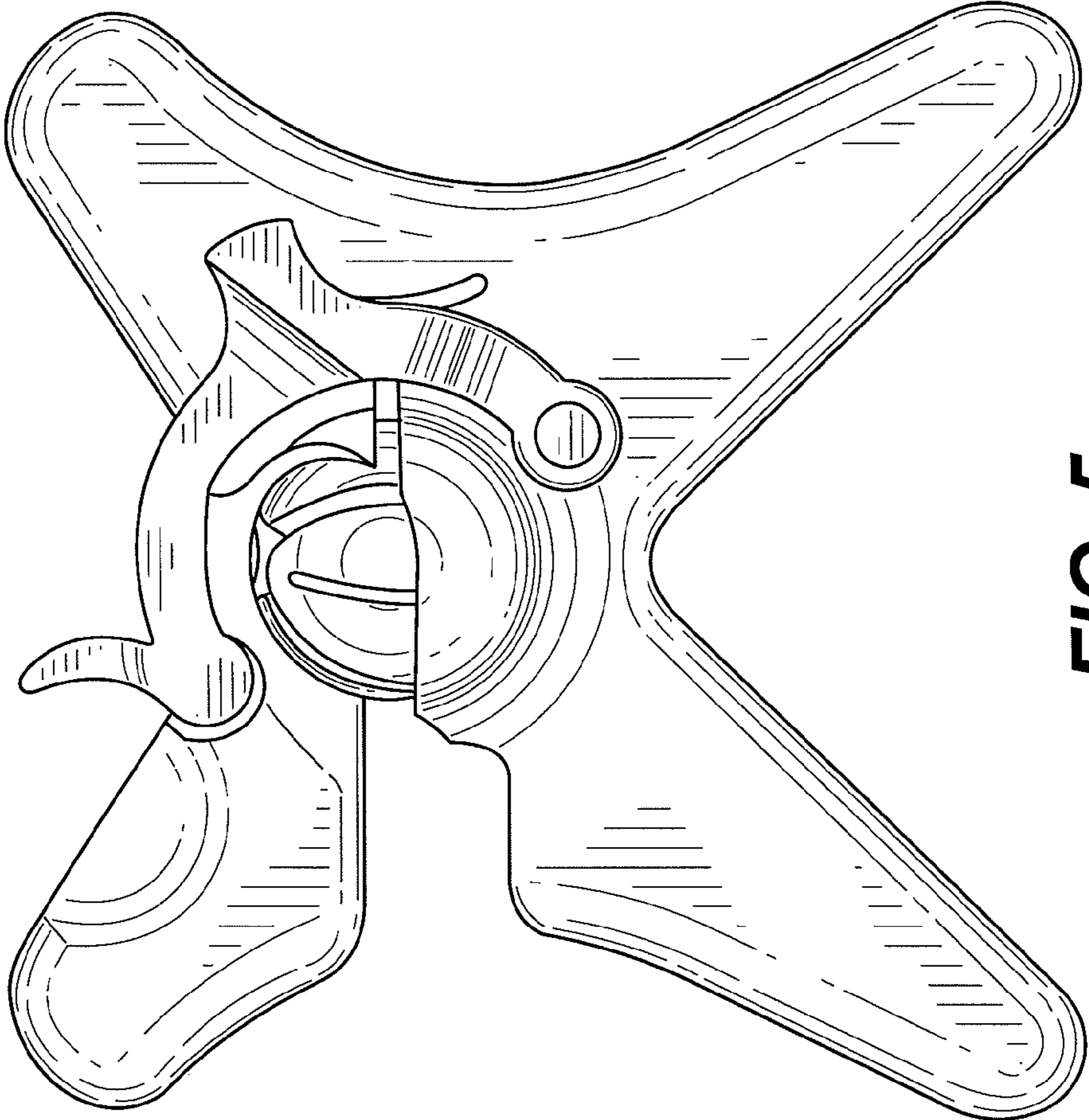
**FIG. 2**



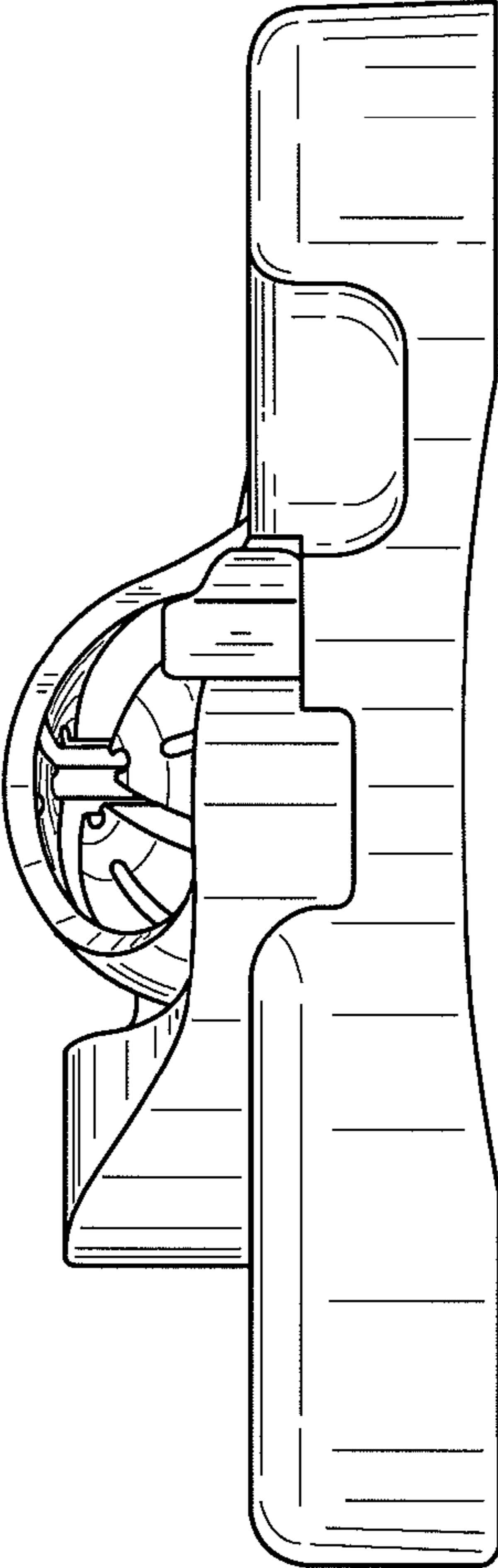
**FIG. 3**



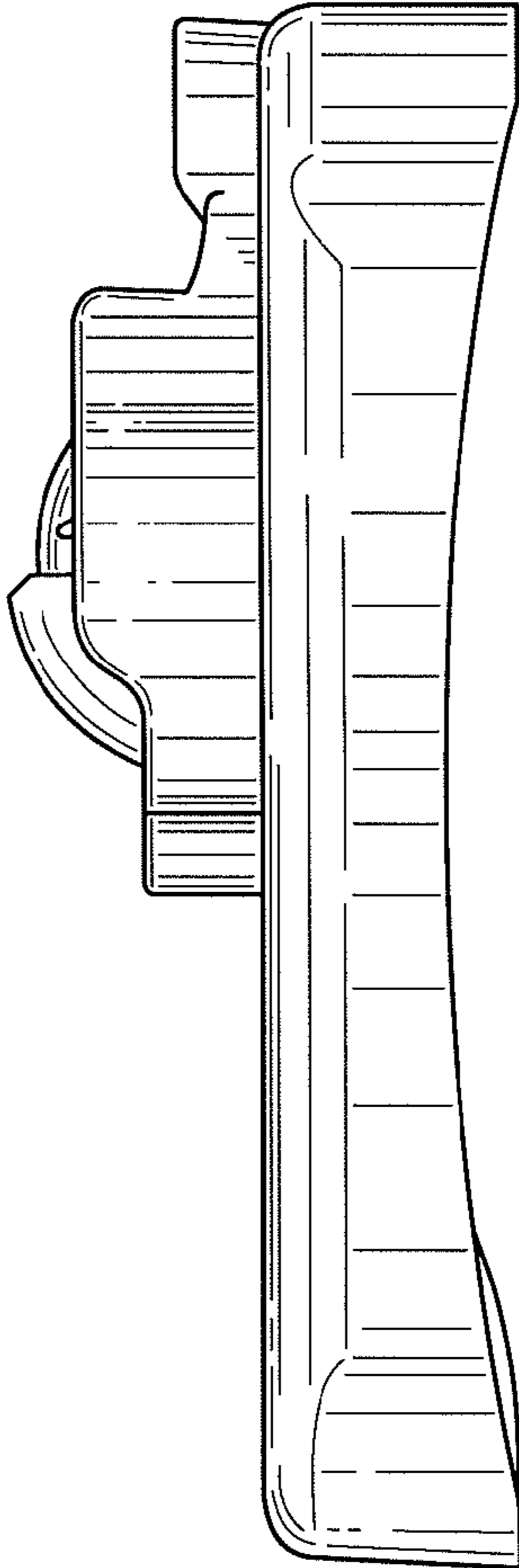
**FIG. 4**



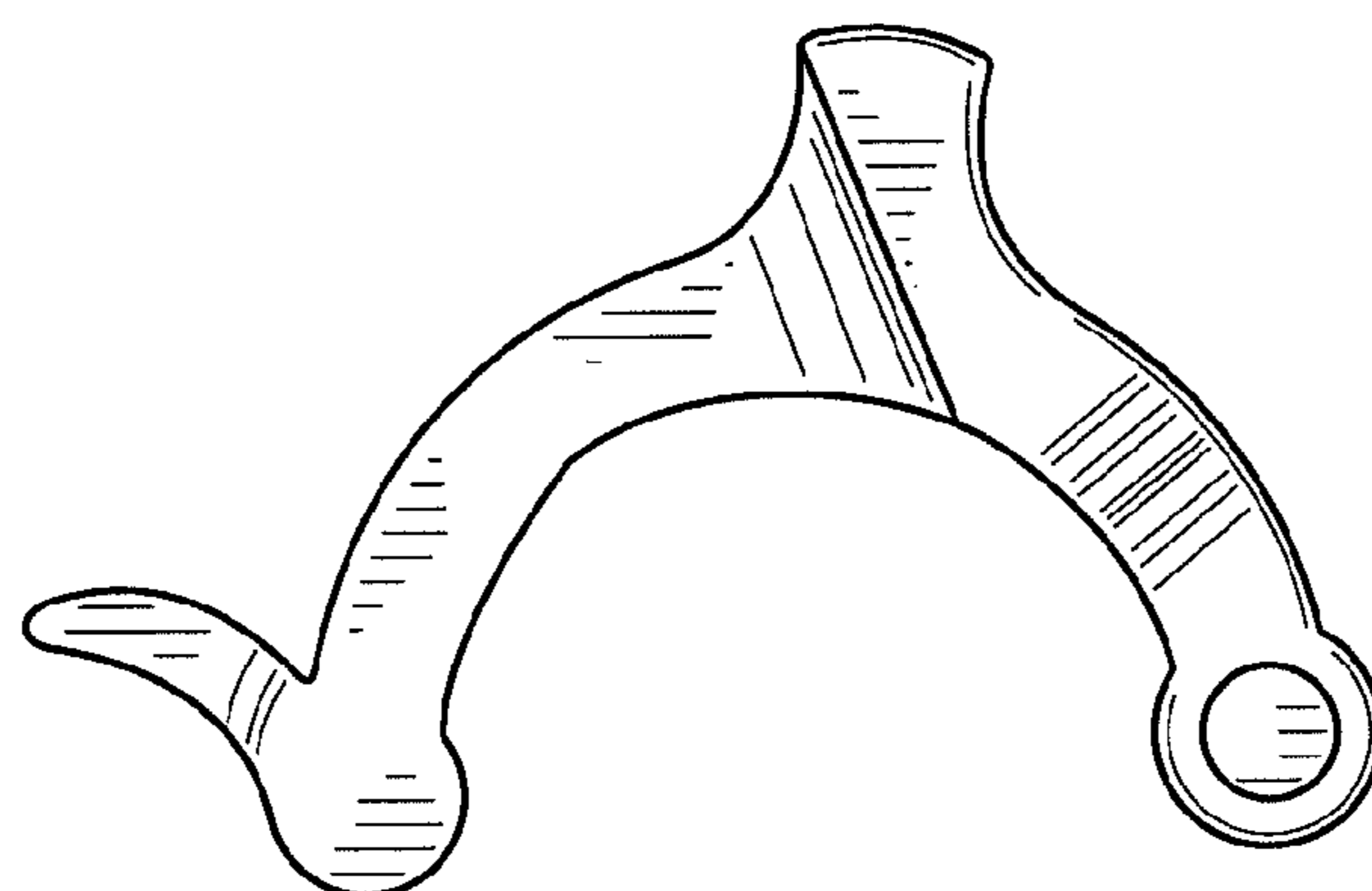
**FIG. 5**



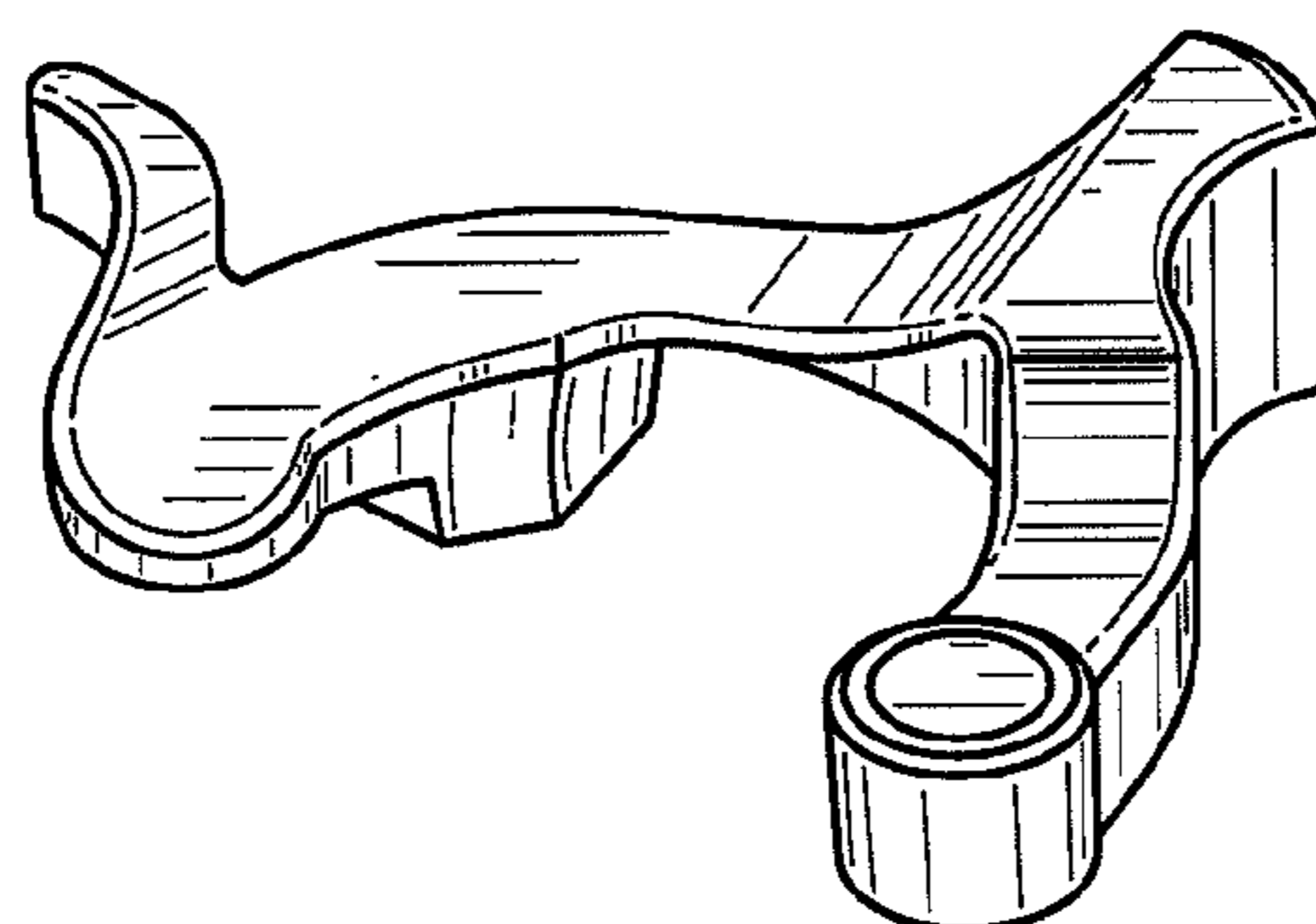
**FIG. 6**



**FIG. 7**

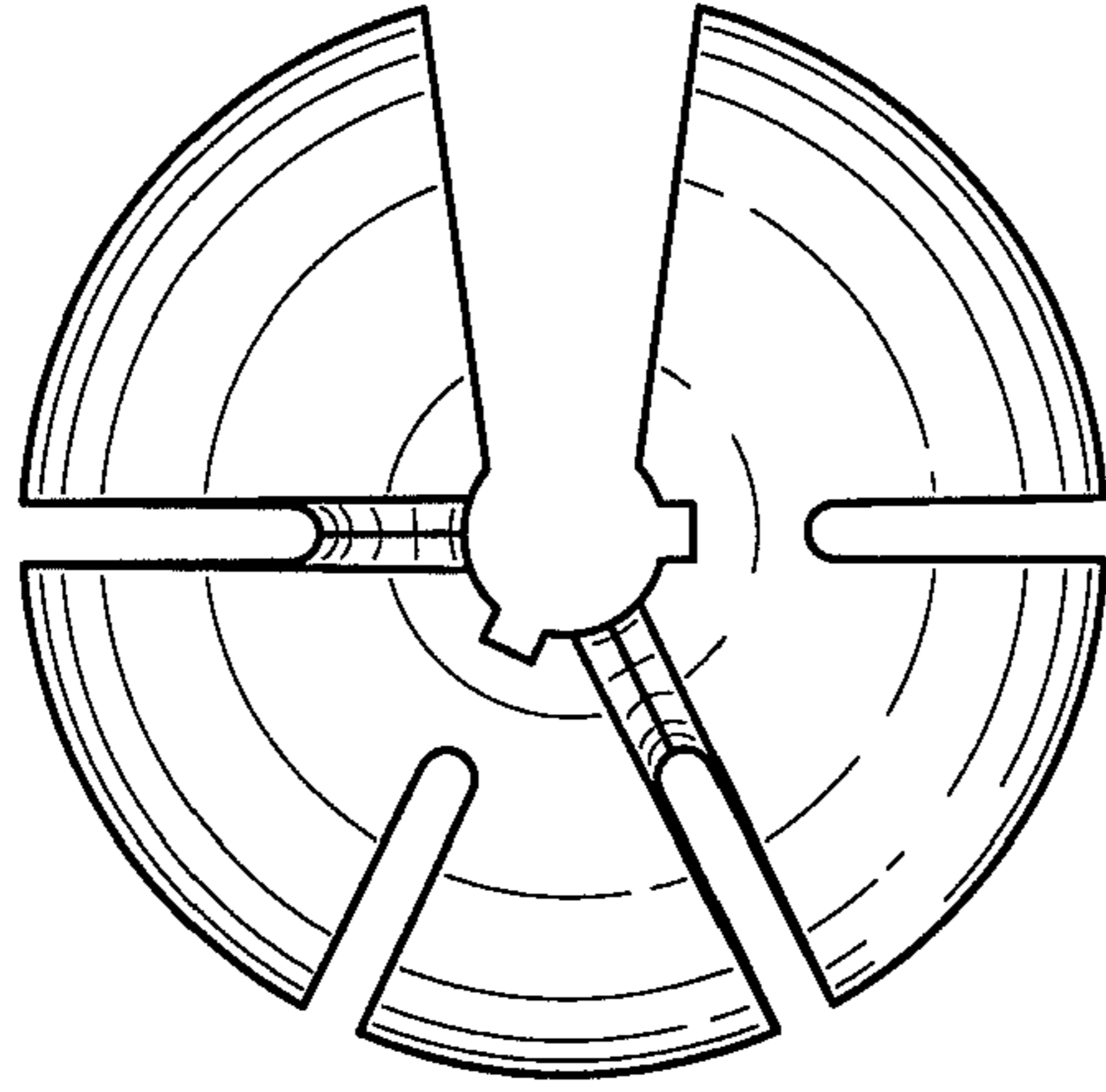


**FIG. 8**

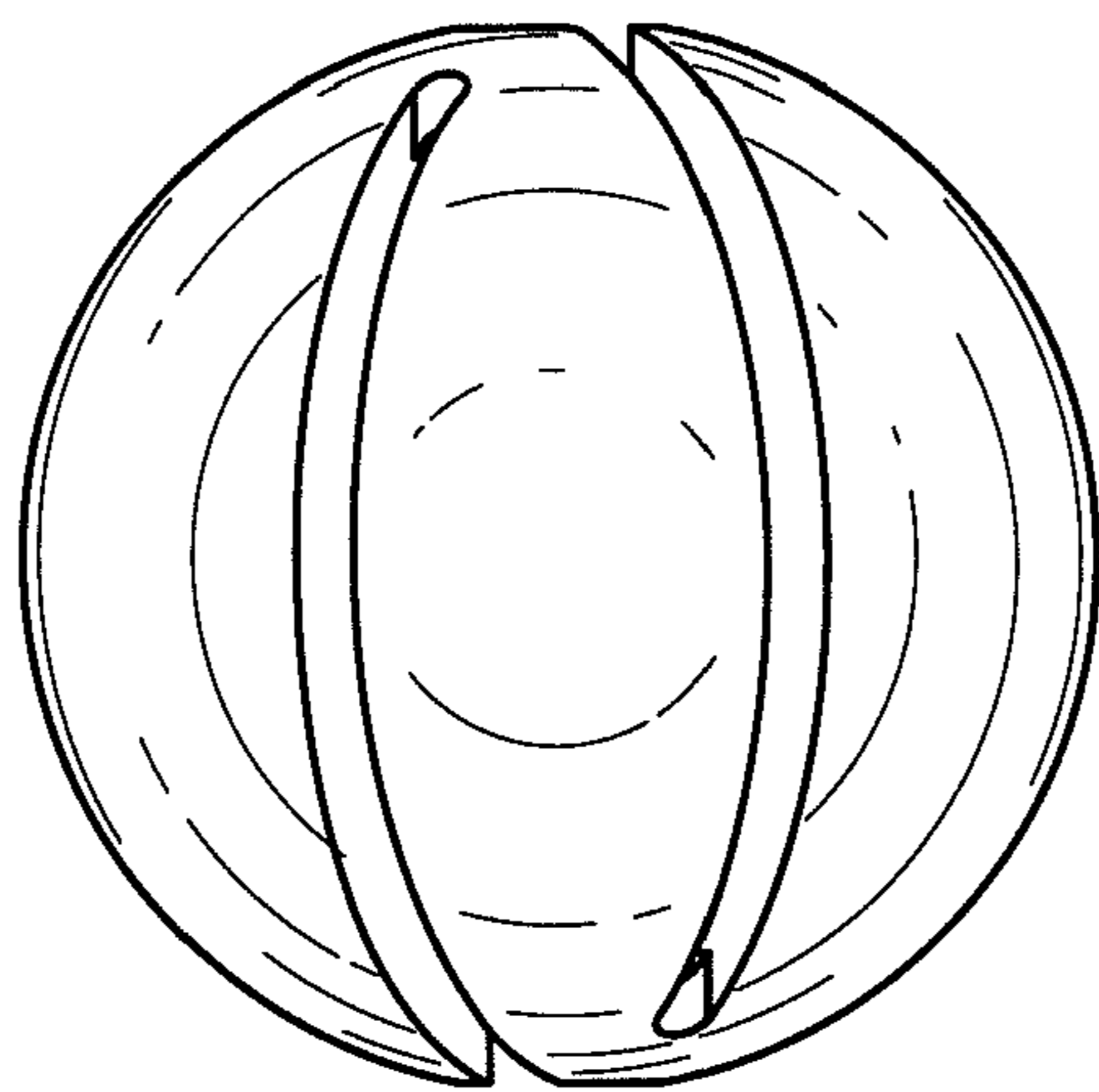


**FIG. 9**





**FIG. 11**



**FIG. 10**