



US00D618795S

(12) **United States Design Patent**  
**Nguyen**

(10) **Patent No.:** **US D618,795 S**  
(45) **Date of Patent:** **\*\* Jun. 29, 2010**

(54) **DENTAL ACCESSORY DEVICE**

(76) Inventor: **Duc H. Nguyen**, 7518 Garden Ter., San Diego, CA (US) 92127

(\*\*) Term: **14 Years**

(21) Appl. No.: **29/337,529**

(22) Filed: **May 23, 2009**

**Related U.S. Application Data**

(63) Continuation-in-part of application No. 11/380,747, filed on Apr. 28, 2006, now abandoned.

(51) **LOC (9) Cl.** ..... **24-02**

(52) **U.S. Cl.** ..... **D24/139; D24/152**

(58) **Field of Classification Search** ..... D24/121, D24/221, 176, 177, 227, 230, 133, 134, 135, D24/136, 137, 138, 139, 140, 141, 142, 143, D24/146, 150, 152, 144, 145, 147, 148, 149, D24/151, 153, 154, 127, 128, 129, 130, 107-108, D24/112, 111, 200; D23/233, 235; D8/40, D8/47, 57, 60, 67, 68, 69, 80, 82, 83, 84, D8/93, 94, 97, 107, 72, 73, 74, 52, 56; 600/101, 600/104, 105, 106, 109, 112, 131, 135, 160, 600/162, 215, 225, 431, 564, 568; 606/129, 606/186; 81/9.22; 604/48; 433/163; 206/63.5  
See application file for complete search history.

(56) **References Cited**

**U.S. PATENT DOCUMENTS**

2,627,206	A *	2/1953	Clark	359/882
2,970,379	A	2/1961	Hardgrove	
2,984,909	A *	5/1961	Johnston	433/30
D193,428	S *	8/1962	Butler	D24/139
3,376,644	A *	4/1968	Clark	433/31
3,829,199	A *	8/1974	Brown	359/882
4,252,522	A *	2/1981	Petty et al.	433/30
4,306,862	A	12/1981	Knox	
D273,985	S *	5/1984	Schulstad	D24/227
D277,781	S	2/1985	Weissenburger	
D293,820	S *	1/1988	Guth et al.	D24/230
D300,850	S *	4/1989	Brewer	D24/139

4,901,847	A	2/1990	Kesling	
4,955,477	A *	9/1990	Bruno	206/366
D319,873	S *	9/1991	Rouse	D24/147
D322,670	S *	12/1991	Haug et al.	D24/114
5,106,297	A *	4/1992	Discko, Jr.	433/77
5,139,421	A *	8/1992	Verderber	433/31
5,173,273	A *	12/1992	Brewer	422/300
5,226,892	A	7/1993	Boswell	
5,249,963	A *	10/1993	McGarrigle	433/163
5,358,112	A	10/1994	Gardner	
5,368,482	A	11/1994	Johnsen et al.	
D354,136	S *	1/1995	Phelps et al.	D24/177

(Continued)

*Primary Examiner*—Jeffrey D Asch  
*Assistant Examiner*—Bridget L Eland  
(74) *Attorney, Agent, or Firm*—Patric J. Rawlins; Procopio Cory Hargreaves & Savitch LLP

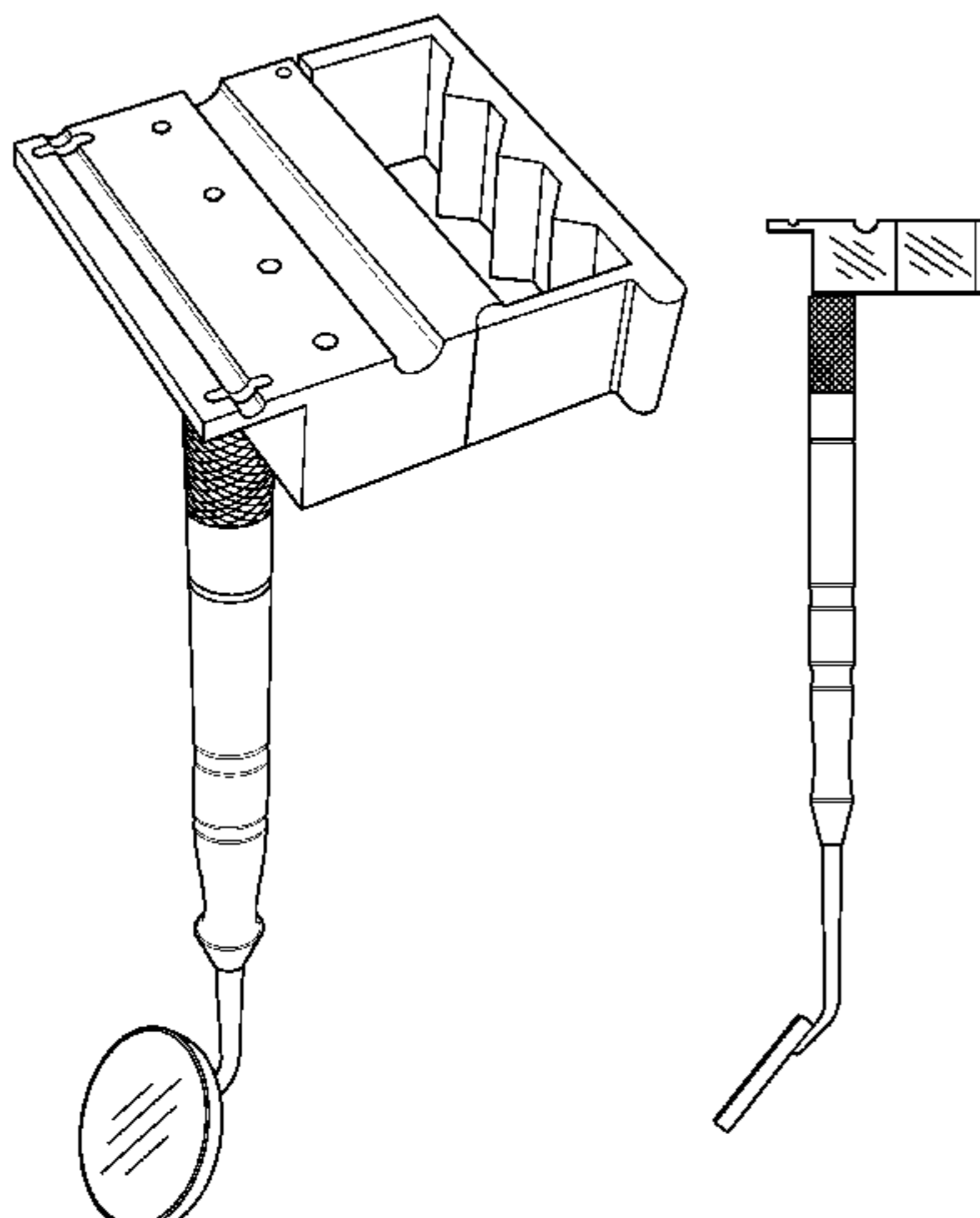
(57) **CLAIM**

The ornamental design for a dental accessory device, as shown and described.

**DESCRIPTION**

FIG. 1 is a perspective view of a dental accessory device showing my new design;  
FIG. 2 is a front elevation view thereof.  
FIG. 3 is a left-side elevation view thereof.  
FIG. 4 is a bottom plan view thereof.  
FIG. 5 is a rear elevation view thereof.  
FIG. 6 is a right-side elevation view thereof; and,  
FIG. 7 is a top plan view thereof.

**1 Claim, 3 Drawing Sheets**



# US D618,795 S

Page 2

---

## U.S. PATENT DOCUMENTS

D382,641 S *	8/1997	Gore .....	D24/139	6,280,189 B1	8/2001	Muller	
D383,840 S *	9/1997	Grossman .....	D24/121	D468,428 S *	1/2003	Wong .....	D24/139
5,815,894 A	10/1998	Soriano		D482,451 S *	11/2003	Page et al. ....	D24/176
D403,433 S *	12/1998	Linden .....	D24/227	7,331,450 B2 *	2/2008	Discko, Jr. ....	206/63.5
6,036,490 A	3/2000	Johnsen et al.		D605,296 S *	12/2009	Hosey et al. ....	D24/177
D436,666 S	1/2001	Hammerlund		2004/0068820 A1	4/2004	Johnsen et al.	
D444,567 S *	7/2001	Tang .....	D24/221	2004/0139642 A1	7/2004	Johnsen et al.	
6,257,888 B1	7/2001	Barham		2007/0254264 A1 *	11/2007	Nguyen .....	433/163

\* cited by examiner

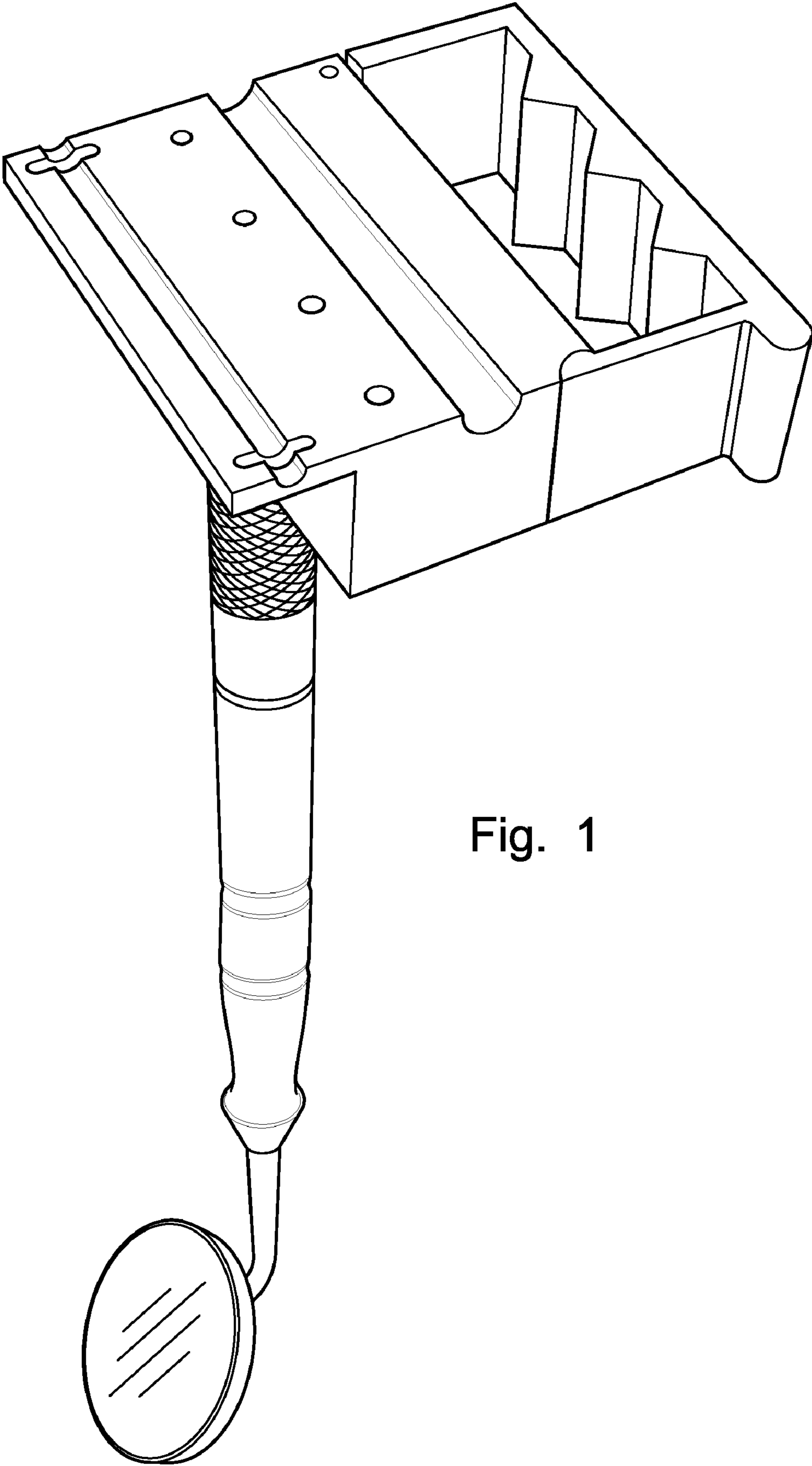


Fig. 1

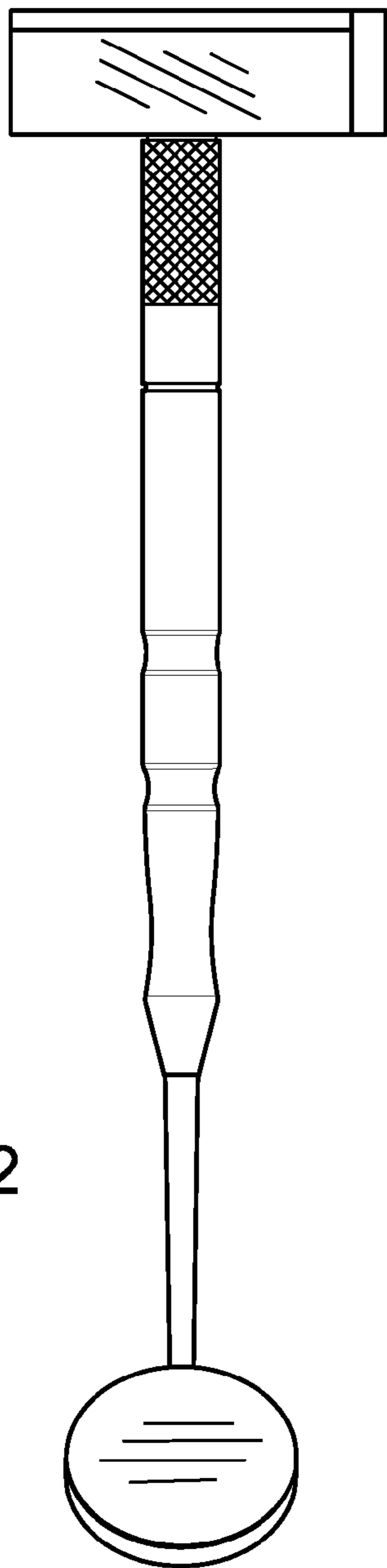


Fig. 2

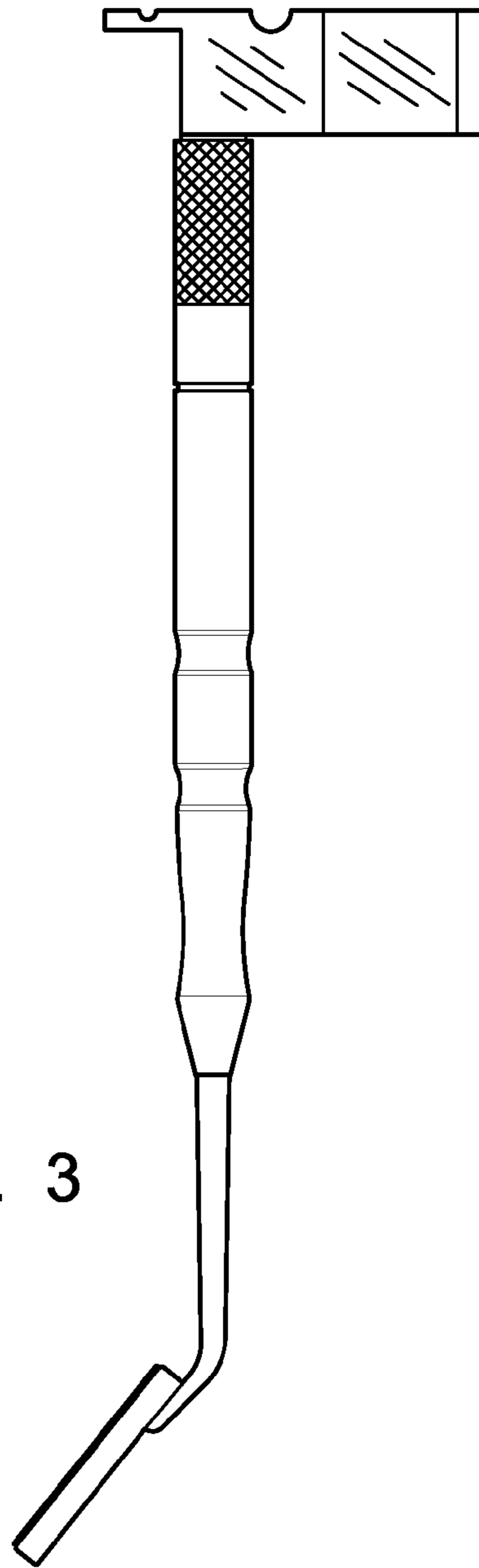


Fig. 3

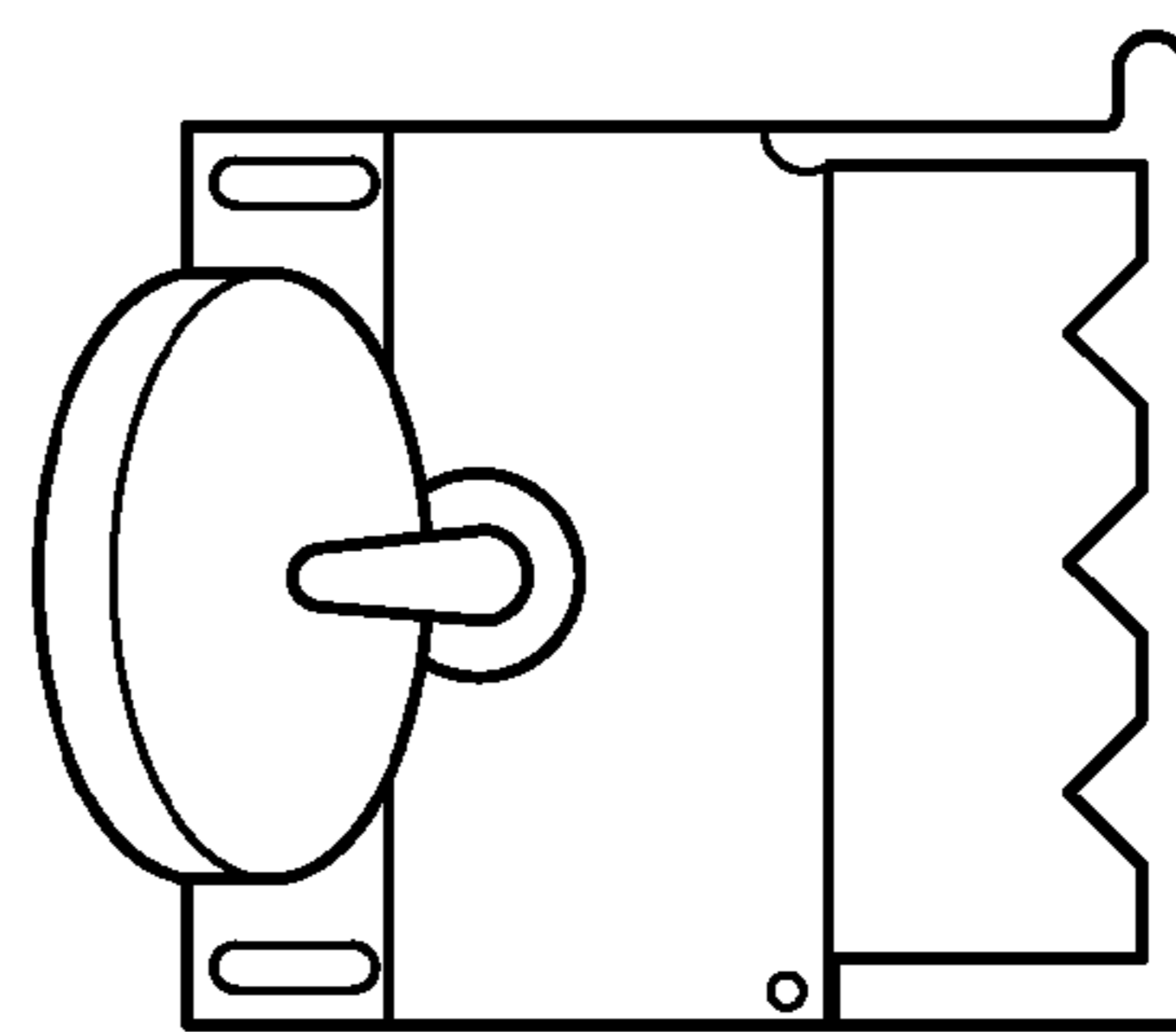


Fig. 4

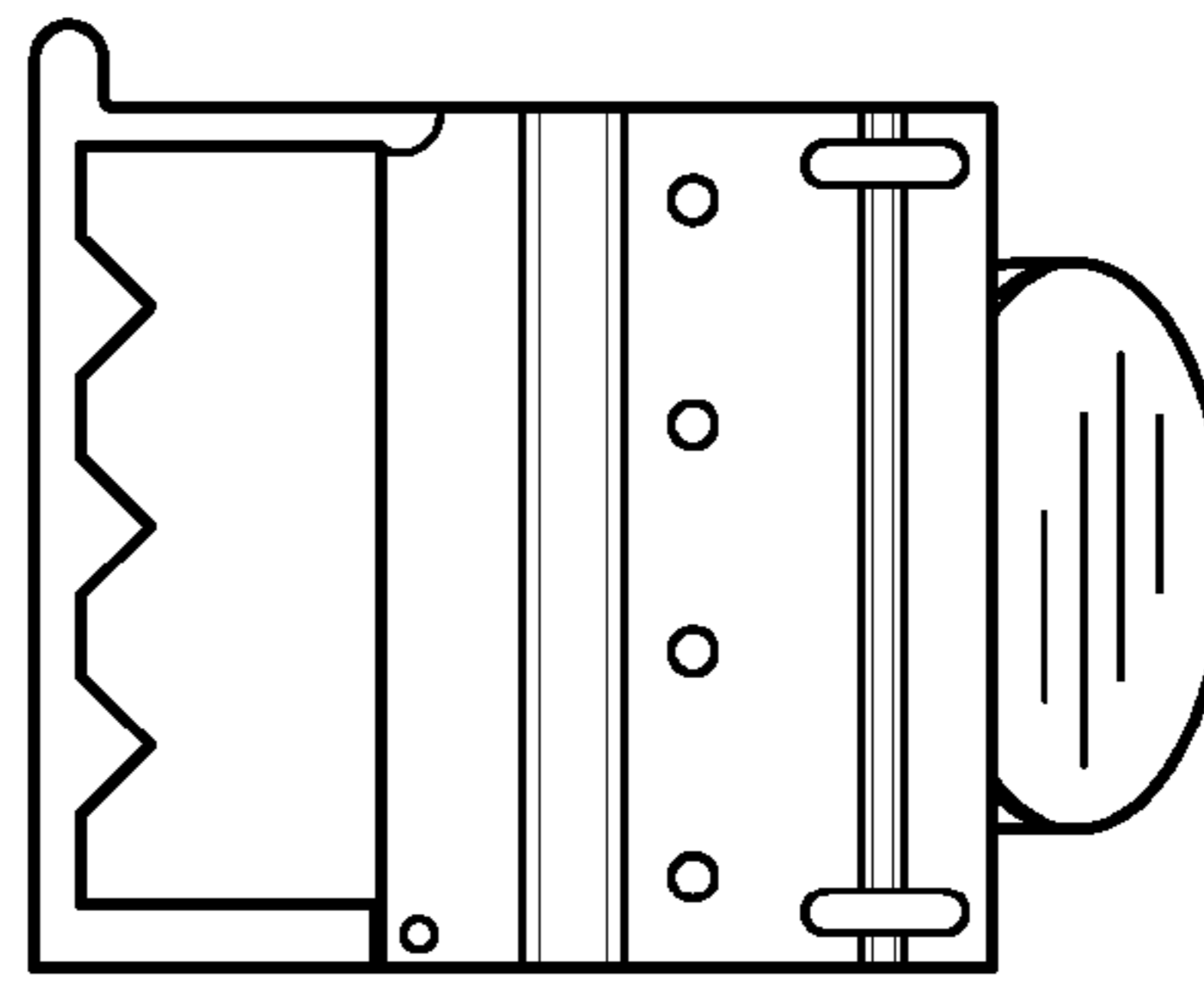


Fig. 7

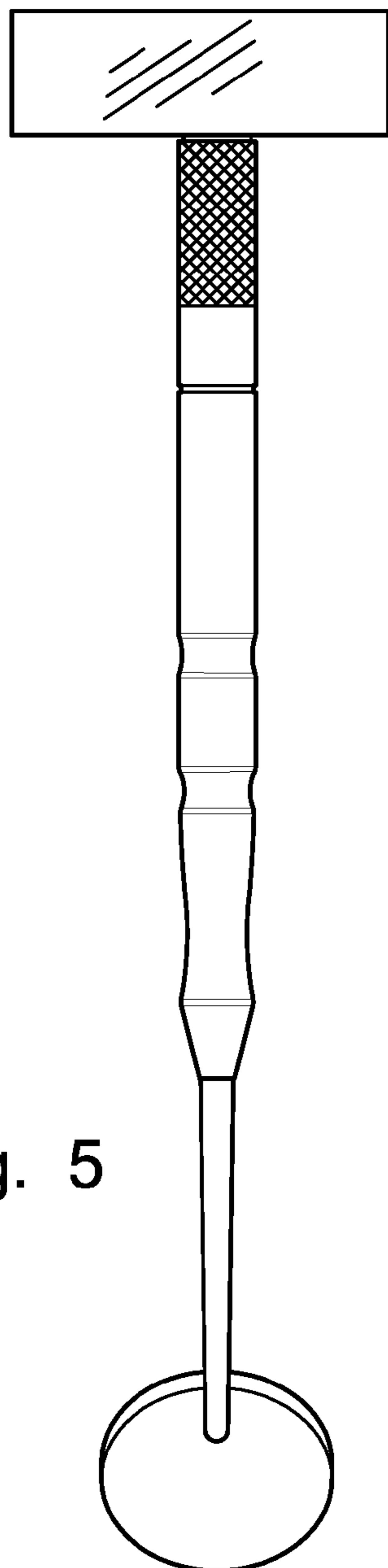


Fig. 5

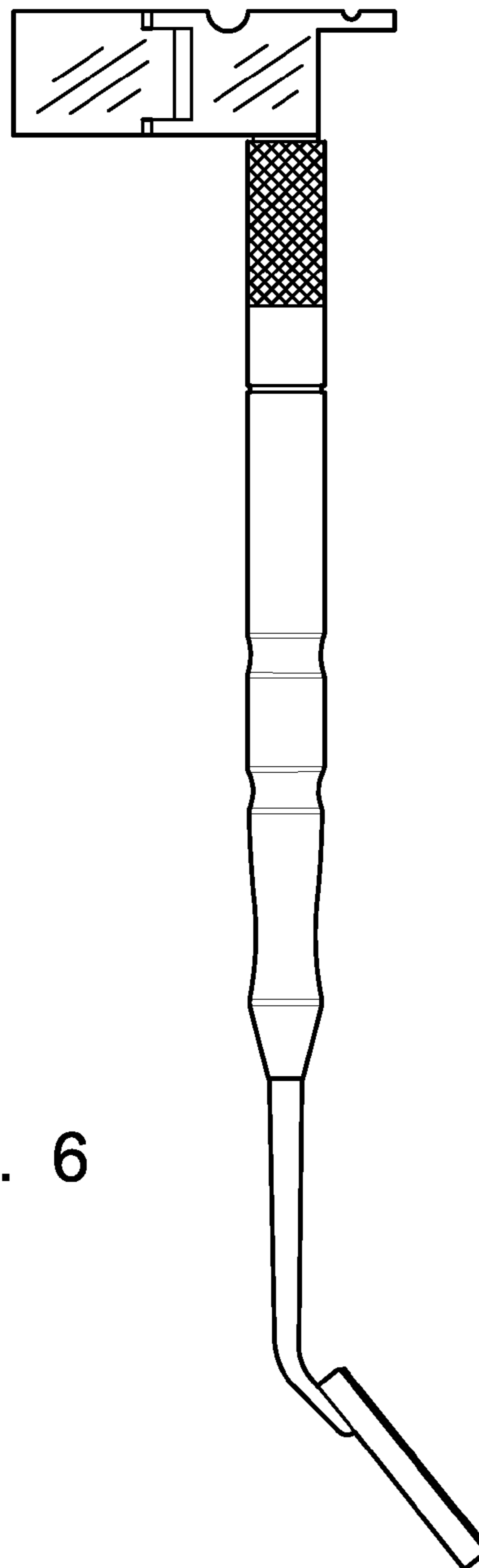


Fig. 6