



US00D618794S

(12) **United States Design Patent**
Onuma

(10) **Patent No.:** **US D618,794 S**

(45) **Date of Patent:** **** Jun. 29, 2010**

(54) **VIDEO LARYNGOSCOPE**

(75) Inventor: **Koki Onuma**, Tokyo (JP)

(73) Assignee: **PENTAX Corporation**, Tokyo (JP)

(**) Term: **14 Years**

(21) Appl. No.: **29/258,348**

(22) Filed: **Apr. 21, 2006**

(30) **Foreign Application Priority Data**

Oct. 25, 2005	(JP)	2005-031223
Oct. 25, 2005	(JP)	2005-031224
Oct. 25, 2005	(JP)	2005-031227
Oct. 25, 2005	(JP)	2005-031228

(51) **LOC (9) Cl.** **24-02**

(52) **U.S. Cl.** **D24/137**

(58) **Field of Classification Search** D26/137;
D24/137, 135, 136, 138; 600/103, 185, 188-190,
600/193, 197, 199, 130, 121, 178, 109
See application file for complete search history.

(56) **References Cited**

U.S. PATENT DOCUMENTS

4,086,919	A *	5/1978	Bullard	600/188
4,742,819	A *	5/1988	George	600/109
5,200,772	A *	4/1993	Perkins et al.	351/213
5,373,317	A *	12/1994	Salvati et al.	348/65
D358,471	S *	5/1995	Cope et al.	D24/137
D379,514	S *	5/1997	Laun et al.	D24/137
D410,286	S *	5/1999	Tamirisa	D24/138
6,315,712	B1 *	11/2001	Rovegno	600/109
6,652,453	B2 *	11/2003	Smith et al.	600/188
D493,528	S *	7/2004	Roberts et al.	D24/137
D493,887	S *	8/2004	Roberts et al.	D24/137
D530,818	S *	10/2006	Lin	D24/138
D532,026	S *	11/2006	Sosniak et al.	D16/130

D533,939	S *	12/2006	Root et al.	D24/138
7,214,183	B2 *	5/2007	Miyake	600/131
D559,386	S *	1/2008	Pease et al.	D24/138
D560,804	S *	1/2008	Pease et al.	D24/138
7,422,559	B2 *	9/2008	Kehoskie et al.	600/140
D581,051	S *	11/2008	Melder	D24/138
D603,958	S *	11/2009	Schwartz et al.	D24/138
2002/0022769	A1 *	2/2002	Smith et al.	600/188
2003/0195390	A1 *	10/2003	Graumann	600/188
2008/0312507	A1 *	12/2008	Kim	600/188

* cited by examiner

Primary Examiner—Ian Simmons

Assistant Examiner—Carissa C Fitts

(74) *Attorney, Agent, or Firm*—Sughrue Mion, PLLC

(57) **CLAIM**

The ornamental design for a video laryngoscope, as shown and described.

DESCRIPTION

FIG. 1 is a perspective view of the front, top and right side of a video laryngoscope according to an embodiment showing my new design;

FIG. 2 is a perspective view of the rear, bottom and left side thereof;

FIG. 3 is a front view thereof;

FIG. 4 is a rear view thereof;

FIG. 5 is a left side view thereof;

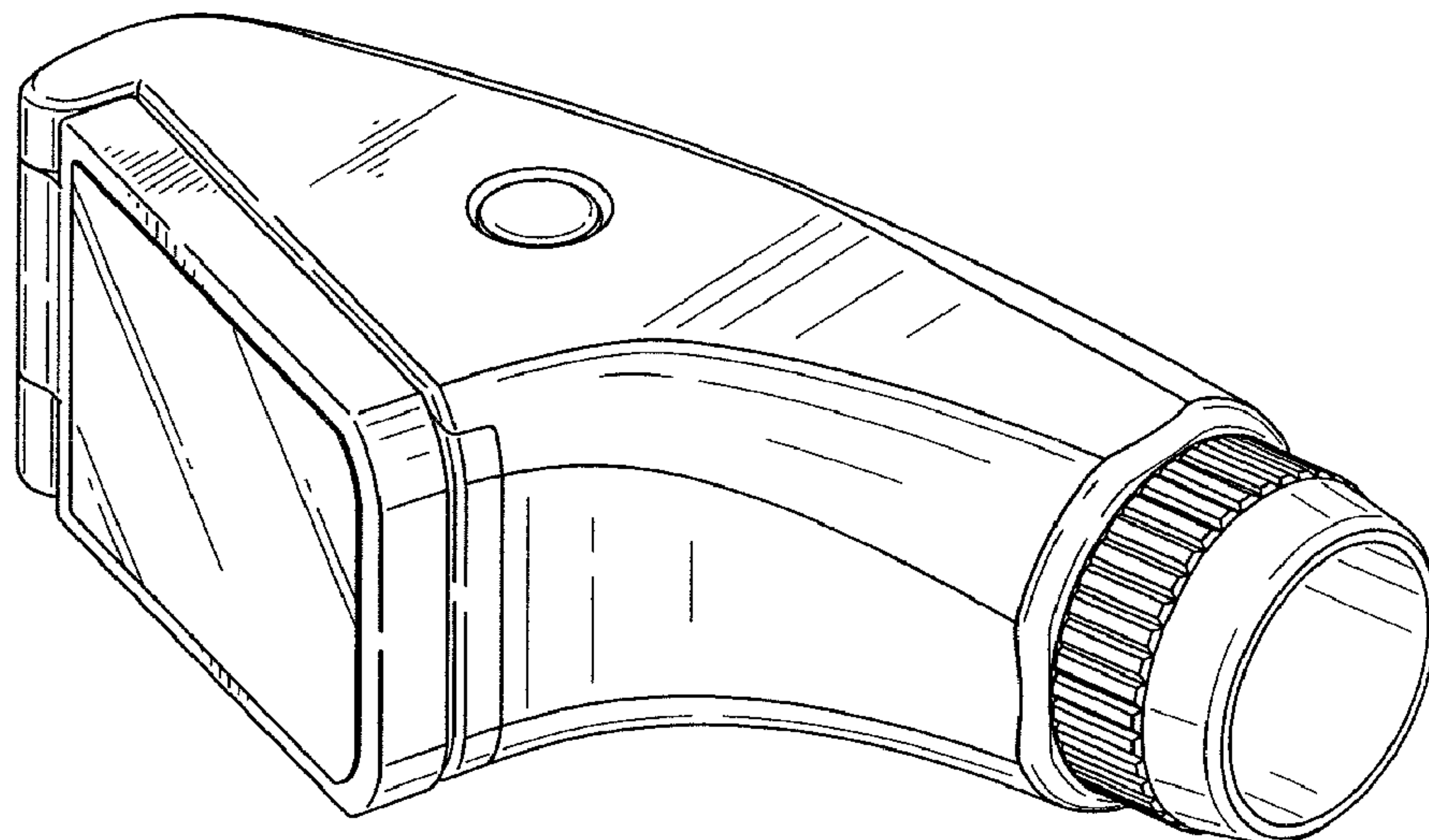
FIG. 6 is a right side view thereof;

FIG. 7 is a top plan view thereof;

FIG. 8 is a bottom view thereof; and,

FIG. 9 is a top plan reference view of the display being opened thereof.

1 Claim, 6 Drawing Sheets



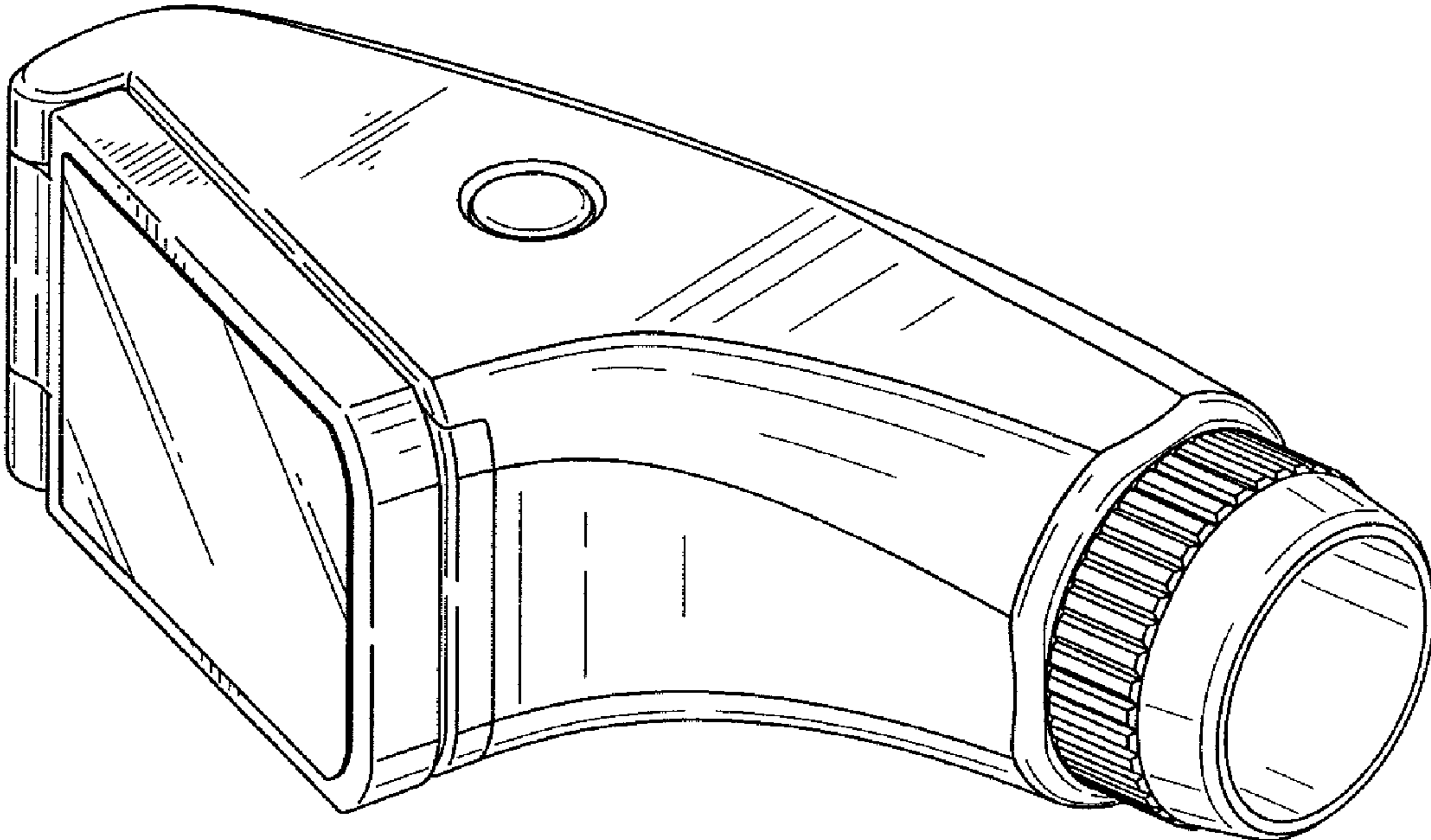


FIG. 1

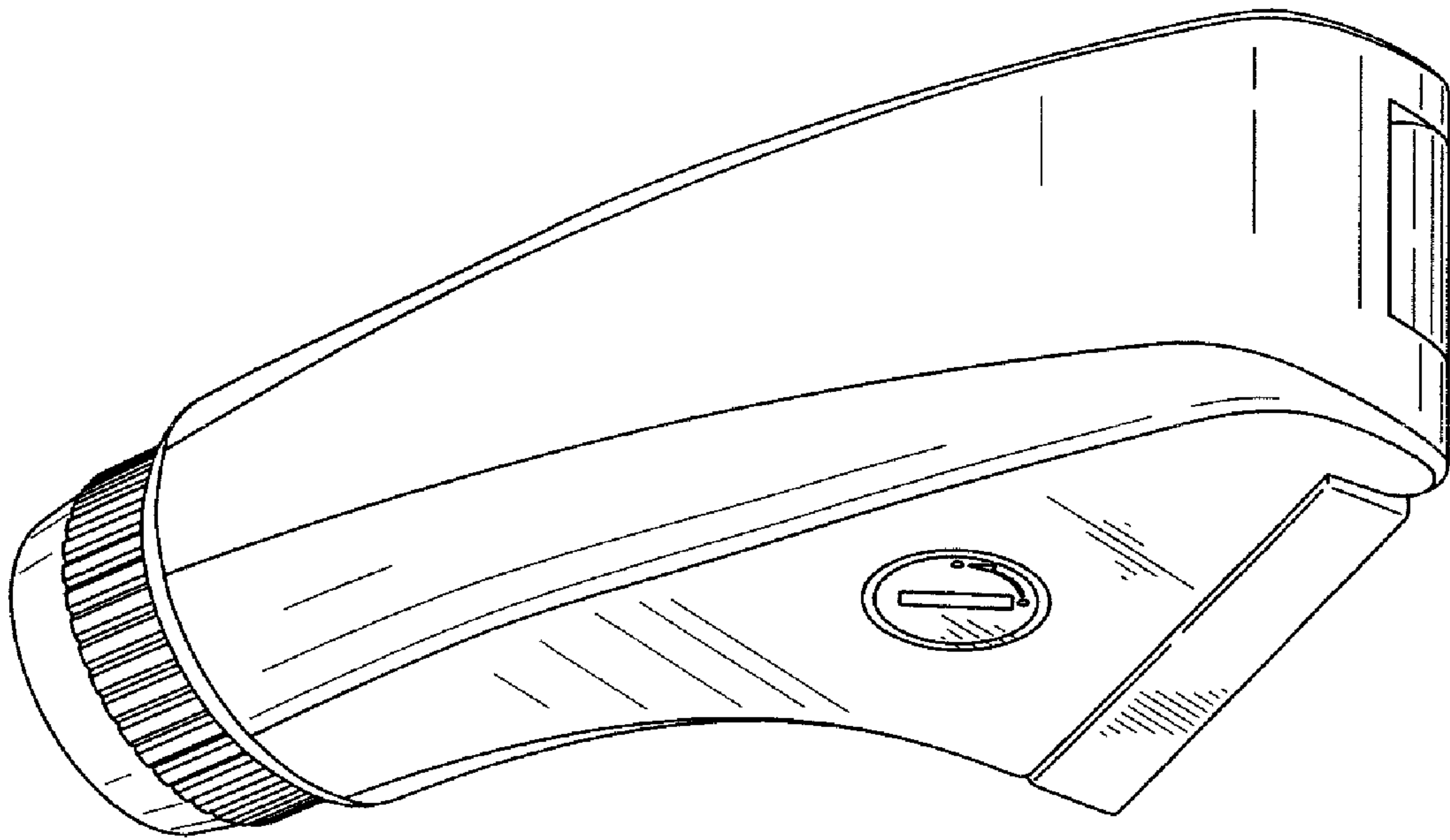


FIG. 2

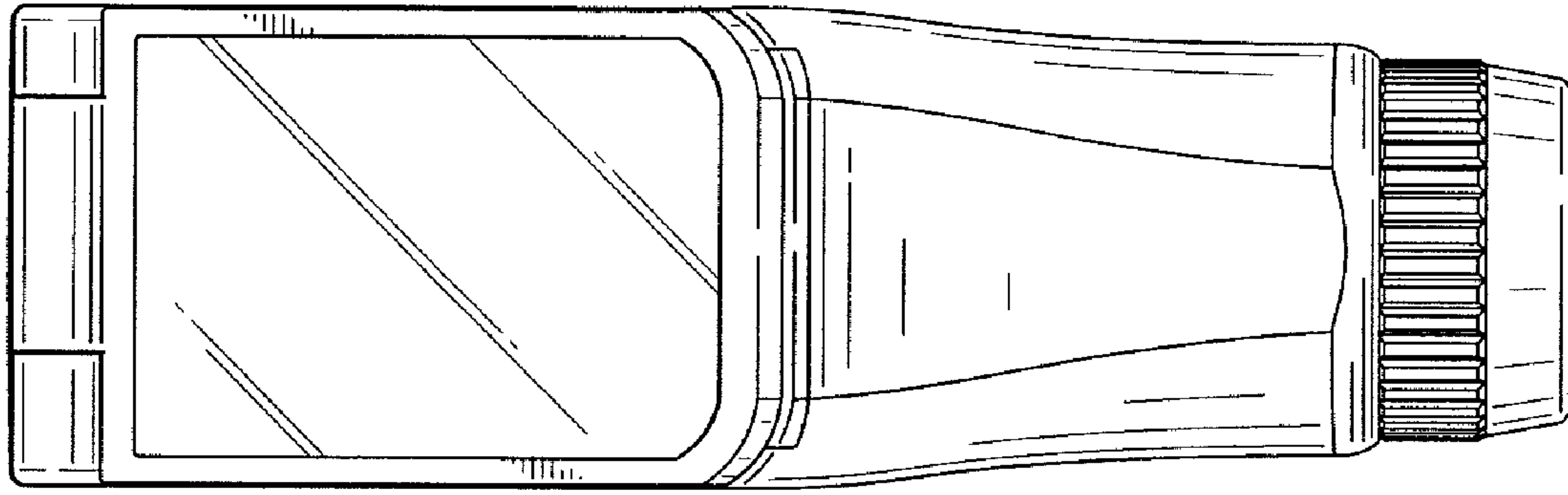


FIG. 3

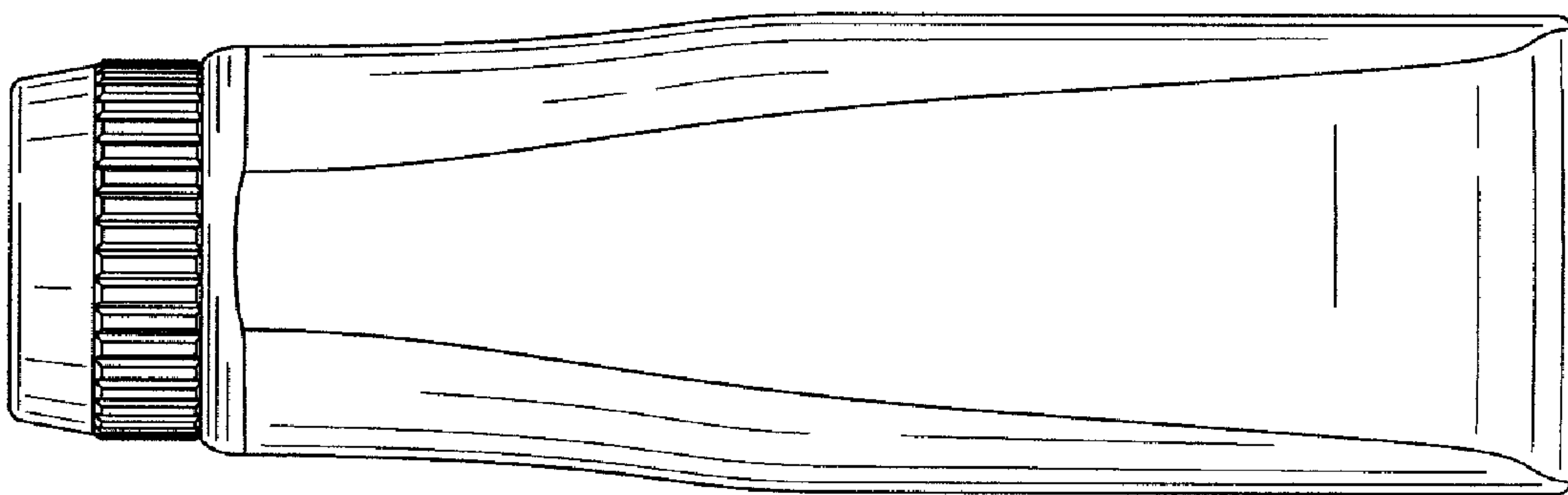


FIG. 4

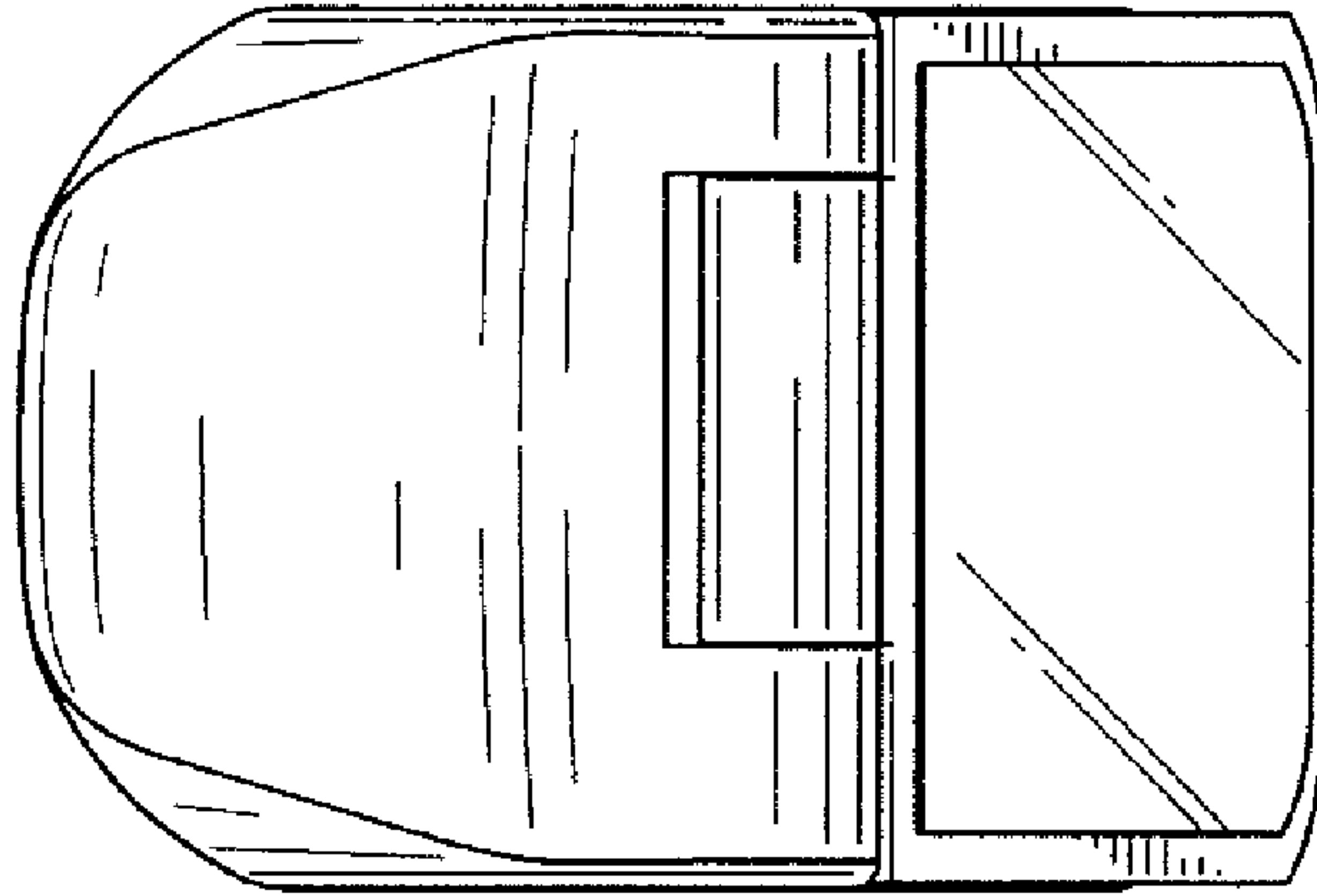


FIG. 5

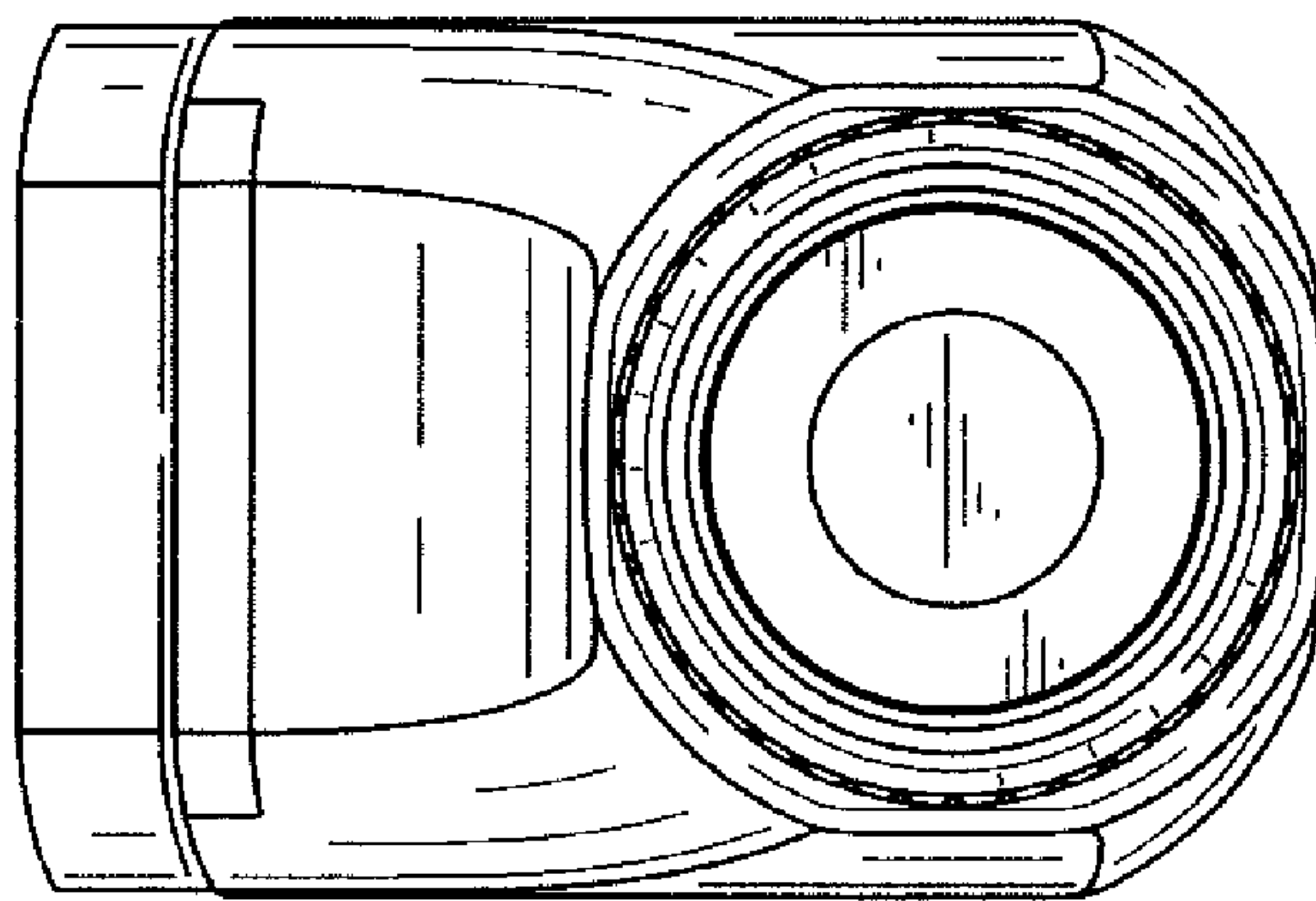


FIG. 6

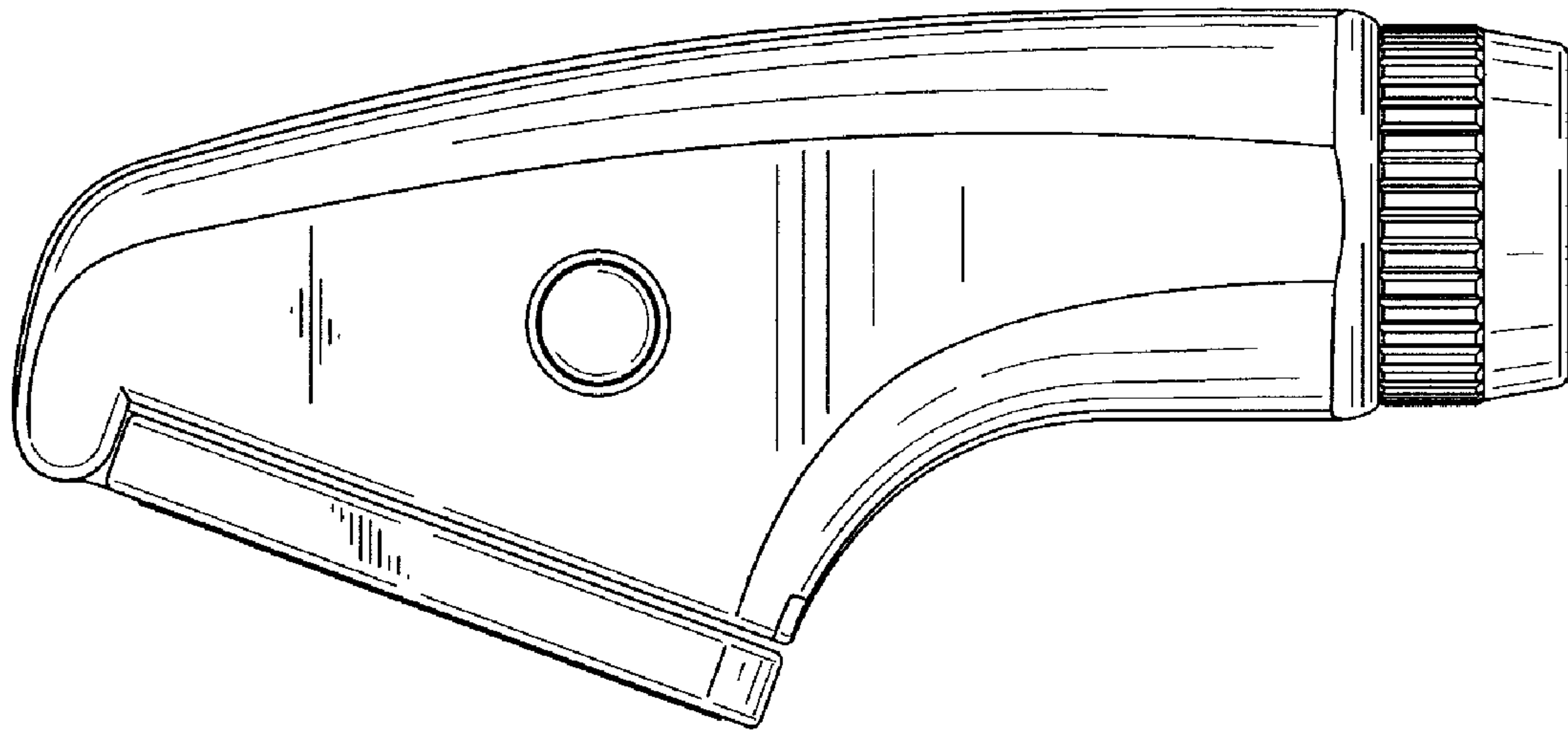


FIG. 7

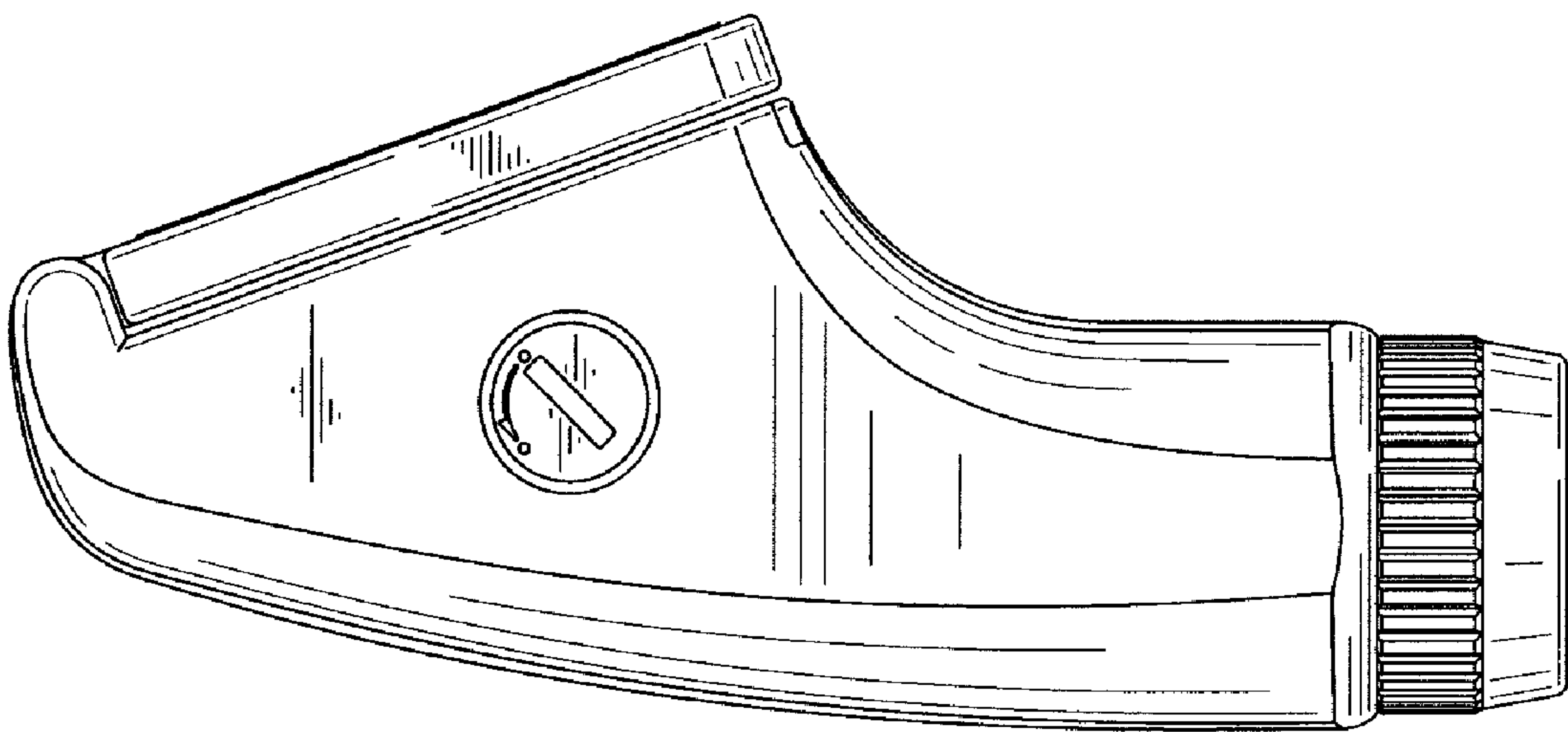


FIG. 8

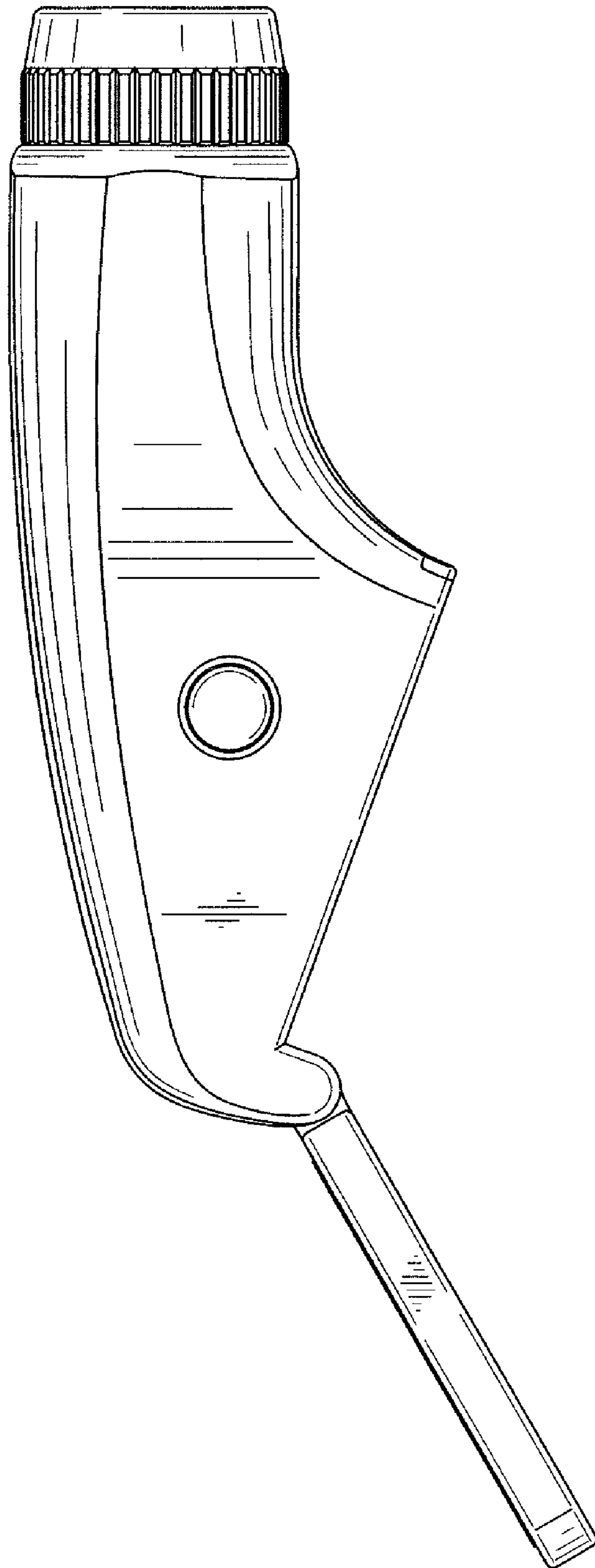


FIG. 9