



US00D618792S

(12) **United States Design Patent**
Bierman

(10) **Patent No.:** **US D618,792 S**
(45) **Date of Patent:** **** Jun. 29, 2010**

(54) **CATHETER RETAINER**

(75) **Inventor:** **Steven F. Bierman**, Del Mar, CA (US)

(73) **Assignee:** **Venetec International, Inc.**, Covington, GA (US)

(**) **Term:** **14 Years**

(21) **Appl. No.:** **29/343,577**

(22) **Filed:** **Sep. 15, 2009**

Related U.S. Application Data

(63) Continuation of application No. 12/252,309, filed on Oct. 15, 2008, which is a continuation of application No. 10/996,870, filed on Nov. 23, 2004, which is a continuation of application No. 10/096,088, filed on Mar. 11, 2002, now Pat. No. 6,827,705, which is a continuation-in-part of application No. 09/809,460, filed on Mar. 15, 2001, now Pat. No. 6,786,892, which is a continuation of application No. 09/069,029, filed on Apr. 27, 1998, now Pat. No. 6,290,676, which is a continuation-in-part of application No. 08/753,277, filed on Nov. 25, 1996, now Pat. No. 5,827,230, which is a continuation of application No. 08/223,948, filed on Apr. 6, 1994, now Pat. No. 5,578,013, which is a continuation-in-part of application No. 08/121,942, filed on Sep. 15, 1993, now Pat. No. 5,456,671, which is a continuation-in-part of application No. 08/034,340, filed on Mar. 19, 1993, now Pat. No. 5,354,282, application No. 29/343,577, and a continuation of application No. 12/252,309, which is a continuation of application No. 10/996,870, which is a continuation of application No. 10/096,088, which is a continuation of application No. 09/165,367, filed on Oct. 2, 1998, now Pat. No. 6,837,875, which is a continuation-in-part of application No. 09/069,029.

(51) **LOC (9) Cl.** **24-02**

(52) **U.S. Cl.** **D24/128**

(58) **Field of Classification Search** D24/127-130,
D24/189; 604/179-180, 187, 227; 602/58-59;
128/DIG. 26

See application file for complete search history.

(56) **References Cited**

U.S. PATENT DOCUMENTS

4,921,199	A *	5/1990	Villaveces	248/314
D338,728	S *	8/1993	Russell	D24/130
D347,060	S *	5/1994	Bierman	D24/128
5,354,282	A *	10/1994	Bierman	604/180
5,456,671	A *	10/1995	Bierman	604/180
5,578,013	A *	11/1996	Bierman	604/180
D377,831	S *	2/1997	Bierman	D24/127
5,702,371	A *	12/1997	Bierman	604/180
5,800,402	A *	9/1998	Bierman	604/180
5,810,781	A *	9/1998	Bierman	604/174
5,833,667	A *	11/1998	Bierman	604/180
5,947,931	A *	9/1999	Bierman	604/180
6,290,676	B1 *	9/2001	Bierman	604/174

(Continued)

Primary Examiner—T. Chase Nelson
Assistant Examiner—Eric L Goodman
(74) *Attorney, Agent, or Firm*—Knobbe Martens Olson & Bear, LLP

(57) **CLAIM**

The ornamental design for a catheter retainer, as shown and described.

DESCRIPTION

FIG. 1 is a perspective view of a catheter retainer configured in accordance with the present invention;

FIG. 2 is a top view thereof;

FIG. 3 is a bottom view thereof;

FIG. 4 is a front view thereof;

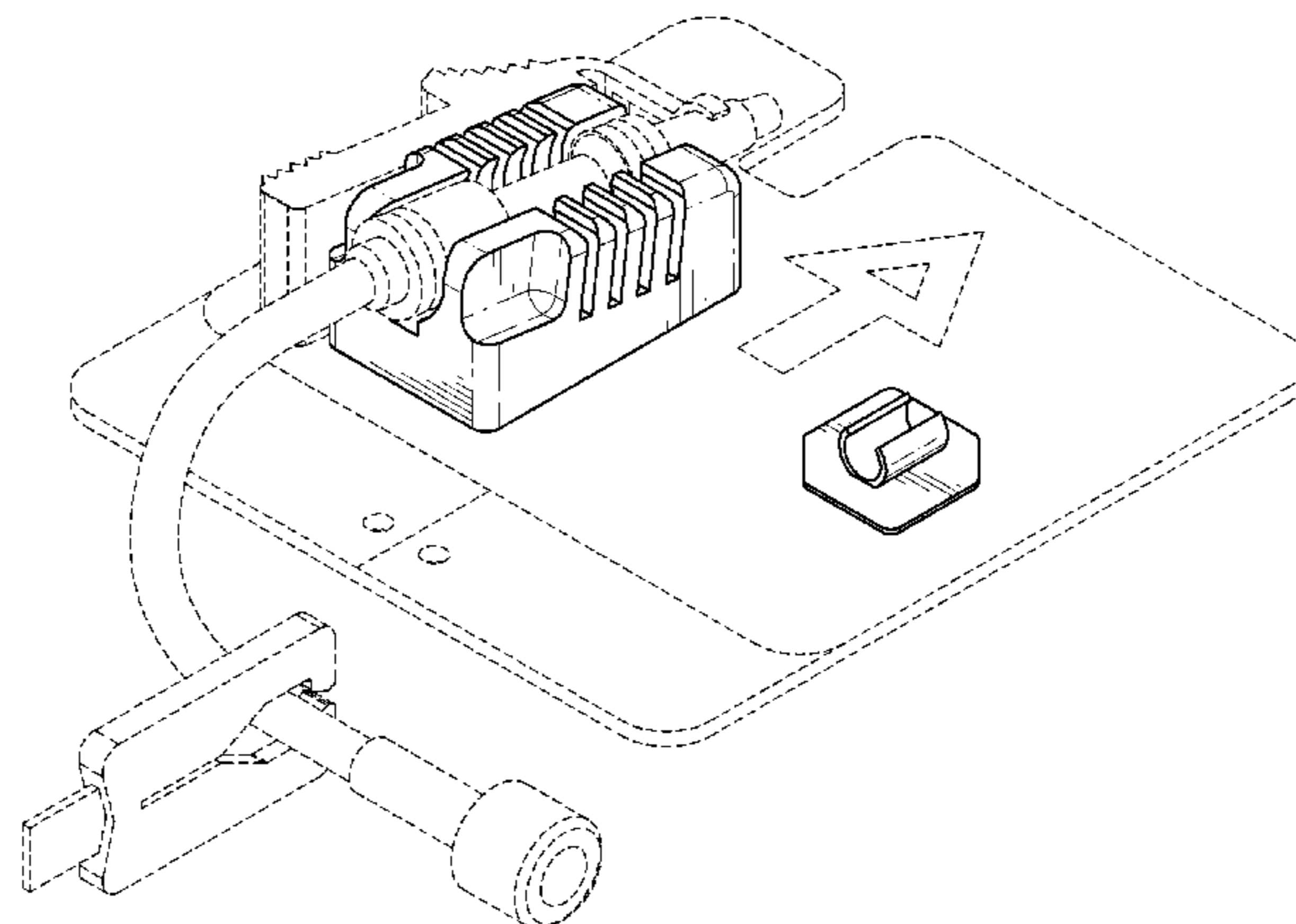
FIG. 5 is a rear view thereof;

FIG. 6 is a left side view thereof; and,

FIG. 7 is a right side view thereof.

The broken line showing is included for the purpose of illustrating portions of the catheter retainer and forms no part of the claimed design.

1 Claim, 5 Drawing Sheets



US D618,792 S

Page 2

U.S. PATENT DOCUMENTS					
		2001/0011164	A1*	8/2001	Bierman 604/180
		2005/0075610	A1*	4/2005	Bierman 604/180
6,786,892	B2*	9/2004	Bierman	 604/180
6,827,705	B2*	12/2004	Bierman	 604/180
6,837,875	B1*	1/2005	Bierman	 604/180
D555,788	S*	11/2007	Southwell et al.	 D24/128
7,316,679	B2*	1/2008	Bierman	 604/535
					* cited by examiner

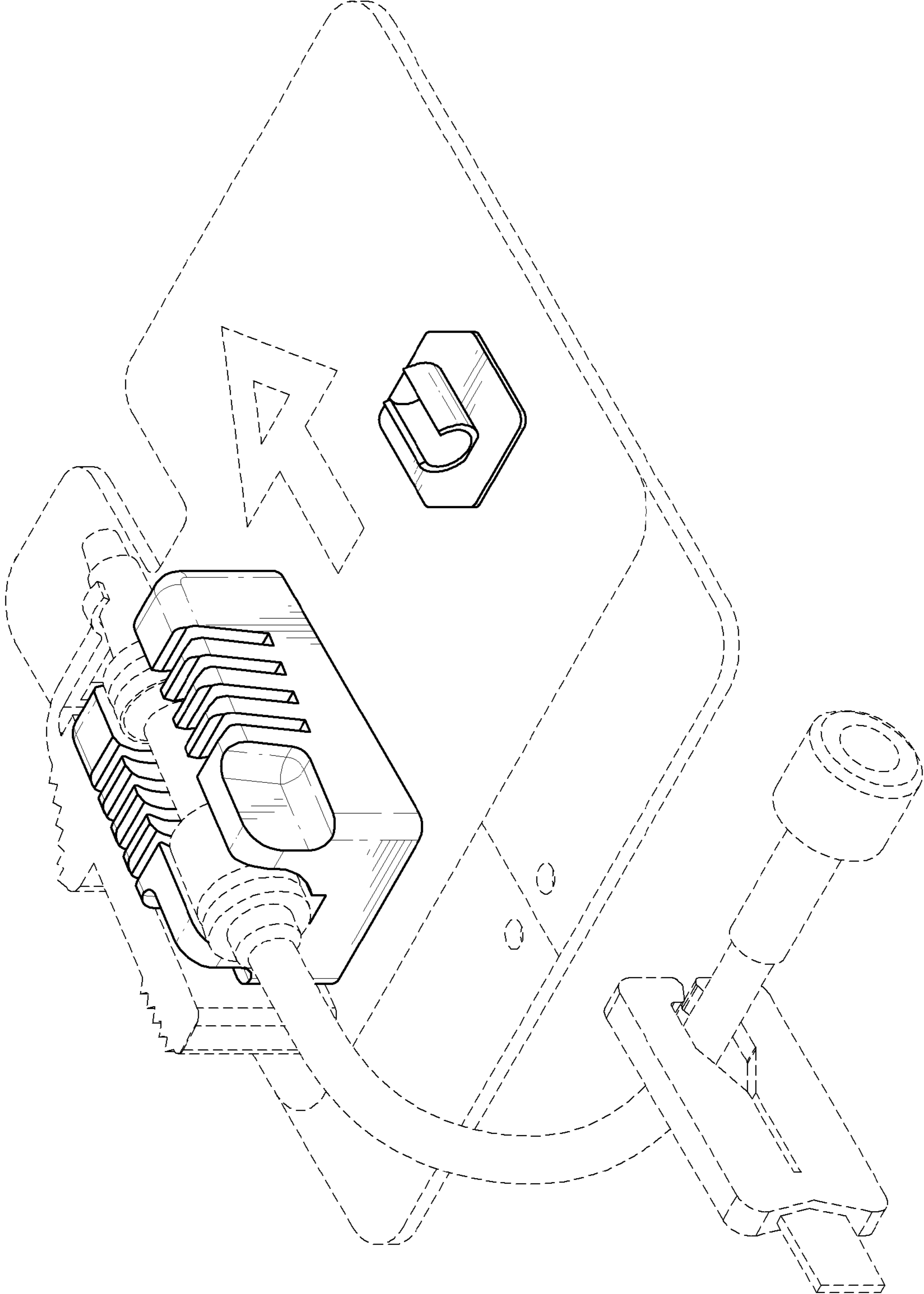


FIG. 1

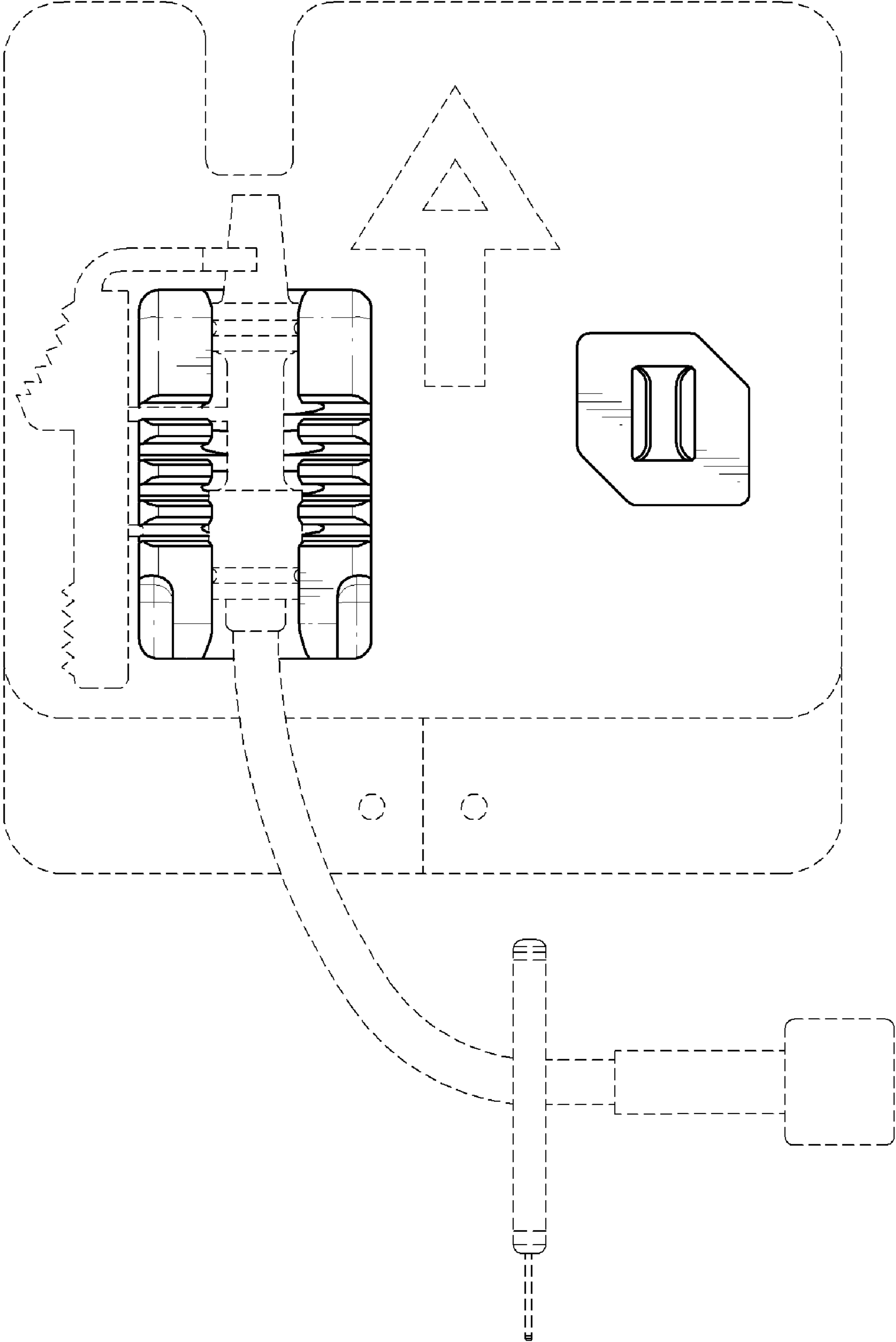


FIG. 2

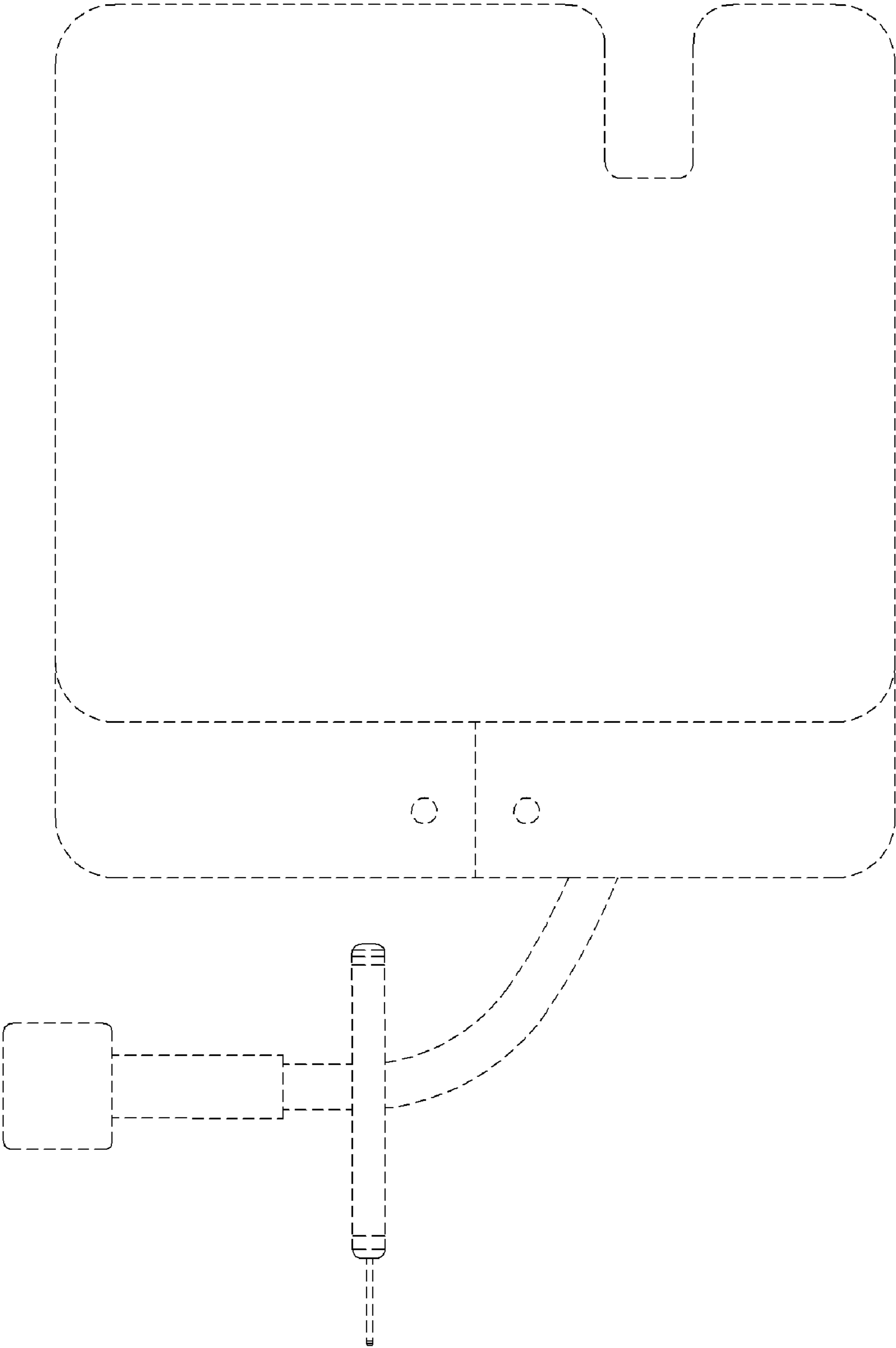


FIG. 3

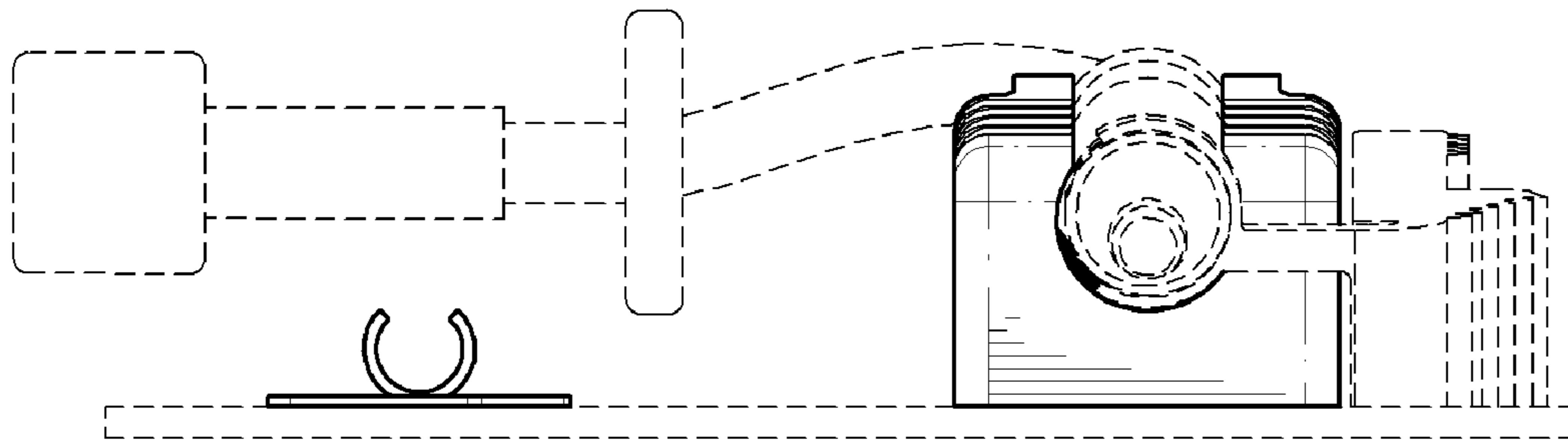


FIG. 4

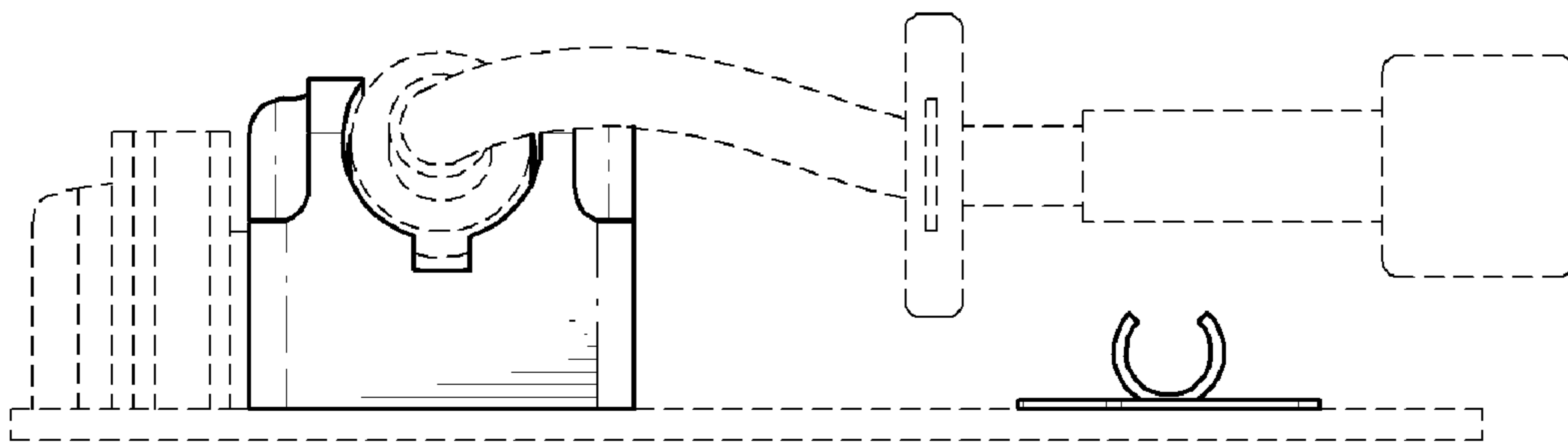


FIG. 5

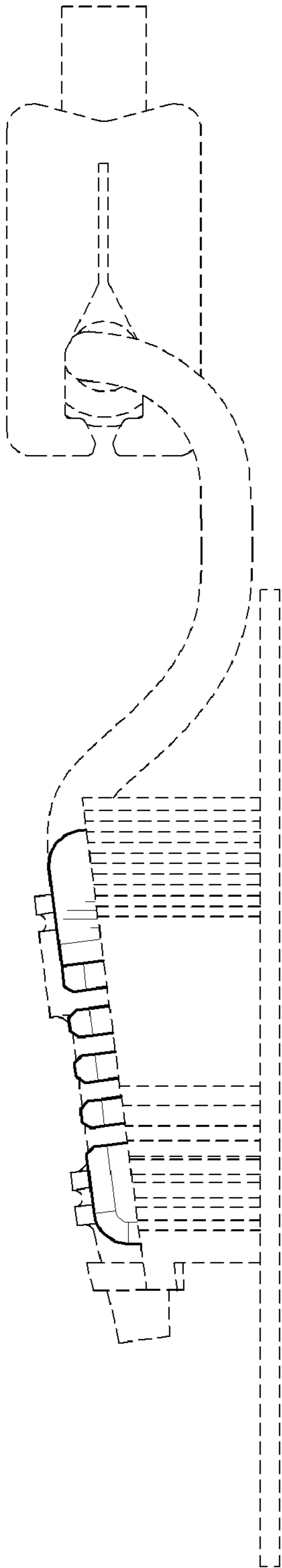


FIG. 6

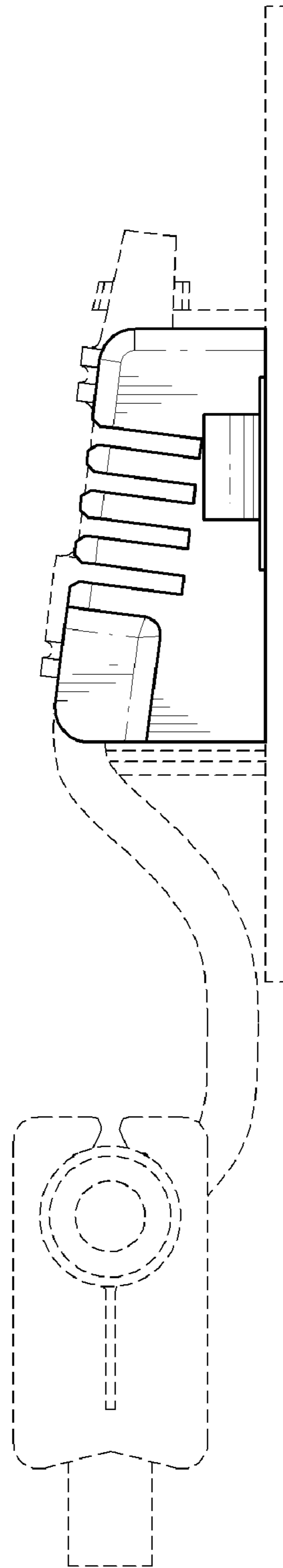


FIG. 7