



US00D618788S

(12) **United States Design Patent**  
**Dubach**

(10) **Patent No.:** **US D618,788 S**  
(45) **Date of Patent:** **\*\* Jun. 29, 2010**

(54) **LARYNGEAL MASK**

(75) Inventor: **Werner F. Dubach**, Maur (CH)

(73) Assignee: **Deltona Innovations AG**, Maur (CH)

(\*\*) Term: **14 Years**

(21) Appl. No.: **29/337,664**

(22) Filed: **May 27, 2009**

(30) **Foreign Application Priority Data**

Nov. 27, 2008 (WO) ..... DM/071191

(51) **LOC (9) Cl.** ..... **29-02**

(52) **U.S. Cl.** ..... **D24/110.5**

(58) **Field of Classification Search** ..... D24/110,  
D24/110.1, 110.4, 110.5; 128/207.14, 207.15,  
128/200.26

See application file for complete search history.

(56) **References Cited**

**U.S. PATENT DOCUMENTS**

D429,811 S *	8/2000	Bermudez	.....	D24/110.5
7,004,169 B2 *	2/2006	Brain	.....	128/207.14
D518,572 S *	4/2006	Nasir	.....	D24/110.5
7,134,431 B2 *	11/2006	Brain	.....	128/200.26
7,305,985 B2 *	12/2007	Brain	.....	128/200.26

2006/0207601 A1 *	9/2006	Nasir	.....	128/207.14
2007/0028923 A1 *	2/2007	Souris et al.	.....	128/207.15
2008/0308109 A1 *	12/2008	Brain	.....	128/207.14
2009/0090358 A1 *	4/2009	Chen	.....	128/200.26

\* cited by examiner

*Primary Examiner*—Ian Simmons

*Assistant Examiner*—Christopher Lee

(74) *Attorney, Agent, or Firm*—Janet Sleath; Speckman Law Group PLLC

(57) **CLAIM**

The ornamental design for a laryngeal mask, as shown and described.

**DESCRIPTION**

FIG. 1 is a bottom view of a laryngeal mask showing my new design;

FIG. 2 is a right side view thereof;

FIG. 3 is a top view thereof;

FIG. 4 is a left side view thereof;

FIG. 5 is a front view thereof; and

FIG. 6 is a rear view thereof; and,

FIG. 7 is a top perspective view thereof.

**1 Claim, 1 Drawing Sheet**

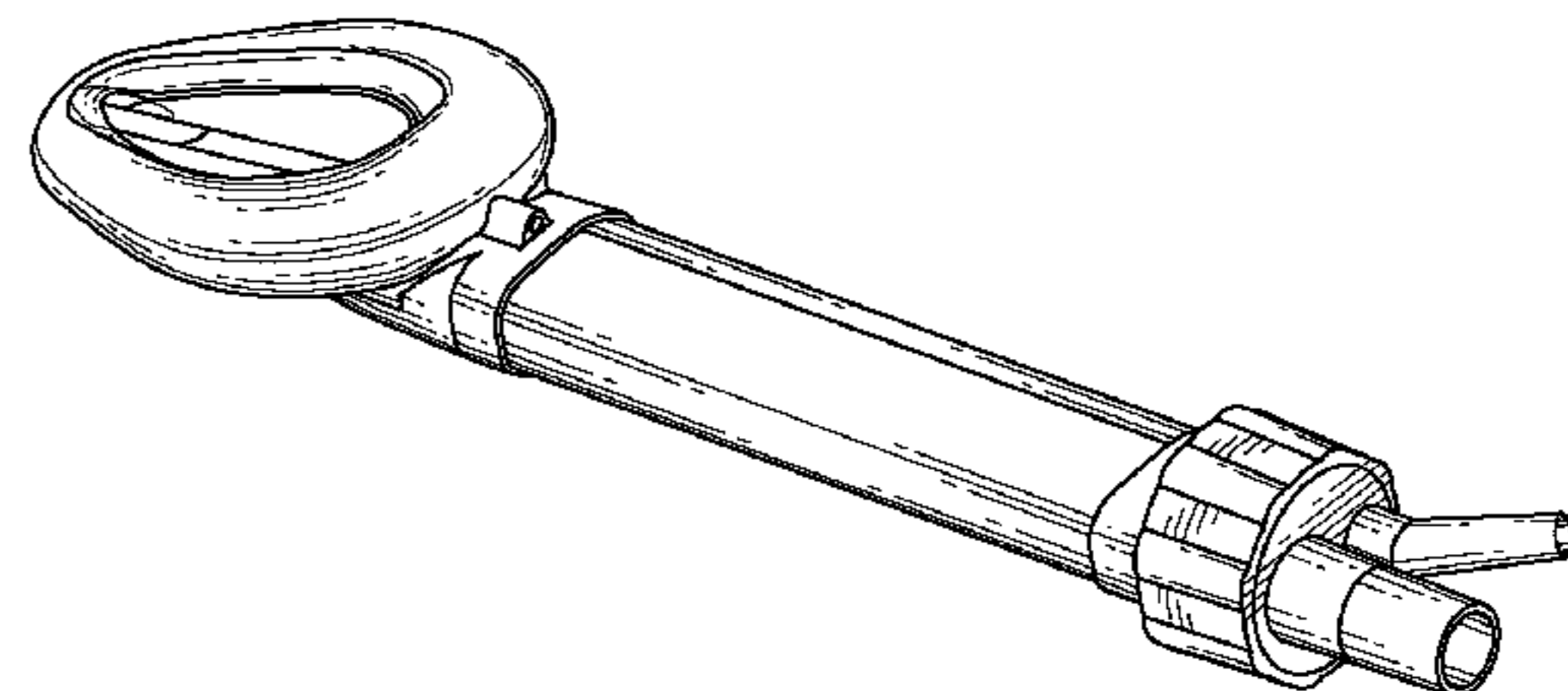
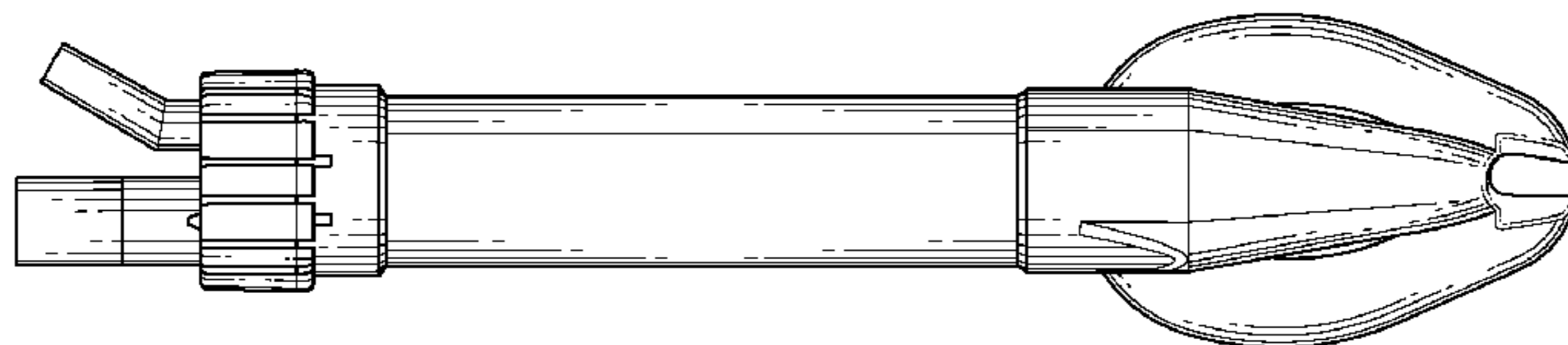


FIG. 1

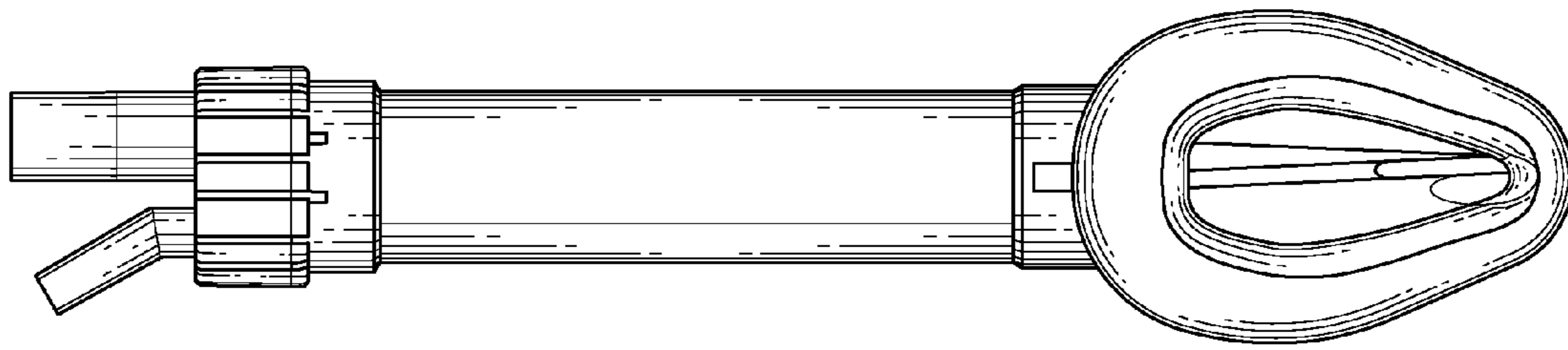


FIG. 2

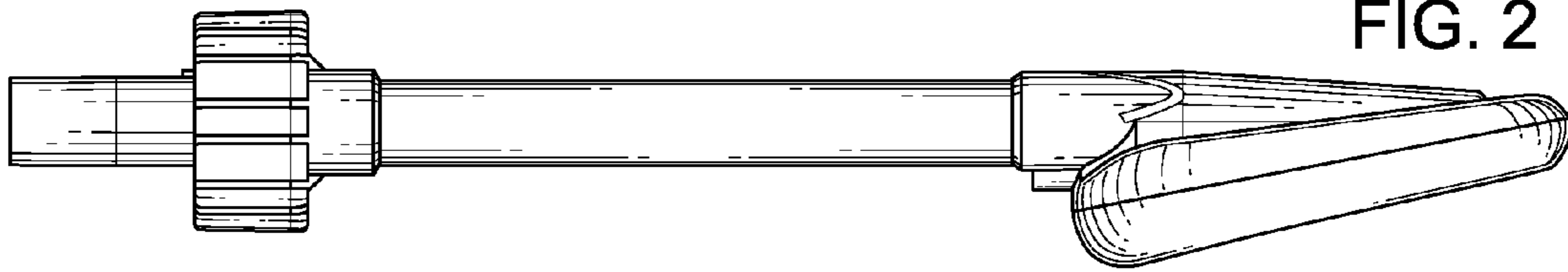


FIG. 3

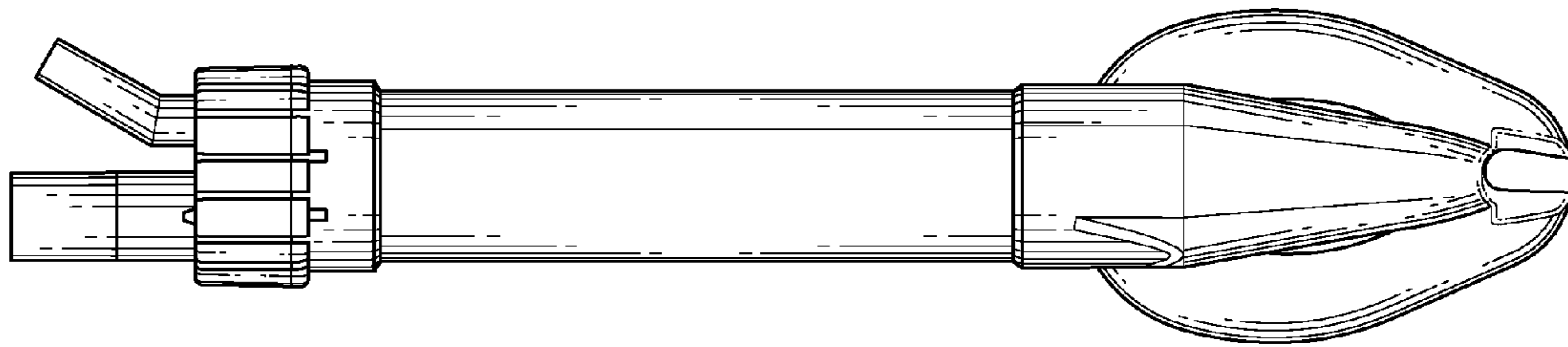


FIG. 4

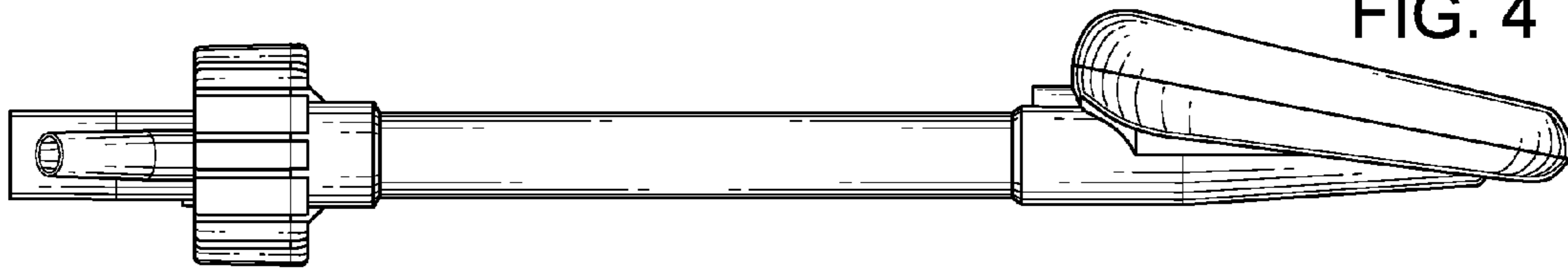


FIG. 5

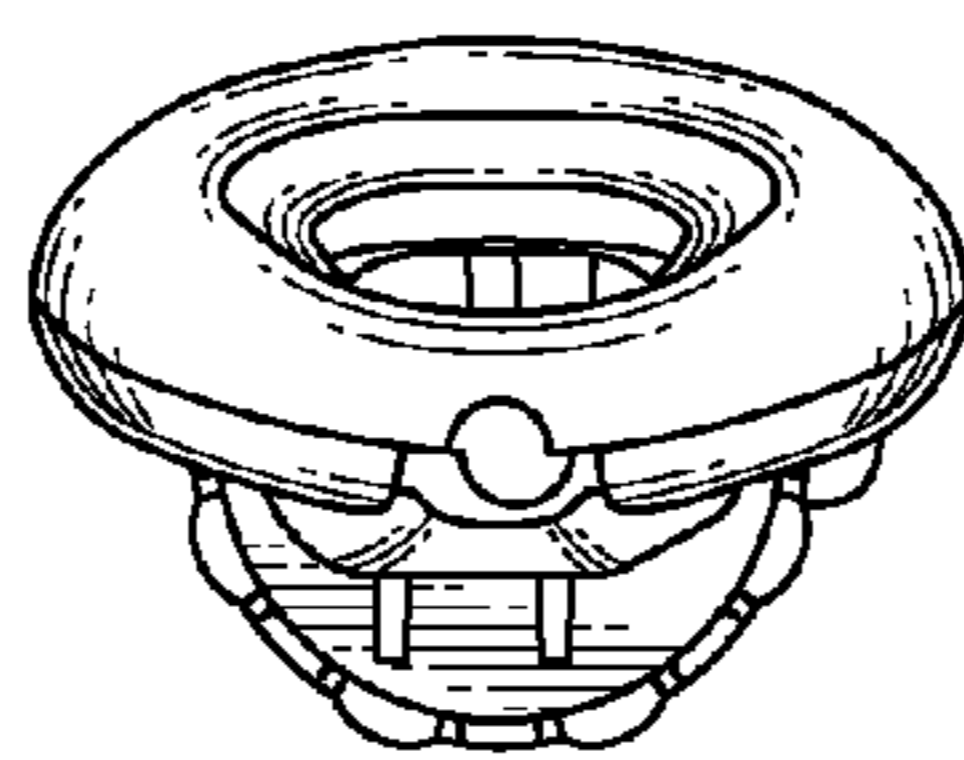


FIG. 6

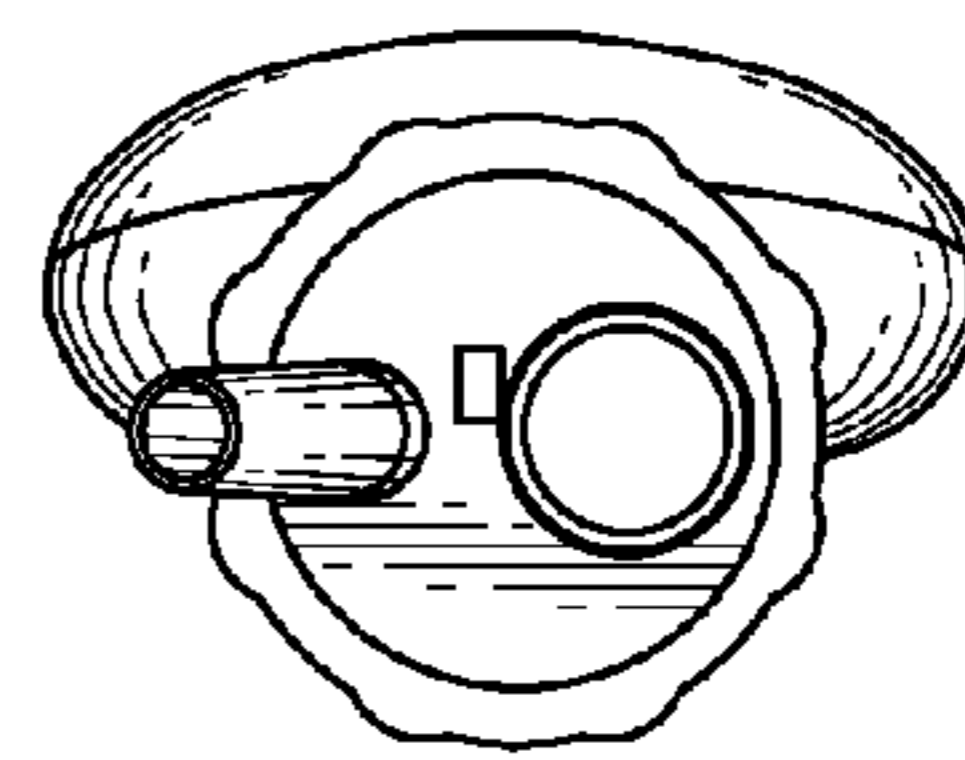


FIG. 7

