



US00D618787S

(12) **United States Design Patent**
Hidalgo

(10) **Patent No.:** **US D618,787 S**
(45) **Date of Patent:** **** Jun. 29, 2010**

(54) **COMBINED CEILING FAN AND LIGHT
FIXTURE HOUSING**

Primary Examiner—Lisa P Lichtenstein
(74) *Attorney, Agent, or Firm*—Baker & McKenzie LLP

(75) **Inventor:** **Rolando Hidalgo**, Yorba Linda, CA
(US)

(57) **CLAIM**

The ornamental design for a combined ceiling fan and light fixture housing, as shown and described.

(73) **Assignee:** **Minka Lighting, Inc.**, Corona, CA (US)

(**) **Term:** **14 Years**

DESCRIPTION

(21) **Appl. No.:** **29/353,429**

FIG. 1 is a bottom perspective view of a combined ceiling fan and light fixture housing showing an embodiment in accordance with my design;

(22) **Filed:** **Jan. 8, 2010**

(51) **LOC (9) Cl.** **23-04**

(52) **U.S. Cl.** **D23/411**

(58) **Field of Classification Search** D23/377,
D23/379, 385, 411, 413; 416/5; D26/59,
D26/72, 81–86, 88, 51

FIG. 2 is a reduced top plan view of the combined ceiling fan and light fixture housing in accordance with my design;

FIG. 3 is a reduced bottom plan view of the combined ceiling fan and light fixture housing in accordance with my design; and,

See application file for complete search history.

FIG. 4 is an enlarged side elevation view of the combined ceiling fan and light fixture housing in accordance with my design, all sides being substantially identical.

(56) **References Cited**

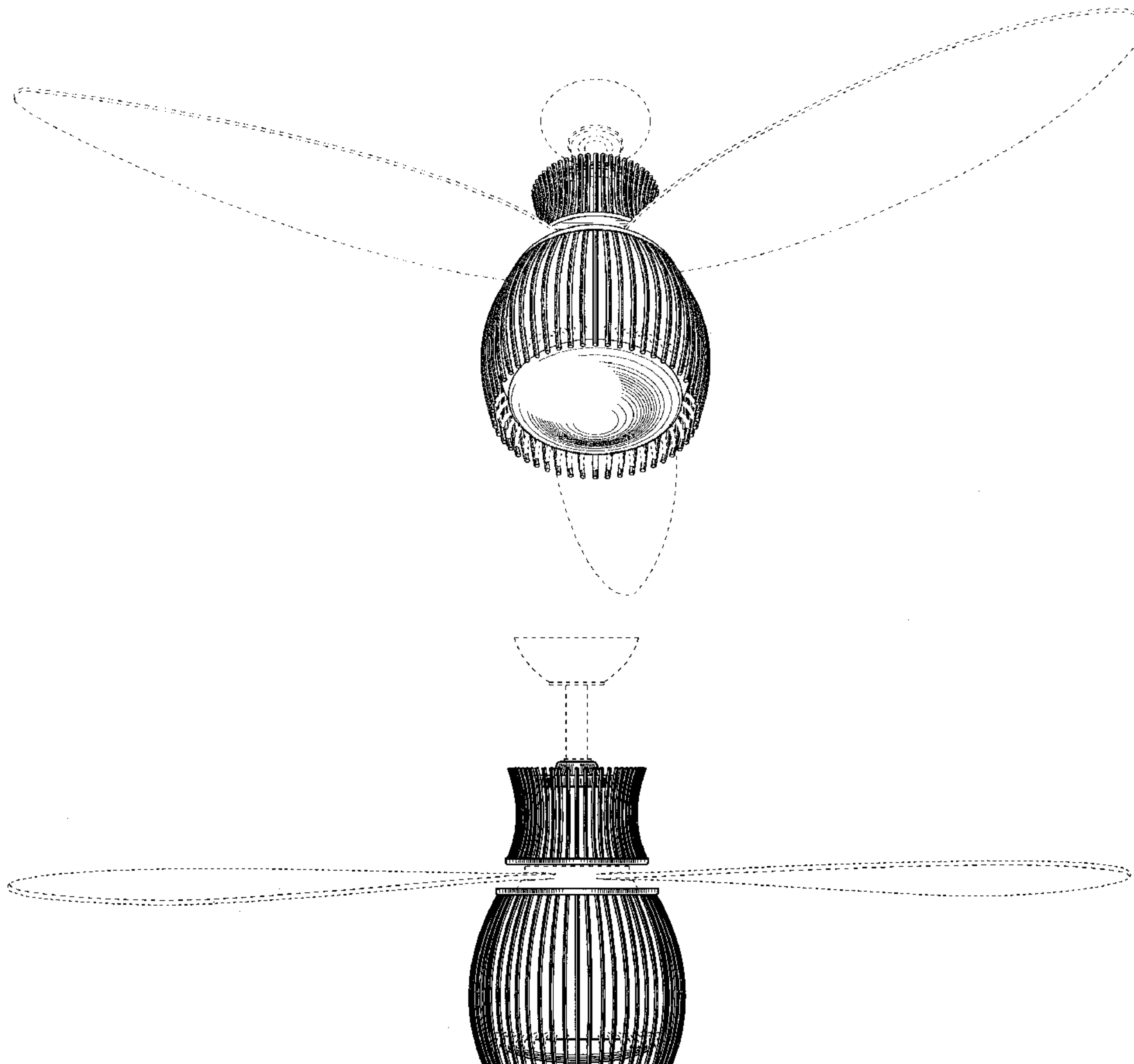
U.S. PATENT DOCUMENTS

- D476,075 S * 6/2003 Hsieh D23/411
- D479,594 S * 9/2003 Hsieh D23/411
- D562,972 S * 2/2008 Pickett D23/411

The broken line showing of a canopy, blades and a support rod is included for the purpose of illustrating environmental structure and forms no part of the claimed design.

* cited by examiner

1 Claim, 4 Drawing Sheets



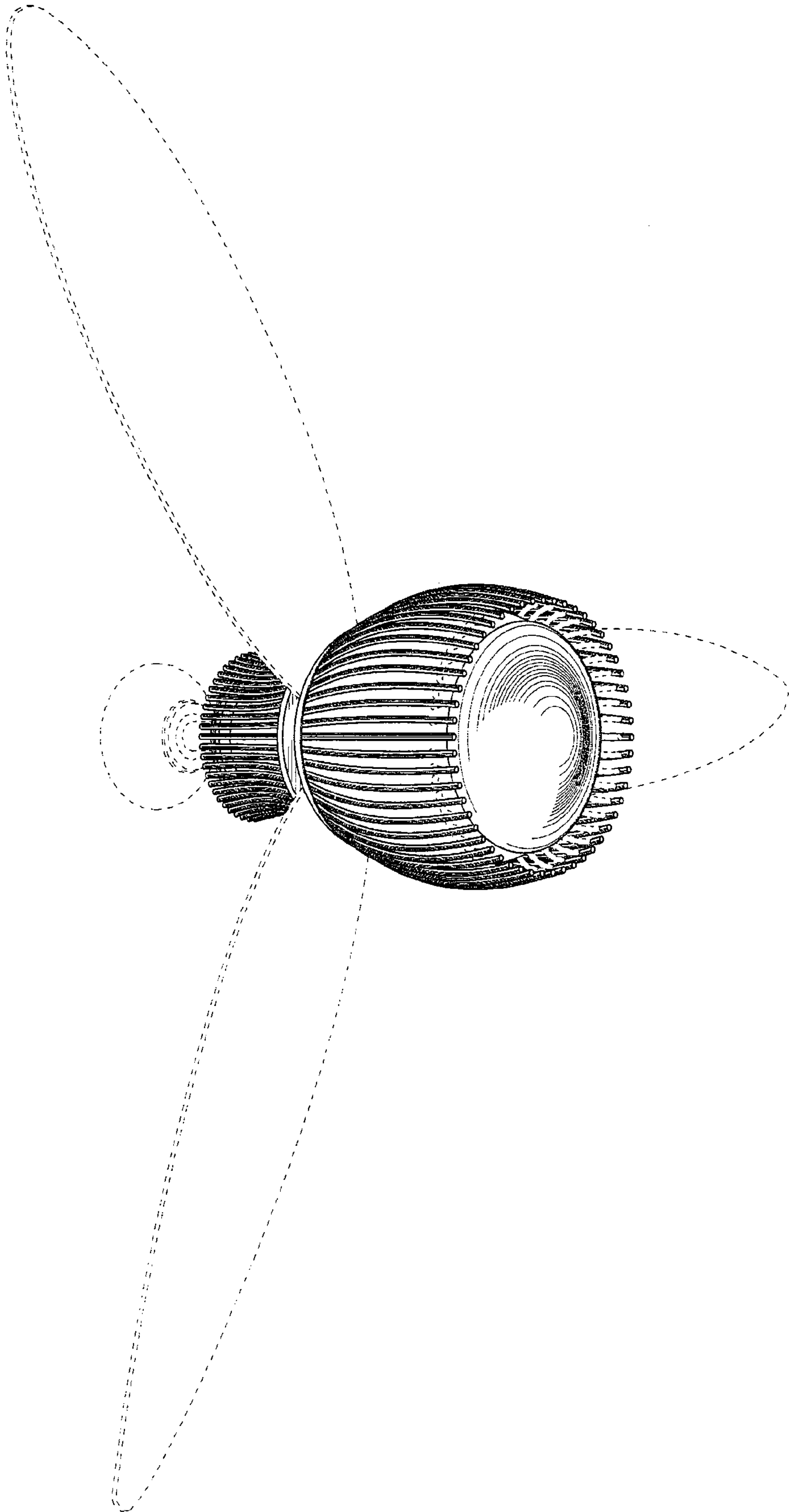


Fig. 1

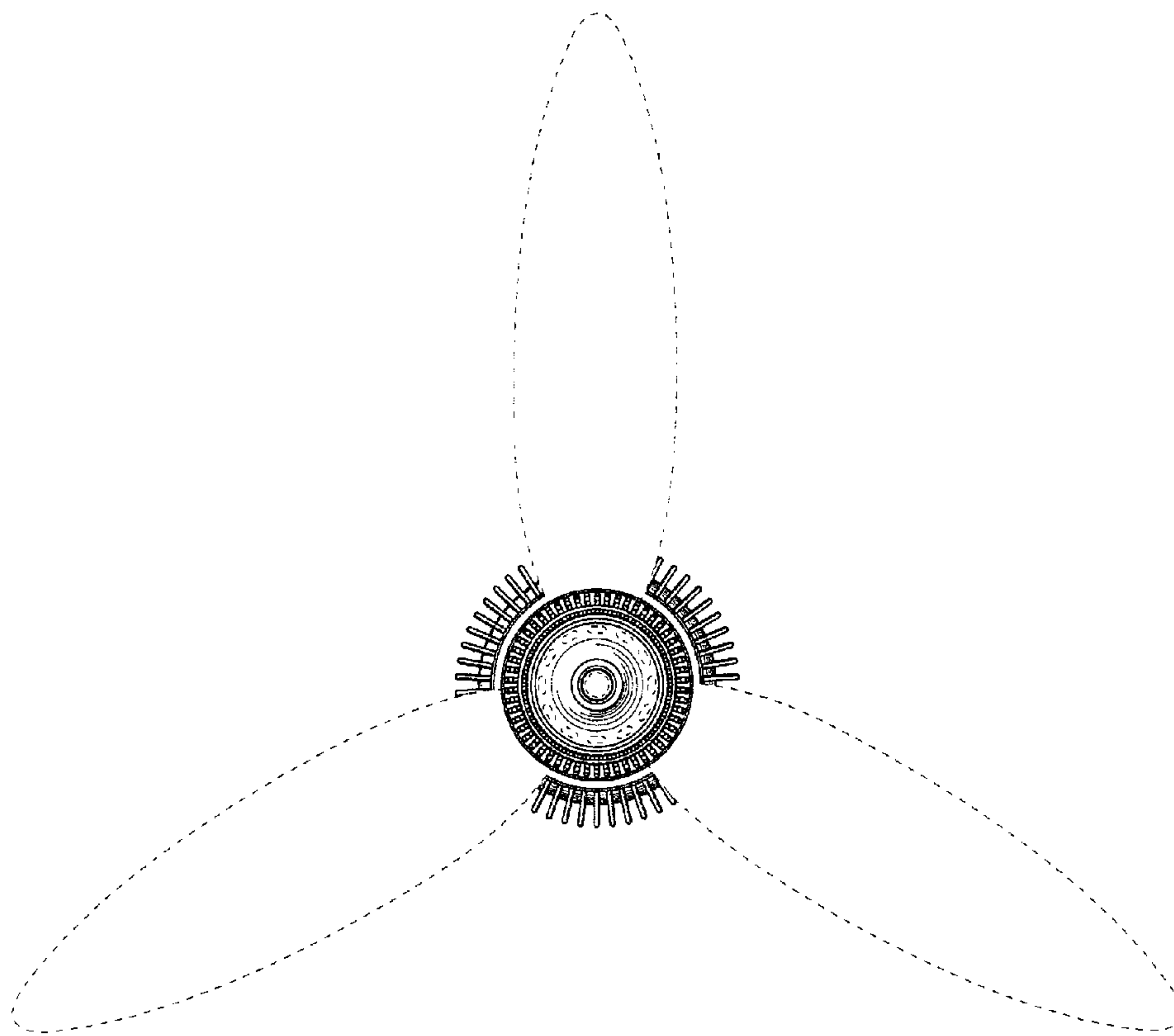


Fig.2

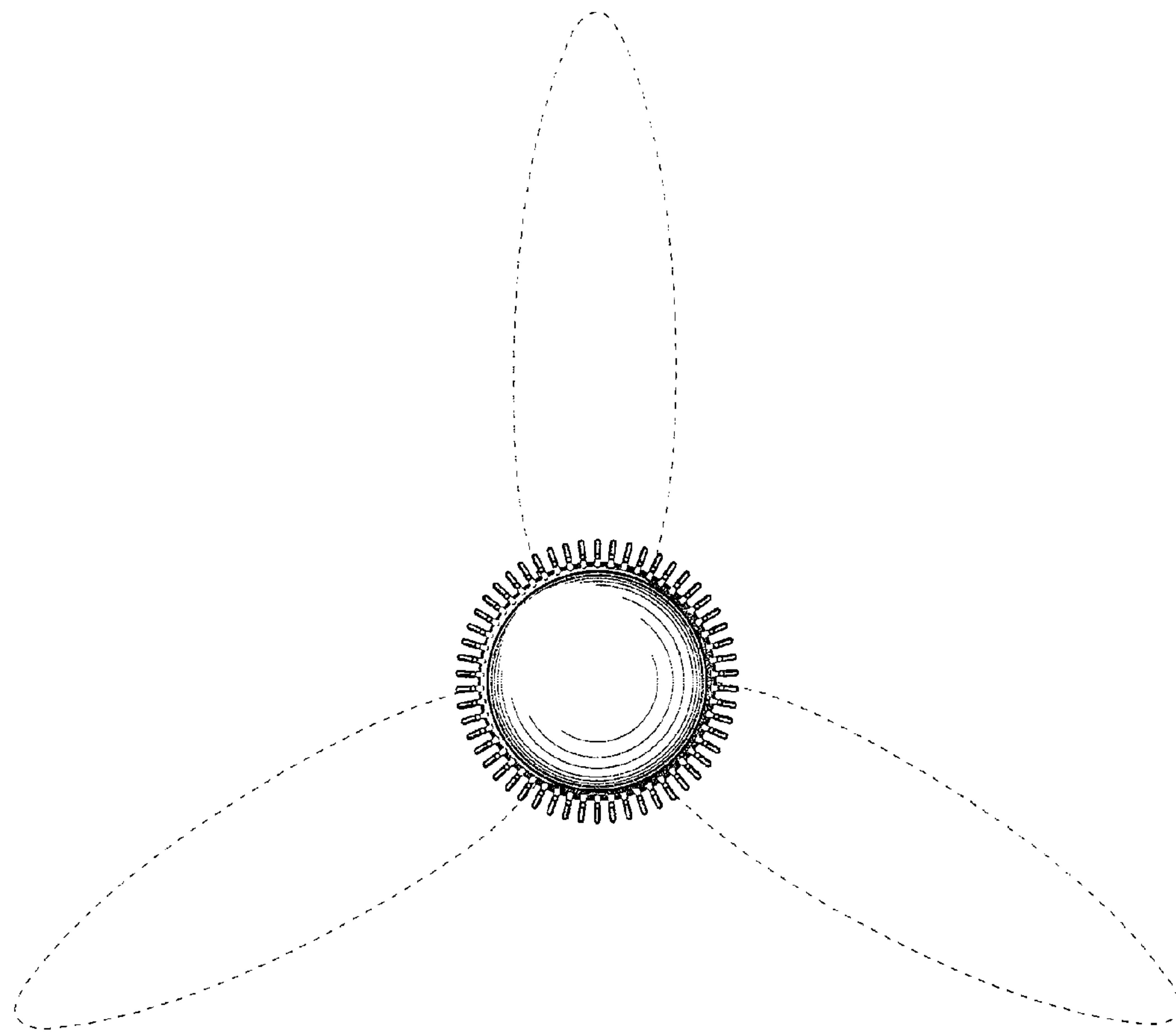


Fig.3

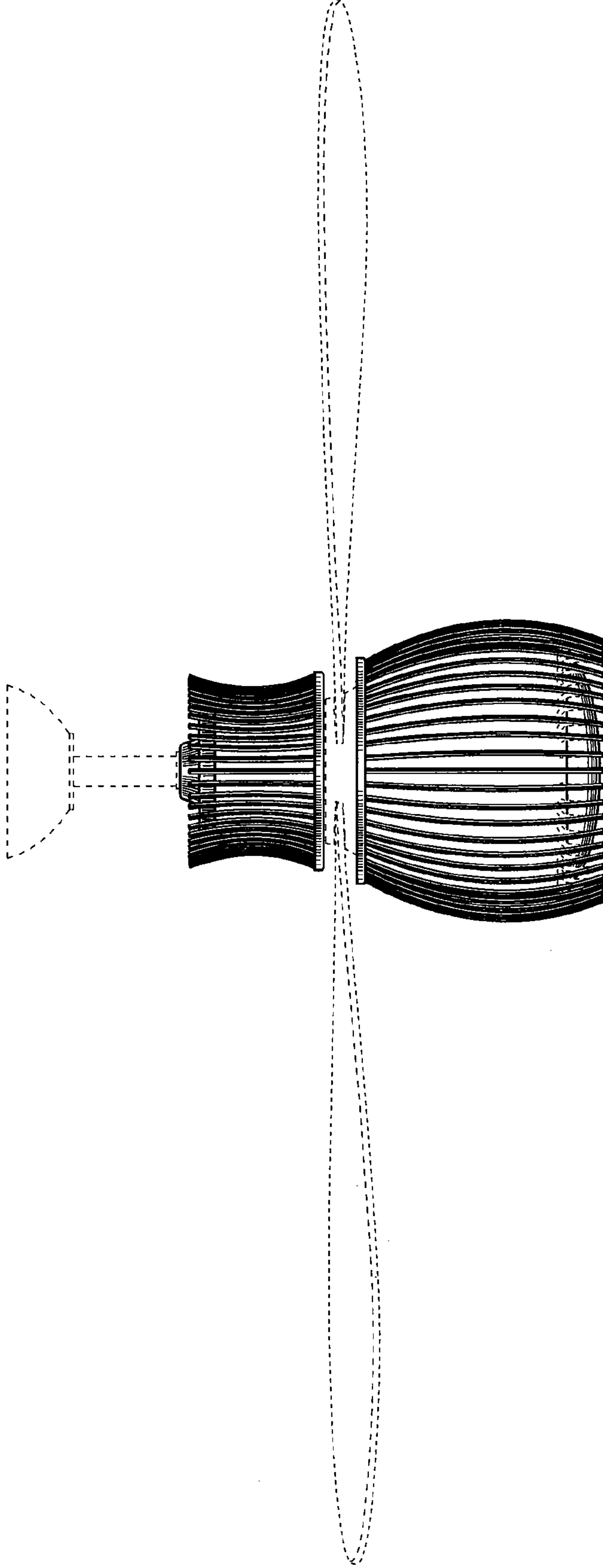


Fig. 4