



US00D618785S

(12) **United States Design Patent**
Teng

(10) **Patent No.:** **US D618,785 S**
(45) **Date of Patent:** **** Jun. 29, 2010**

(54) **REFRACTORY FIREPLACE CORE ORNAMENT**

(76) Inventor: **Ching-Hsi Teng**, 3F, No. 2, Alley 28, Lane 316, Jhihsing Rd., Beitou Dist., Taipei City (TW)

(**) Term: **14 Years**

(21) Appl. No.: **29/334,803**

(22) Filed: **Apr. 2, 2009**

(51) **LOC (9) Cl.** **23-03**

(52) **U.S. Cl.** **D23/403**

(58) **Field of Classification Search** D23/331, D23/335-341, 343, 344, 346, 350, 366, 386, D23/387, 390, 391, 393, 396-410, 415-421, D23/499; D7/335-337, 402, 407, 408; 126/12, 126/13.29, 44, 58, 92 AC, 144, 152 R, 215, 126/218, 219, 242, 243, 245, 500, 501, 509, 126/510, 544, 546, 548; 428/15, 21, 102; 431/125, 258, 268, 298, 302; D6/416; 239/34, 239/44, 132.1, 145

See application file for complete search history.

(56) **References Cited**

U.S. PATENT DOCUMENTS

1,880,962	A *	10/1932	Koppelman	4/309
D96,515	S *	8/1935	Scheifele	D23/416
3,633,538	A *	1/1972	Hoeflin	118/76
D292,311	S *	10/1987	Joyaux et al.	D23/366
D319,583	S *	9/1991	Halm et al.	D32/29.1
D321,319	S *	11/1991	Giuseppe	D9/519
D394,703	S *	5/1998	Wijaranakula	D23/368
D422,692	S *	4/2000	Quinones	D23/367
D424,677	S *	5/2000	Chen	D23/366
D502,768	S *	3/2005	Blateri	D23/336
6,880,765	B2 *	4/2005	Tuomikoski et al.	239/34

D504,941	S *	5/2005	Blateri	D23/335
D509,889	S *	9/2005	Blateri	D23/335
D510,991	S *	10/2005	Harbutt et al.	D23/366
7,000,852	B1 *	2/2006	Chiu	239/44
D535,002	S *	1/2007	Caserta et al.	D23/366
D545,950	S *	7/2007	Ching et al.	D23/335
D547,432	S *	7/2007	Nishizawa	D23/390
D553,719	S *	10/2007	Blateri et al.	D23/337
7,379,662	B2 *	5/2008	Caserta et al.	392/395
D601,686	S *	10/2009	Chan	D23/336
2003/0080197	A1 *	5/2003	Tuomikoski et al.	239/44
2006/0081721	A1 *	4/2006	Caserta et al.	239/44
2007/0001023	A1 *	1/2007	Green et al.	239/34
2008/0014539	A1 *	1/2008	Pisklak et al.	431/268

* cited by examiner

Primary Examiner—Robert M Spear

Assistant Examiner—Karen Acker

(74) *Attorney, Agent, or Firm*—Ching-Ling Huang

(57) **CLAIM**

The ornamental design for a refractory fireplace core ornament, as shown and described.

DESCRIPTION

FIG. 1 is a perspective view of a refractory fireplace core ornament showing my/our new design thereof;

FIG. 2 is a right side elevational view thereof;

FIG. 3 is a top plan view thereof;

FIG. 4 is a front side elevational view thereof;

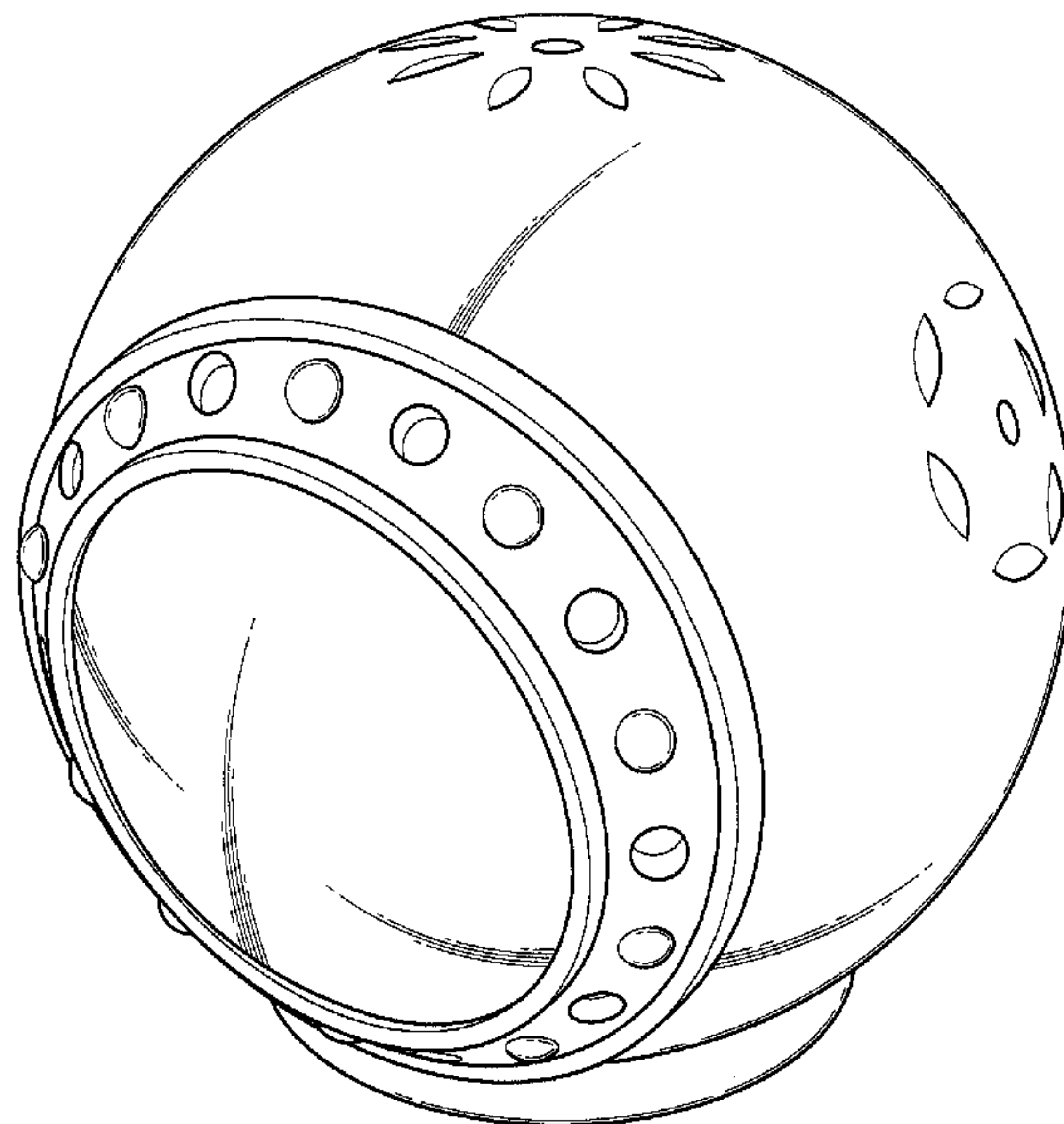
FIG. 5 is a bottom plan view thereof;

FIG. 6 is a left side elevational view thereof; and,

FIG. 7 is a rear side elevational view thereof.

The broken lines in the drawings represent unclaimed environmental subject matter.

1 Claim, 4 Drawing Sheets



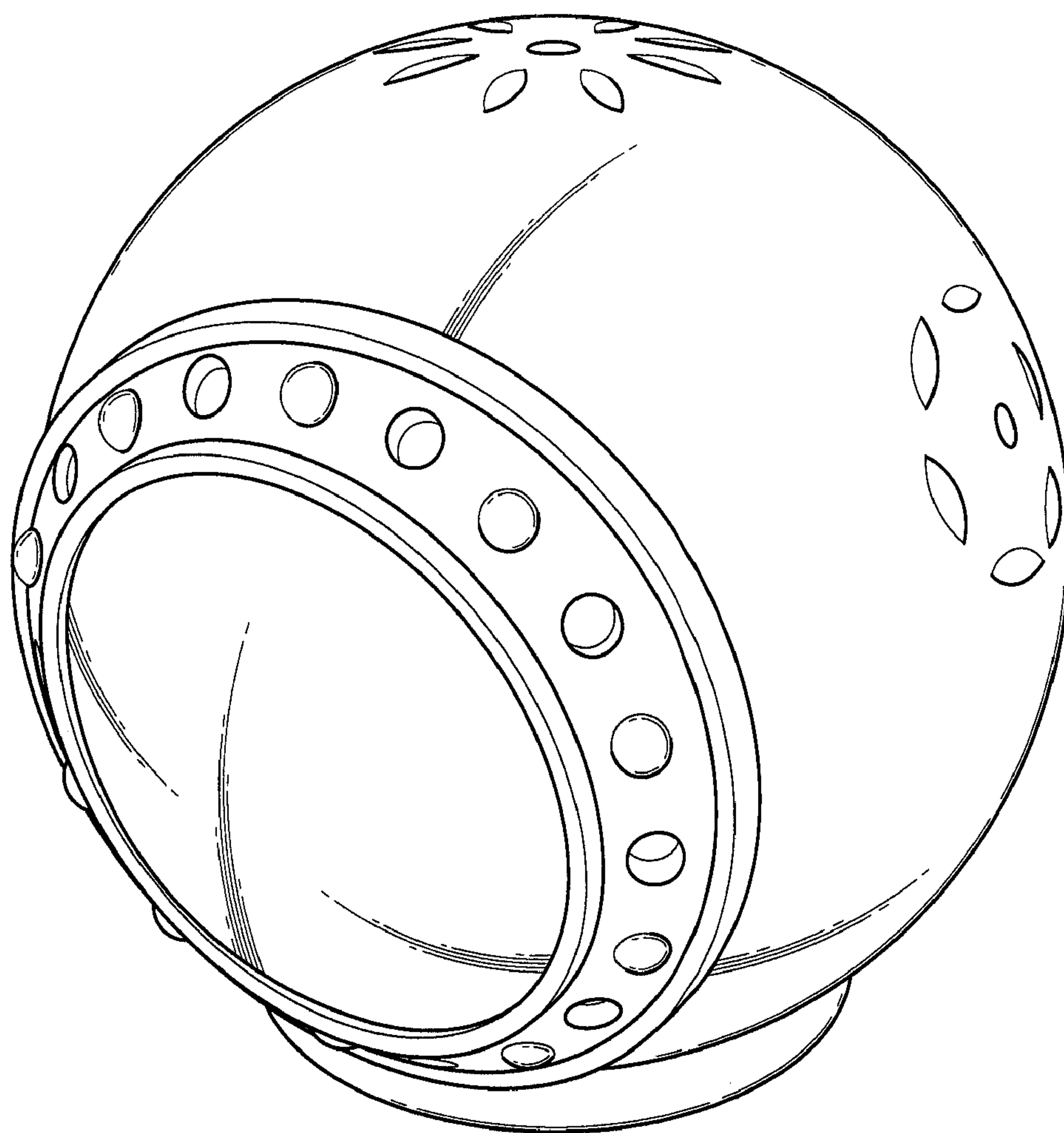


Fig. 1

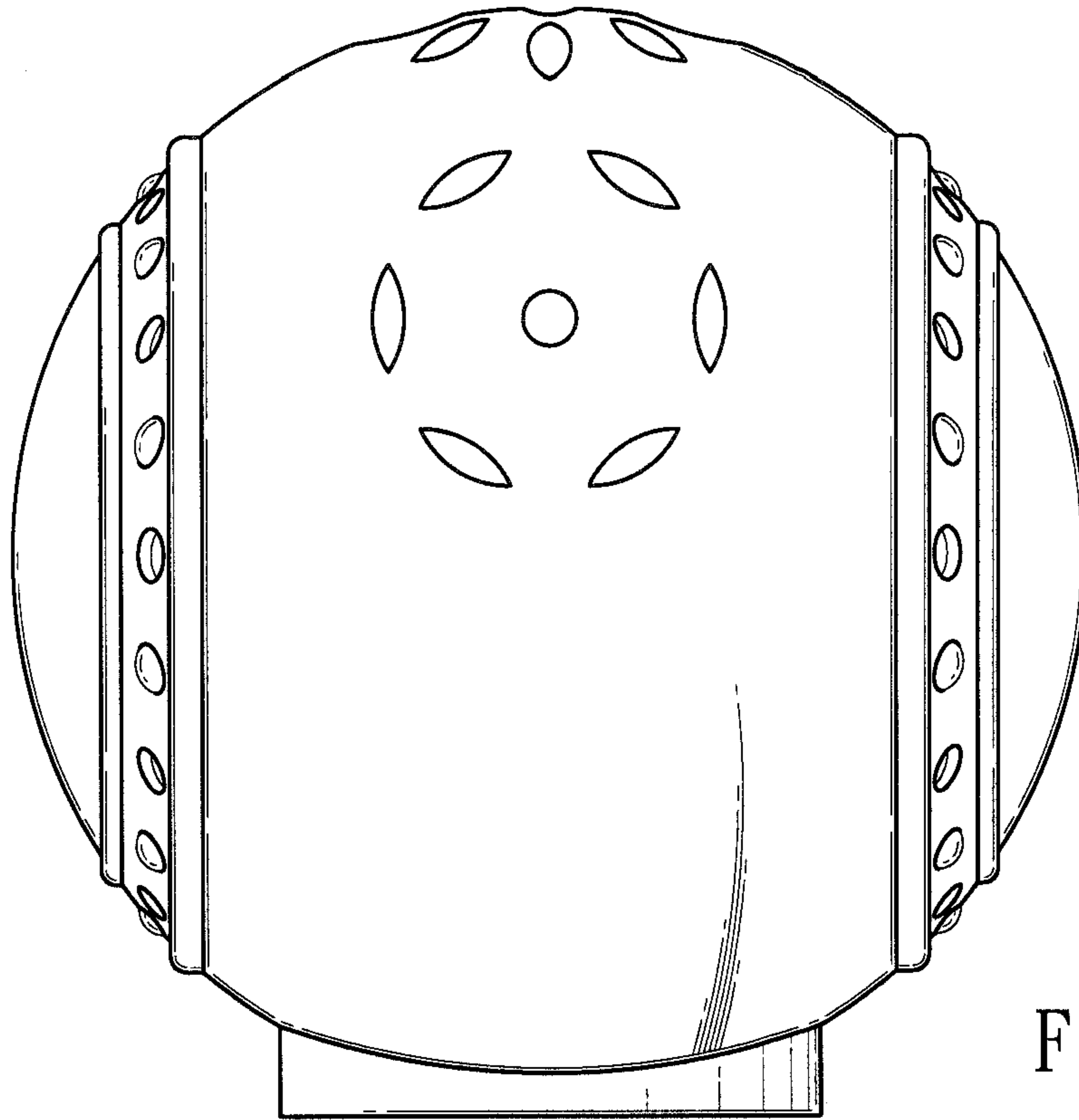


Fig. 2

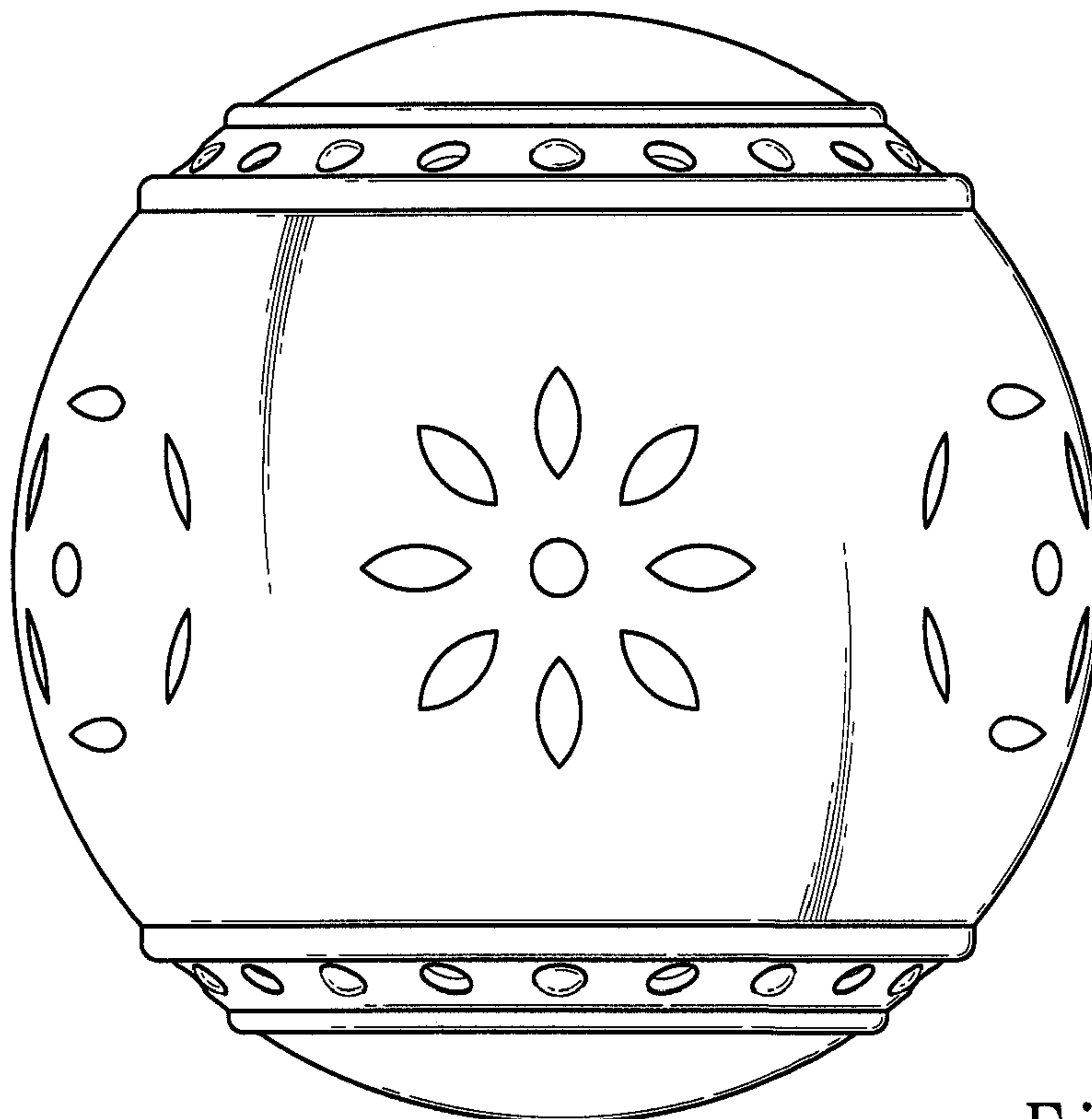


Fig. 3

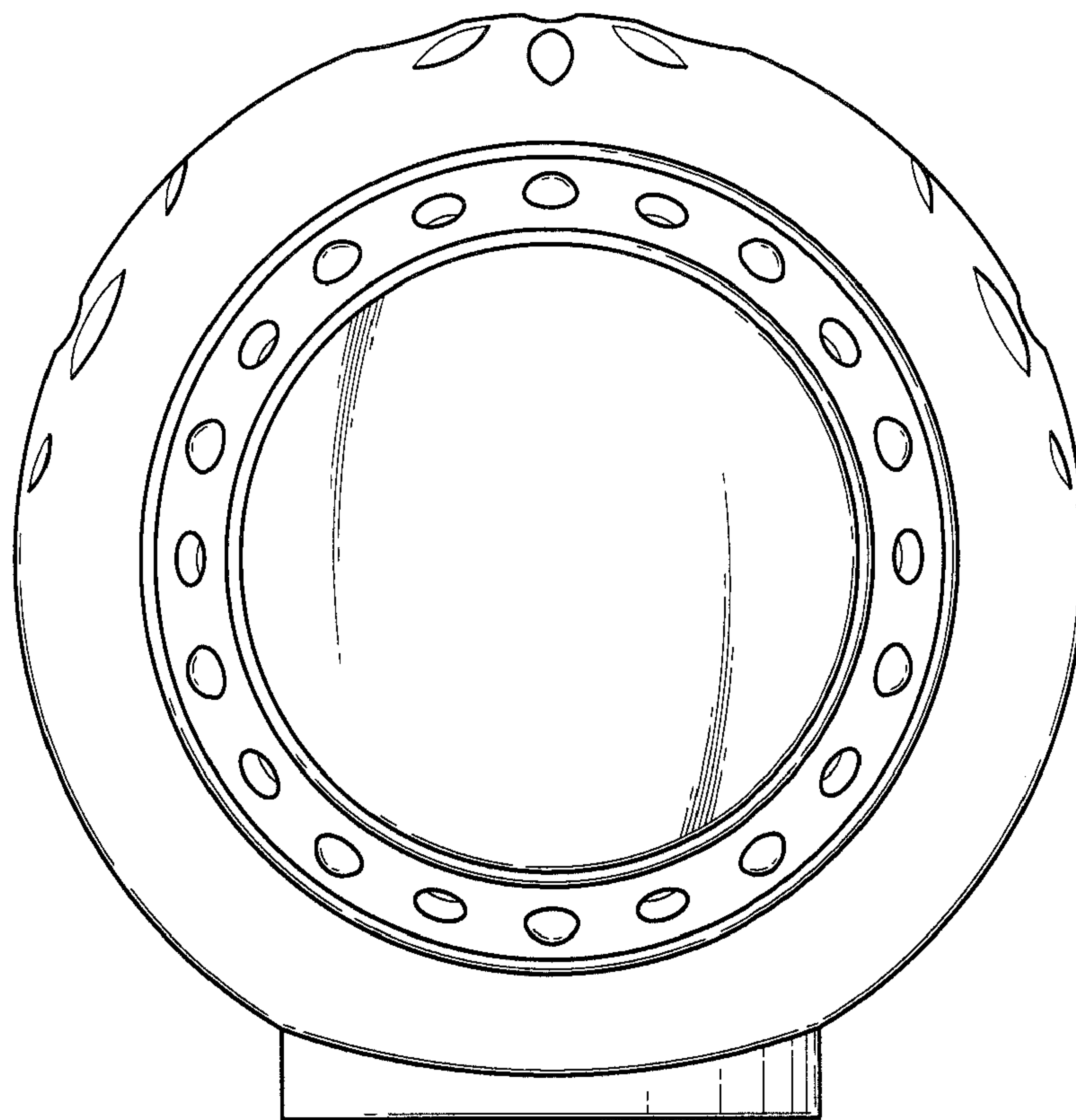


Fig. 4

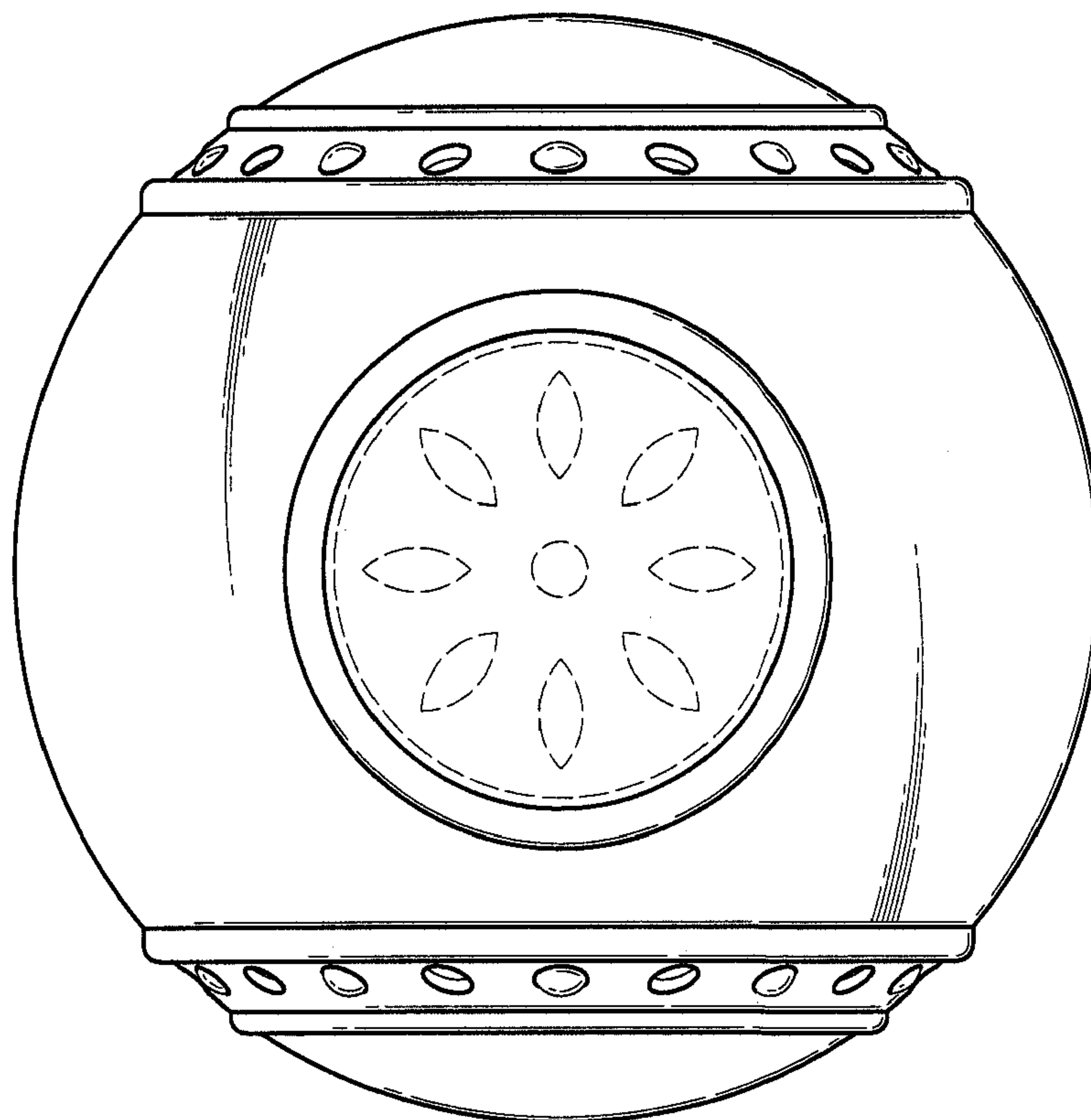


Fig. 5

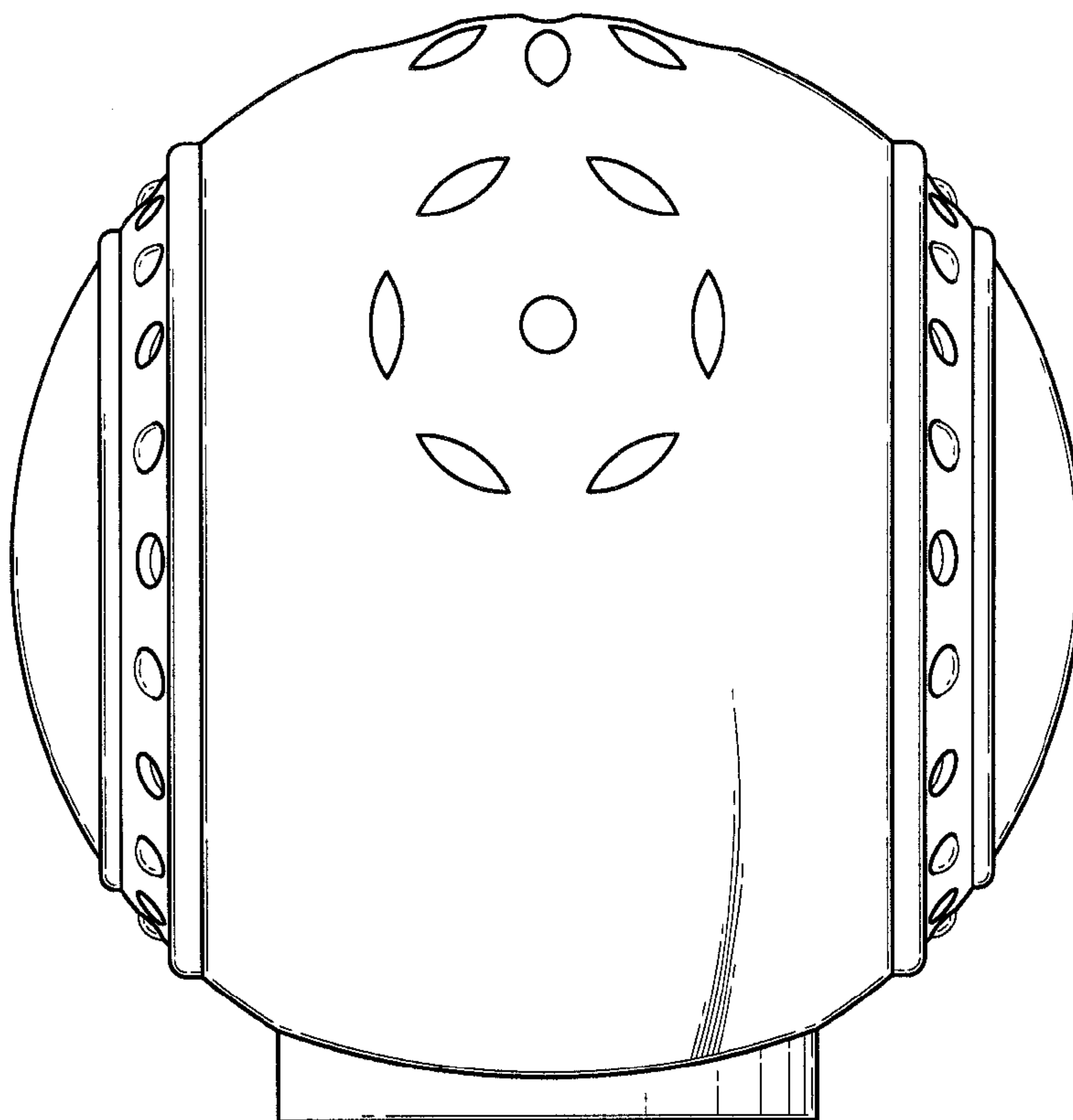


Fig. 6

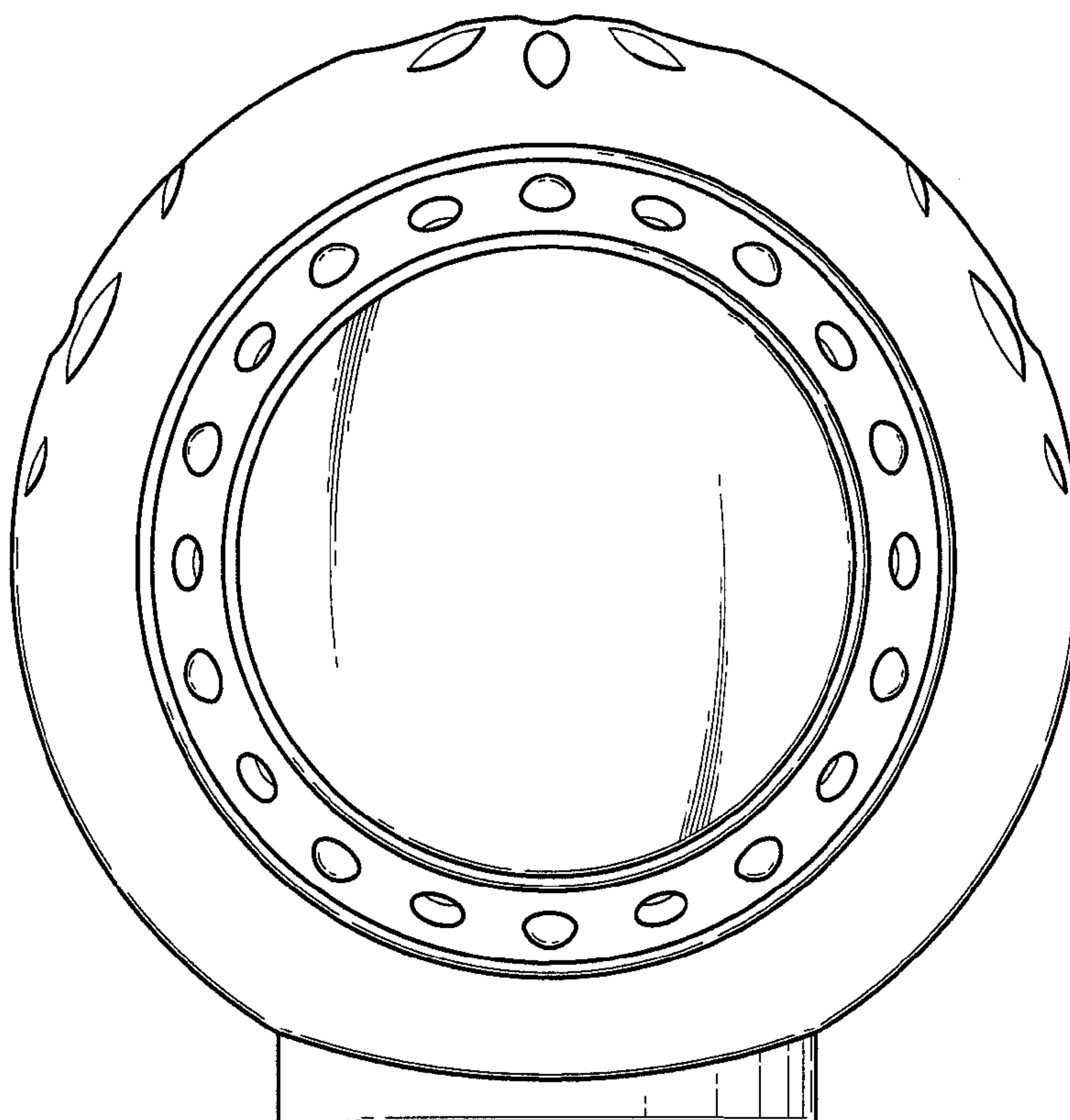


Fig. 7