



US00D618784S

(12) **United States Design Patent**
Underwood

(10) **Patent No.:** **US D618,784 S**
(45) **Date of Patent:** **** Jun. 29, 2010**

(54) **VENT PIPE USING ULTRAVIOLET LIGHT FOR PURIFICATION OF DISCHARGE GASES**

(76) Inventor: **Roy E. Underwood**, 4705 Upper Plott Rd., Young Harris, GA (US) 30582

(**) Term: **14 Years**

(21) Appl. No.: **29/307,782**

(22) Filed: **May 12, 2008**

(51) **LOC (9) Cl.** **23-04**

(52) **U.S. Cl.** **D23/393**

(58) **Field of Classification Search** D23/373, D23/393, 370, 371, 387, 391; 454/364–368, 454/250–253; 52/198, 199, 302.1, 57
See application file for complete search history.

(56) **References Cited**

U.S. PATENT DOCUMENTS

3,082,677	A *	3/1963	Pease	454/366
D254,803	S *	4/1980	Rusth et al.	D23/370
D262,235	S *	12/1981	Hamilton	D23/370
D265,340	S *	7/1982	Kemp	D23/370
D269,809	S *	7/1983	Chadd	D23/371
4,442,643	A *	4/1984	Stadheim	454/367
4,461,066	A *	7/1984	Peterson	454/368
5,390,451	A *	2/1995	Kopp et al.	52/198
D379,501	S *	5/1997	Airosa et al.	D23/371
D386,577	S *	11/1997	Haydock et al.	D23/373

(Continued)

Primary Examiner—T. Chase Nelson

Assistant Examiner—David G Muller

(74) *Attorney, Agent, or Firm*—Harry I. Leon; Vivian L. Steadman

(57) **CLAIM**

The ornamental design for a vent pipe using ultraviolet light for the purification of discharge gases, as shown and described.

DESCRIPTION

FIG. 1 is a front perspective view of the vent pipe according to the present invention installed on the roof of a building. A fragmentary portion of the roof is shown for environmental purposes only and does not form any part of the claimed design;

FIG. 2 is a back, perspective view of the vent pipe according to FIG. 1 installed on the roof of a building. A fragmentary portion of the roof is shown for environmental purposes only and does not form any part of the claimed design;

FIG. 3 is a left side elevation view of the vent pipe;

FIG. 4 is a front elevation view of the vent pipe;

FIG. 5 is a rear elevation view of the vent pipe;

FIG. 6 is a right side elevation view of the vent pipe;

FIG. 7 is a top plan view of the vent pipe;

FIG. 8 is a bottom plan view of the vent pipe. The building sewage vent shown in broken lines is for environmental purposes only and does not form part of the claimed design;

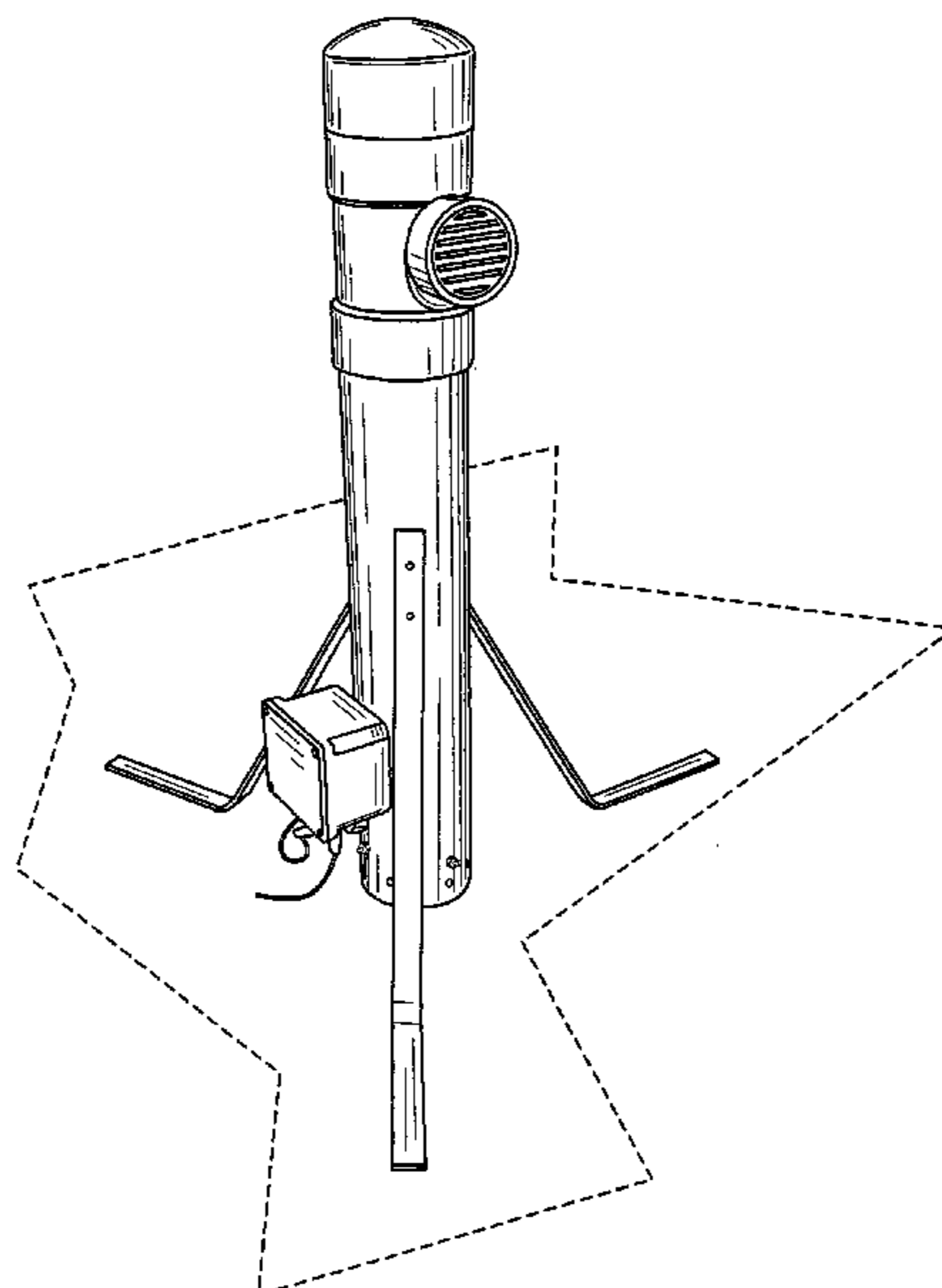
FIG. 9 is a top plan view with the top cover removed;

FIG. 10 is a closeup view of the electrical junction box in which controls for UV lights are housed. Controls are shown for environmental purposes only and do not form part of the claimed design;

FIG. 11 is a cross section view taken along line 11—11 of FIG. 7. The building sewage vent is shown in broken lines is for environmental purposes only and does not form part of the claimed design; and,

FIG. 12 is an exploded view of the vent pipe.

1 Claim, 10 Drawing Sheets



US D618,784 S

Page 2

U.S. PATENT DOCUMENTS

				D414,257 S *	9/1999 Estrada	D23/393
5,746,653	A *	5/1998 Palmer et al.	454/253			
5,749,780	A *	5/1998 Harder et al.	454/368	* cited by examiner		

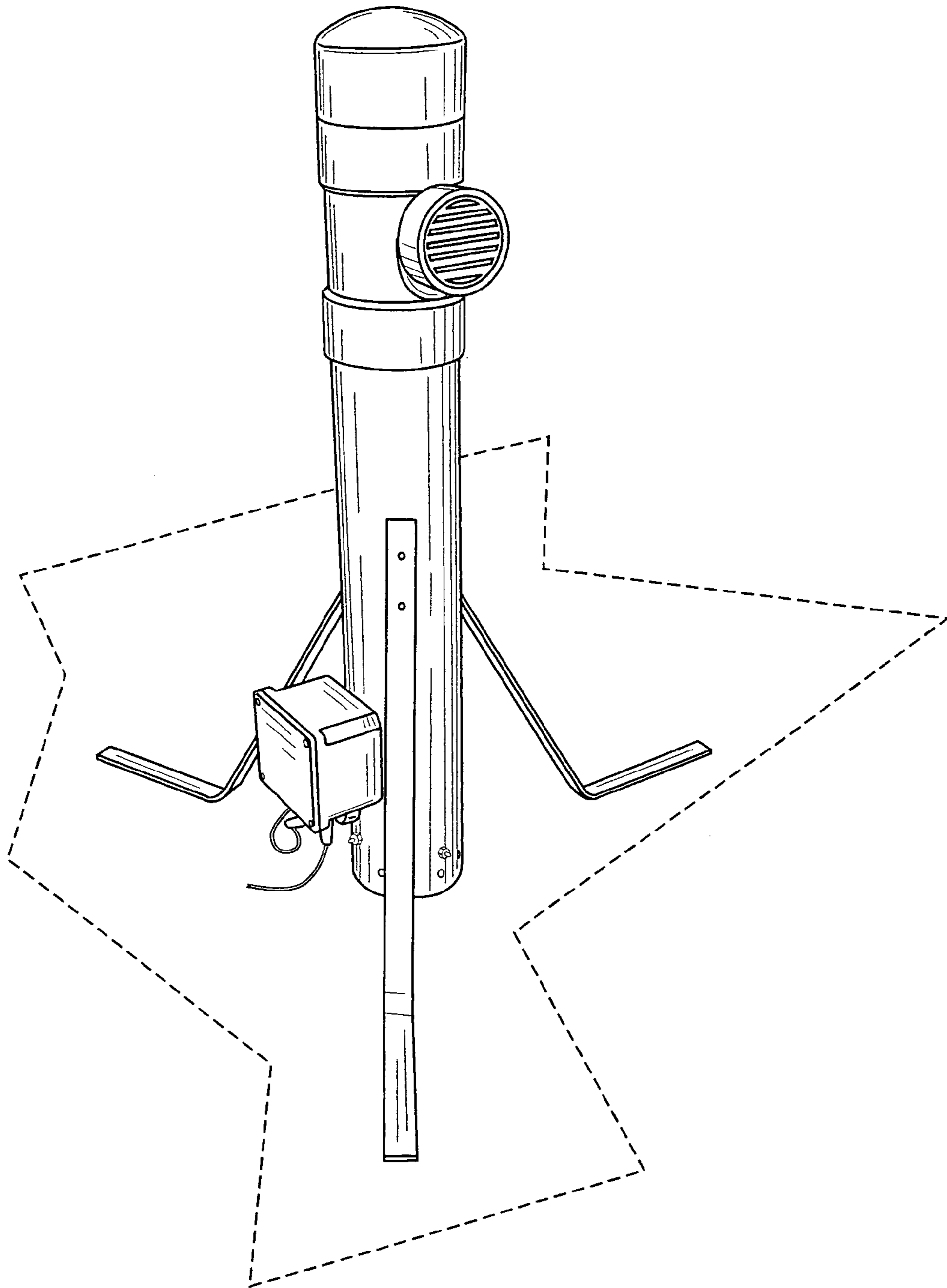


Fig. 1

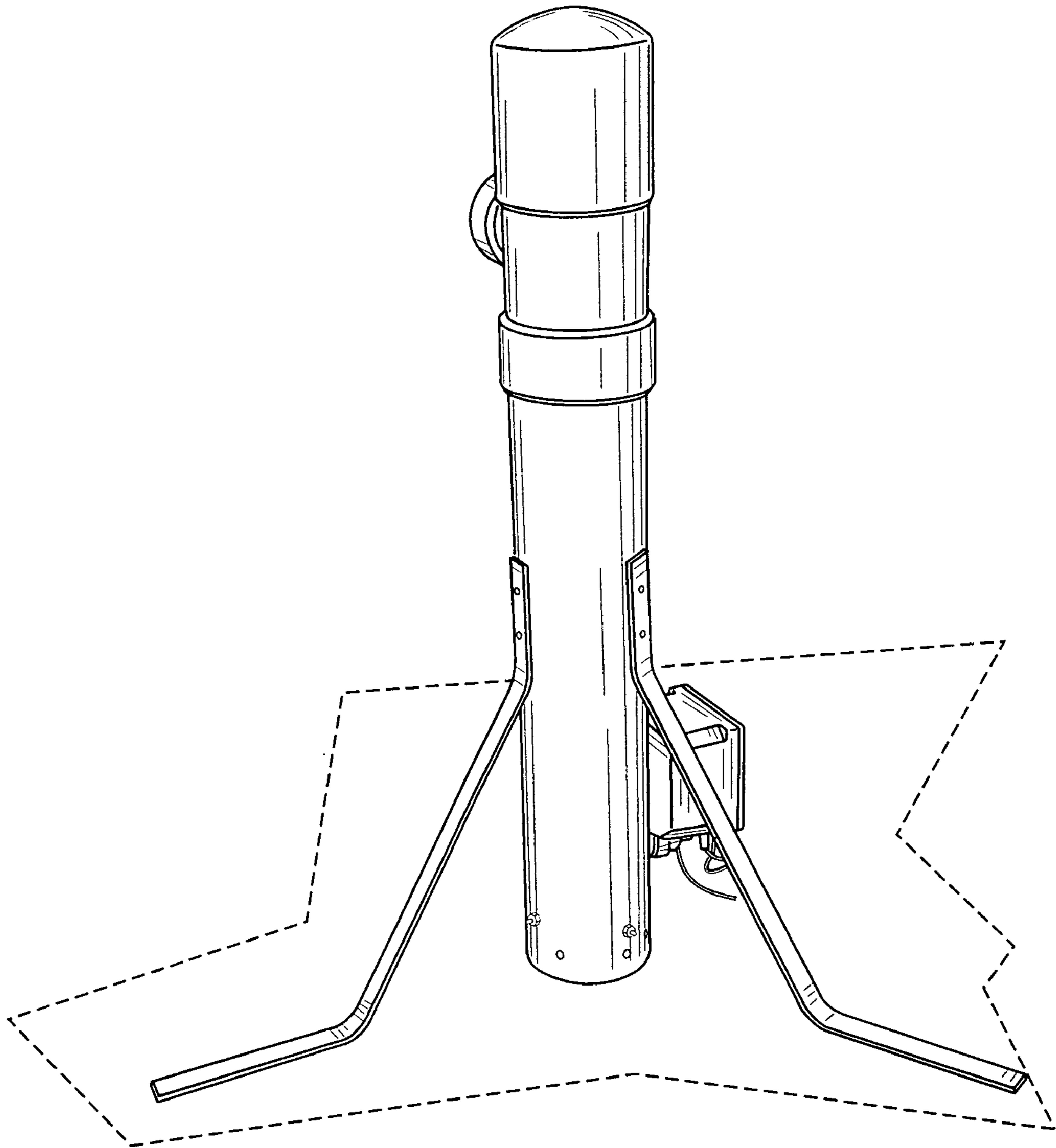


Fig. 2

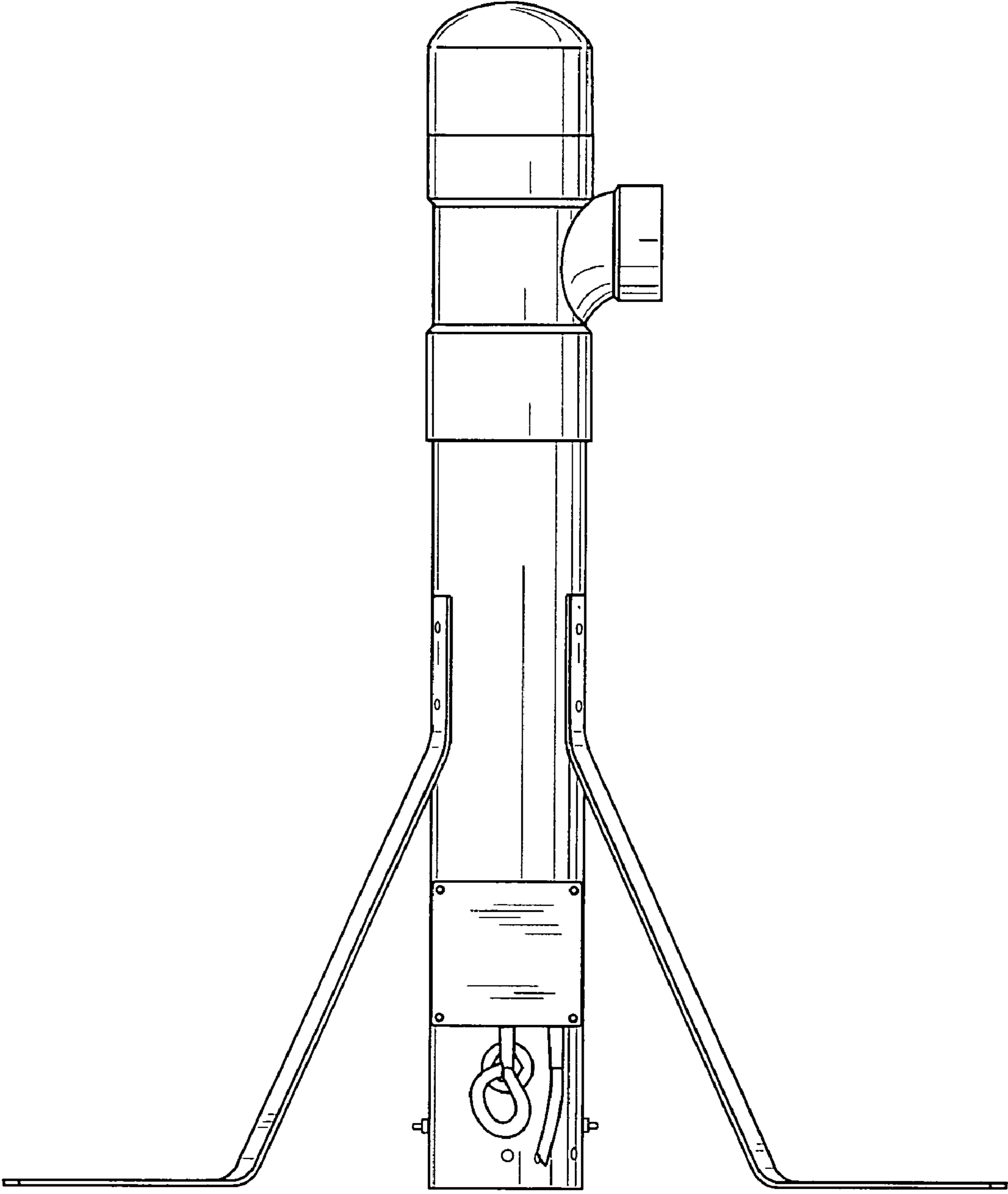


Fig. 3

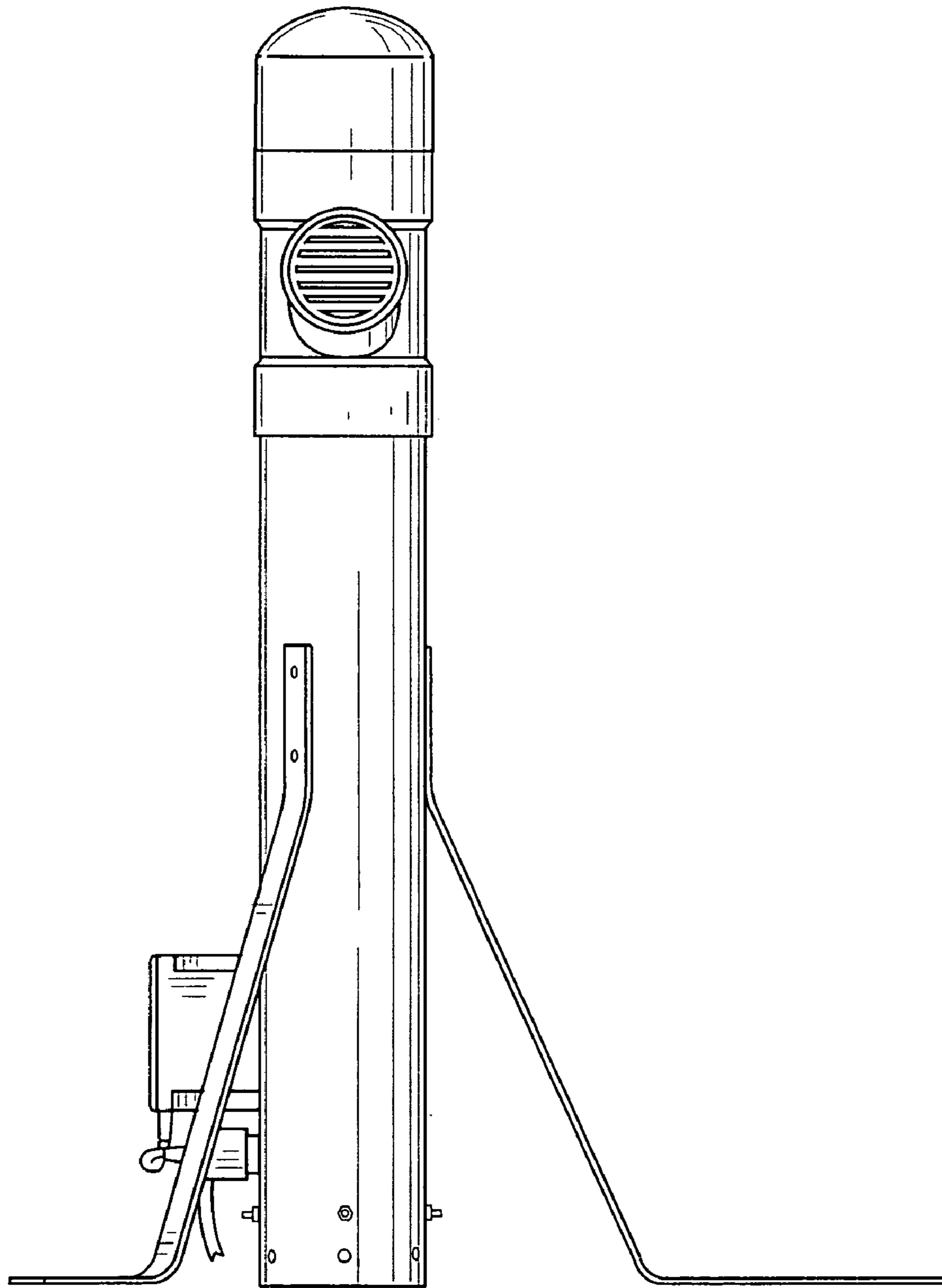


Fig. 4

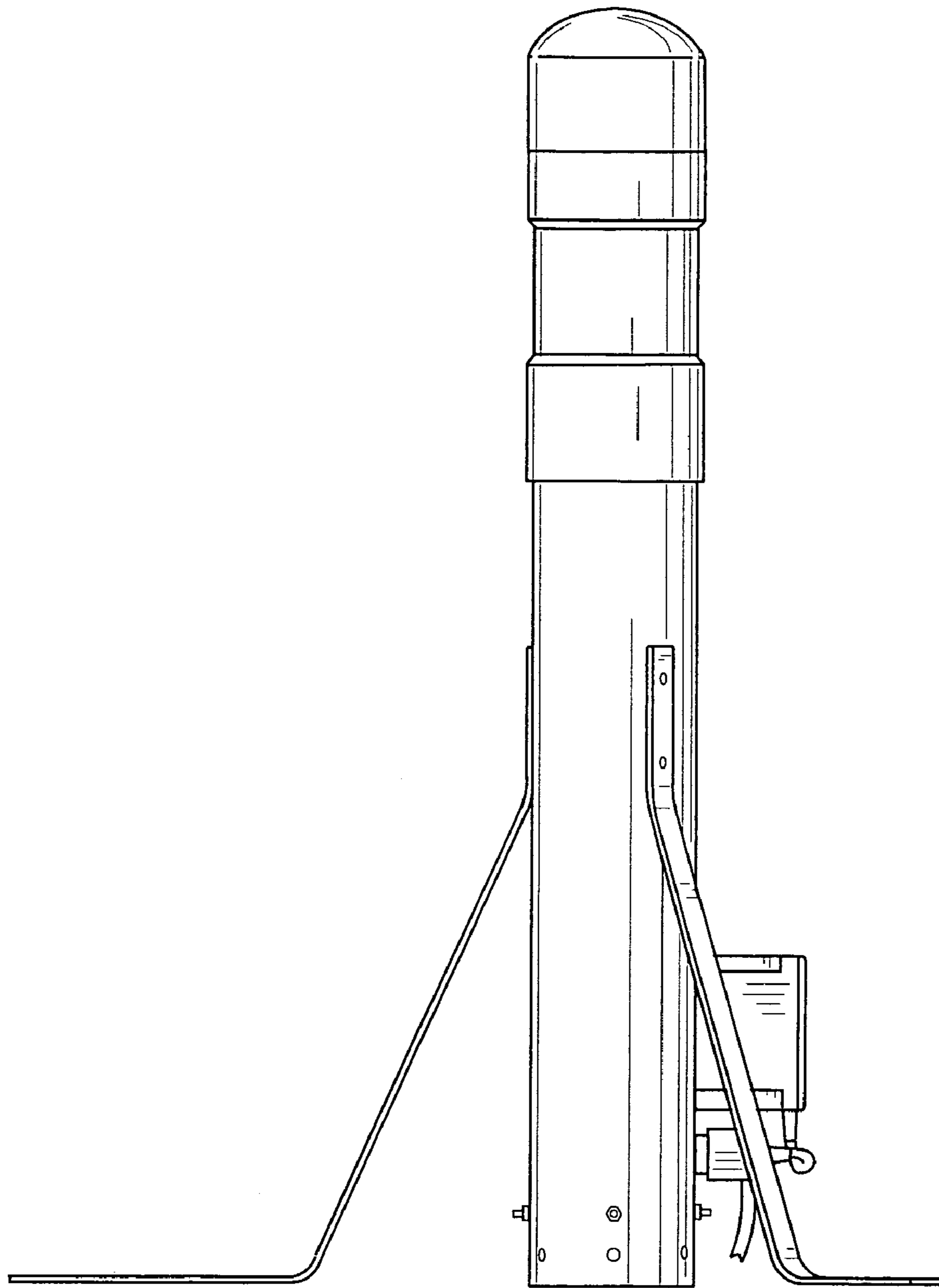


Fig. 5

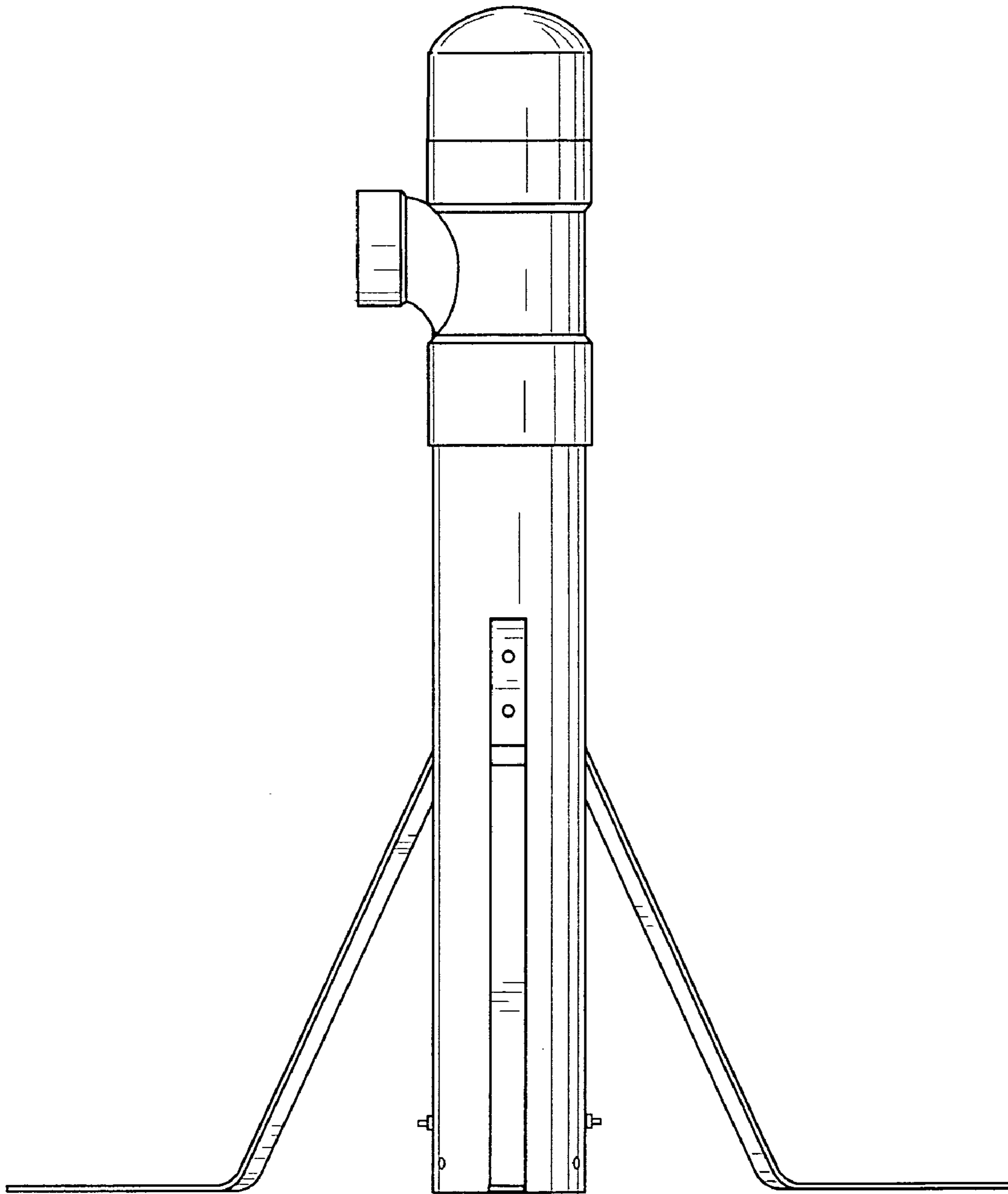


Fig. 6

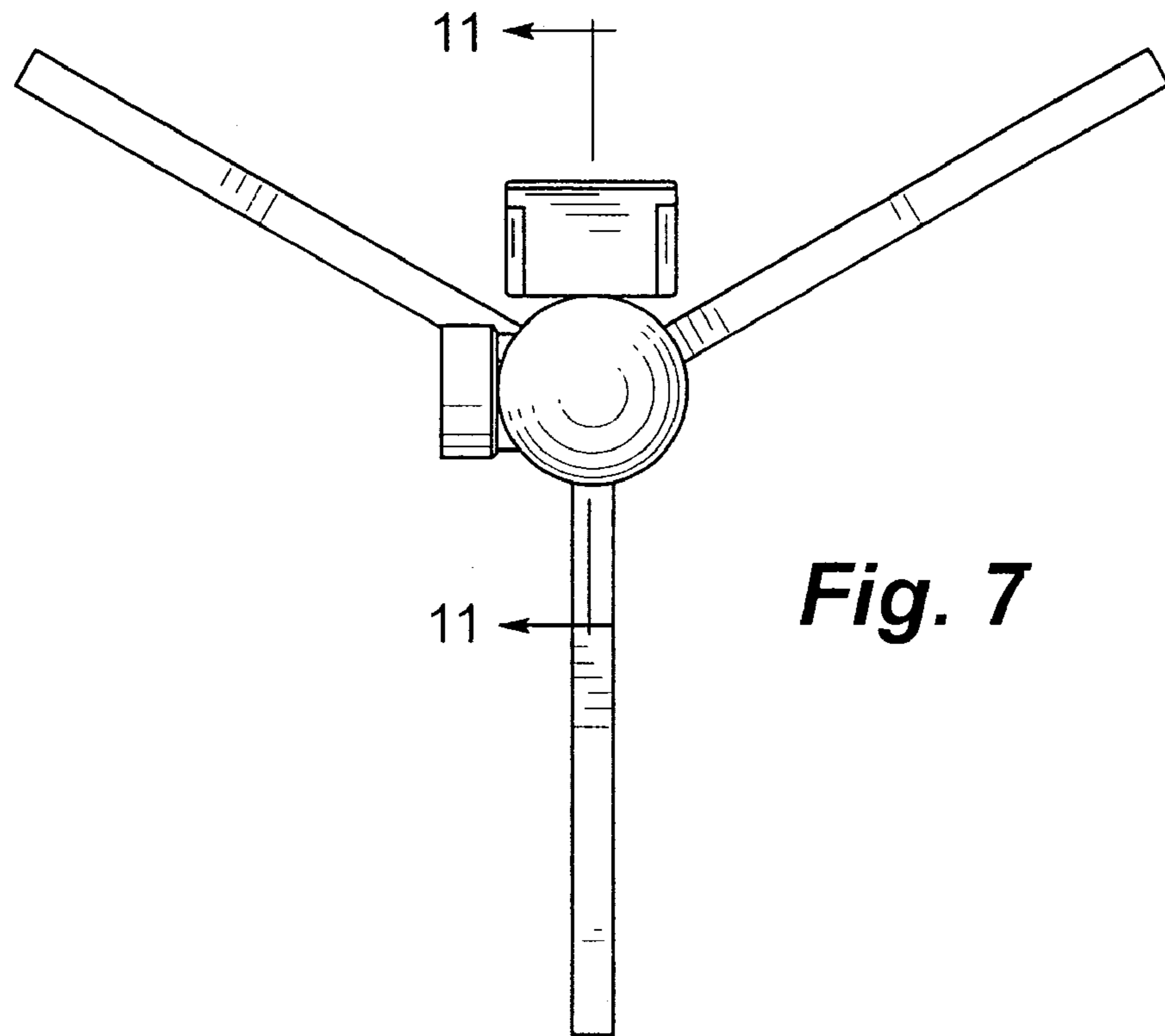


Fig. 7

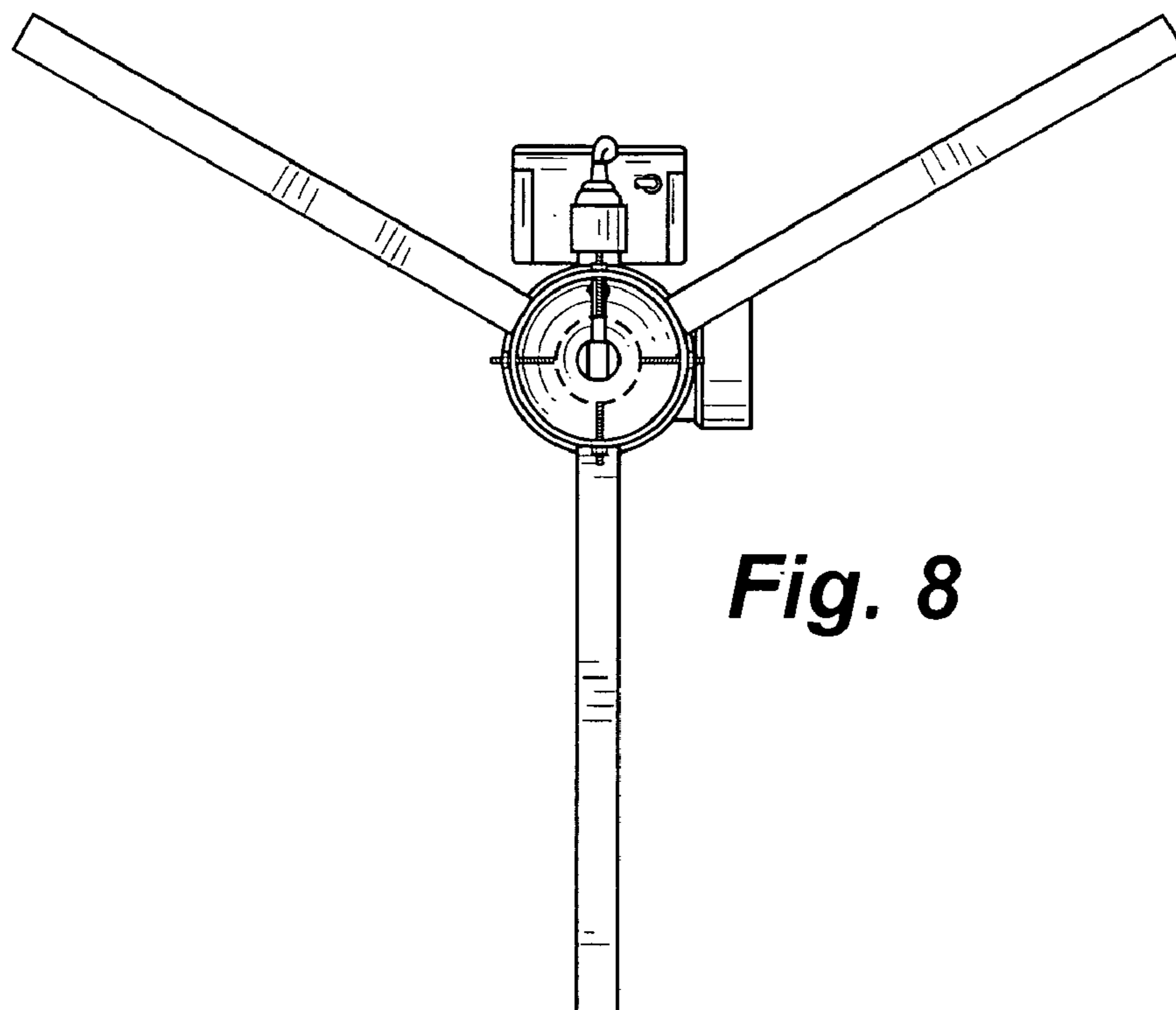


Fig. 8

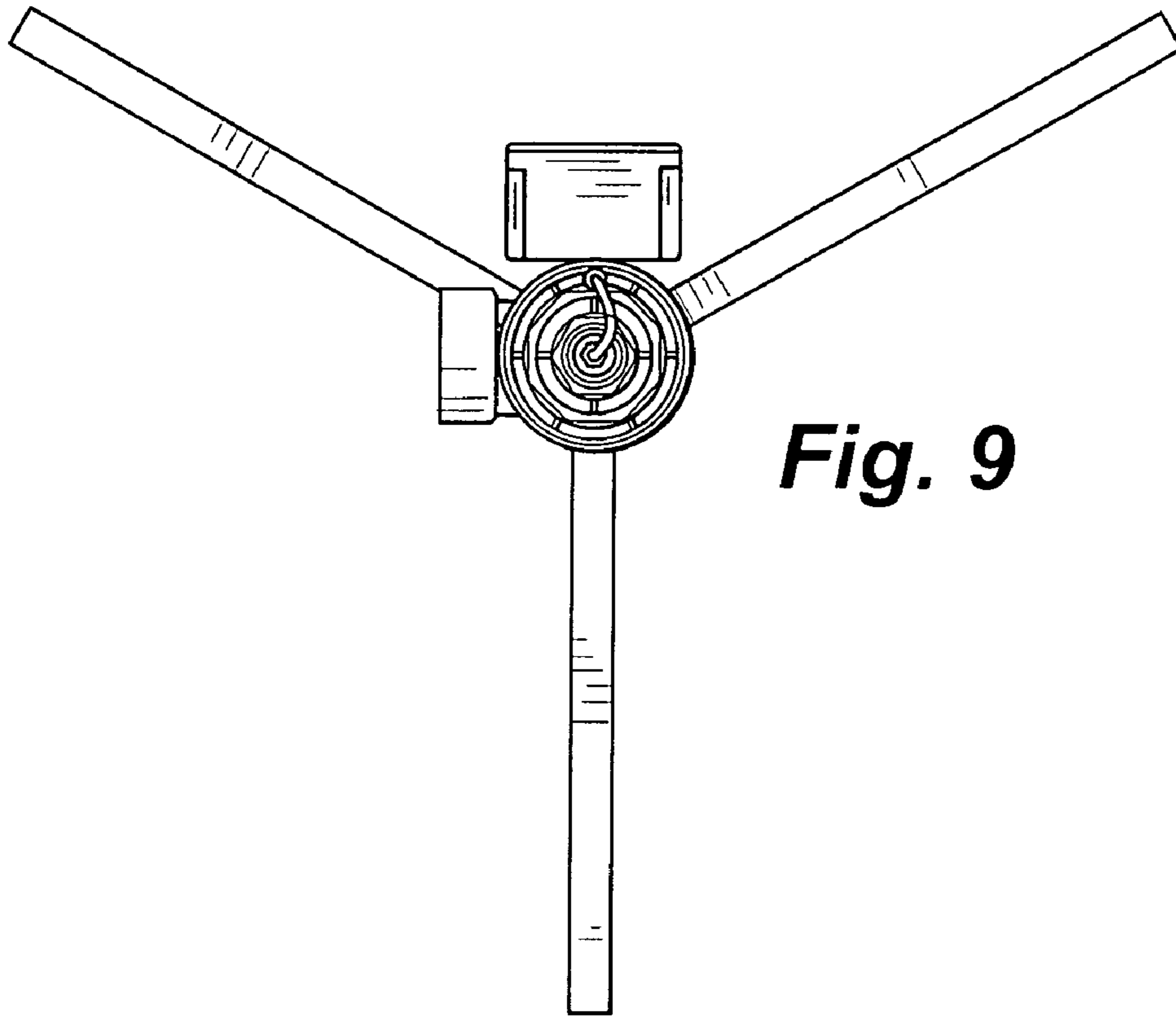


Fig. 9

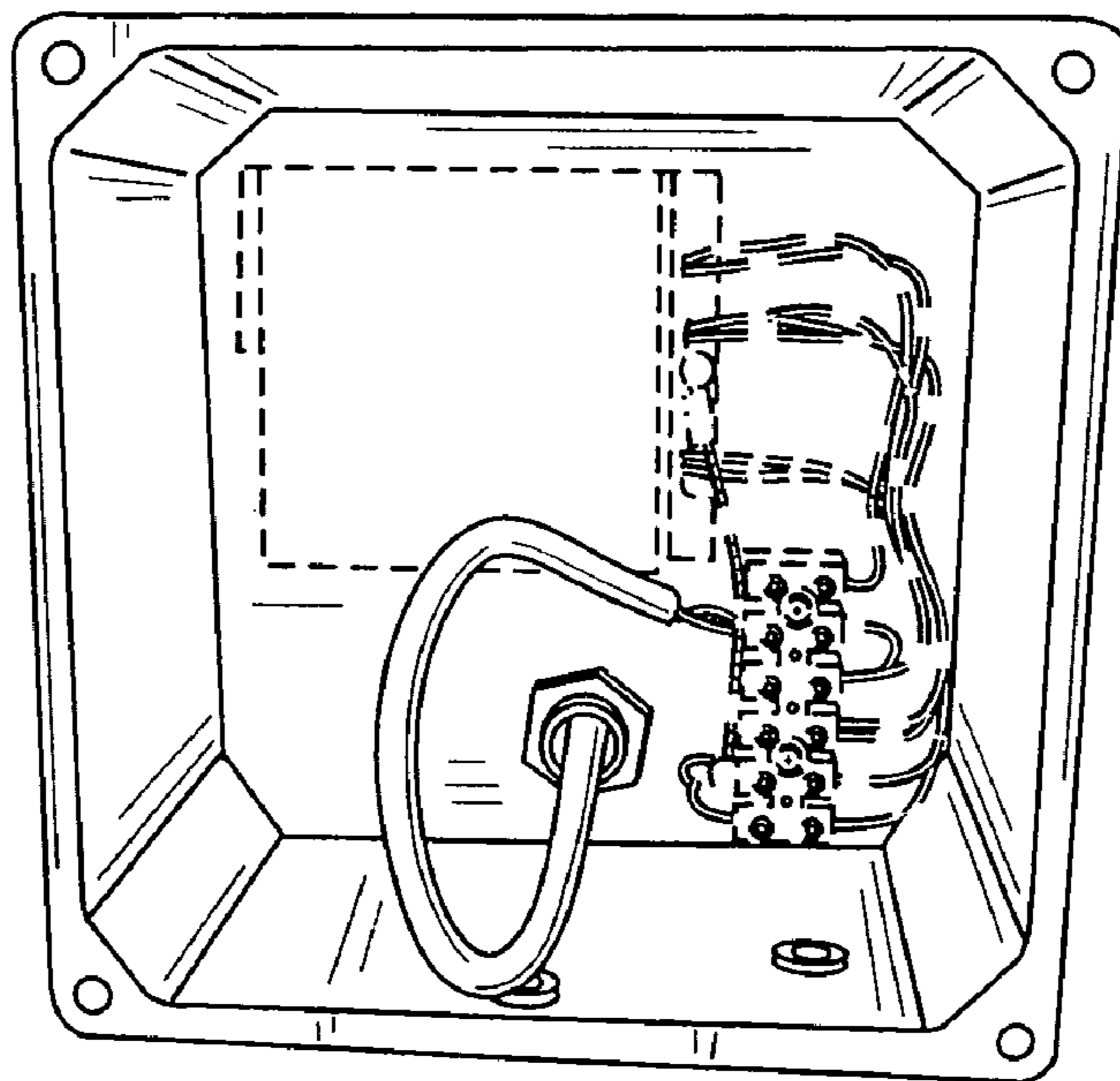


Fig. 10

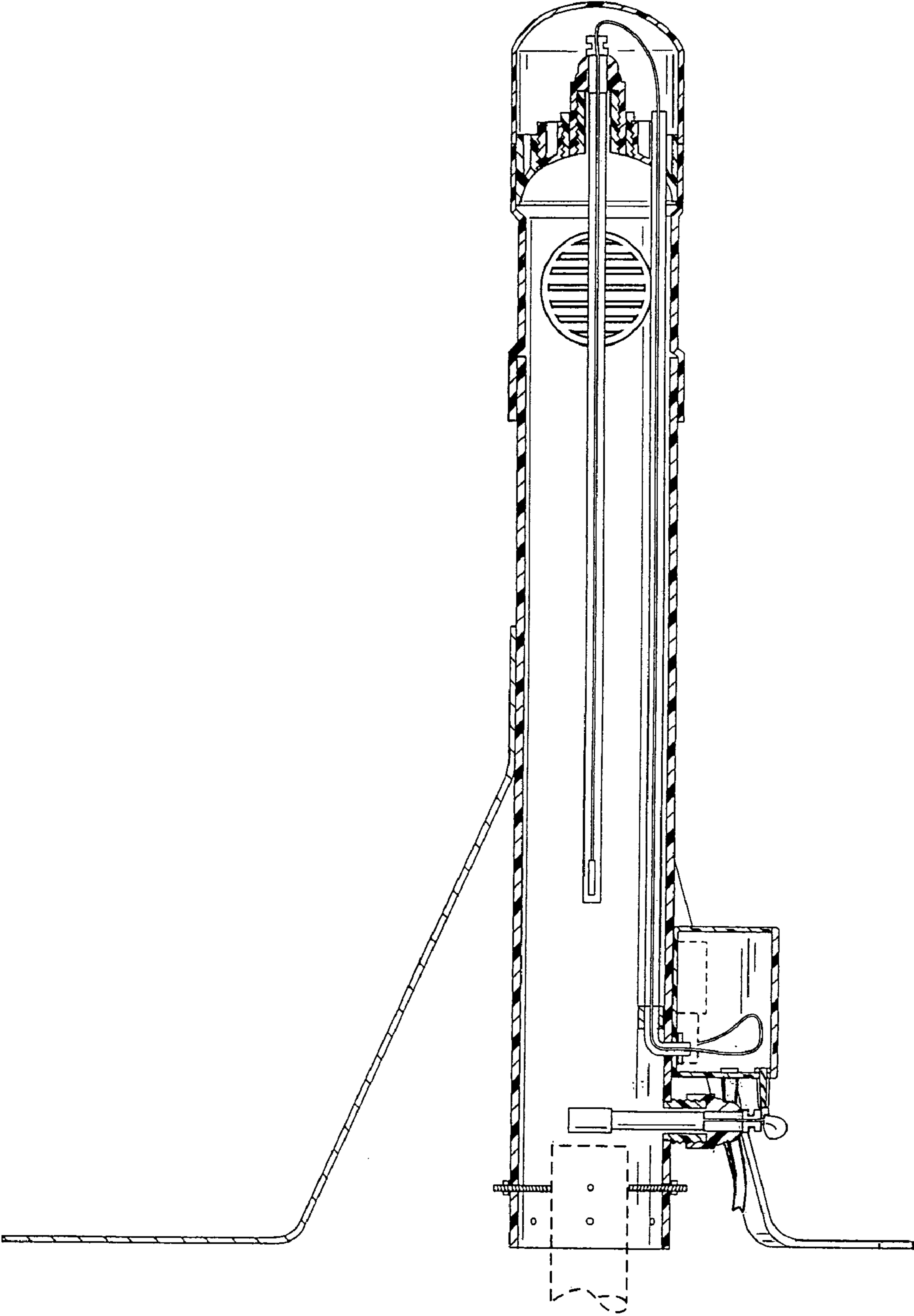


Fig. 11

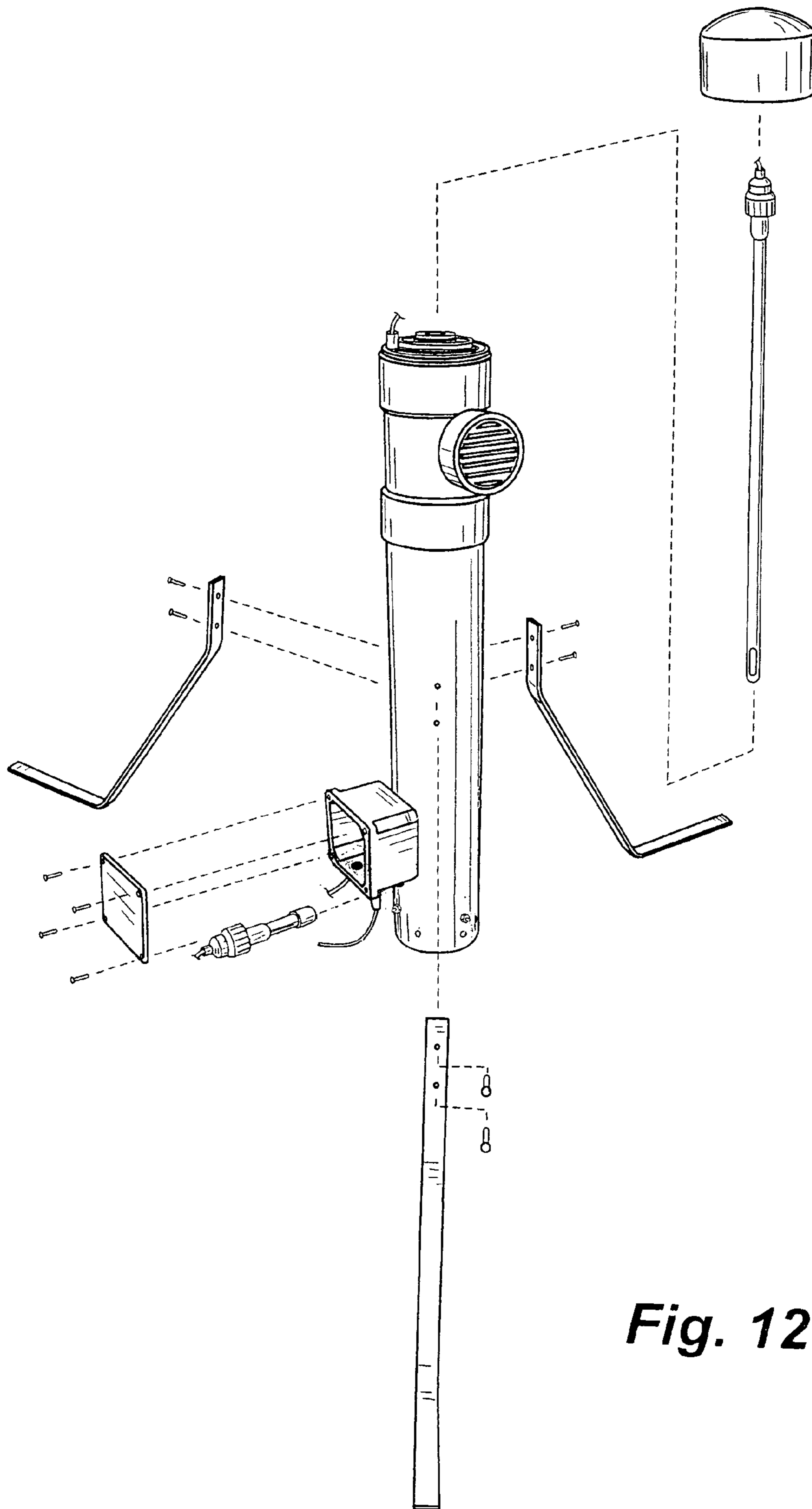


Fig. 12