



US00D618783S

(12) **United States Design Patent**
Kimura et al.

(10) **Patent No.:** **US D618,783 S**
(45) **Date of Patent:** **** Jun. 29, 2010**

(54) **AIR OUTLET**

(75) Inventors: **Keiichi Kimura**, Osaka (JP); **Mitsuo Morita**, Osaka (JP); **Kazuyuki Kasahara**, Osaka (JP); **Katsuhiro Urano**, Osaka (JP)

(73) Assignee: **Kimura Kohki Co., Ltd.**, Osaka (JP)

(**) Term: **14 Years**

(21) Appl. No.: **29/353,384**

(22) Filed: **Jan. 7, 2010**

(30) **Foreign Application Priority Data**

Aug. 5, 2009 (JP) 2009-017885

(51) **LOC (9) Cl.** **23-04**

(52) **U.S. Cl.** **D23/388; D26/77**

(58) **Field of Classification Search** D23/385-395, D23/397, 370-373, 351, 354, 399-403; 454/309, 454/275-277, 284, 287-291; D26/59, 3, D26/11, 51, 72, 75-78
See application file for complete search history.

(56) **References Cited**

U.S. PATENT DOCUMENTS

D56,410 S * 10/1920 Backstad D23/385
D256,156 S * 7/1980 Garritson D23/393
D277,404 S * 1/1985 Peterson et al. D23/371
D398,393 S * 9/1998 Horng D23/370
D418,216 S * 12/1999 Horng D23/370
D543,652 S * 5/2007 Hargreaves D26/76
D544,139 S * 6/2007 Hargreaves D26/76
D544,626 S * 6/2007 Hargreaves D26/76

D544,982 S * 6/2007 Hargreaves D26/76
D544,983 S * 6/2007 Hargreaves D26/76
D544,985 S * 6/2007 Hargreaves D26/78
D545,475 S * 6/2007 Hargreaves D26/76
D574,542 S * 8/2008 Engel D26/76

* cited by examiner

Primary Examiner—T. Chase Nelson

Assistant Examiner—David G Muller

(74) *Attorney, Agent, or Firm*—Muncy, Geissler, Olds & Lowe, PLLC

(57) **CLAIM**

The ornamental design of an air outlet, as shown and described.

DESCRIPTION

FIG. 1 is a perspective view of an air outlet according to the present invention.

FIG. 2 is a front elevational view of the air outlet of FIG. 1.

FIG. 3 is a rear elevational view of the air outlet of FIG. 1.

FIG. 4 is a left side elevational view of the air outlet of FIG. 1.

FIG. 5 is a right side elevational view of the air outlet of FIG. 1.

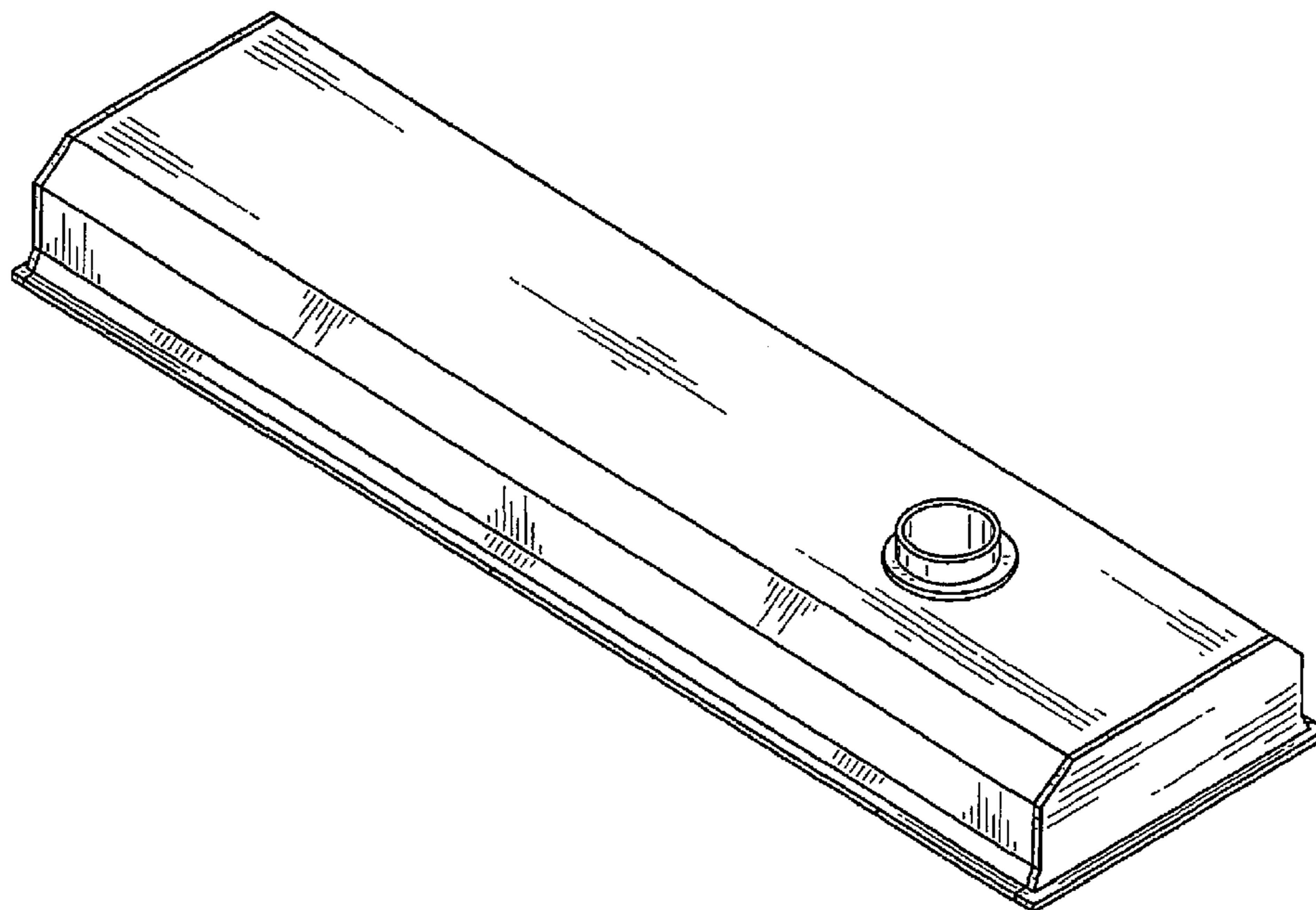
FIG. 6 is a top plan view of the air outlet of FIG. 1.

FIG. 7 is a bottom plan view of the air outlet of FIG. 1.

FIG. 8 is a sectional elevational view taken along line 8—8 in FIG. 2; and,

FIG. 9 is a sectional elevational view taken along line 9—9 in FIG. 6.

1 Claim, 6 Drawing Sheets



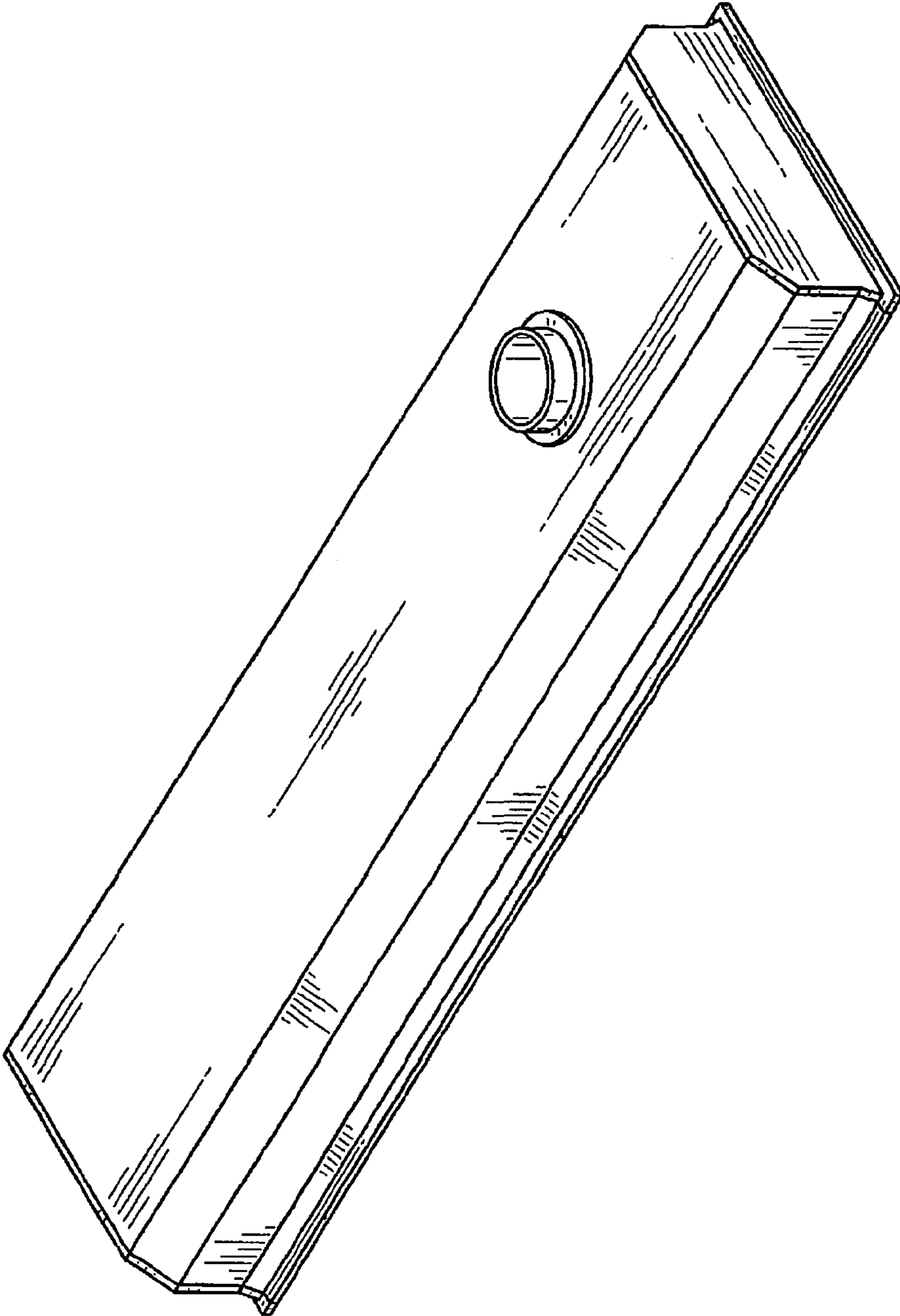


FIG. 1

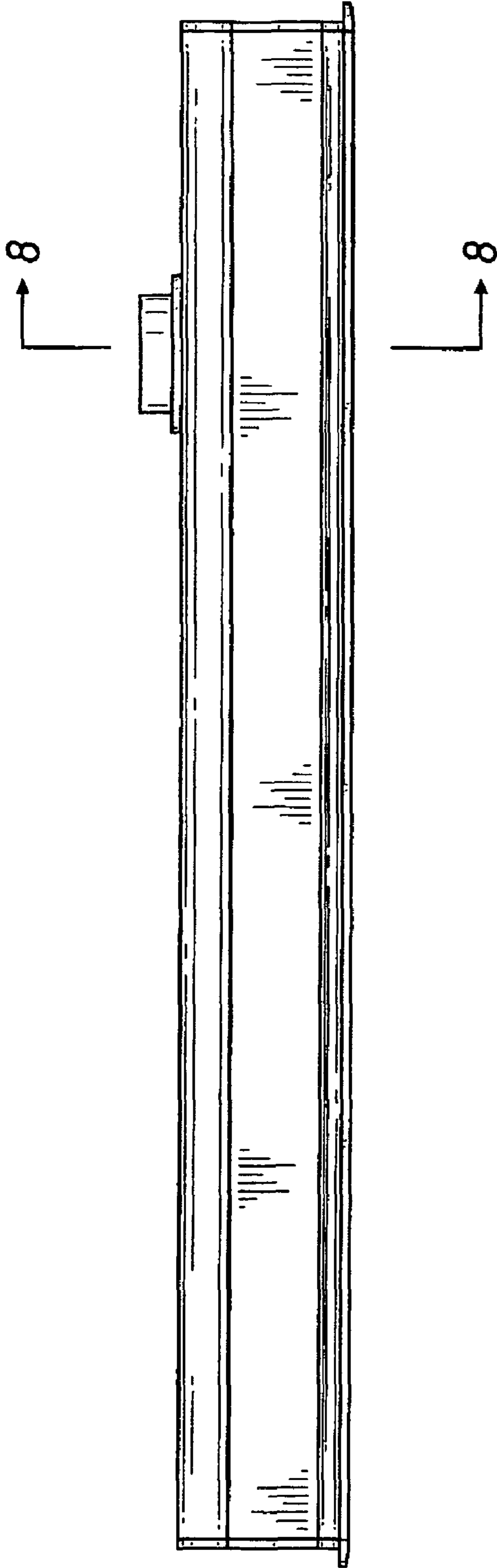


FIG. 2

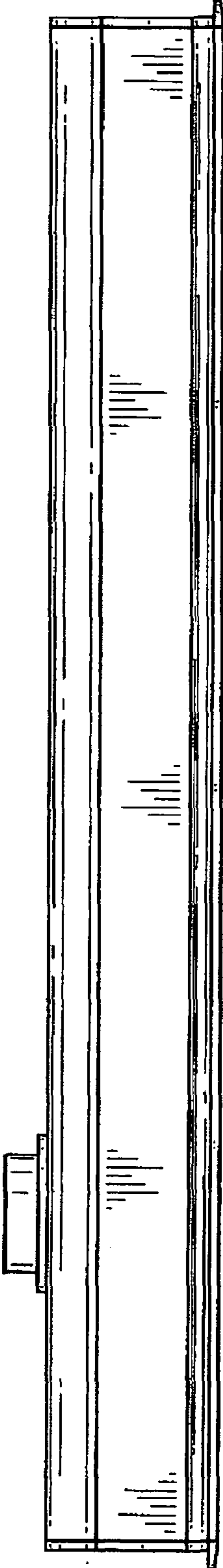


FIG. 3

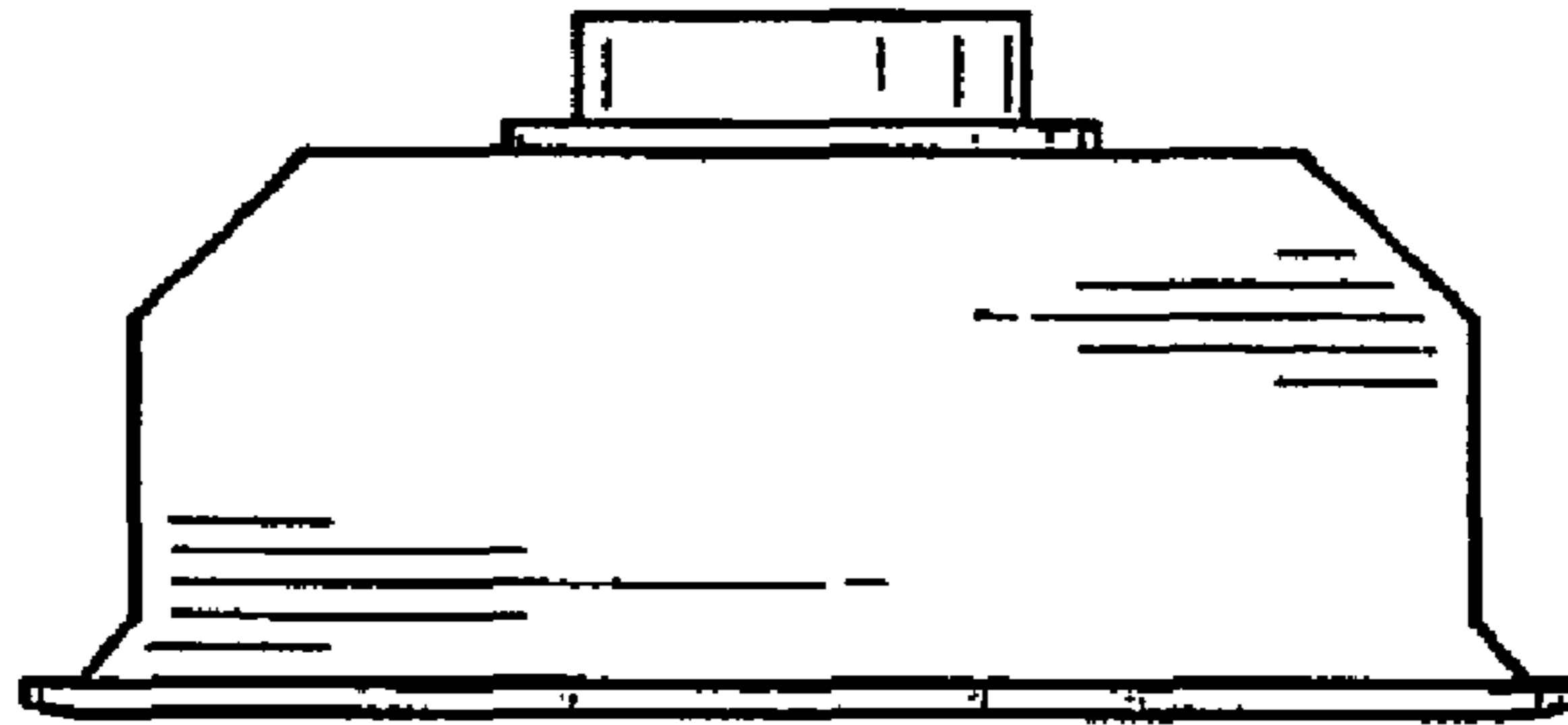


FIG. 4

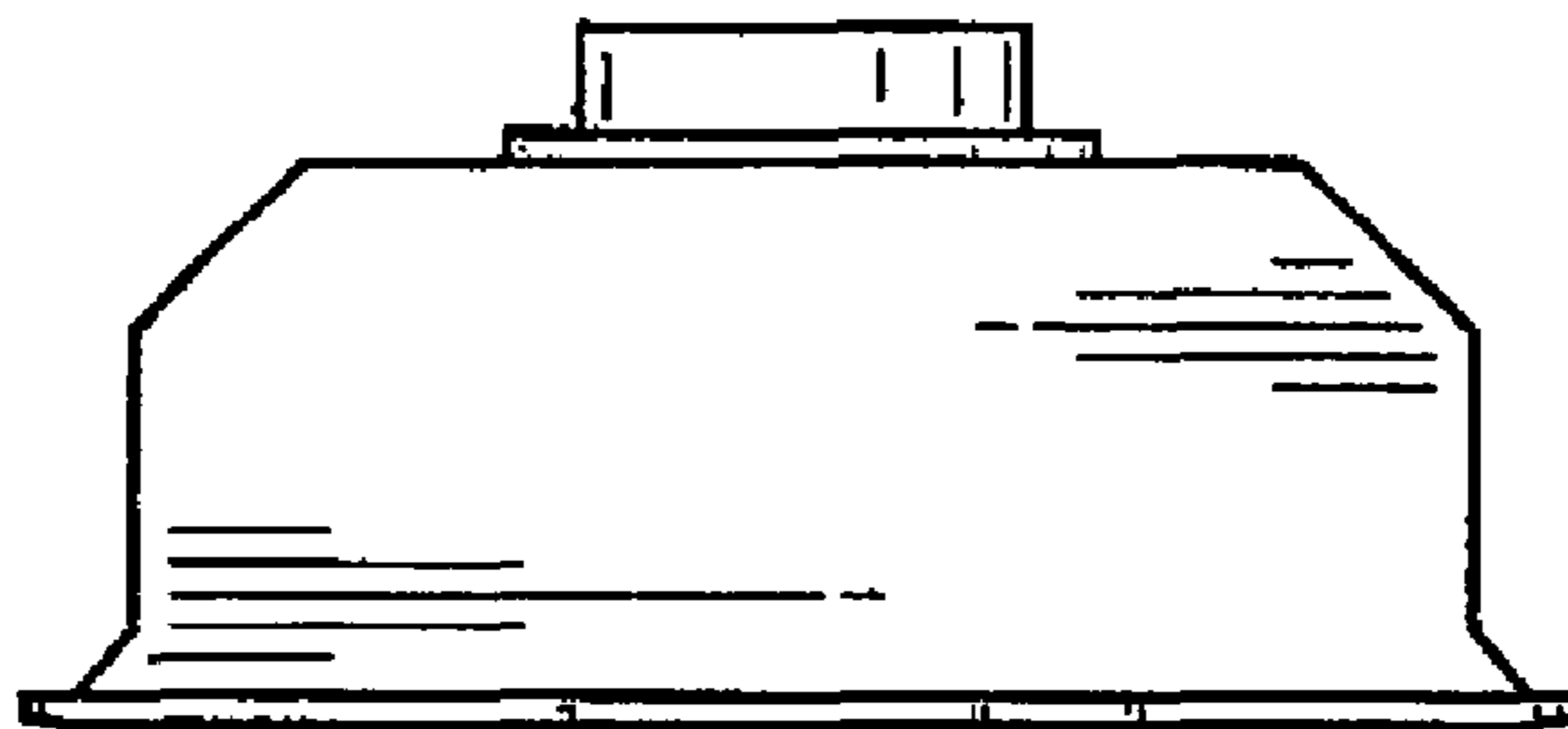


FIG. 5

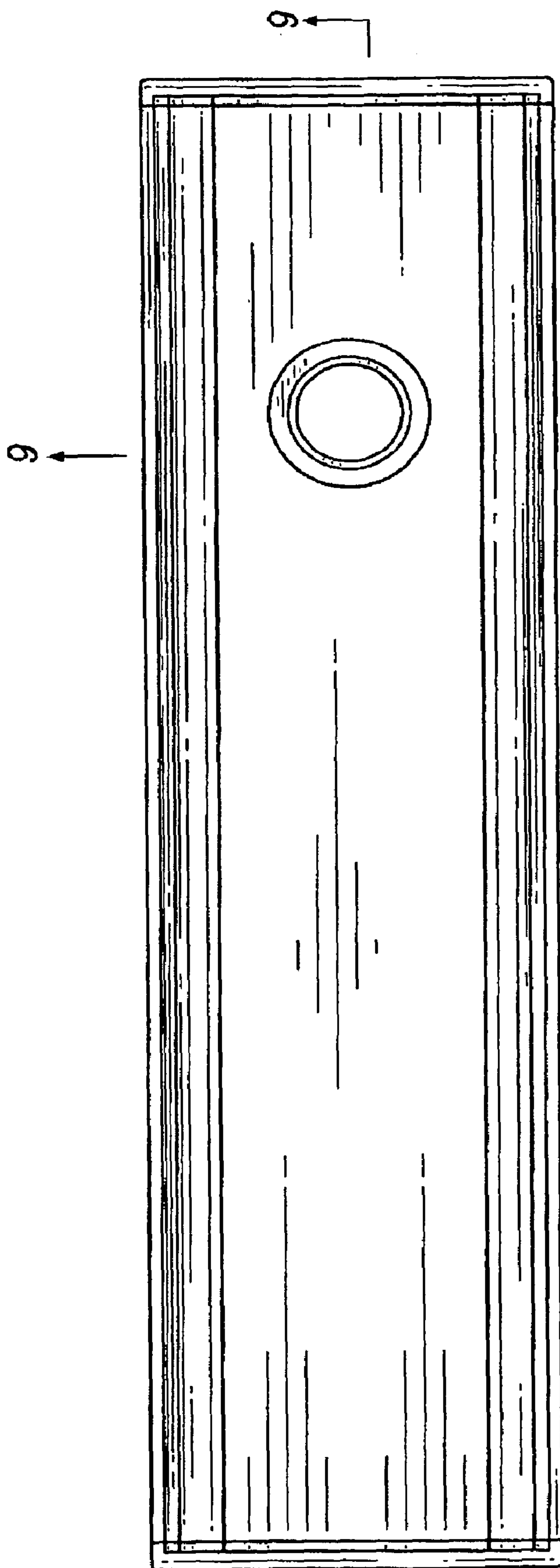


FIG. 6

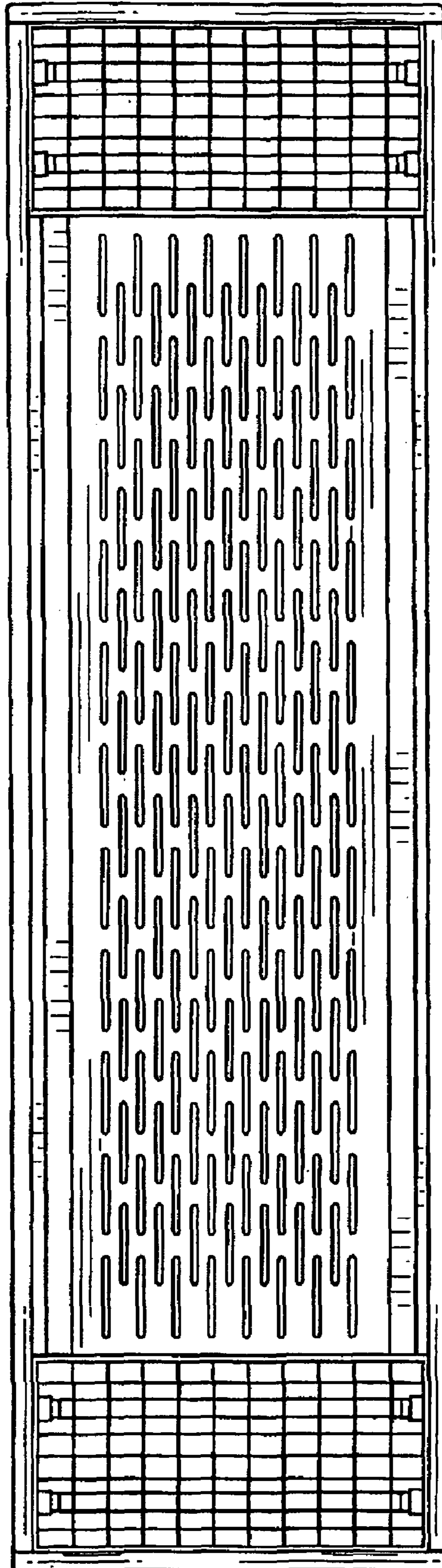


FIG. 7

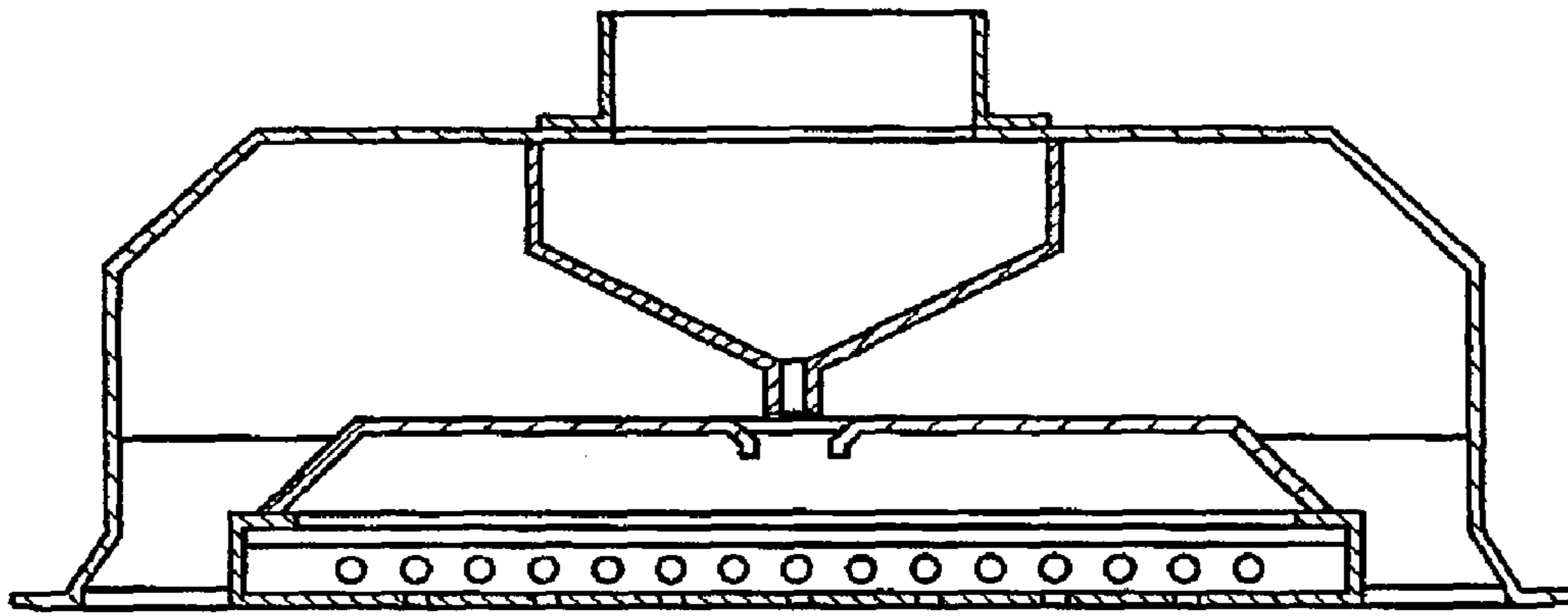


FIG. 8

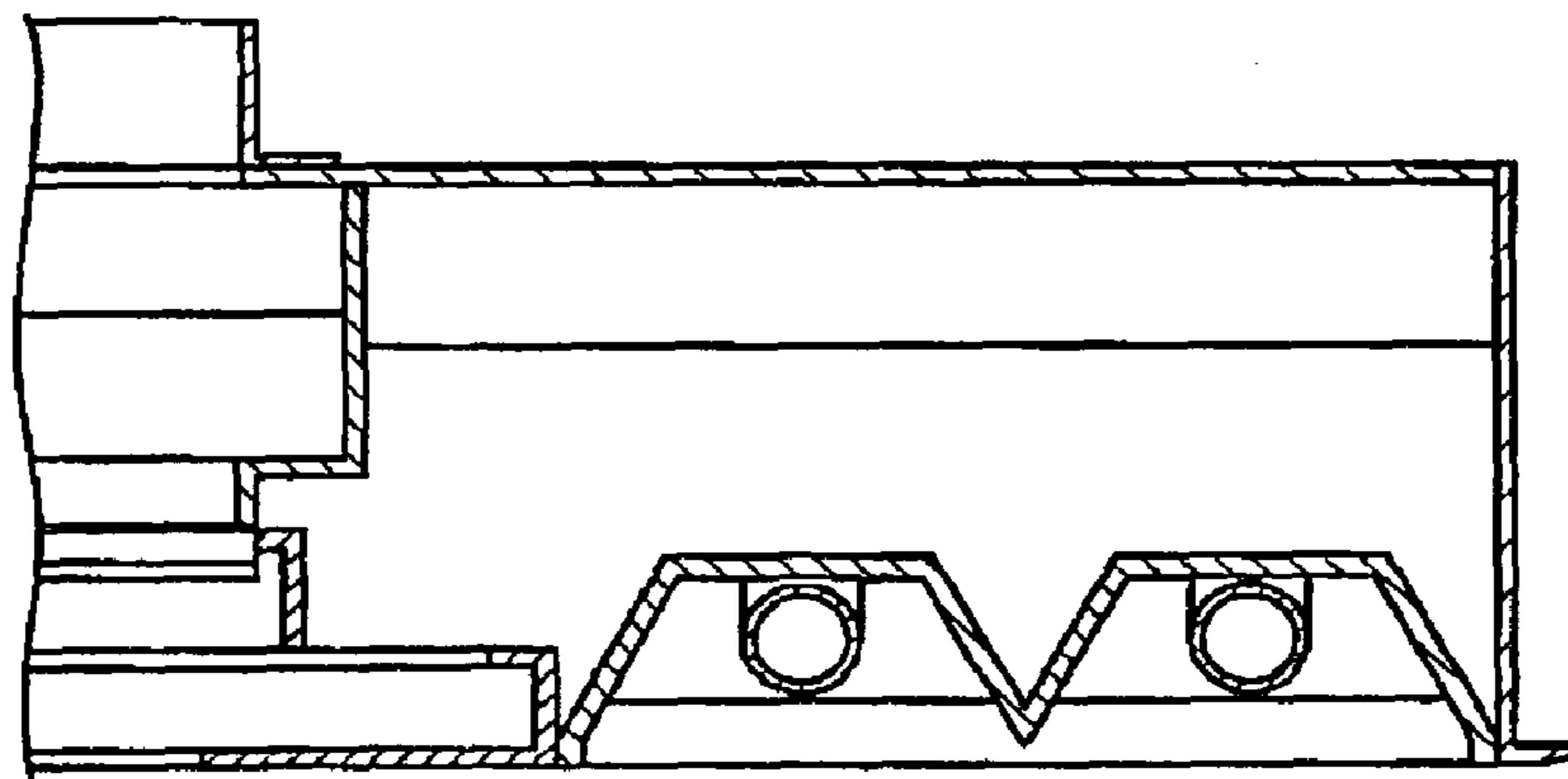


FIG. 9