



US00D618781S

(12) **United States Design Patent**  
**Zibafar**

(10) **Patent No.:** **US D618,781 S**  
(45) **Date of Patent:** **\*\* Jun. 29, 2010**

(54) **WIND-POWERED VENTILATOR**

(57) **CLAIM**

(76) Inventor: **Javad Zibafar**, No. 14 Imam Hasan  
Fourth Alley, North Nabard Avenue,  
Piruzi Avenue, Tehran (IR) 17676-15589

The ornamental design for a wind-powered ventilator, sub-  
stantially as shown and described.

(\*\*) Term: **14 Years**

**DESCRIPTION**

(21) Appl. No.: **29/345,537**

FIG. 1 is a front perspective view of the design, as viewed  
from the top left side thereof.

(22) Filed: **Oct. 17, 2009**

FIG. 2 is a rear perspective view of the design, as viewed from  
the top left side thereof.

(51) **LOC (9) Cl.** ..... **23-04**

FIG. 3 is a front perspective view of the design, as viewed  
from the bottom right side thereof.

(52) **U.S. Cl.** ..... **D23/375**

(58) **Field of Classification Search** ..... D23/370,  
D23/375; 454/20, 21

FIG. 4 is a rear perspective view of the design, as viewed from  
the bottom right side thereof.

See application file for complete search history.

FIG. 5 is a left-side view of the design.

(56) **References Cited**

FIG. 6 is a right-side view of the design.

**U.S. PATENT DOCUMENTS**

FIG. 7 is a top-side view of the design.

1,100,234	A *	6/1914	Ecker	.....	454/21
3,661,070	A *	5/1972	Miller	.....	454/21
D247,250	S *	2/1978	Miller	.....	D23/375

FIG. 8 is a bottom-side view of the design.

FIG. 9 is a front-side view of the design; and,

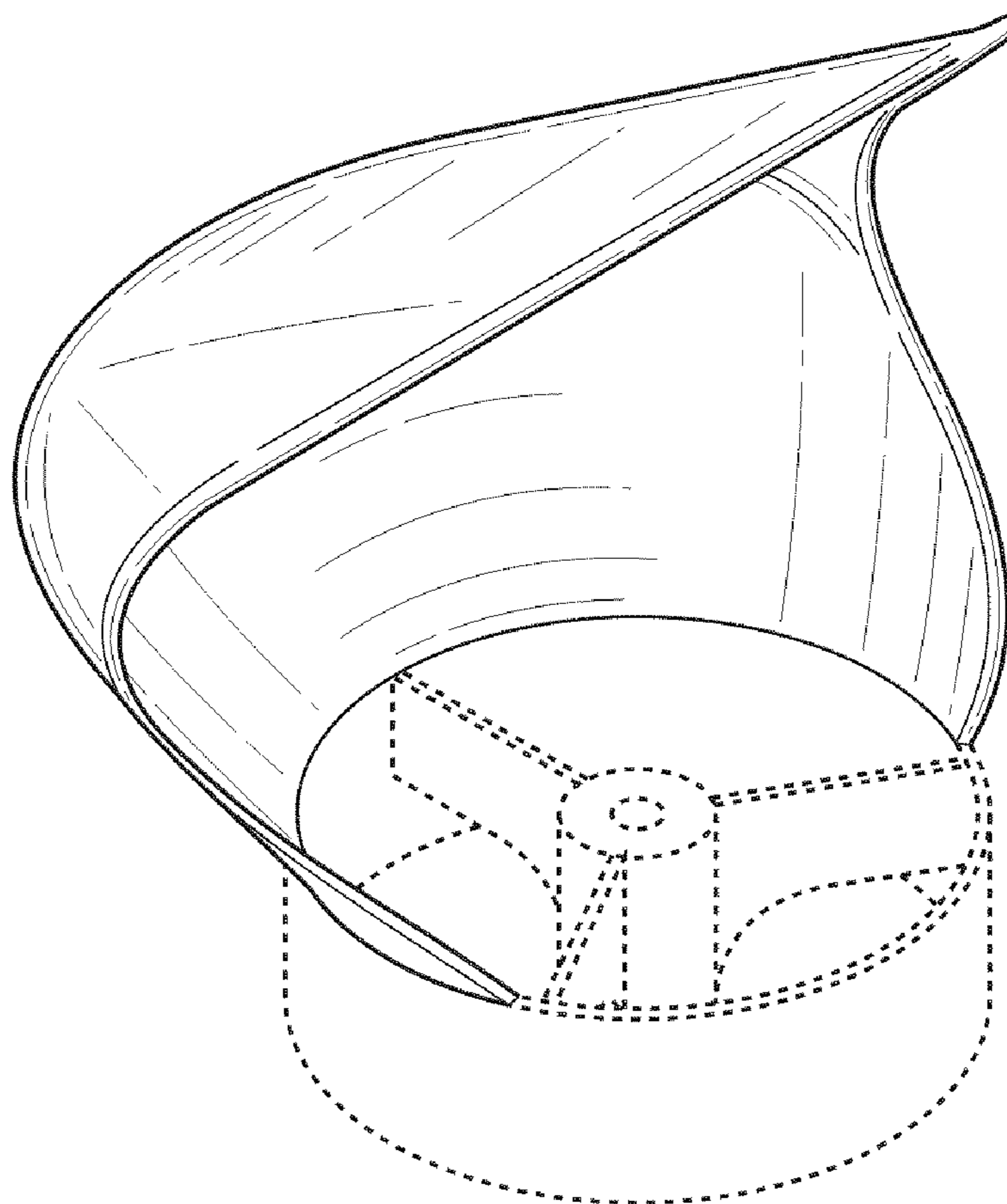
FIG. 10 is a back-side view of the design.

\* cited by examiner

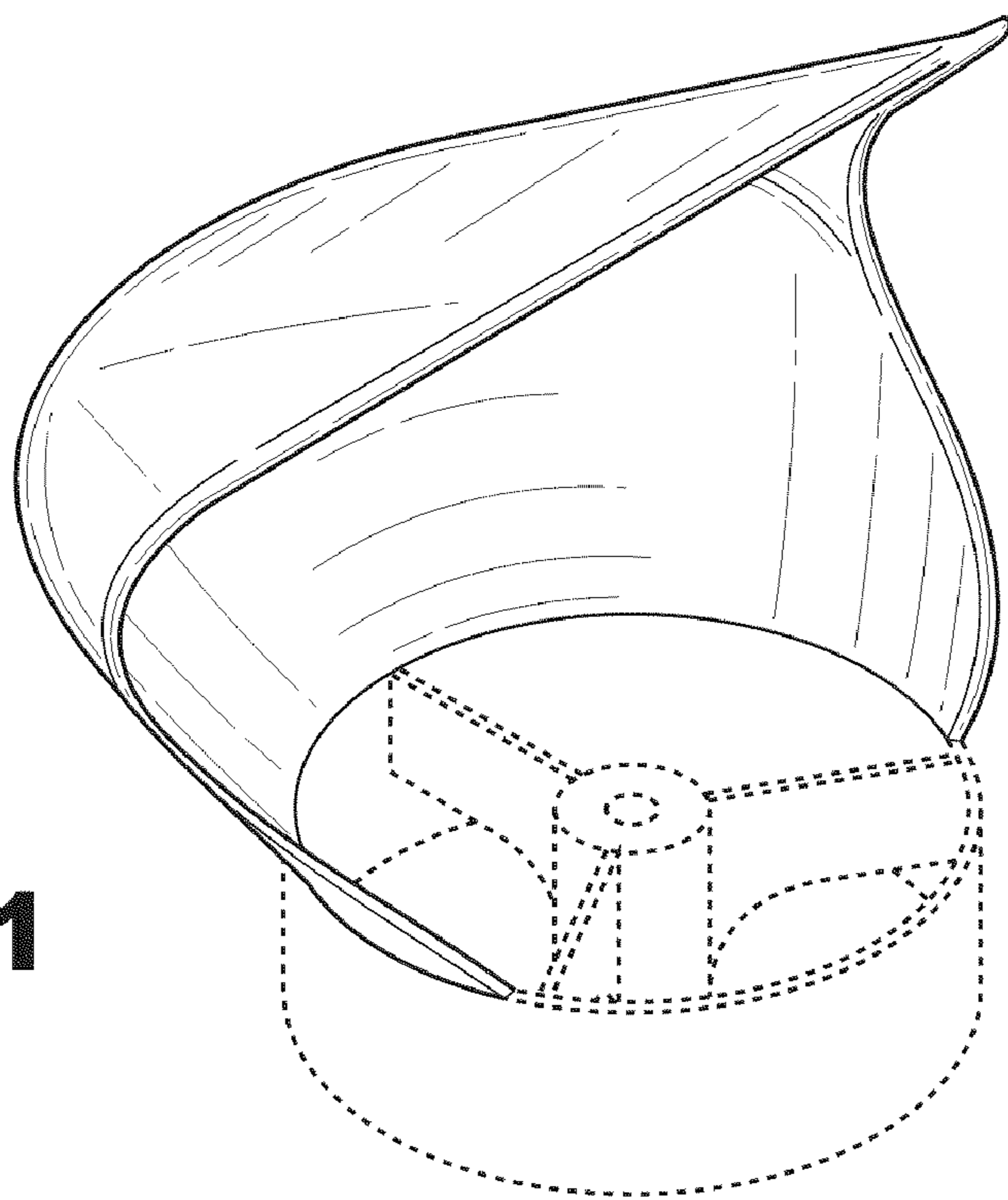
The broken lines define an example coupling of the claimed  
design and form no part of the claimed design.

*Primary Examiner*—Lisa P Lichtenstein  
(74) *Attorney, Agent, or Firm*—International IP Group, LLC;  
Hussein Akhavannik

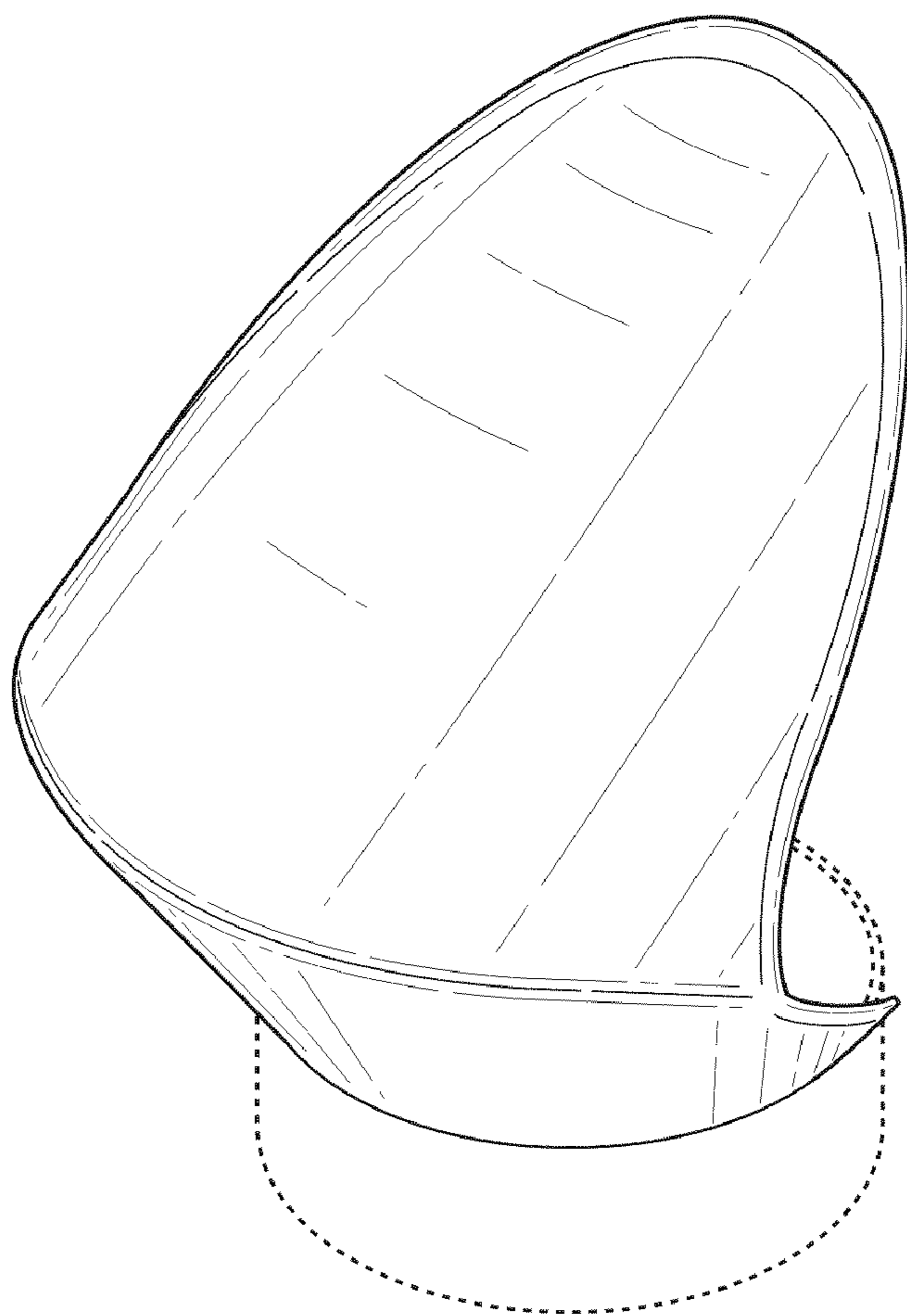
**1 Claim, 5 Drawing Sheets**



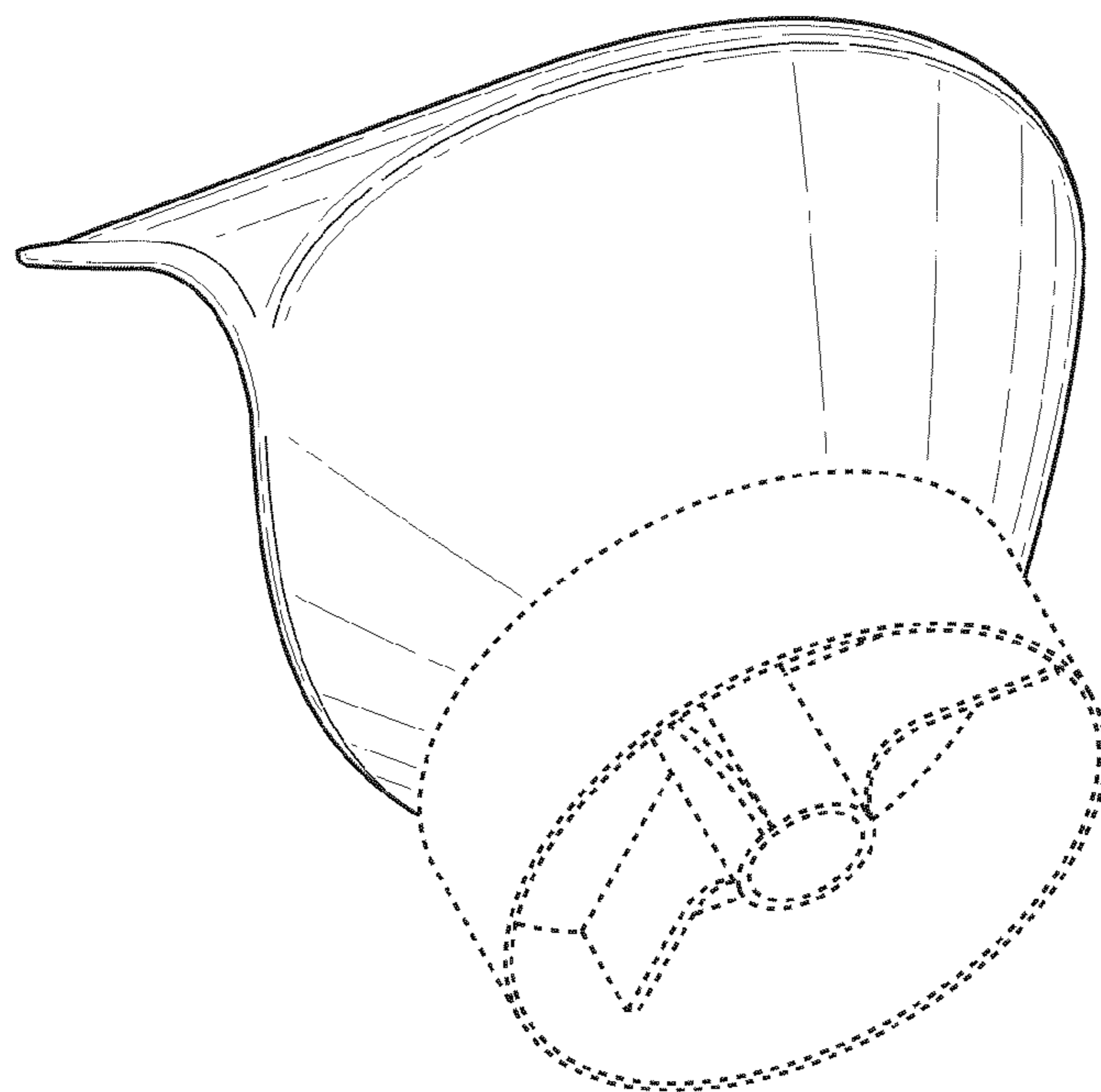
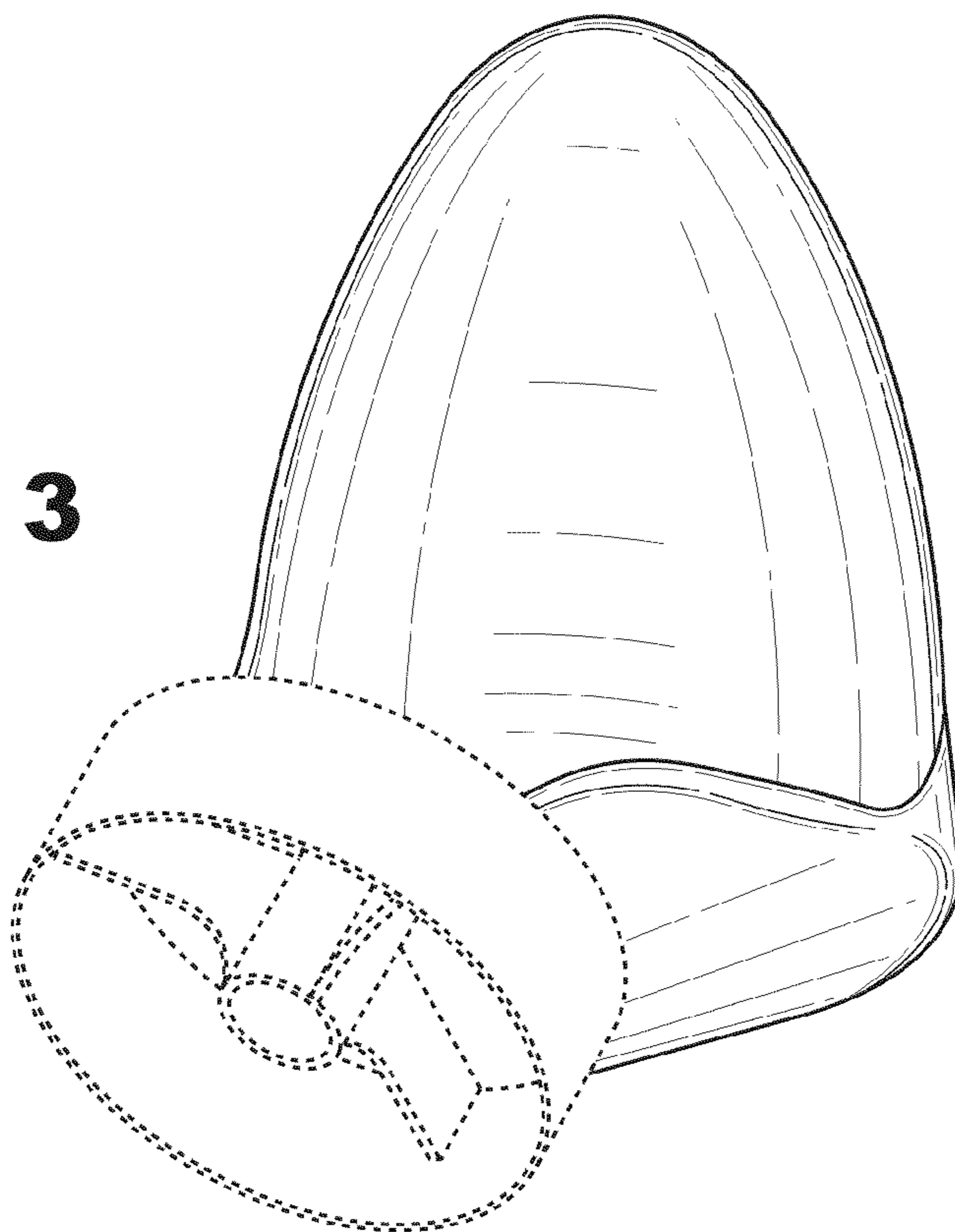
**FIG. 1**



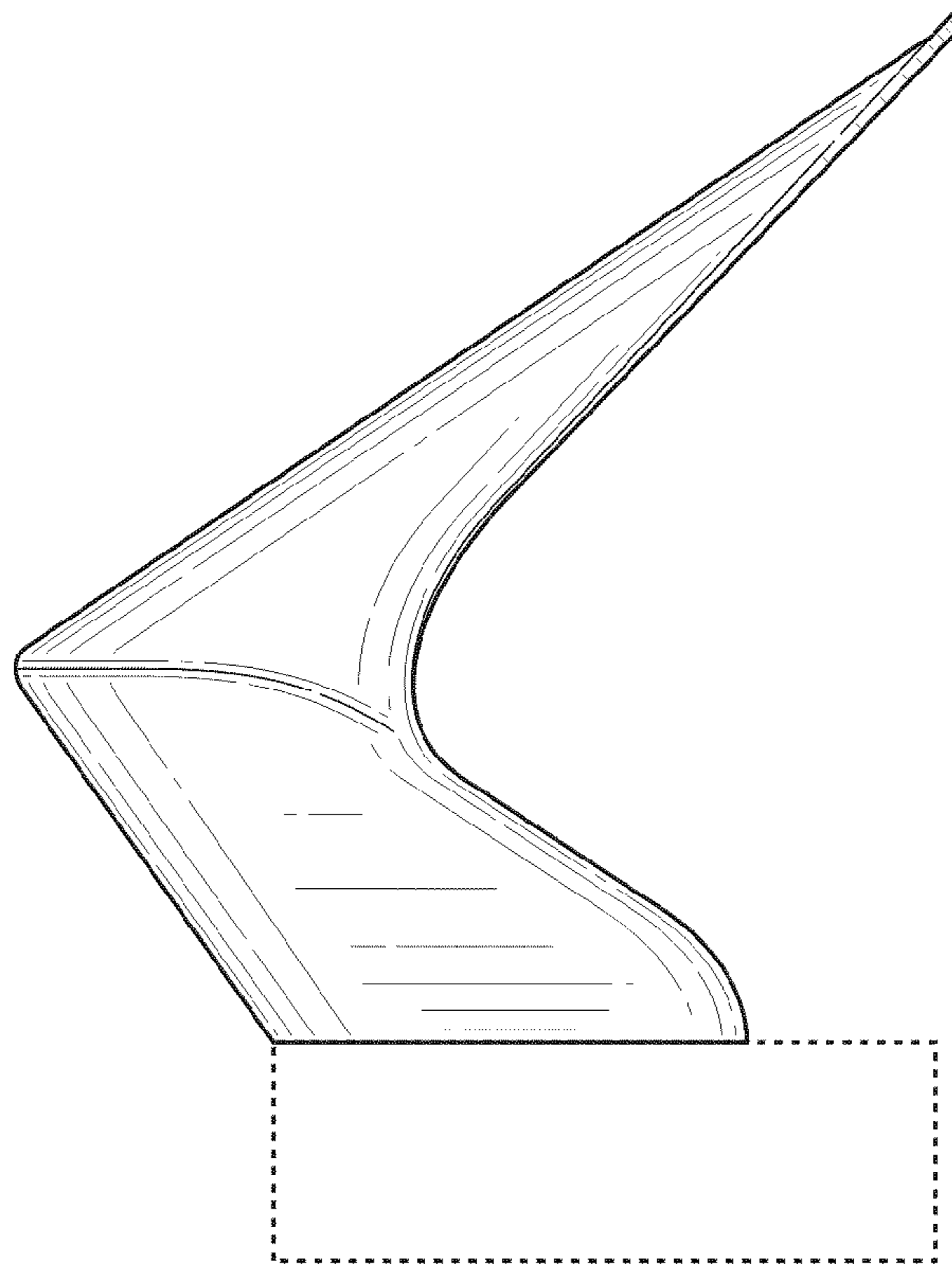
**FIG. 2**



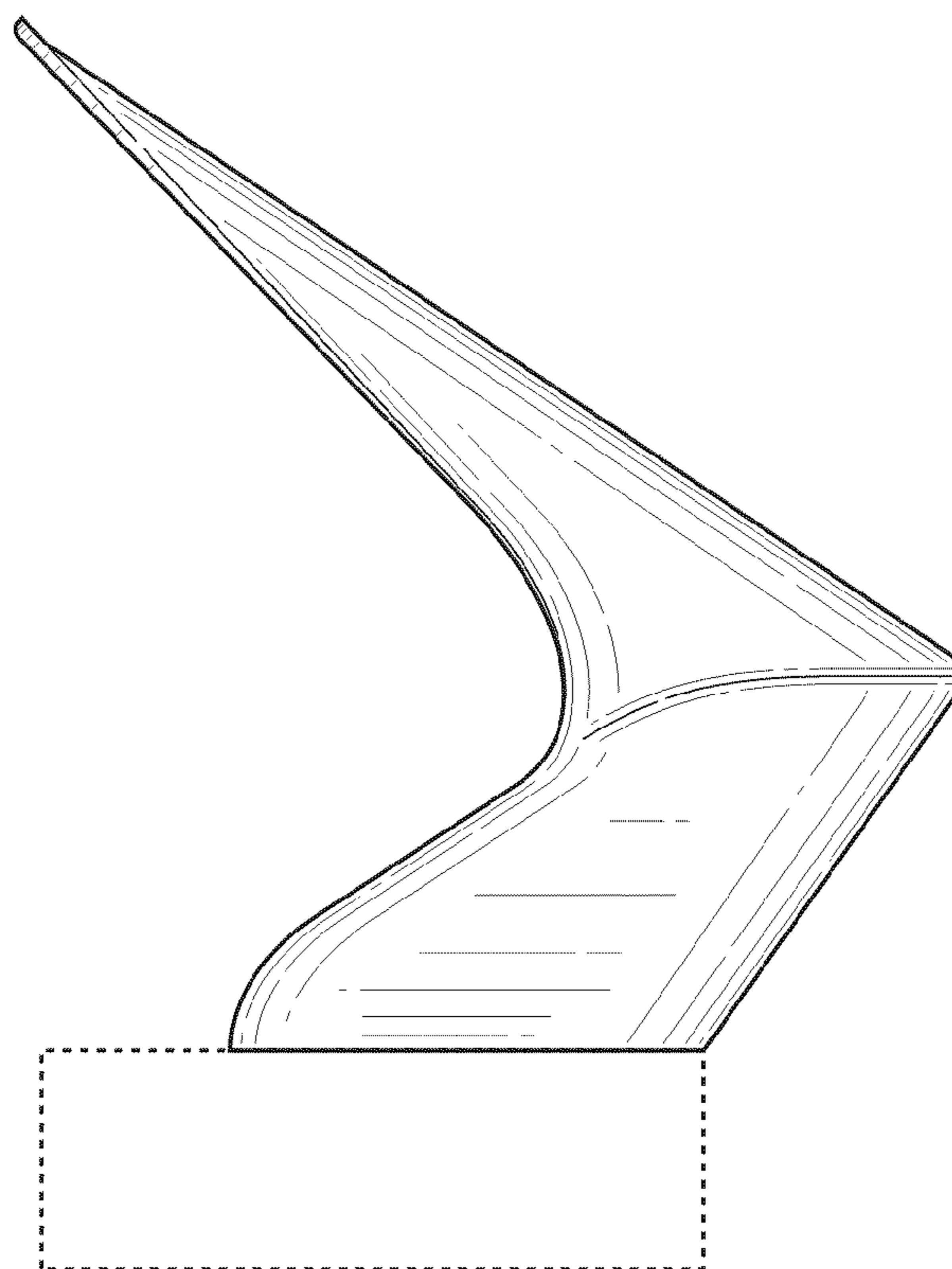
**FIG. 3**



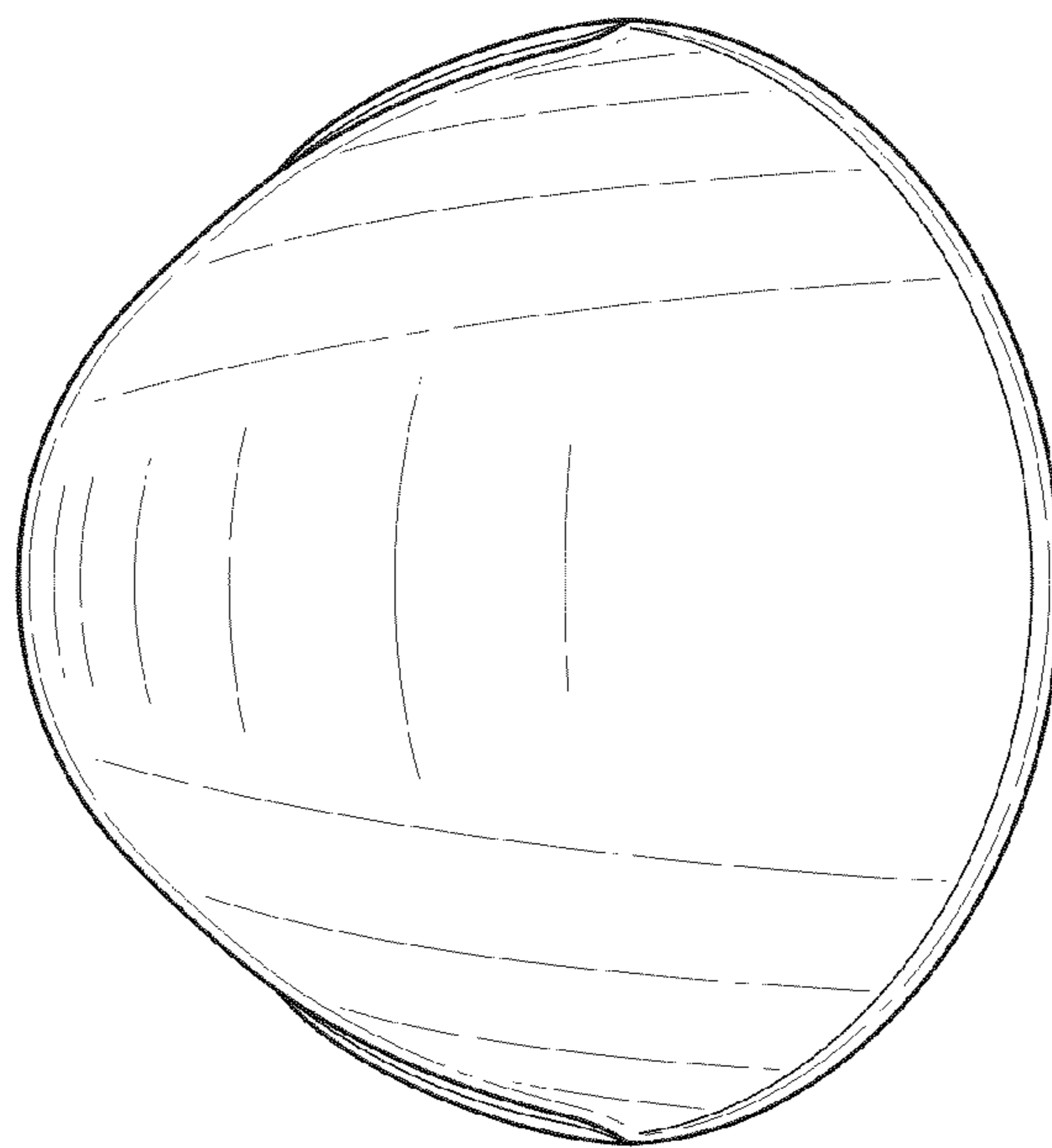
**FIG. 4**



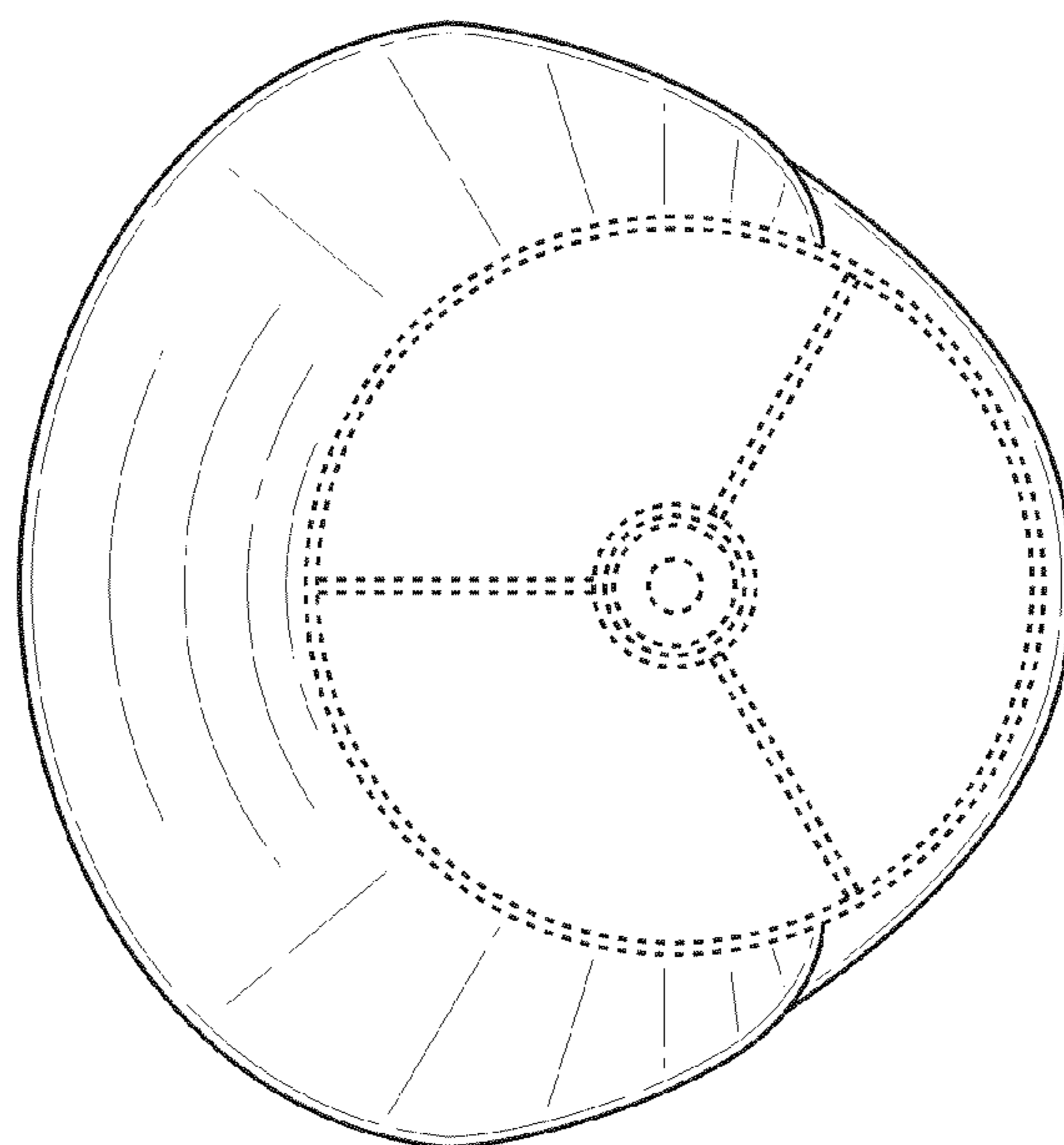
**FIG. 5**



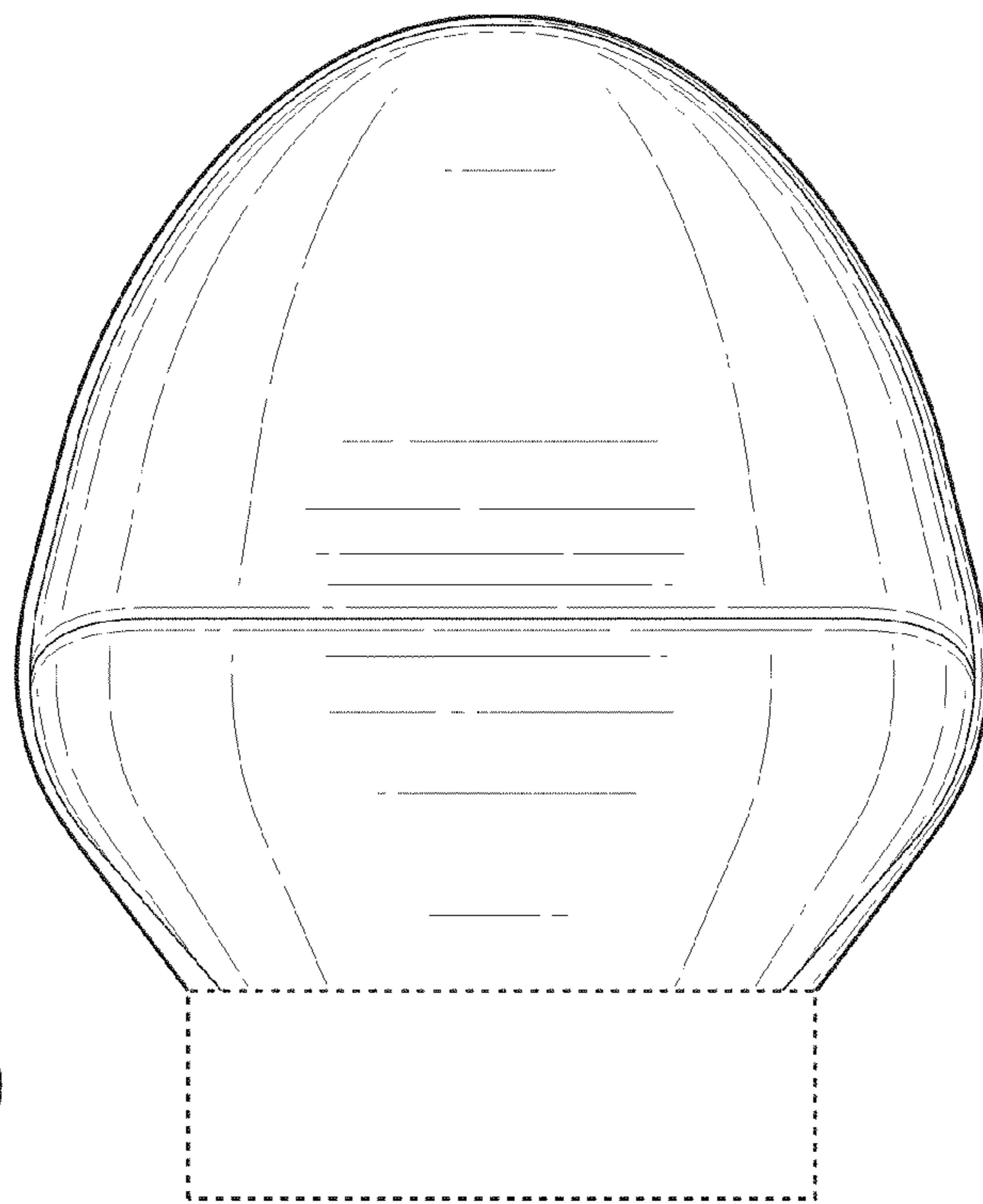
**FIG. 6**



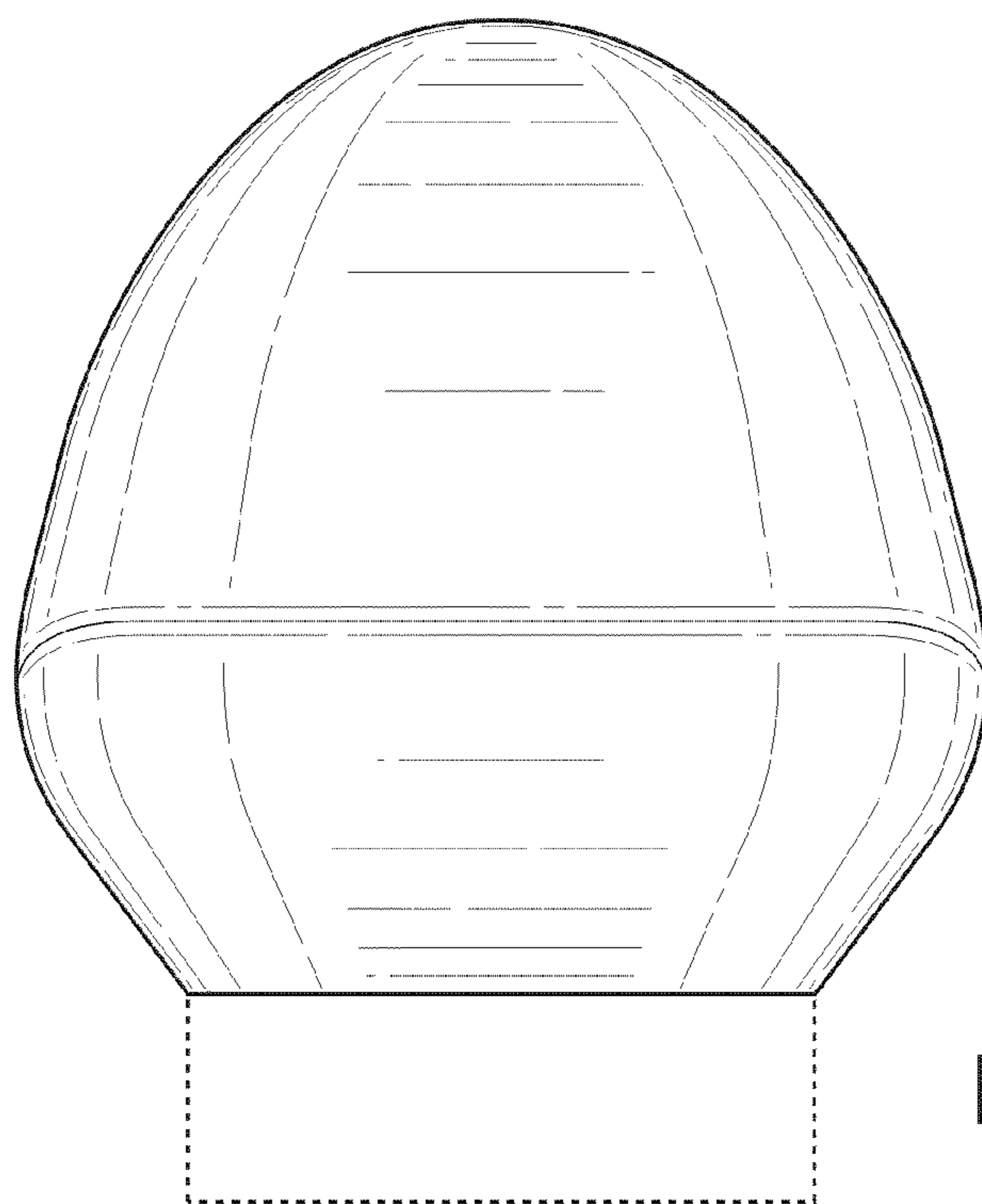
**FIG. 7**



**FIG. 8**



**FIG. 9**



**FIG. 10**