



US00D618780S

(12) **United States Design Patent**
Williams, Sr.

(10) **Patent No.:** **US D618,780 S**
(45) **Date of Patent:** **** Jun. 29, 2010**

(54) **OFF RIDGE VENT**

(76) Inventor: **Reuben William Williams, Sr.**, 1410 US Hwy. 92 West, Auburndale, FL (US) 33823

(**) Term: **14 Years**

(21) Appl. No.: **29/274,320**

(22) Filed: **Apr. 16, 2007**

(51) **LOC (9) Cl.** **23-04**

(52) **U.S. Cl.** **D23/373**

(58) **Field of Classification Search** D23/393, D23/373, 370, 371, 387, 391, 324; 454/136, 454/141, 146, 143, 153, 162, 364-368, 250-253, 454/78; 52/98, 199, 302.1, 57; D12/404
See application file for complete search history.

(56) **References Cited**

U.S. PATENT DOCUMENTS

D30,059 S *	1/1899	Petersen et al.	D23/387
2,300,842 A *	11/1942	Leslie	454/366
2,490,220 A *	12/1949	Leslie	454/366
2,551,223 A *	5/1951	Schneider	454/366
2,551,965 A *	5/1951	Petersen et al.	454/366

D285,834 S *	9/1986	Morgan	D23/373
5,591,080 A *	1/1997	Ward	454/366
5,630,752 A *	5/1997	Gubash	454/366
D433,496 S *	11/2000	Hadley	D23/373
D448,468 S *	9/2001	Koessler	D23/373
6,733,381 B1 *	5/2004	Ploeger	454/366
D549,316 S *	8/2007	O'Hagin et al.	D23/393
2005/0233691 A1 *	10/2005	Horton	454/366

* cited by examiner

Primary Examiner—T. Chase Nelson
Assistant Examiner—David G Muller

(57) **CLAIM**

The ornamental design for off ridge vent, as shown and described.

DESCRIPTION

FIG. 1. Is a front oblique view of an off ridge vent according to design.

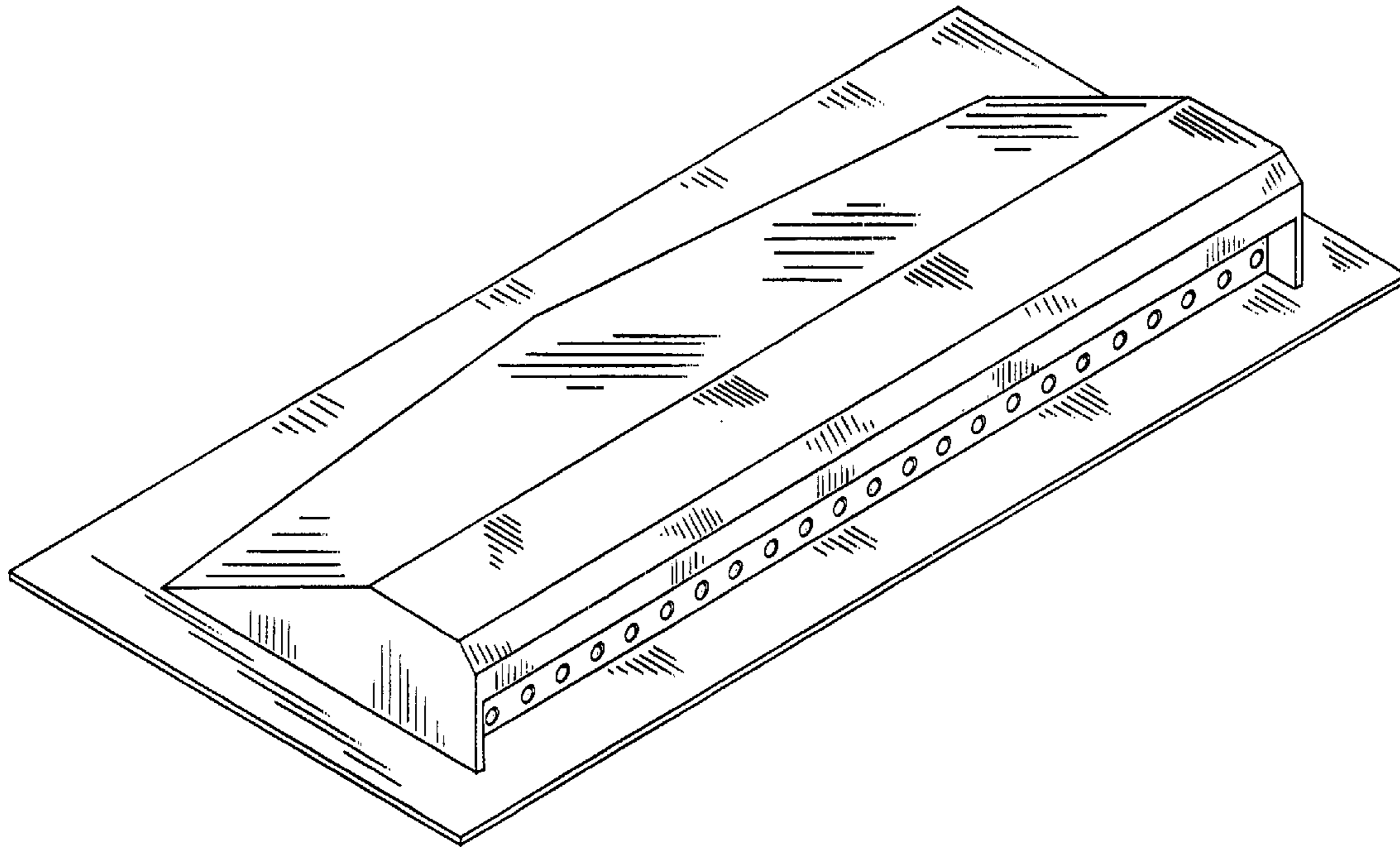
FIG. 2. Is a top plan view thereof.

FIG. 3. Is a front elevation thereof.

FIG. 4. Is a left side elevation thereof; and,

FIG. 5. Is a right side elevation thereof.

1 Claim, 3 Drawing Sheets



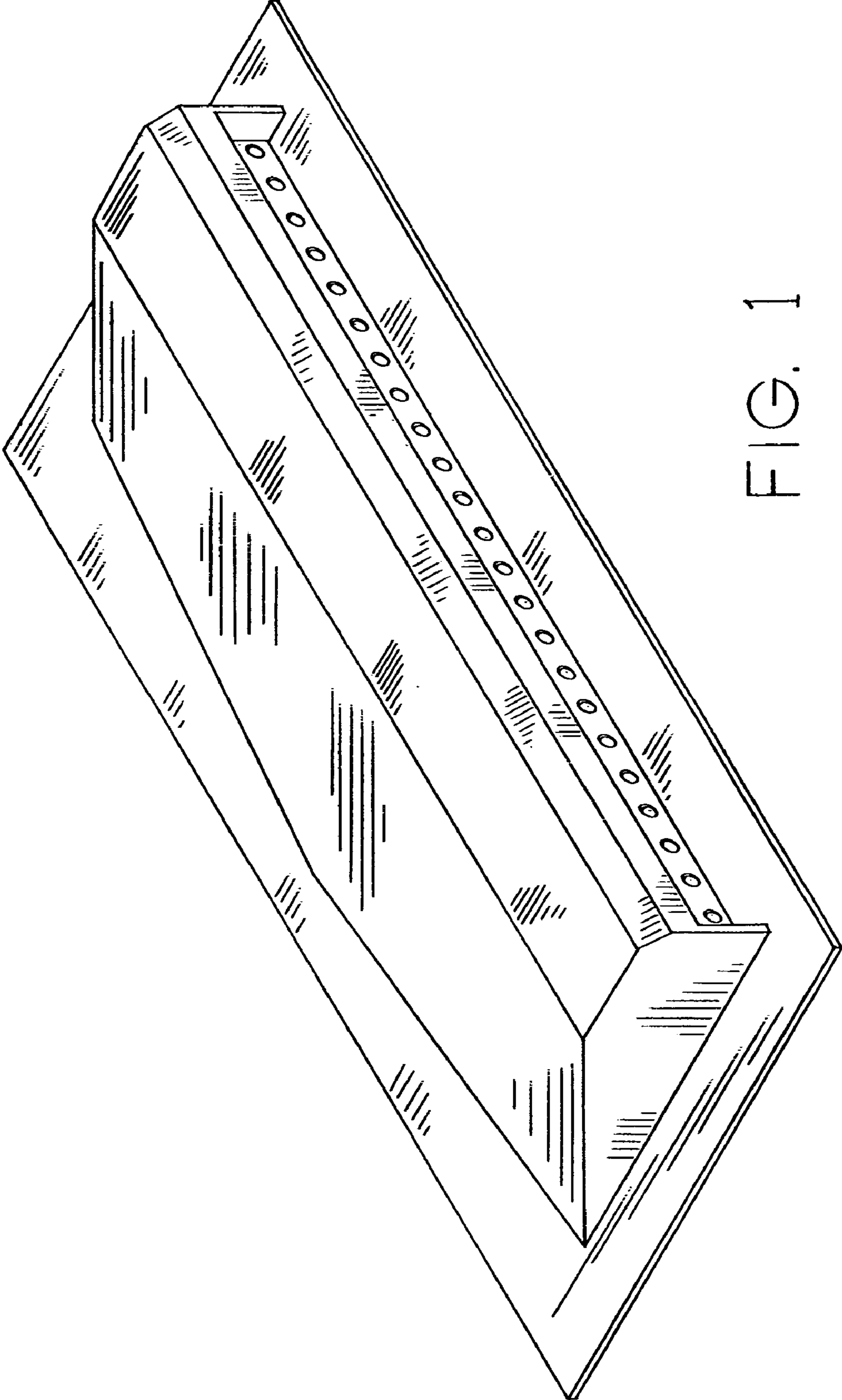


FIG. 1

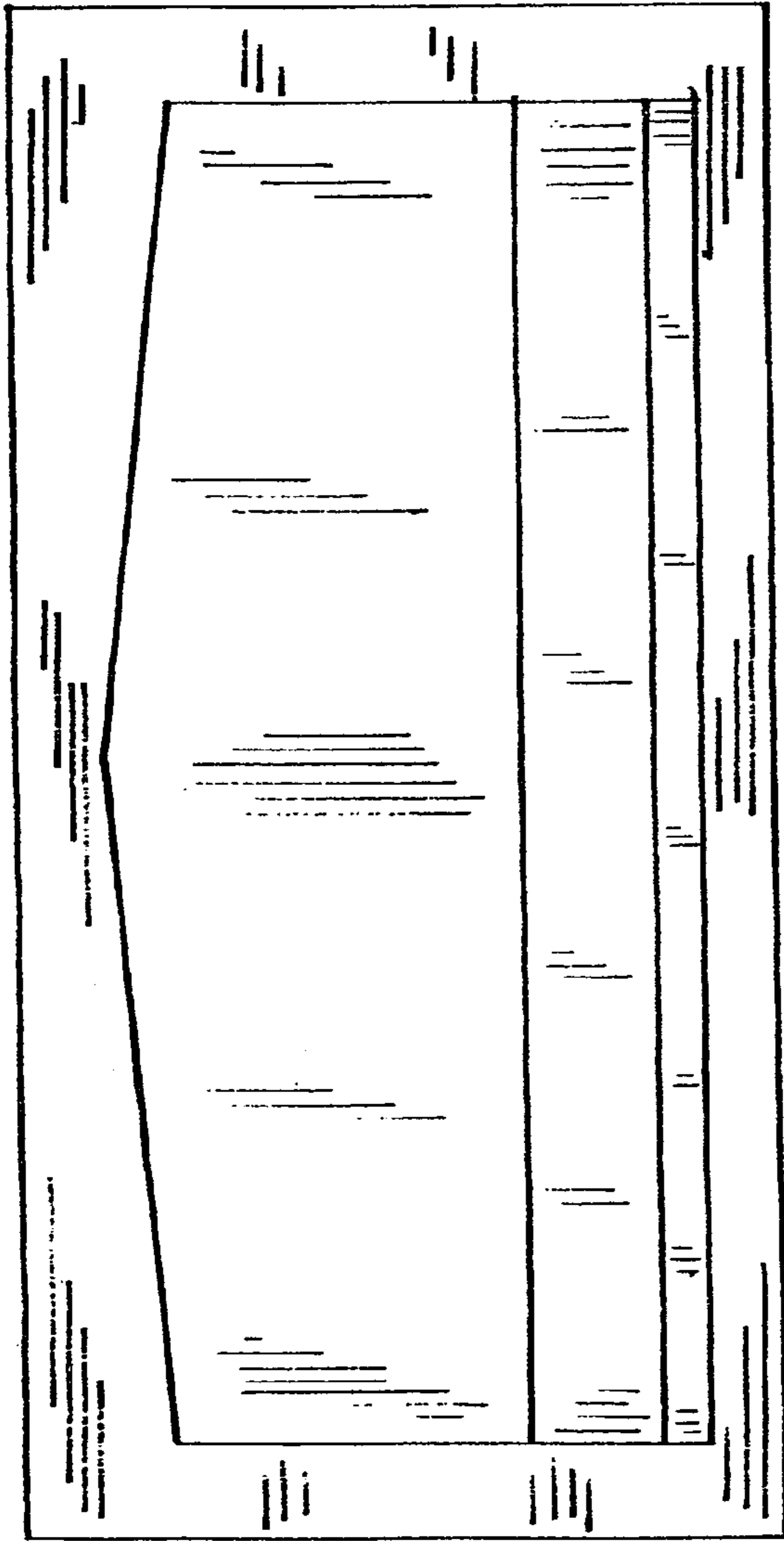


FIG 2

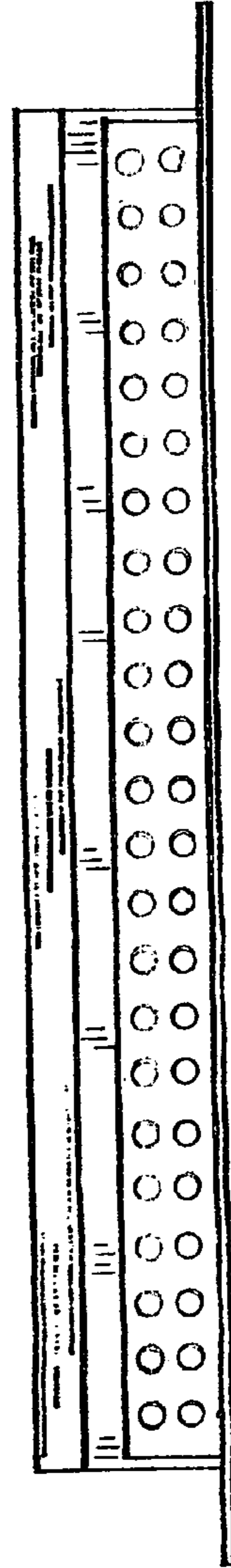


FIG 3

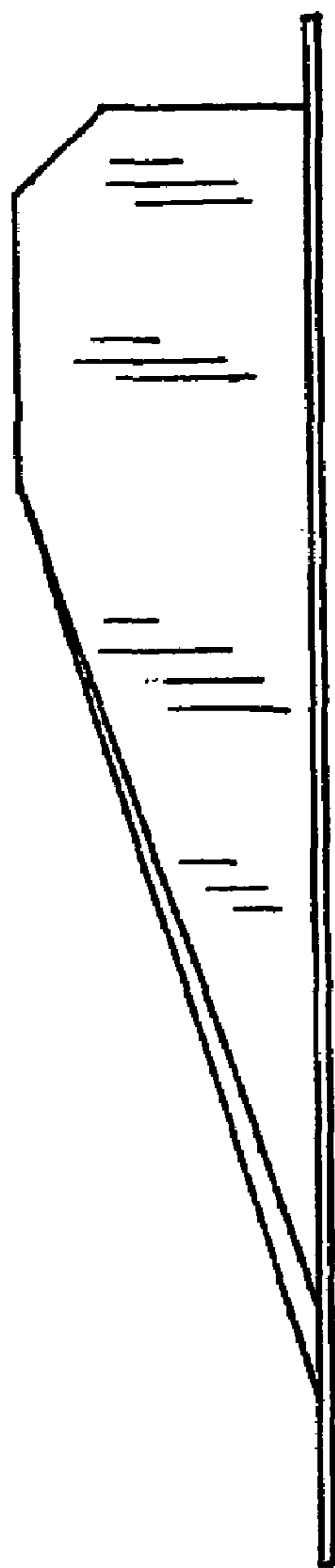


FIG. 4



FIG. 5