



US00D618778S

(12) **United States Design Patent**  
**Kuepper et al.**

(10) **Patent No.:** **US D618,778 S**  
(45) **Date of Patent:** **\*\* Jun. 29, 2010**

(54) **AIR CONDITIONER**

(75) Inventors: **Michael Kuepper**, Pforzheim (DE);  
**Alexander Schlag**, Pforzheim (DE)

(73) Assignee: **Daikin Industries Ltd.**, Osaka-Shi,  
Osaka (JP)

(\*\*) Term: **14 Years**

(21) Appl. No.: **29/347,365**

(22) Filed: **Dec. 15, 2009**

(30) **Foreign Application Priority Data**

Jul. 27, 2009 (JP) ..... 2009-017057

(51) **LOC (9) Cl.** ..... **23-04**

(52) **U.S. Cl.** ..... **D23/351**

(58) **Field of Classification Search** ..... D23/351-354,  
D23/385, 355, 357, 361; 312/236; 62/259.1,  
62/259.4, 262-263, 304; 454/330-331, 349-350  
See application file for complete search history.

(56) **References Cited**

**U.S. PATENT DOCUMENTS**

D502,255 S \* 2/2005 Kim ..... D23/351  
D529,156 S \* 9/2006 Murai ..... D23/351  
D539,405 S \* 3/2007 Jung et al. .... D23/351  
D539,883 S \* 4/2007 Lee et al. .... D23/351  
D553,726 S \* 10/2007 Niki ..... D23/351  
D558,865 S \* 1/2008 Yoo et al. .... D23/351

D580,033 S \* 11/2008 Seki ..... D23/351  
D591,409 S \* 4/2009 Kashimoto ..... D23/351  
D591,410 S \* 4/2009 Kashimoto ..... D23/351  
D595,397 S \* 6/2009 Park et al. .... D23/351  
D605,270 S \* 12/2009 Vibrans et al. .... D23/351

\* cited by examiner

*Primary Examiner*—Brian N Vinson

(74) *Attorney, Agent, or Firm*—Manabu Kanesaka

(57) **CLAIM**

The ornamental design for an air conditioner, as shown and described.

**DESCRIPTION**

FIG. 1 is a bottom, front, and right side perspective view of an air conditioner showing our new design;

FIG. 2 is a front elevational view thereof;

FIG. 3 is a rear elevational view thereof;

FIG. 4 is a top plan view thereof;

FIG. 5 is a bottom plan view thereof;

FIG. 6 is a left side elevational view thereof;

FIG. 7 is a right side elevational view thereof; and,

FIG. 8 is an enlarged vertical cross-sectional view thereof taken in the direction of line 8—8 in FIG. 2, the broken-line disclosure of internal elements being understood to be part of the article in which the claimed design is embodied, but which forms no part of the claimed design.

**1 Claim, 6 Drawing Sheets**

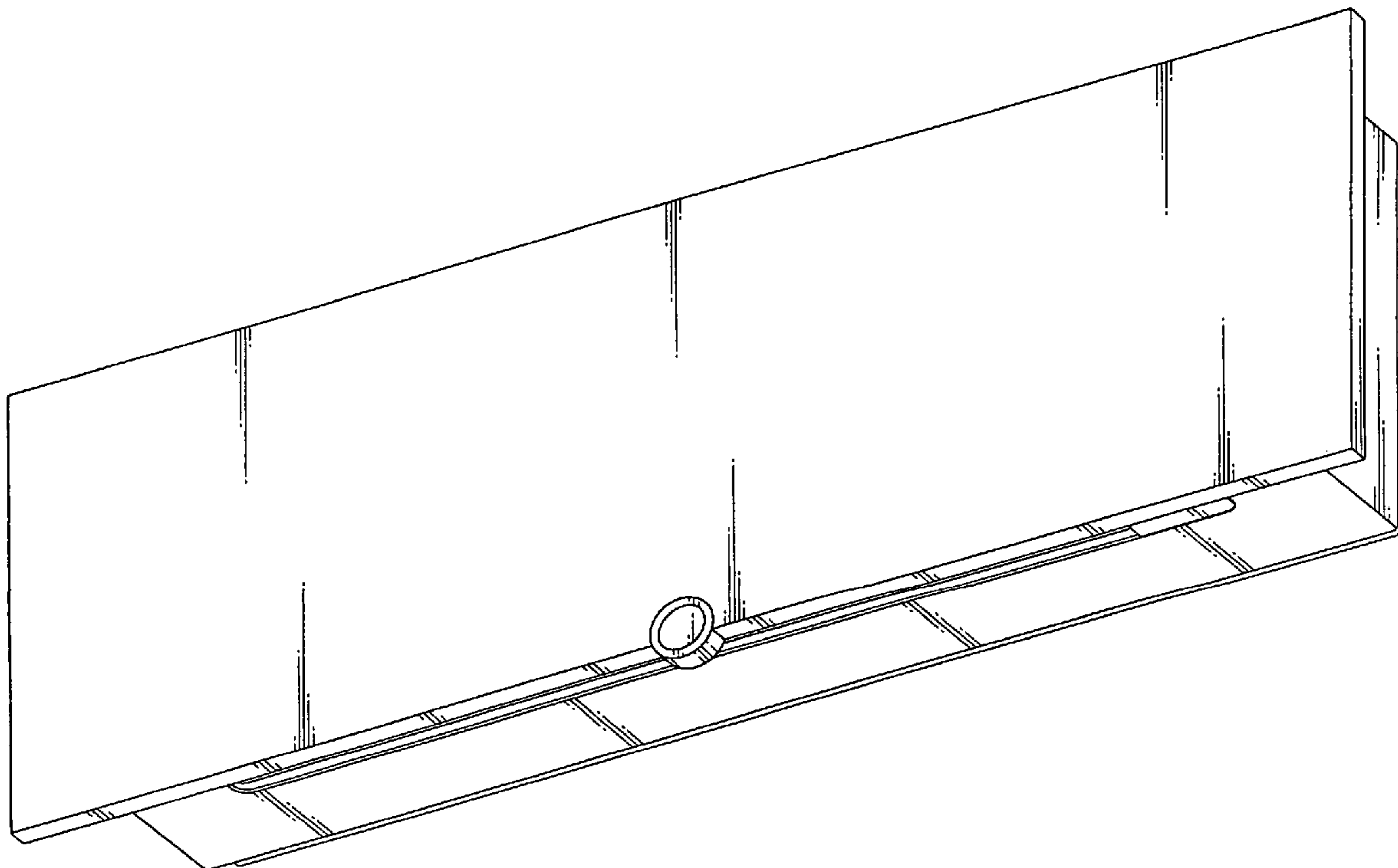


Fig.1

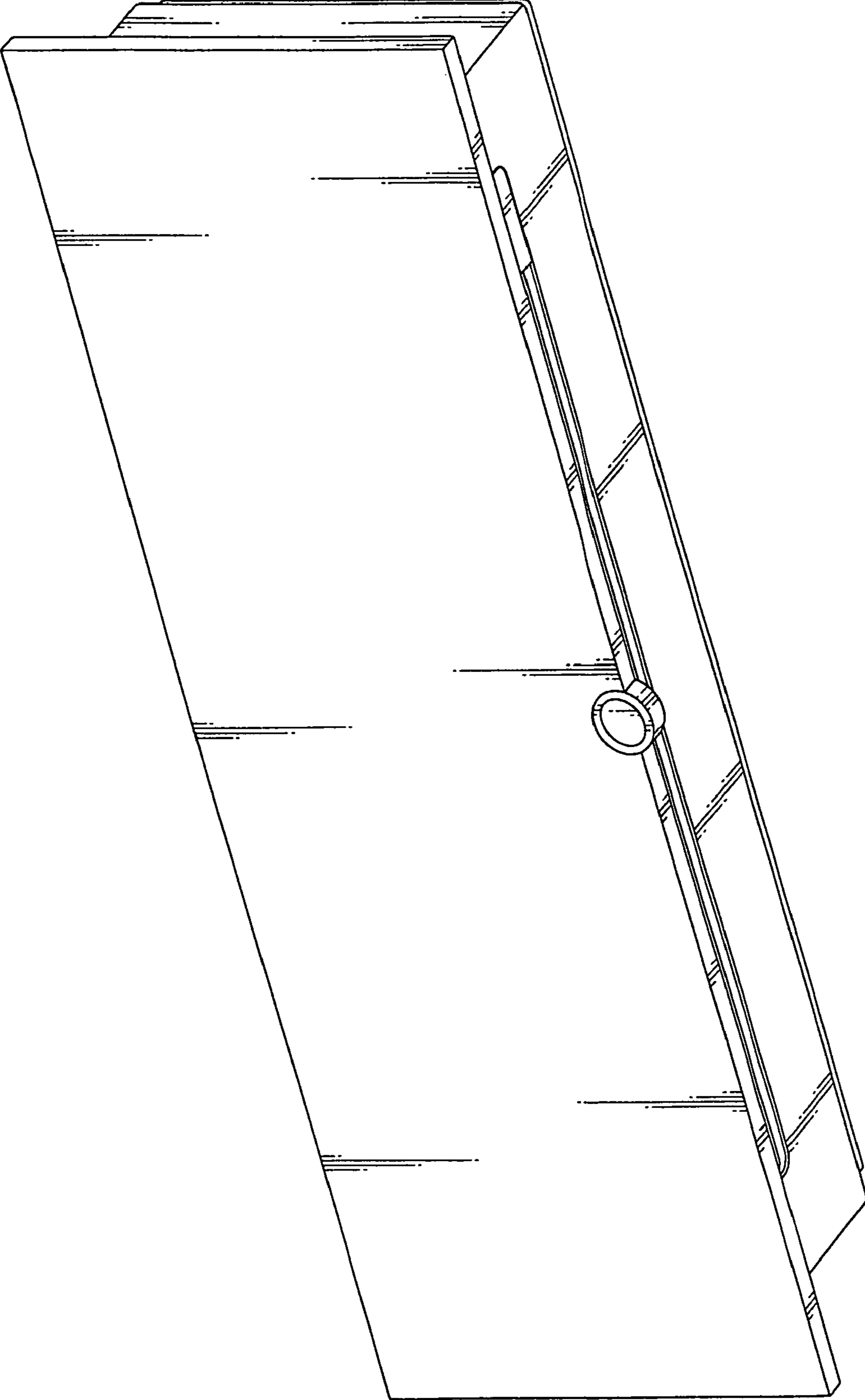


Fig.2

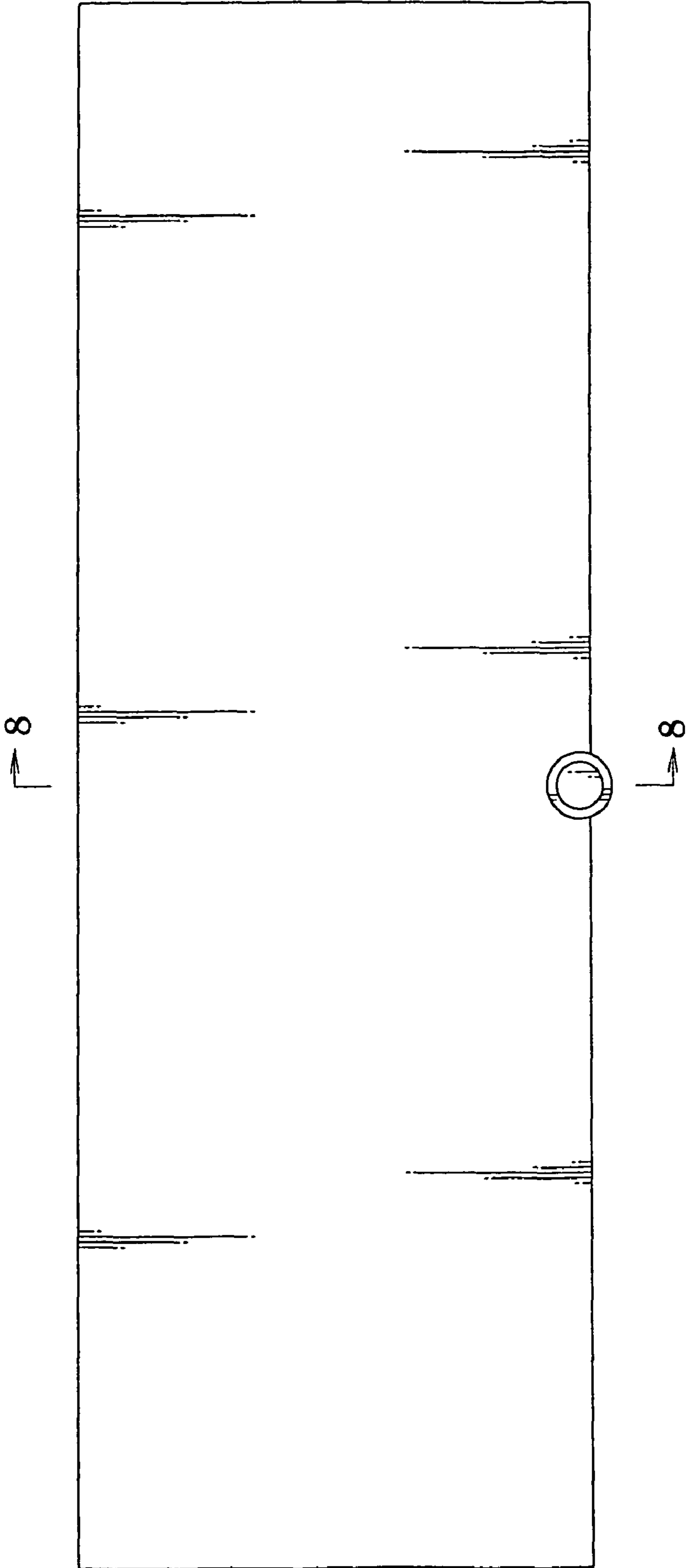


Fig.3

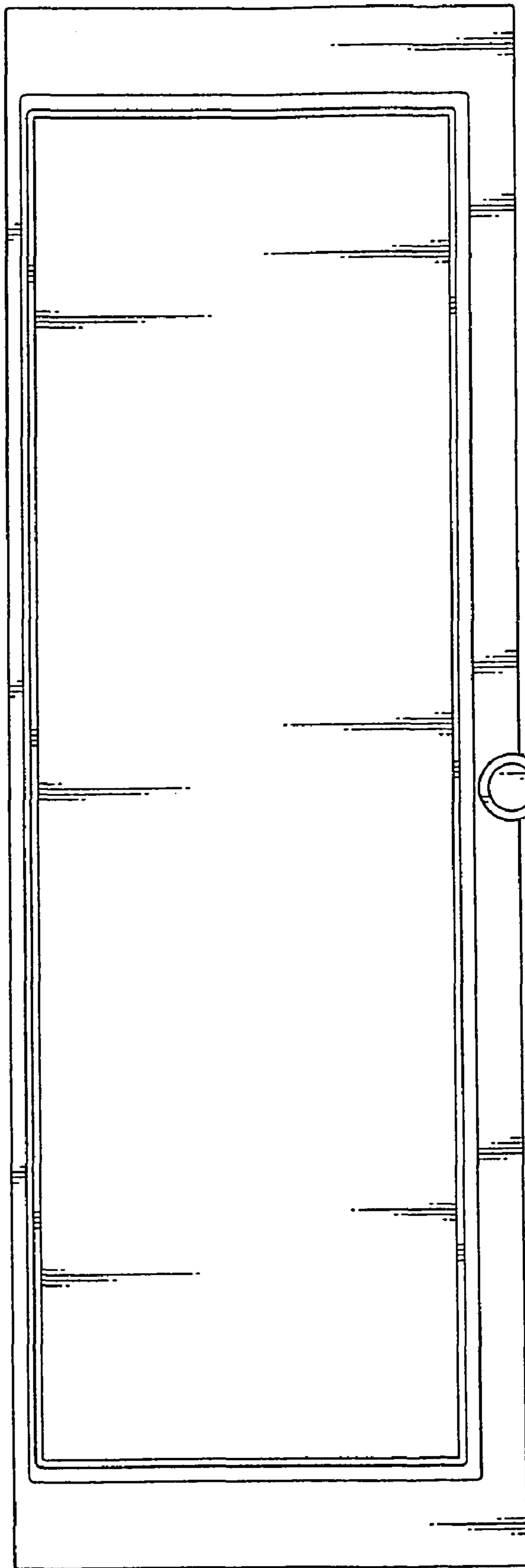


Fig. 4

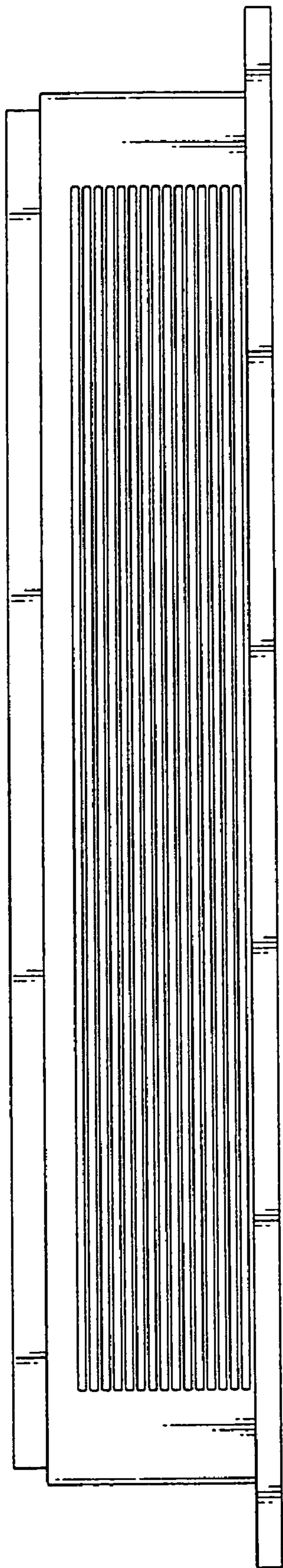


Fig. 5

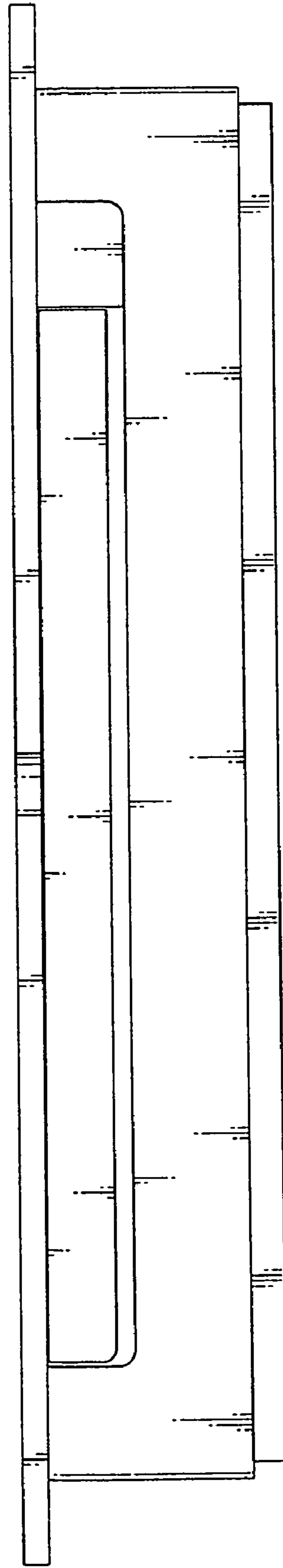


Fig. 8

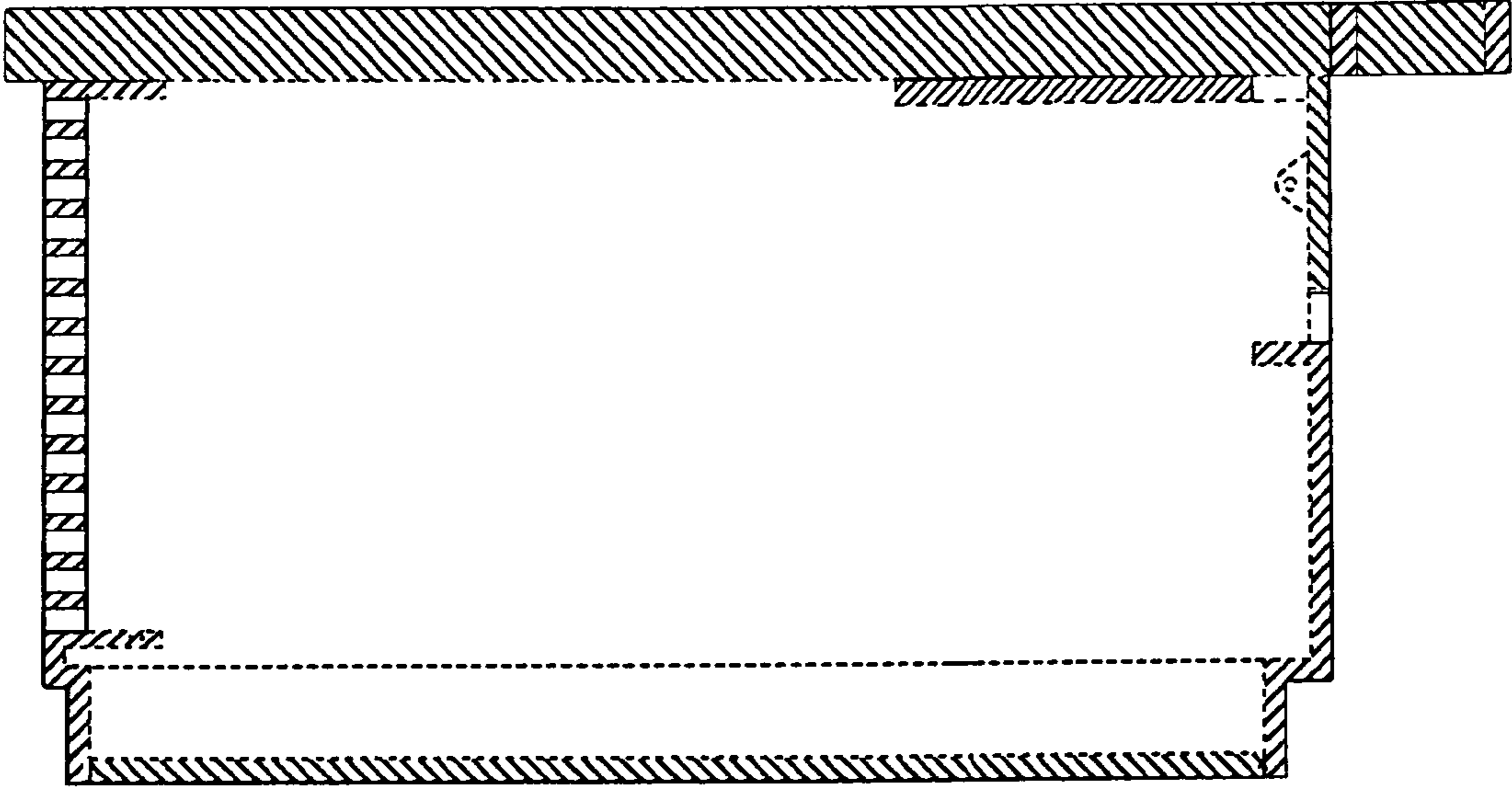


Fig. 7

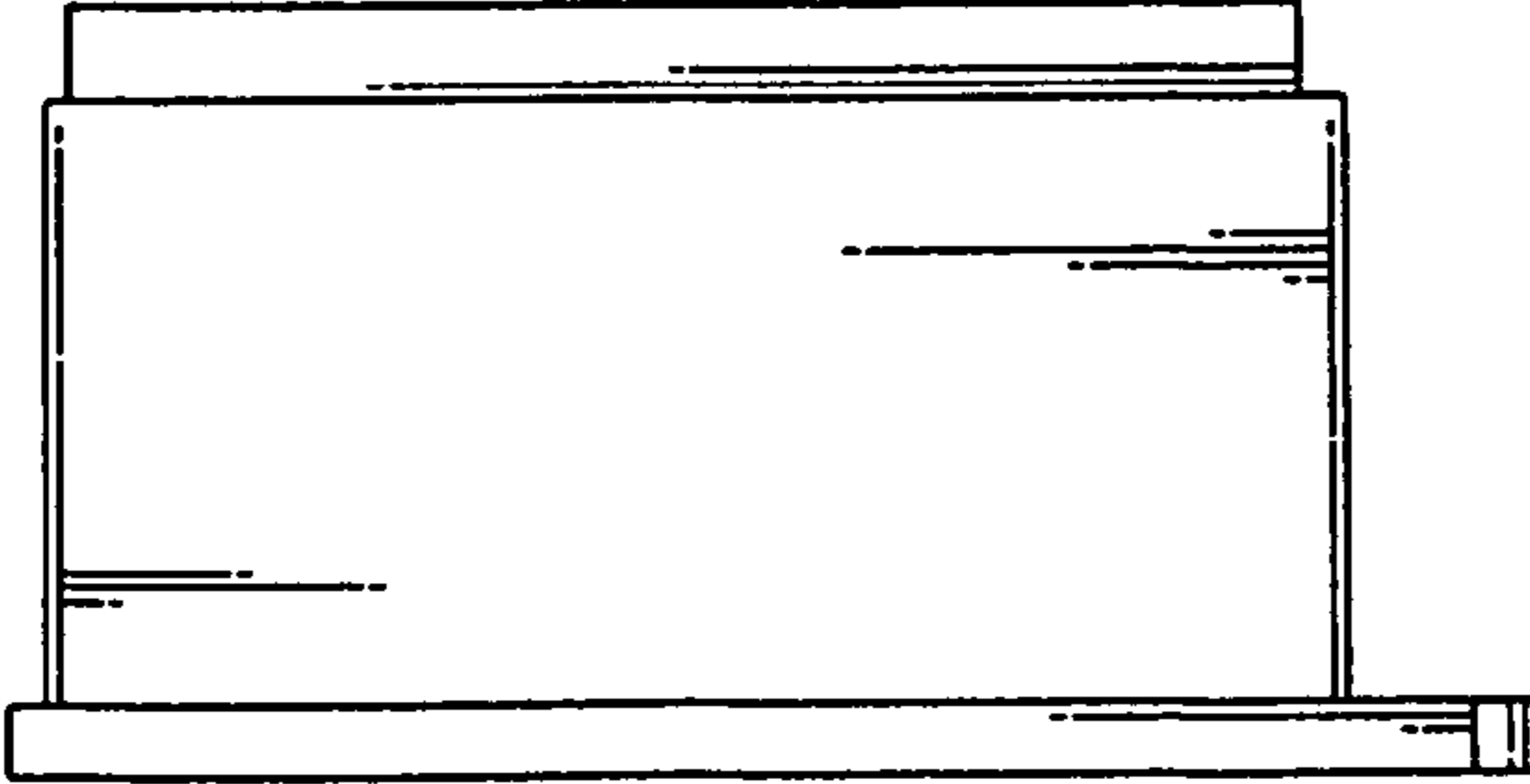


Fig. 6

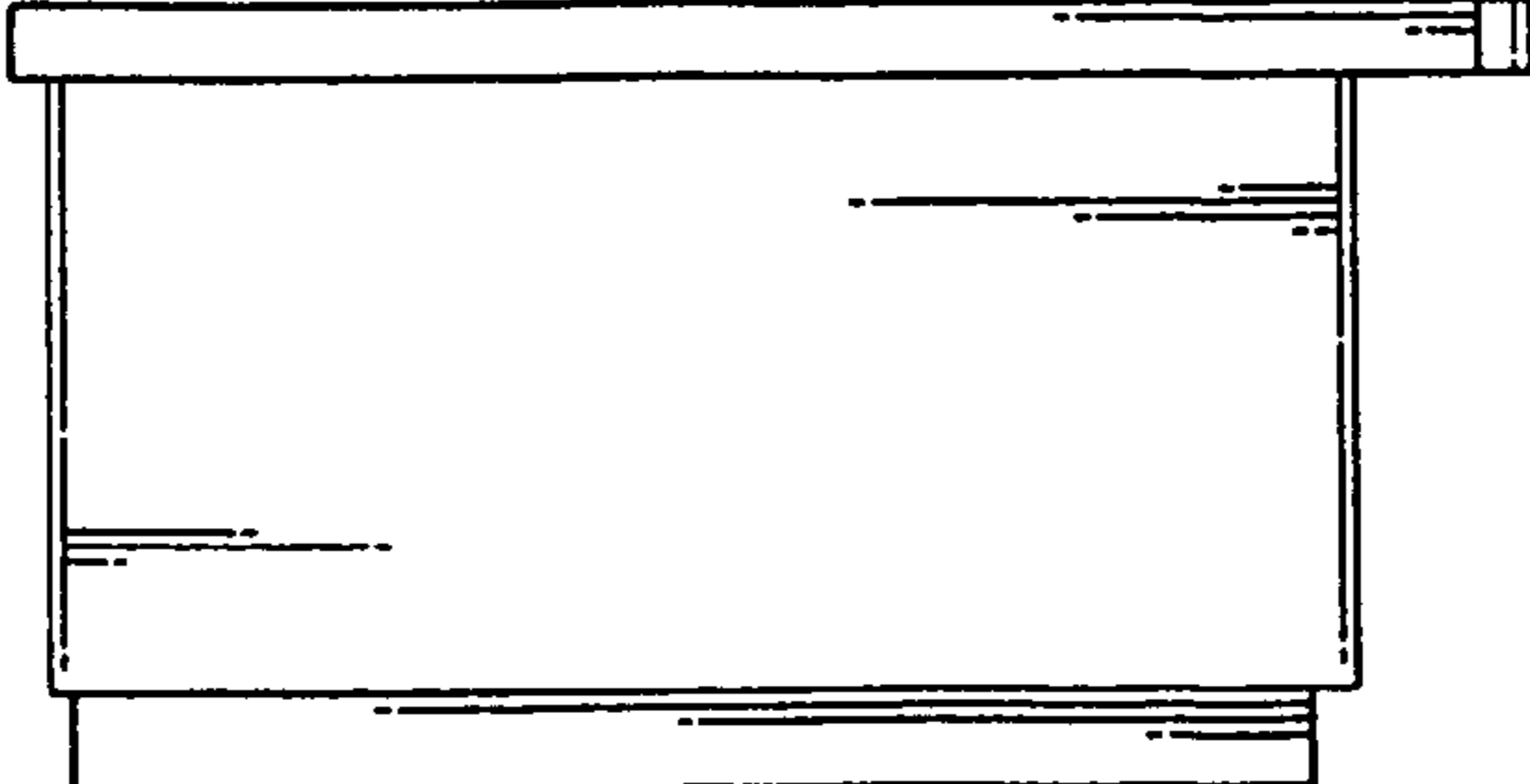




Fig.9

