



US00D618777S

(12) **United States Design Patent**  
**Kritsky**

(10) **Patent No.:** **US D618,777 S**

(45) **Date of Patent:** **\*\* Jun. 29, 2010**

(54) **PACKAGED TERMINAL AIR CONDITIONER INSERT**

D597,642 S \* 8/2009 Kaiser et al. .... D23/351

\* cited by examiner

(76) Inventor: **Walter Kritsky**, 8003 Birman St.,  
Maitland, FL (US) 32751

*Primary Examiner*—Brian N Vinson

(74) *Attorney, Agent, or Firm*—Allen Dyer Doppelt Milbrath  
& Gilchrist

(\*\*) Term: **14 Years**

(21) Appl. No.: **29/344,240**

(57) **CLAIM**

(22) Filed: **Sep. 25, 2009**

The ornamental design for a packaged terminal air conditioner insert, as shown and described.

**Related U.S. Application Data**

**DESCRIPTION**

(63) Continuation-in-part of application No. 11/379,848,  
filed on Apr. 24, 2006, now Pat. No. 7,628,026.

FIG. 1 is a perspective view from the left and top;

FIG. 2 is a left side view;

(51) **LOC (9) Cl.** ..... **23-04**

FIG. 3 is a right side view;

(52) **U.S. Cl.** ..... **D23/351**

FIG. 4 is a rear view;

(58) **Field of Classification Search** ..... D23/351-354;  
62/426, 429, 199-200, 89-90, 96, 176.5,  
62/176.6, 175

FIG. 5 is a front view;

FIG. 6 is a top view; and,

FIG. 7 is a bottom view.

See application file for complete search history.

The broken-line disclosure in the views is understood the represent portions of the article in which the claimed design is embodied, but which forms no part of the claimed design.

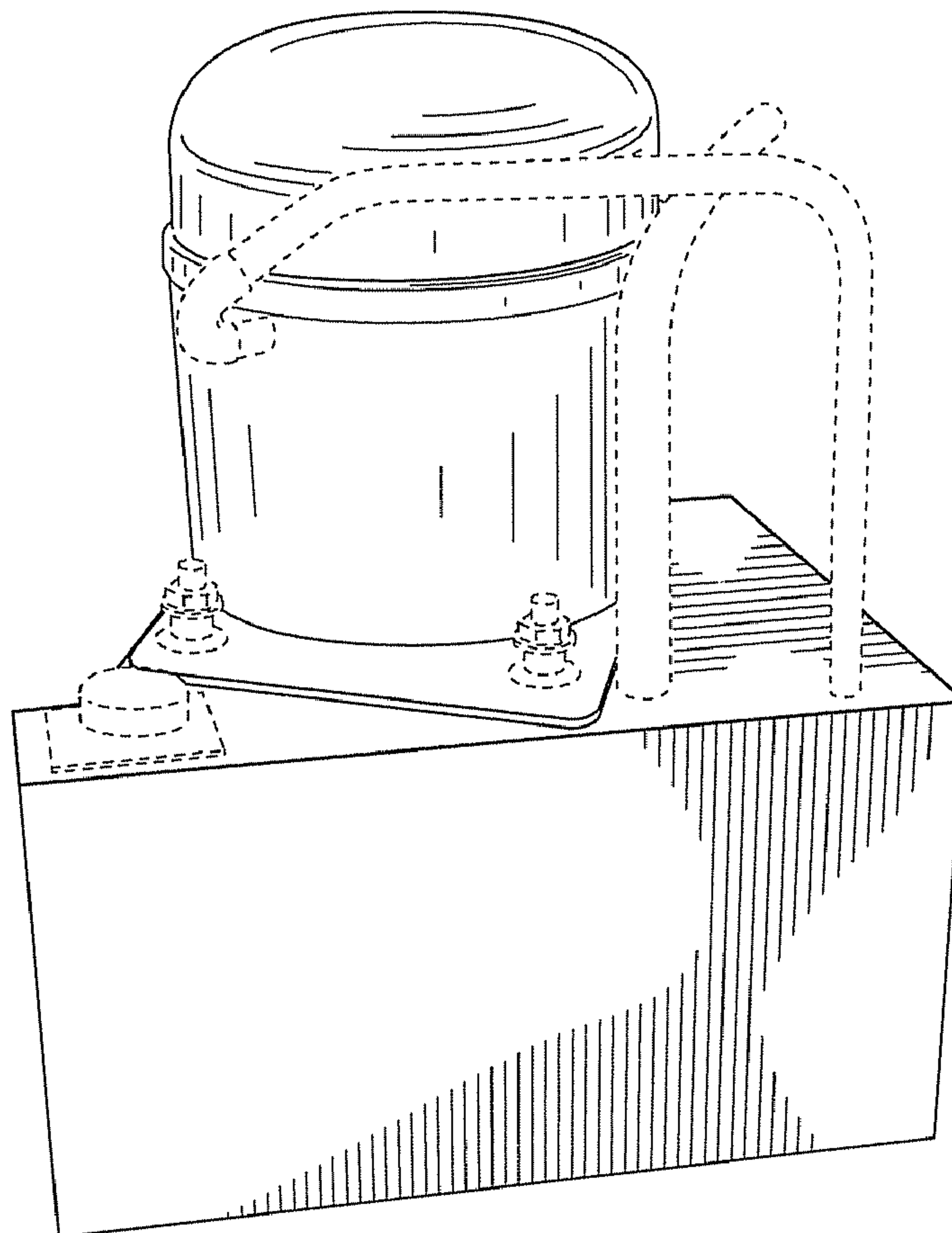
(56) **References Cited**

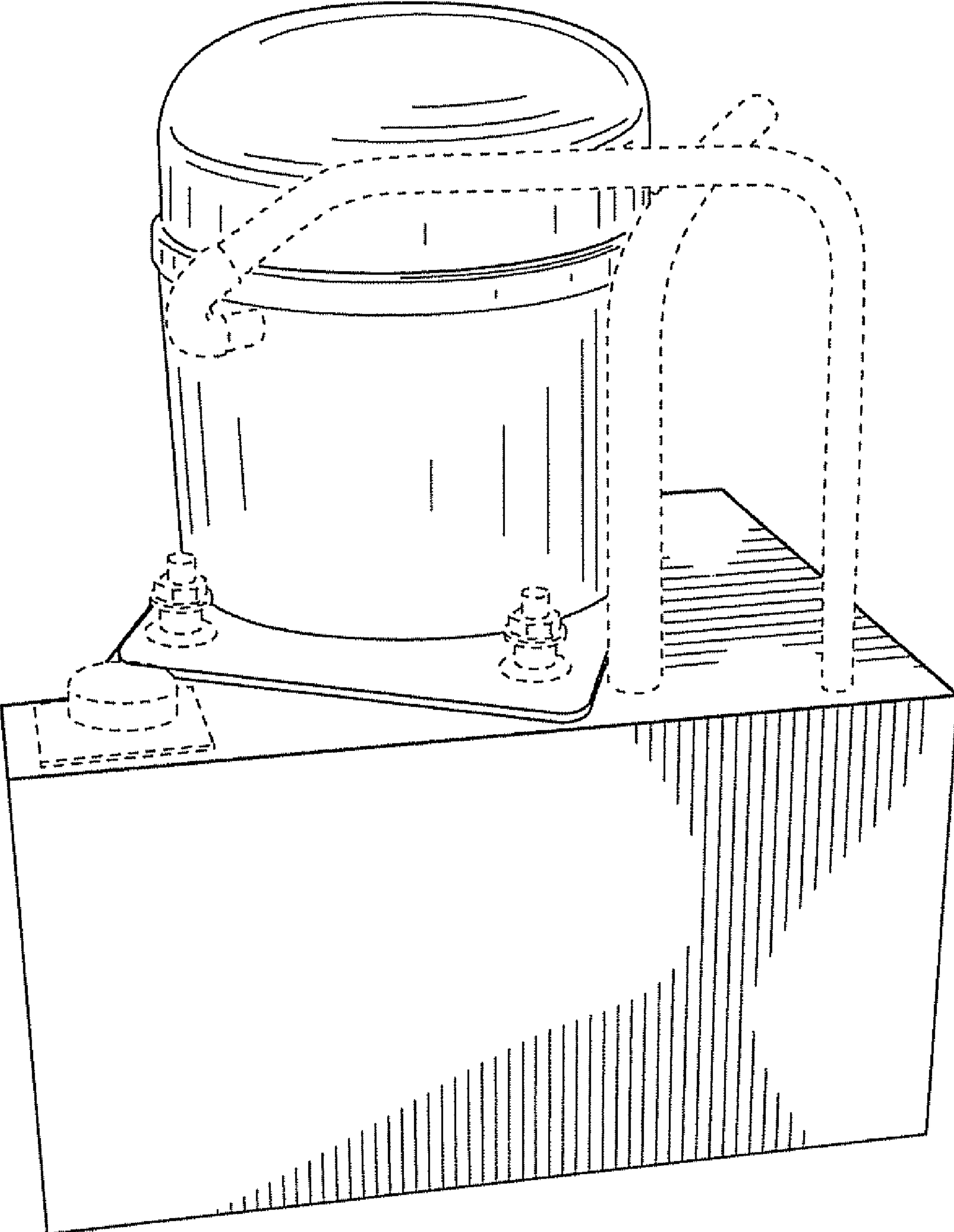
**U.S. PATENT DOCUMENTS**

6,109,044 A \* 8/2000 Porter et al. .... 62/96

D542,899 S \* 5/2007 Grozich ..... D23/354

**1 Claim, 4 Drawing Sheets**





**FIG. 1**

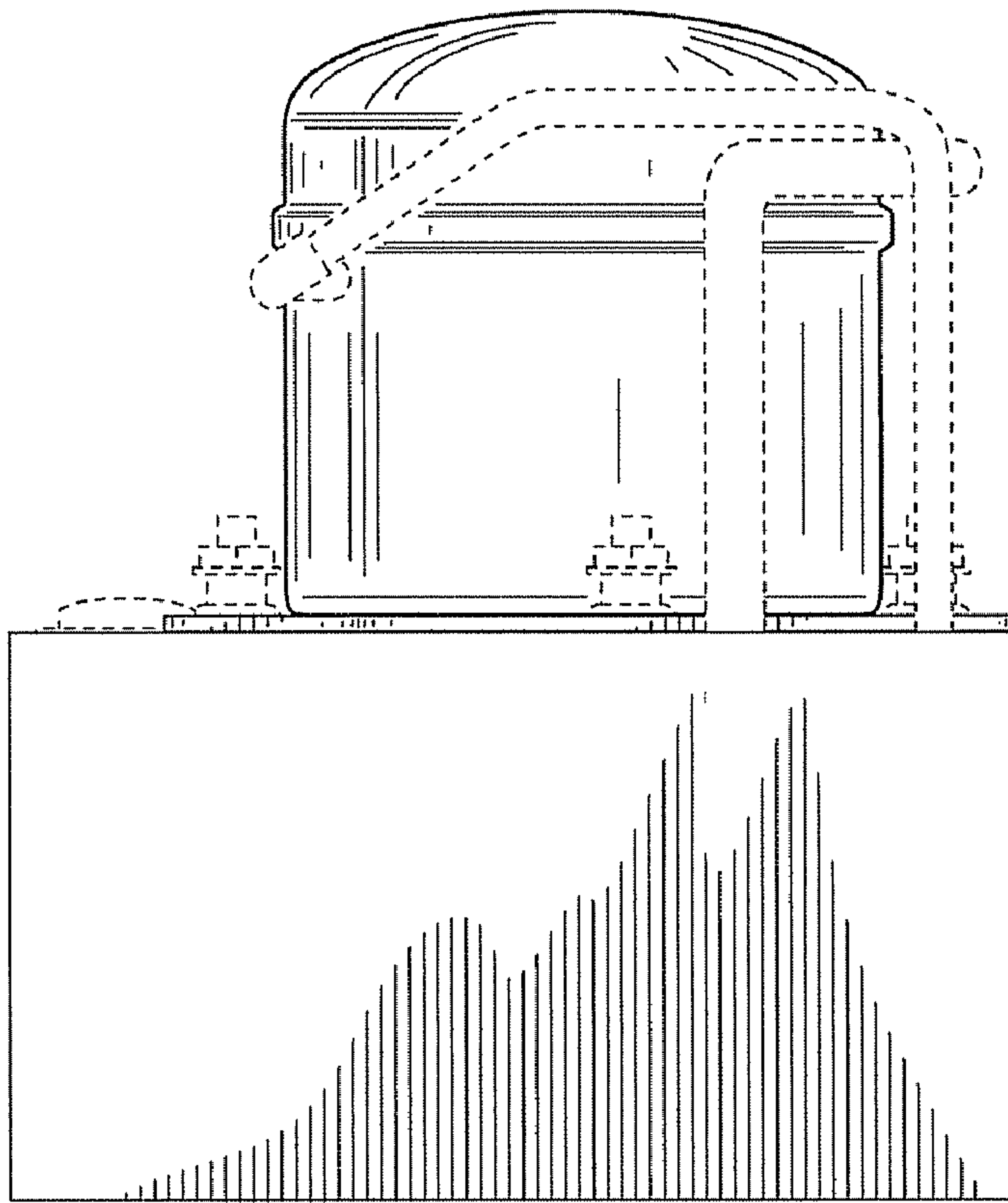


FIG. 2

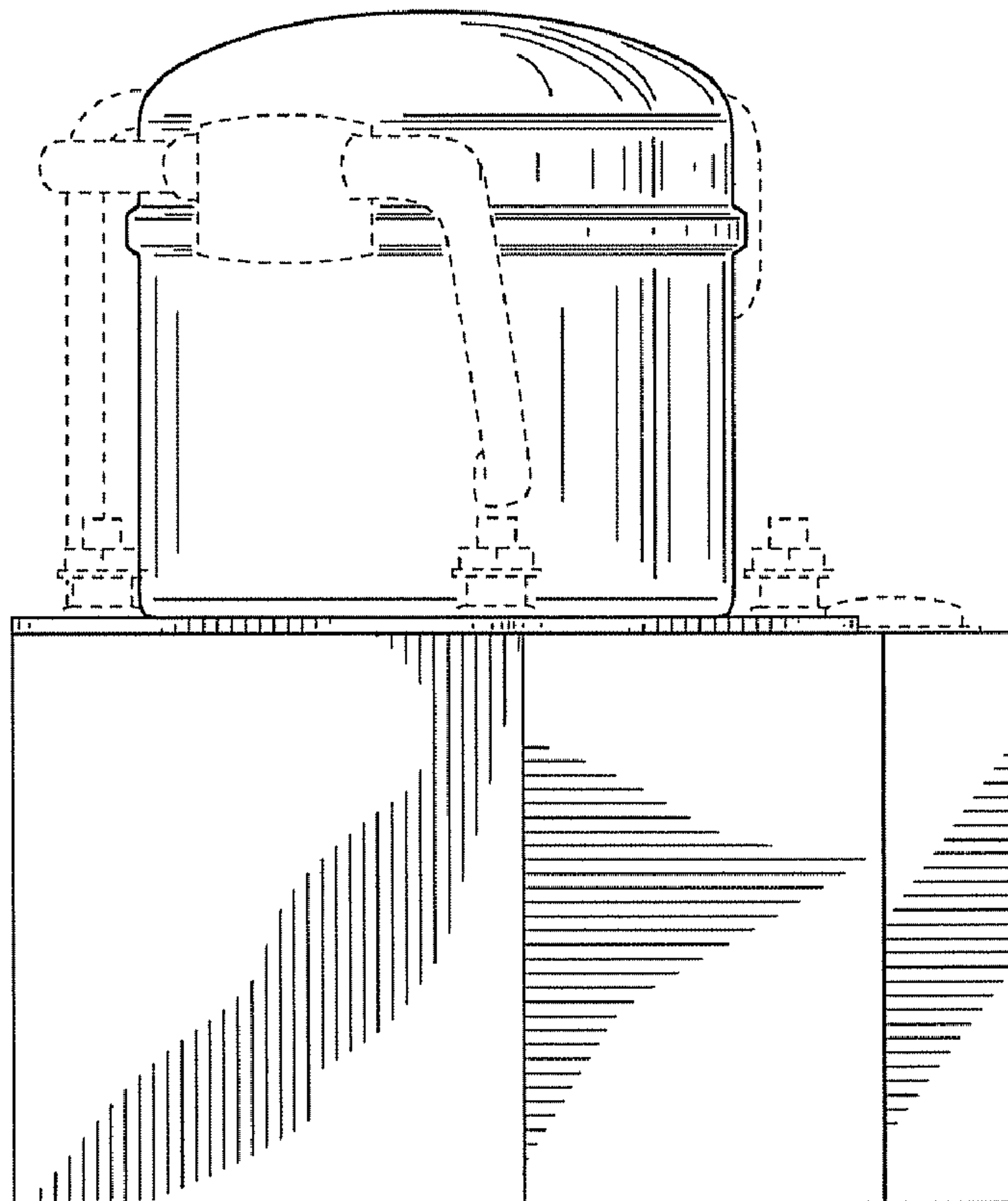


FIG. 3

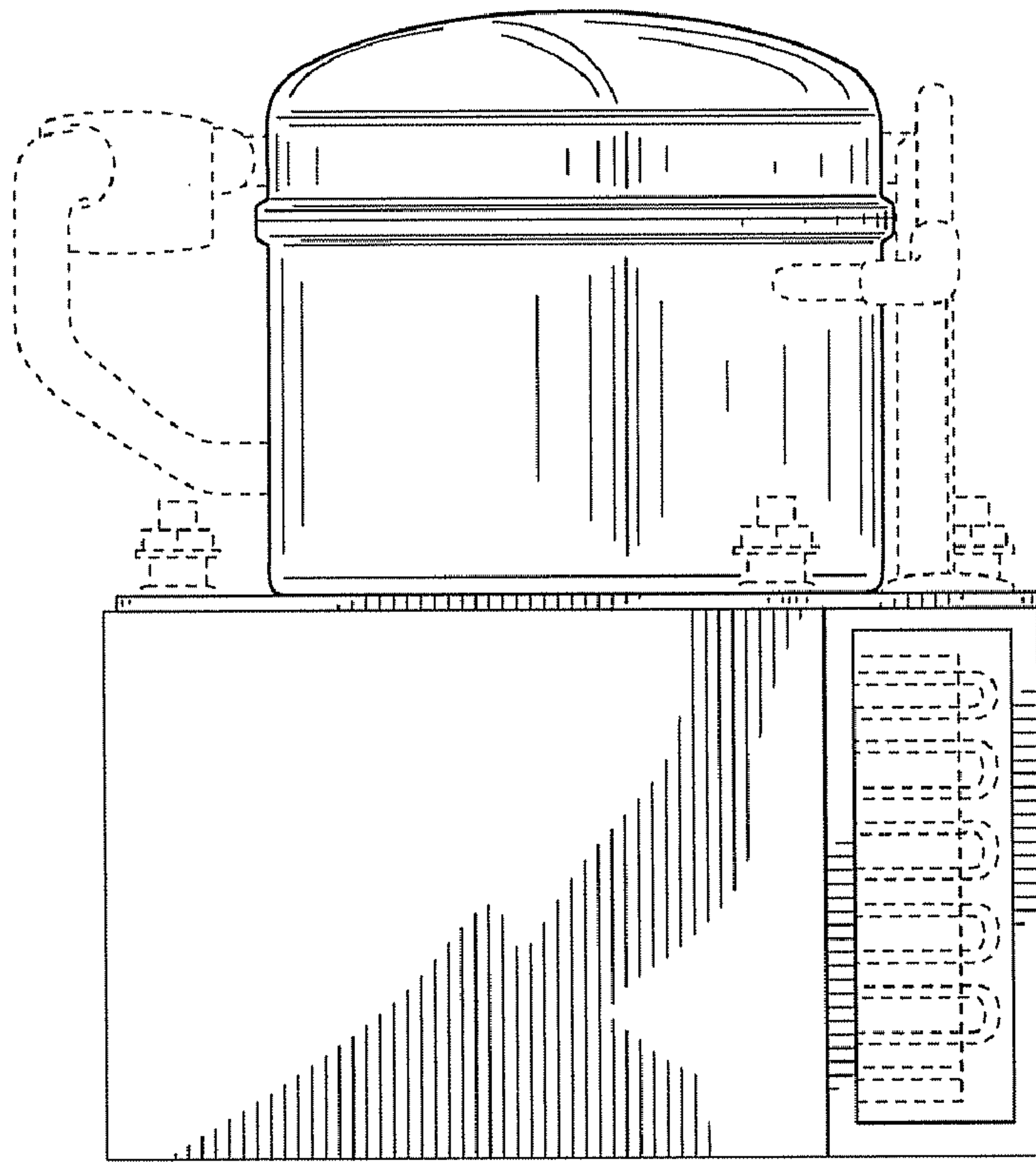


FIG. 4

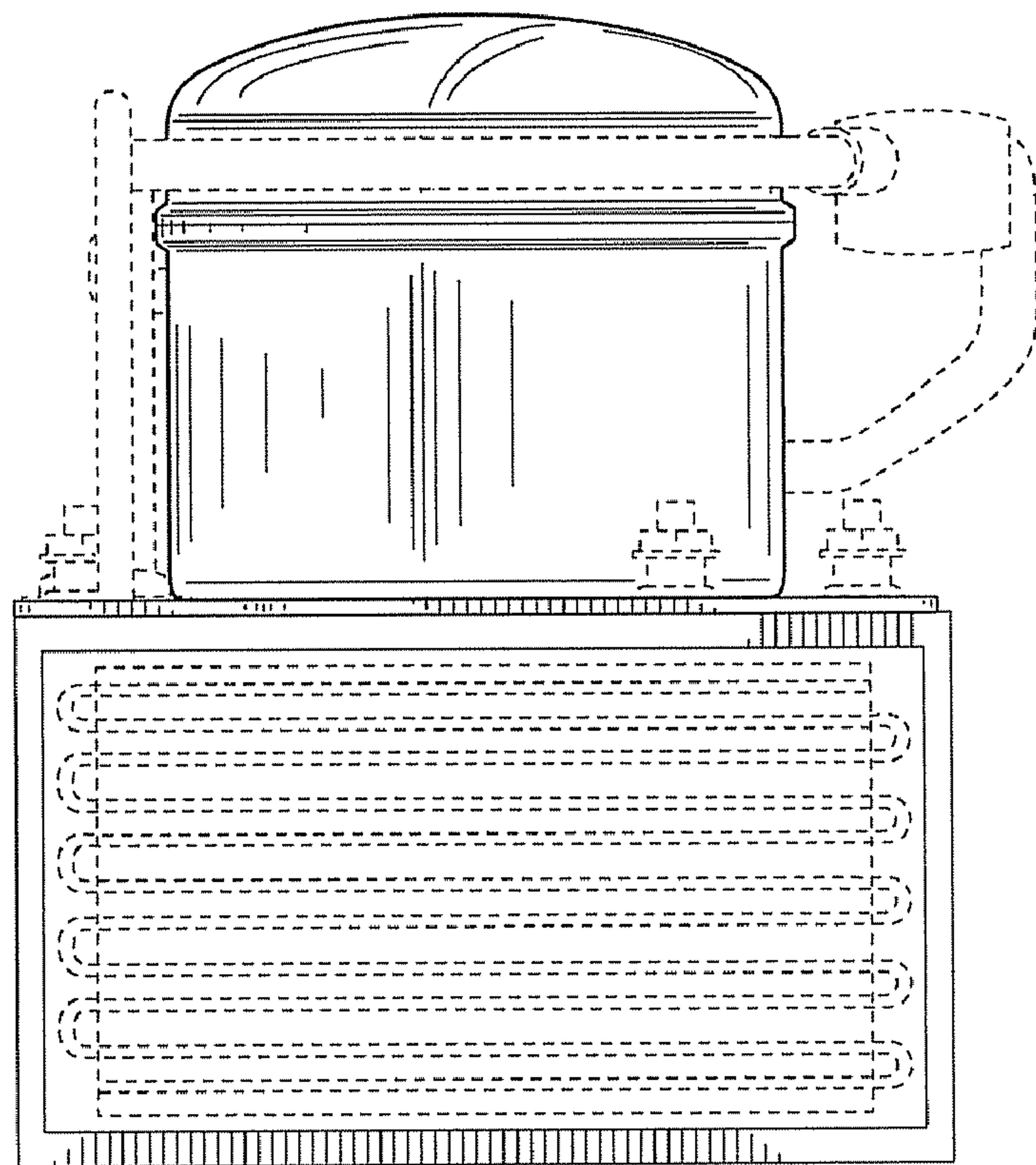
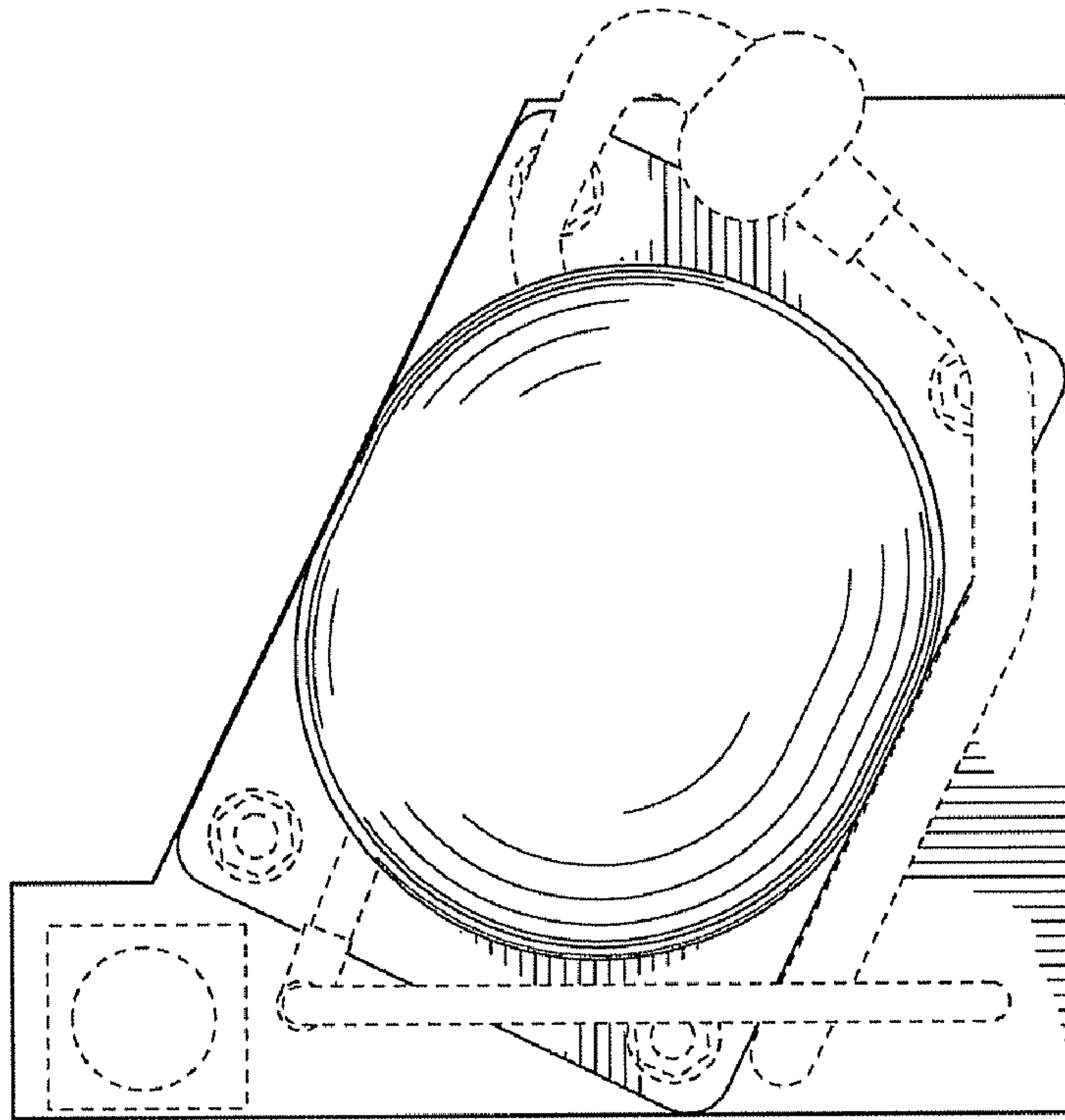
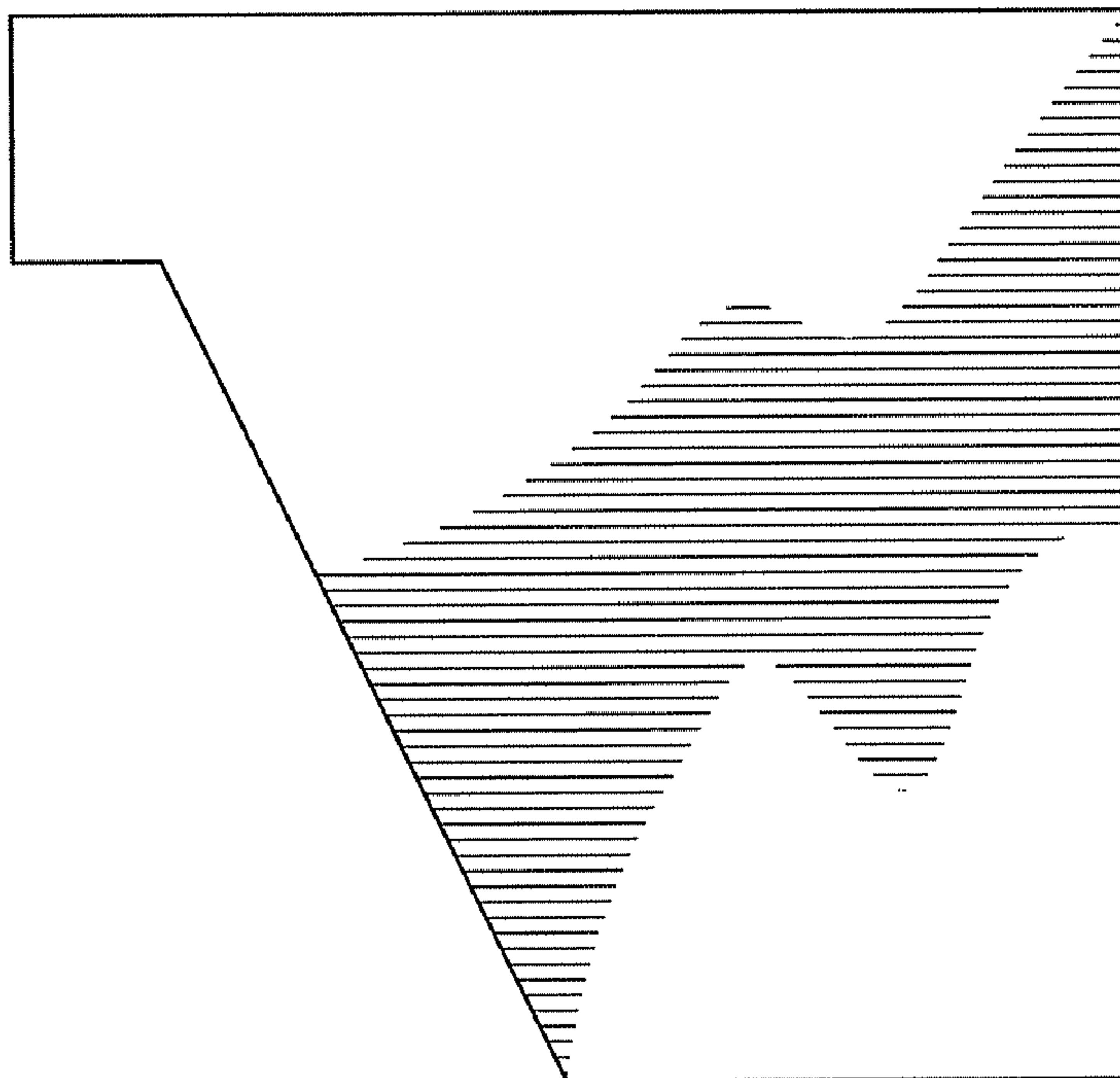


FIG. 5





**FIG. 6**



**FIG. 7**