



US00D618774S

(12) **United States Design Patent**
Bauer et al.

(10) **Patent No.:** **US D618,774 S**
(45) **Date of Patent:** **** Jun. 29, 2010**

(54) **GRAB BAR**

(75) Inventors: **Alan M. Bauer**, Medina, OH (US);
Christopher Jon Gilbert, Moreland Hills, OH (US); **Julie A. Stankovich**, Medina, OH (US)

(73) Assignee: **Moen Incorporated**, North Olmsted, OH (US)

(**) Term: **14 Years**

(21) Appl. No.: **29/341,927**

(22) Filed: **Aug. 14, 2009**

(51) **LOC (9) Cl.** **23-02**

(52) **U.S. Cl.** **D23/304; D8/315**

(58) **Field of Classification Search** D23/280.2,
D23/303-304; 4/576.1, 571.1; D8/315
See application file for complete search history.

(56) **References Cited**

U.S. PATENT DOCUMENTS

| | | |
|-------------|---------|--------------|
| D119,283 S | 3/1940 | Rettich |
| D121,560 S | 7/1940 | Borchers |
| D122,120 S | 8/1940 | Johns |
| 2,329,767 A | 9/1943 | Jakeway |
| 2,345,371 A | 3/1944 | Amrine |
| D138,909 S | 9/1944 | Stone et al. |
| D138,910 S | 9/1944 | Stone |
| D142,042 S | 8/1945 | Stewart |
| D142,043 S | 8/1945 | Stone |
| D142,943 S | 11/1945 | Borchers |
| D143,936 S | 2/1946 | Rosenthal |
| D143,937 S | 2/1946 | Rosenthal |
| 2,397,306 A | 3/1946 | Whipple |
| D145,606 S | 9/1946 | White |
| D153,796 S | 5/1949 | Hefferan |
| D168,362 S | 12/1952 | Lurie |
| D175,751 S | 10/1955 | Aleks |
| 3,103,268 A | 9/1963 | Atkinson |
| D199,333 S | 10/1964 | Finley |
| D208,691 S | 9/1967 | Morgan |
| D269,460 S | 6/1983 | Kohler, Jr. |

| | | |
|-------------|---------|-----------------|
| D327,196 S | 6/1992 | Crook et al. |
| 5,190,267 A | 3/1993 | Schmitt et al. |
| 5,297,010 A | 3/1994 | Camarota et al. |
| D365,385 S | 12/1995 | Hunger et al. |
| 5,652,999 A | 8/1997 | Jarvis |
| 5,690,237 A | 11/1997 | Marzec |
| D391,138 S | 2/1998 | Schacht |
| D396,793 S | 8/1998 | Magnusson |
| 5,991,976 A | 11/1999 | Adams et al. |
| D440,092 S | 4/2001 | Fiegl et al. |
| D449,215 S | 10/2001 | Bertani |

(Continued)

Primary Examiner—Robert A Delehanty
(74) *Attorney, Agent, or Firm*—Calfee, Halter & Griswold LLP

(57) **CLAIM**

The ornamental design for a grab bar, as shown and described.

DESCRIPTION

FIG. 1 is a perspective view of a grab bar of the new design;
FIG. 2 is a front elevational view of the grab bar of the new design;

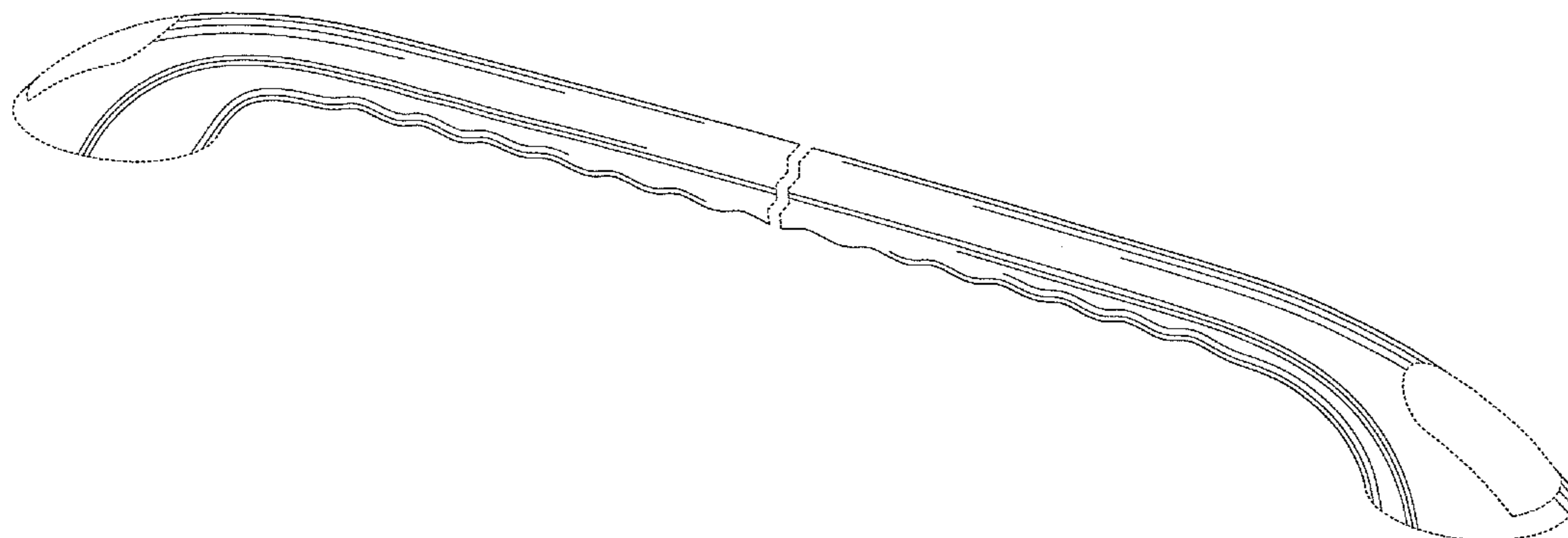
FIG. 3 is a rear elevational view of the grab bar of the new design;

FIG. 4 is a left side elevational view of the grab bar of the new design, the right side elevational view being a mirror image thereof; and,

FIG. 5 is a top plan view of the grab bar of the new design, the bottom plan view being a mirror image thereof.

The portions of the Figures shown in broken lines are not part of the claimed design and are for illustration only.

1 Claim, 3 Drawing Sheets



US D618,774 S

Page 2

U.S. PATENT DOCUMENTS

| | | | | | |
|--------------|---------|-----------------------------|--------------|---------|-----------------------------|
| D455,874 S | 4/2002 | Resuello et al. | D552,959 S | 10/2007 | Gilboe |
| 6,473,939 B1 | 11/2002 | Stegmaier | D553,944 S | 10/2007 | Jou |
| D471,403 S | 3/2003 | Jones et al. | D565,892 S | 4/2008 | McConnell et al. |
| 6,546,597 B2 | 4/2003 | Atalla et al. | D568,142 S | 5/2008 | Zhang et al. |
| D478,472 S | 8/2003 | Cozzolino et al. | D573,868 S | 7/2008 | Ricereto |
| 6,836,932 B2 | 1/2005 | Yamamoto et al. | D579,310 S | 10/2008 | Suh et al. |
| D511,955 S | 11/2005 | Baldwin et al. | D579,534 S | 10/2008 | Genord et al. |
| D516,406 S | 3/2006 | Brammer, Jr. et al. | D582,750 S | 12/2008 | Heidrich et al. |
| D531,876 S | 11/2006 | Jimenez | 7,458,133 B2 | 12/2008 | Wing |
| D536,597 S * | 2/2007 | Berlovan et al. D8/315 | D584,593 S | 1/2009 | Jou |
| D537,849 S | 3/2007 | Wong et al. | D600,529 S * | 9/2009 | Nicholson D8/315 |
| | | | D602,138 S * | 10/2009 | Gilbert et al. D23/304 |

* cited by examiner

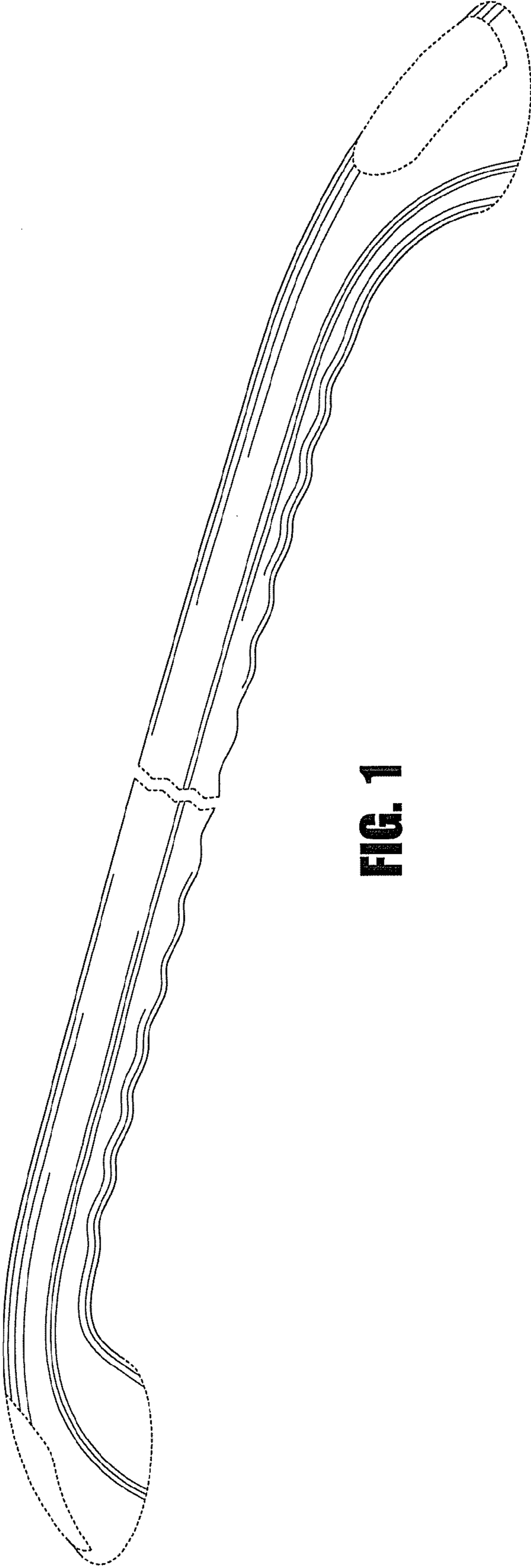


FIG. 1

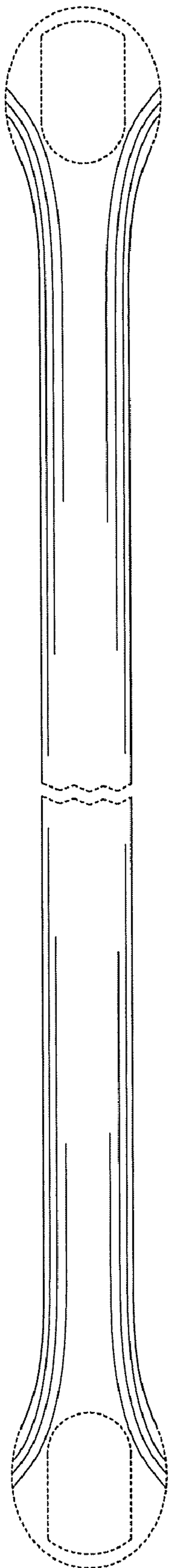


FIG. 2

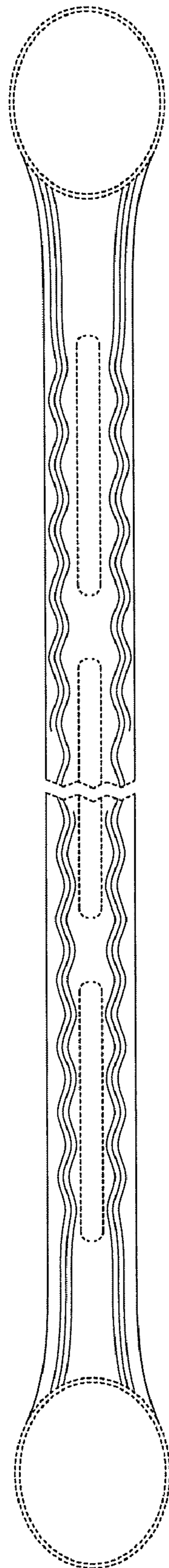


FIG. 3

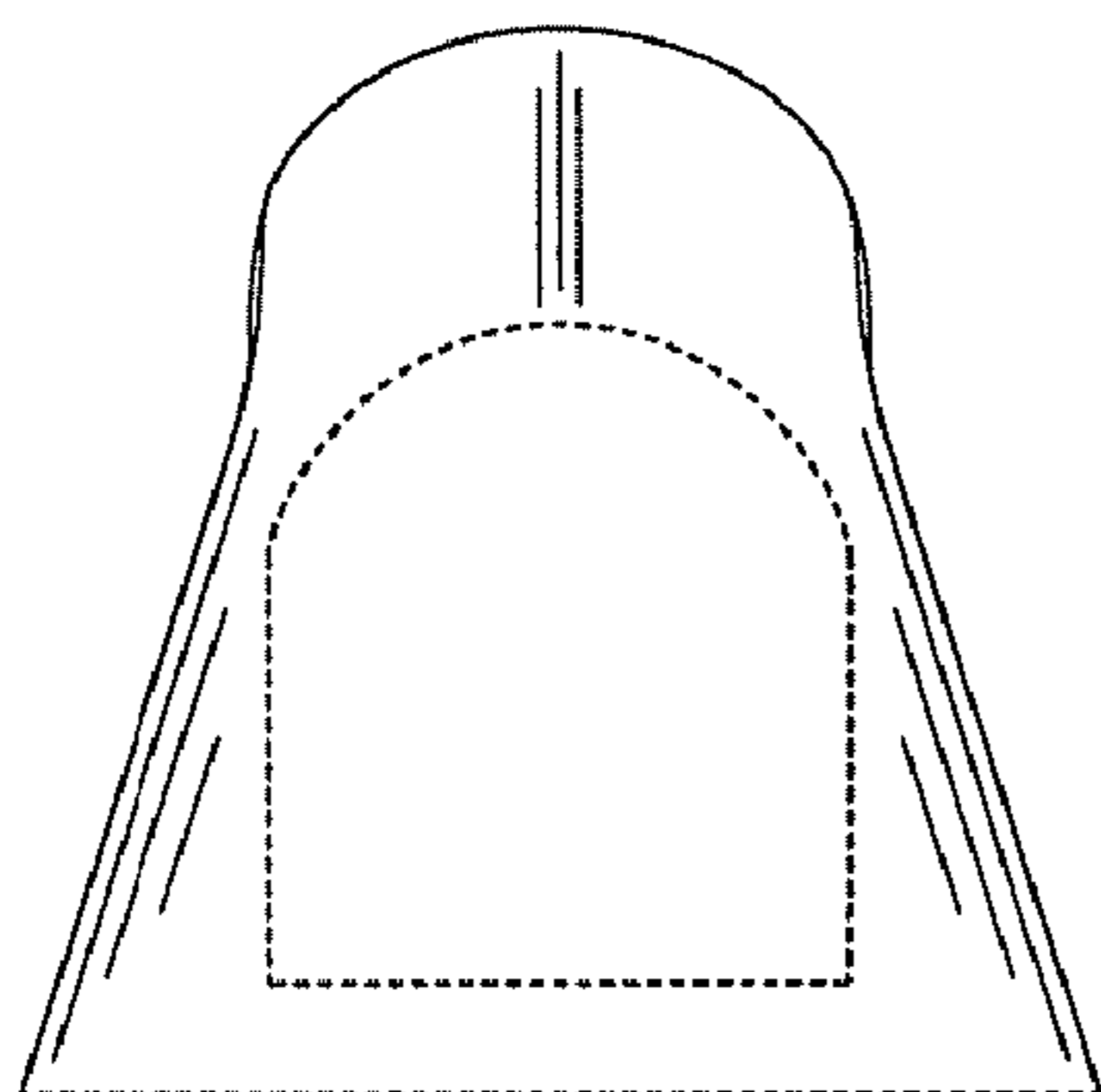


FIG. 4

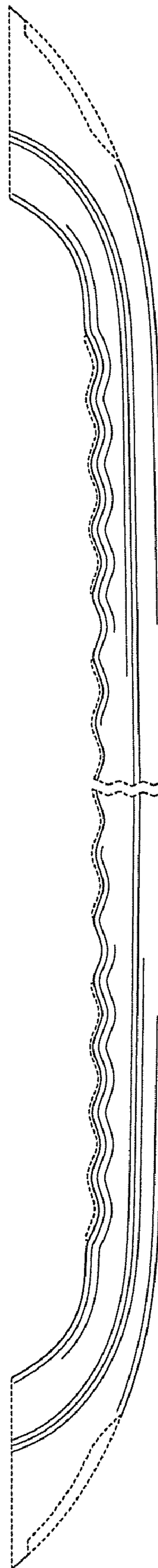


FIG. 5