

US00D618773S

(12) **United States Design Patent**
Hoernig et al.

(10) **Patent No.:** **US D618,773 S**
(45) **Date of Patent:** **** Jun. 29, 2010**

(54) **SHOWER SYSTEM**

(75) Inventors: **Victor Hoernig**, Lowell, IN (US);
Geraint Krumpe, Chicago, IL (US);
Man Ki Yoo, Skokie, IL (US)

(73) Assignee: **Masco Bath Corporation**, Moorestown,
NJ (US)

(**) Term: **14 Years**

(21) Appl. No.: **29/341,848**

(22) Filed: **Aug. 13, 2009**

(51) **LOC (9) Cl.** **23-02**

(52) **U.S. Cl.** **D23/283**

(58) **Field of Classification Search** D23/275,
D23/283, 273, 303-305, 279; 4/663, 552,
4/614, 900

See application file for complete search history.

(56) **References Cited**

U.S. PATENT DOCUMENTS

- 1,076,808 A 10/1913 Arburg
- 1,197,657 A 9/1916 Orofino
- 1,781,325 A 11/1930 Dowling
- 2,048,909 A 7/1936 Woodworth
- 2,052,629 A 9/1936 Hodgson
- 2,237,076 A 4/1941 Kenney et al.
- 2,529,568 A 11/1950 O'Hara
- 2,678,083 A 5/1954 Dall et al.
- 3,334,358 A 8/1967 McPherson
- 3,443,266 A 5/1969 Mongerson et al.
- D226,853 S 5/1973 Korol
- 3,967,323 A 7/1976 Serio
- 4,168,549 A 9/1979 Davies
- 4,384,376 A 5/1983 Shrode
- 4,400,835 A 8/1983 Richter
- 4,495,666 A 1/1985 Herman, Jr.
- 4,541,131 A 9/1985 Sussman
- 4,646,491 A 3/1987 Munch
- 4,680,817 A 7/1987 Sloan et al.
- 4,876,751 A 10/1989 Van Meter
- 4,897,889 A 2/1990 Baus

- 4,905,327 A 3/1990 Boubilil
- 5,056,169 A 10/1991 Roguebrune
- 5,185,892 A 2/1993 Mitchell
- 5,446,929 A 9/1995 Sills et al.
- 5,463,780 A 11/1995 McAllister et al.
- D380,528 S 7/1997 D'Andrea
- D383,198 S 9/1997 Jacuzzi et al.
- 5,671,489 A 9/1997 Salach
- 5,720,056 A 2/1998 Aymes
- D405,517 S 2/1999 Eeckhoudt
- D412,028 S * 7/1999 Funk et al. D23/283

(Continued)

FOREIGN PATENT DOCUMENTS

WO WO2006/015435 A1 2/2006

Primary Examiner—Robert A Delehanty
(74) *Attorney, Agent, or Firm*—Nirav D. Parikh; Edgar A. Zarins

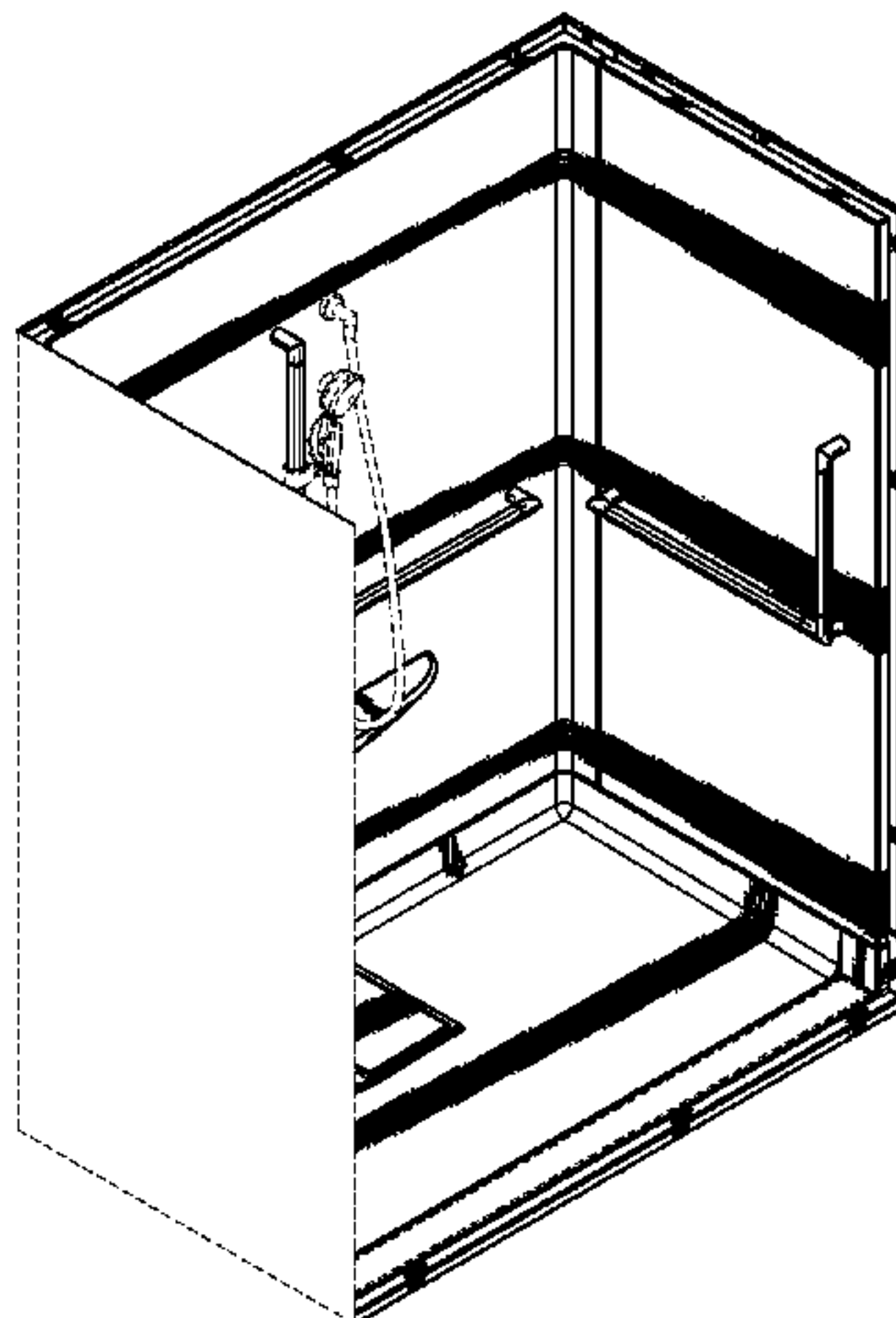
(57) **CLAIM**

The ornamental design for a shower system, as shown and described.

DESCRIPTION

FIG. 1 is a front/left side perspective view of a shower system;
FIG. 2 is a front/right side perspective view of the shower system of FIG. 1;
FIG. 3 is a front elevation view of the shower system of FIG. 1; and,
FIG. 4 is a top plan view of the shower system of FIG. 1.
The broken lines are for illustrative purposes only and form no part of the claimed design.

1 Claim, 3 Drawing Sheets



US D618,773 S

Page 2

U.S. PATENT DOCUMENTS

6,088,847	A	7/2000	Burrow	D570,967	S	6/2008	Hood
6,094,757	A	8/2000	Torres	D572,805	S	7/2008	Daikubara et al.
6,109,189	A	8/2000	Tarver	D573,238	S	7/2008	Patterson et al.
6,226,810	B1	5/2001	Weddendorf et al.	7,392,551	B2	7/2008	Lanius
D444,866	S	7/2001	Paredes	7,392,553	B2	7/2008	Uhl et al.
6,360,380	B1	3/2002	Swart et al.	D578,185	S	10/2008	Biagi et al.
6,408,456	B1	6/2002	Fike et al.	D578,186	S	10/2008	Biagi et al.
6,618,871	B2	9/2003	Kopacz et al.	D578,187	S	10/2008	Biagi et al.
6,643,861	B2	11/2003	Sherlock et al.	D578,623	S	10/2008	Biagi et al.
6,807,689	B1	10/2004	Royko et al.	D578,624	S	10/2008	Biagi et al.
6,893,704	B1	5/2005	van der Loo	D580,026	S	11/2008	Biagi et al.
6,912,740	B2	7/2005	Fainberg	D588,237	S	3/2009	Patterson et al.
6,915,535	B2	7/2005	Sieger et al.	D614,749	S *	4/2010	Hoernig et al. D23/283
6,938,868	B2	9/2005	Pence	D614,750	S *	4/2010	Hoernig et al. D23/283
7,007,315	B2	3/2006	Stonecipher	2005/0102746	A1	5/2005	Wright et al.
D522,636	S	6/2006	Lanius	2005/0246830	A1	11/2005	Galyean, Jr. et al.
D527,084	S	8/2006	Helmetsie	2006/0236452	A1	10/2006	Polimeno
7,121,620	B1	10/2006	Fang	2007/0067903	A1	3/2007	Hatrick-Smith
7,155,757	B1	1/2007	Zamora, Jr.	2007/0199263	A1	8/2007	Kern et al.
D561,307	S	2/2008	Breymaier et al.	2008/0190048	A1	8/2008	Kitakado
D566,251	S	4/2008	Bates	2009/0100592	A1	4/2009	Biagi et al.

* cited by examiner

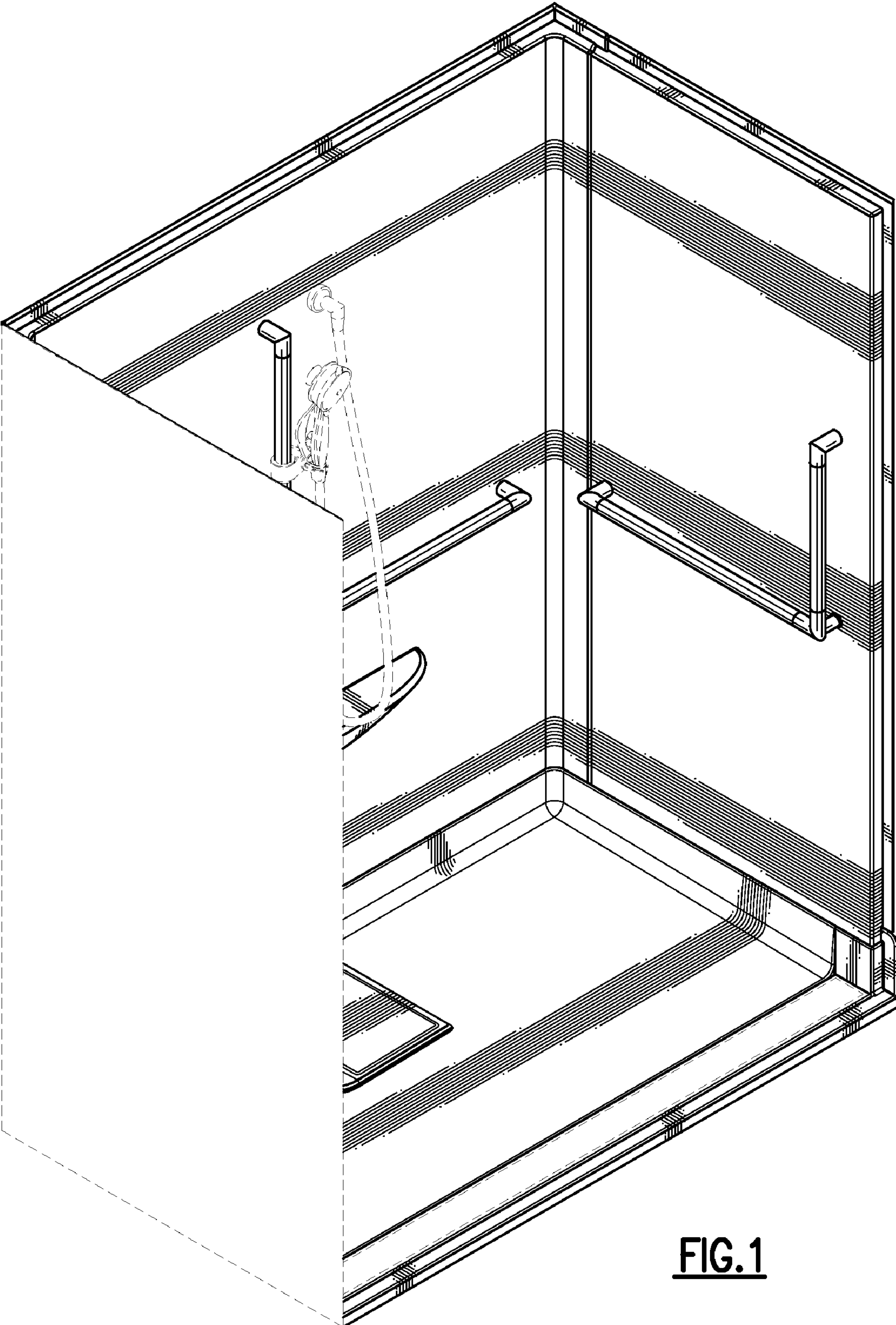


FIG. 1

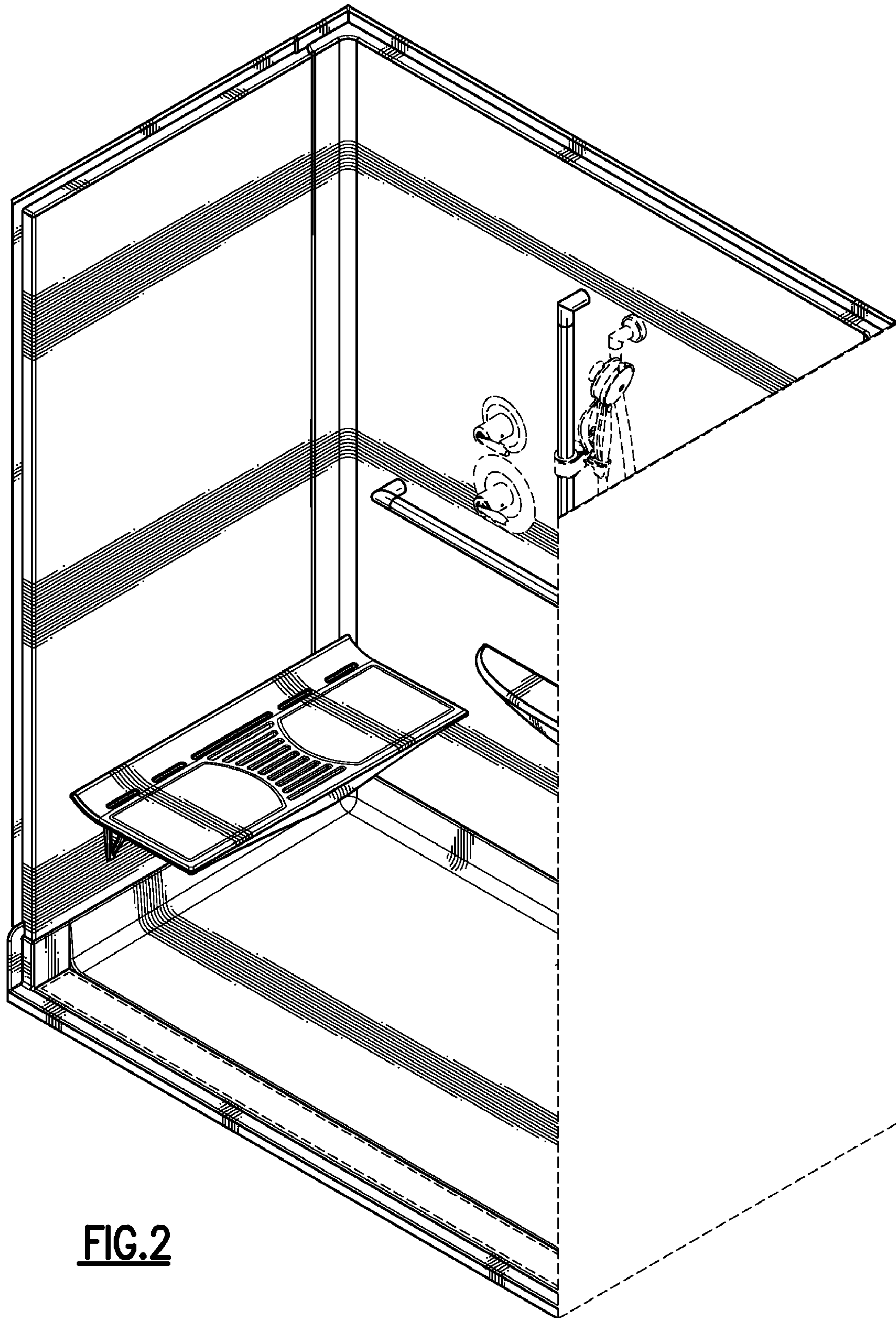


FIG.2

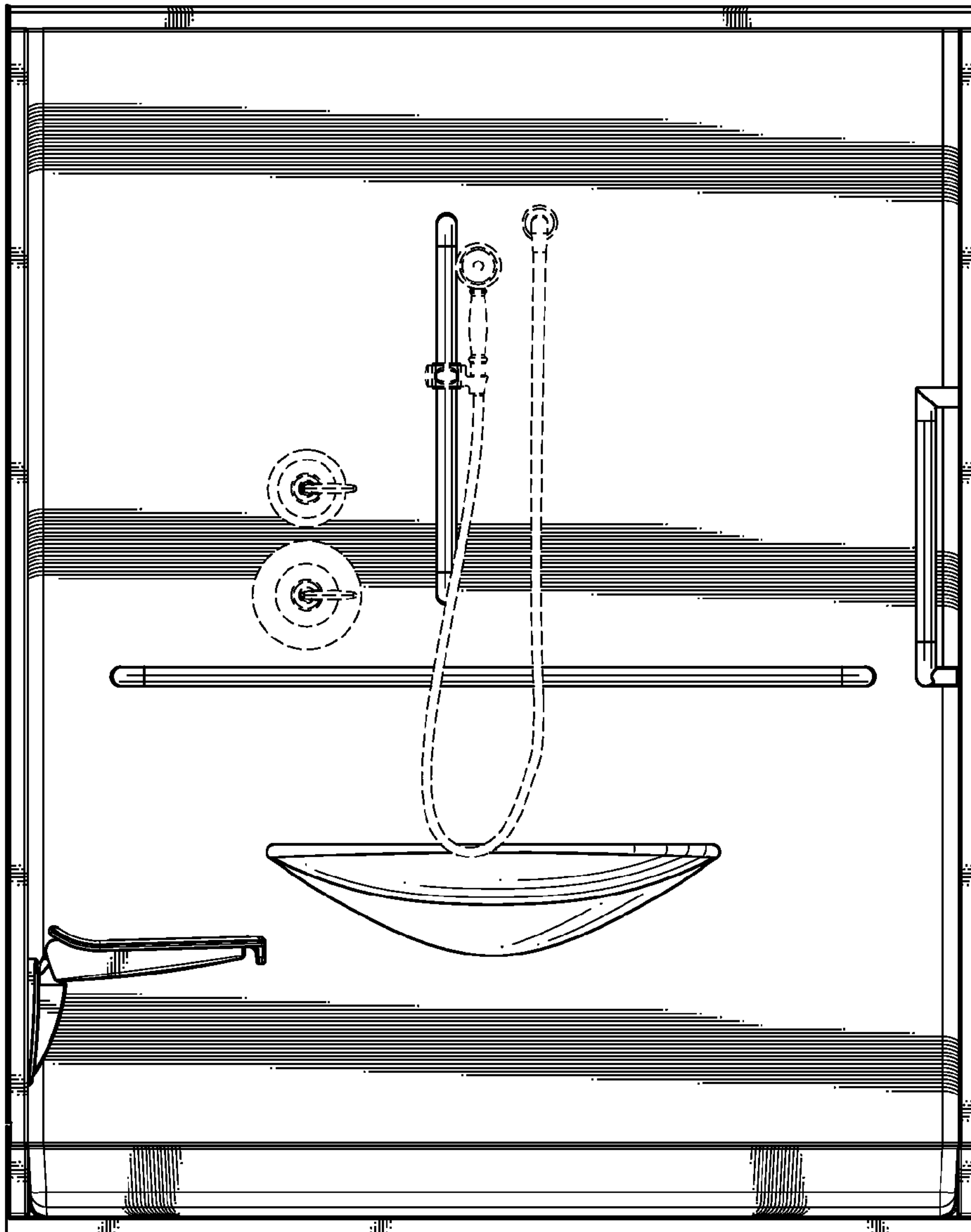


FIG.3

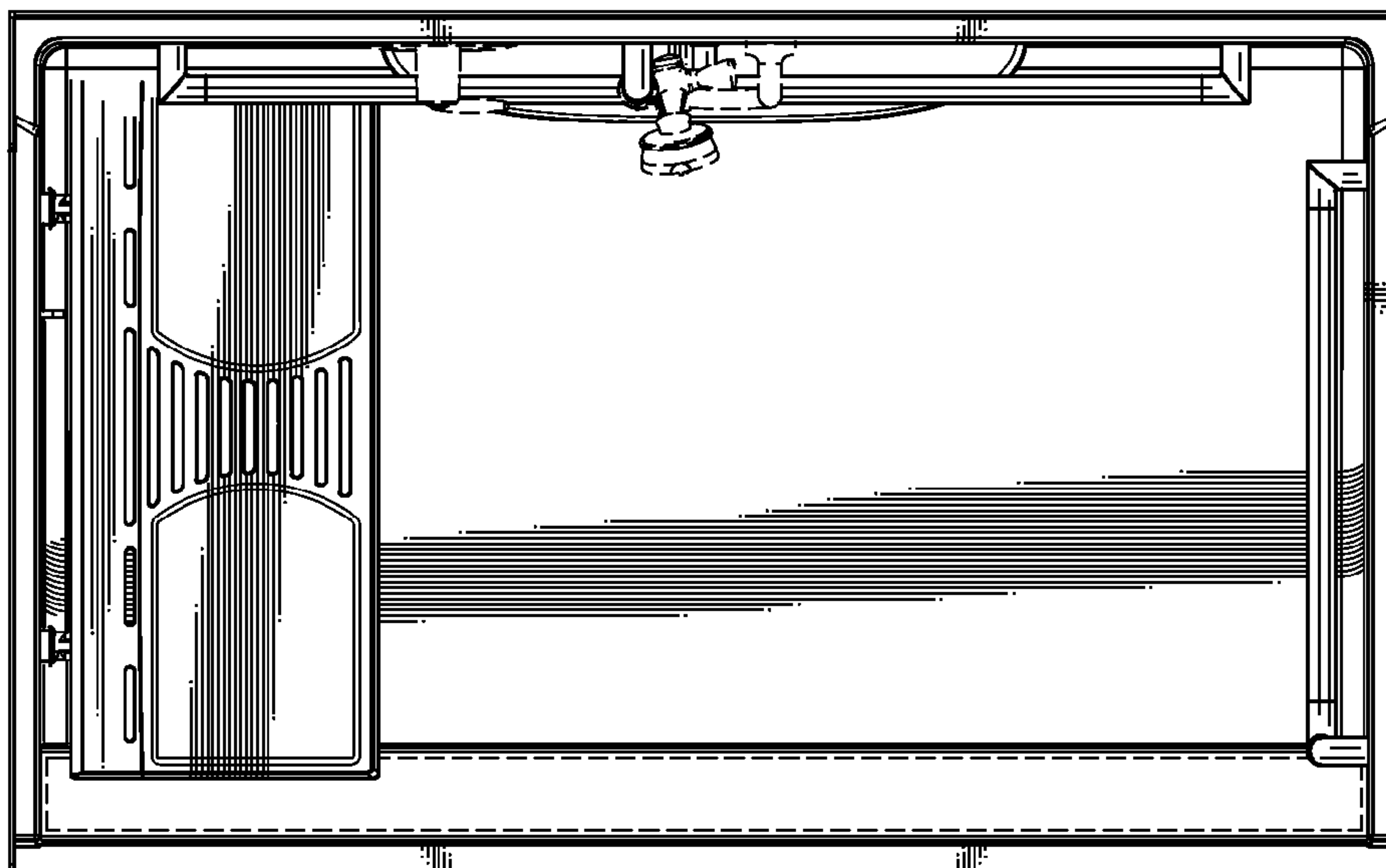


FIG.4