



US00D618771S

(12) **United States Design Patent**
Hoernig et al.

(10) **Patent No.:** **US D618,771 S**
(45) **Date of Patent:** **** Jun. 29, 2010**

(54) **SHOWER SYSTEM**

(75) Inventors: **Victor Hoernig**, Lowell, IN (US);
Charles A. Patterson, Durango, CO
(US); **Geraint Krumpe**, Chicago, IL
(US); **Man Ki Yoo**, Skokie, IL (US)

(73) Assignee: **Masco Bath Corporation**, Moorestown,
NJ (US)

(**) Term: **14 Years**

(21) Appl. No.: **29/341,827**

(22) Filed: **Aug. 13, 2009**

(51) **LOC (9) Cl.** **23-02**

(52) **U.S. Cl.** **D23/283**

(58) **Field of Classification Search** D23/275,
D23/283, 273, 303-305, 279; 4/663, 552,
4/614, 900

See application file for complete search history.

(56) **References Cited**

U.S. PATENT DOCUMENTS

- 1,076,808 A 10/1913 Arburg
- 1,197,657 A 9/1916 Orofino
- 1,781,325 A 11/1930 Dowling
- 2,048,909 A 7/1936 Woodworth
- 2,052,629 A 9/1936 Hodgson
- 2,237,076 A 4/1941 Kenney et al.
- 2,529,568 A 11/1950 O'Hara
- 2,678,083 A 5/1954 Dall et al.
- D190,624 S * 6/1961 Morrison D23/304
- 3,334,358 A 8/1967 McPherson
- 3,443,266 A 5/1969 Mongerson et al.
- D226,853 S 5/1973 Korol
- 3,967,323 A 7/1976 Serio
- 4,168,549 A 9/1979 Davies
- 4,384,376 A 5/1983 Shrode
- 4,400,835 A 8/1983 Richter
- 4,495,666 A 1/1985 Herman, Jr.
- 4,541,131 A 9/1985 Sussman
- 4,646,491 A 3/1987 Munch
- 4,680,817 A 7/1987 Sloan et al.

- 4,876,751 A 10/1989 Van Meter
- 4,897,889 A 2/1990 Baus
- 4,905,327 A 3/1990 Boublil
- 5,056,169 A 10/1991 Roguebrune
- 5,185,892 A 2/1993 Mitchell
- 5,446,929 A 9/1995 Sills et al.
- 5,463,780 A 11/1995 McAllister et al.
- D380,528 S 7/1997 D'Andrea
- D383,198 S 9/1997 Jacuzzi et al.
- 5,671,489 A 9/1997 Salach
- 5,720,056 A 2/1998 Aymes

(Continued)

FOREIGN PATENT DOCUMENTS

WO WO2006/015435 A1 2/2006

Primary Examiner—Robert A Delehanty

(74) *Attorney, Agent, or Firm*—Nirav D. Parikh; Edgar A. Zarins

(57) **CLAIM**

The ornamental design for a shower system, as shown and described.

DESCRIPTION

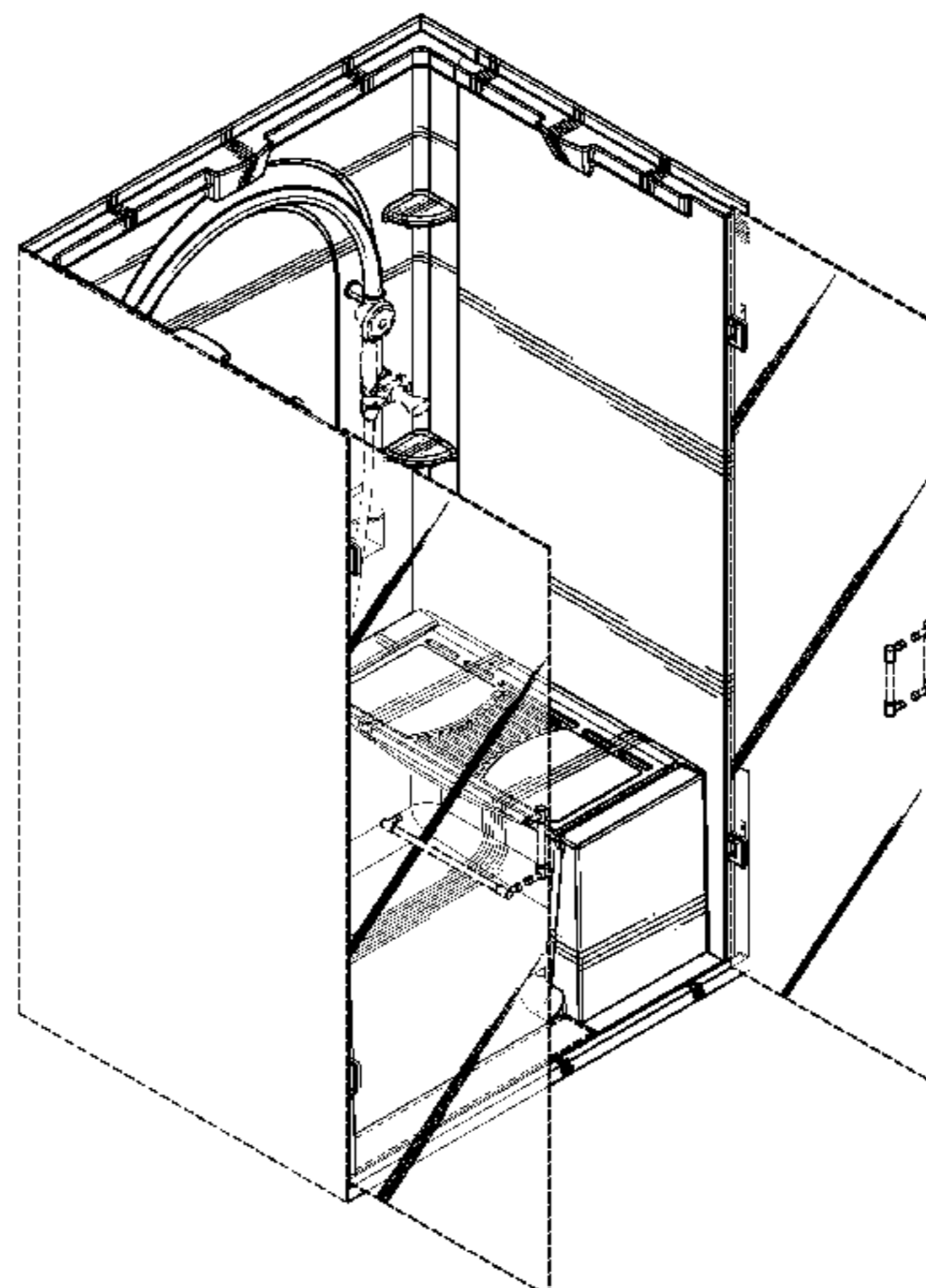
FIG. 1 is a front/left side perspective view of a shower system; FIG. 2 is a front/right side perspective view of the shower system of FIG. 1;

FIG. 3 is a front elevation view of the shower system of FIG. 1; and,

FIG. 4 is a top plan view of the shower system of FIG. 1.

The broken lines are for illustrative purposes only and form no part of the claimed design.

1 Claim, 4 Drawing Sheets



US D618,771 S

Page 2

| U.S. PATENT DOCUMENTS | | | | | | | | | |
|-----------------------|----|---------|-------------------|-------------------|---------|--------------|---------------------|--------------------|--------------|
| D405,517 | S | 2/1999 | Eeckhoudt | D561,307 | S | 2/2008 | Breymaier et al. | | |
| D412,028 | S | * | 7/1999 | Funk et al. | D23/283 | D566,251 | S | 4/2008 | Bates |
| 6,088,847 | A | 7/2000 | Burrow | D570,967 | S | 6/2008 | Hood | | |
| 6,094,757 | A | 8/2000 | Torres | D572,805 | S | 7/2008 | Daikubara et al. | | |
| 6,109,189 | A | 8/2000 | Tarver | D573,238 | S | 7/2008 | Patterson et al. | | |
| 6,226,810 | B1 | 5/2001 | Weddendorf et al. | 7,392,551 | B2 | 7/2008 | Lanius | | |
| D444,866 | S | 7/2001 | Paredes | 7,392,553 | B2 | 7/2008 | Uhl et al. | | |
| 6,360,380 | B1 | 3/2002 | Swart et al. | D578,185 | S | 10/2008 | Biagi et al. | | |
| 6,408,456 | B1 | 6/2002 | Fike et al. | D578,186 | S | 10/2008 | Biagi et al. | | |
| 6,618,871 | B2 | 9/2003 | Kopacz et al. | D578,187 | S | 10/2008 | Biagi et al. | | |
| 6,643,861 | B2 | 11/2003 | Sherlock et al. | D578,623 | S | 10/2008 | Biagi et al. | | |
| 6,807,689 | B1 | 10/2004 | Royko et al. | D578,624 | S | 10/2008 | Biagi et al. | | |
| 6,893,704 | B1 | 5/2005 | van der Loo | D580,026 | S | 11/2008 | Biagi et al. | | |
| 6,912,740 | B2 | 7/2005 | Fainberg | D588,237 | S | 3/2009 | Patterson et al. | | |
| 6,915,535 | B2 | 7/2005 | Sieger et al. | D591,521 | S | * | 5/2009 | Luxton et al. | D6/362 |
| 6,938,868 | B2 | 9/2005 | Pence | D614,749 | * | 4/2010 | Hoernig et al. | D23/283 | |
| 7,007,315 | B2 | 3/2006 | Stonecipher | 2005/0102746 | A1 | 5/2005 | Wright et al. | | |
| D522,636 | S | 6/2006 | Lanius | 2005/0246830 | A1 | 11/2005 | Galyean, Jr. et al. | | |
| D527,084 | S | 8/2006 | Helmetsie | 2006/0236452 | A1 | 10/2006 | Polimeno | | |
| 7,121,620 | B1 | 10/2006 | Fang | 2007/0067903 | A1 | 3/2007 | Hatrick-Smith | | |
| 7,155,757 | B1 | 1/2007 | Zamora, Jr. | 2007/0199263 | A1 | 8/2007 | Kern et al. | | |
| D560,770 | S | * | 1/2008 | Koury et al. | D23/283 | 2008/0190048 | A1 | 8/2008 | Kitakado |
| | | | | | | 2009/0100592 | A1 | 4/2009 | Biagi et al. |

* cited by examiner

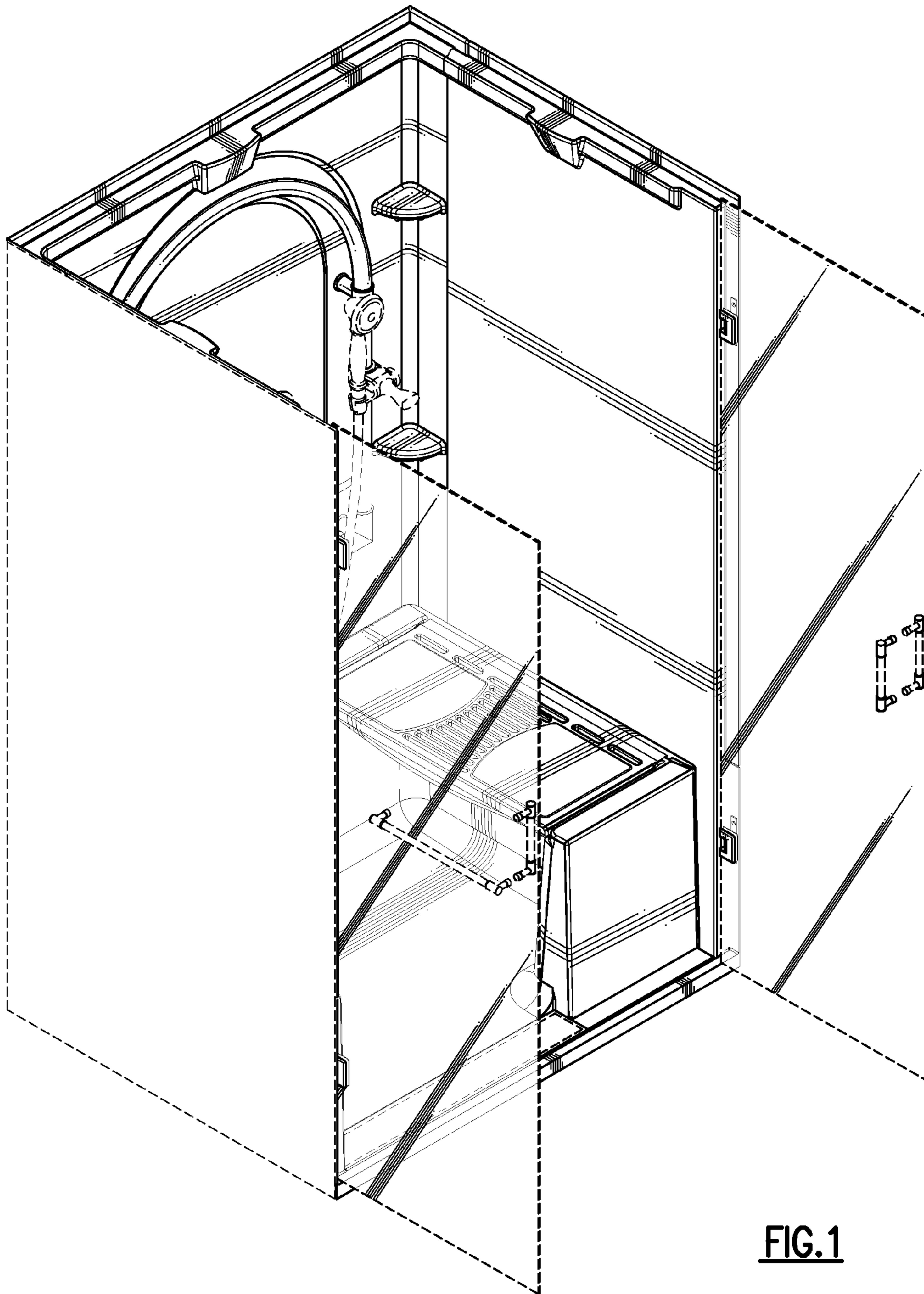


FIG. 1

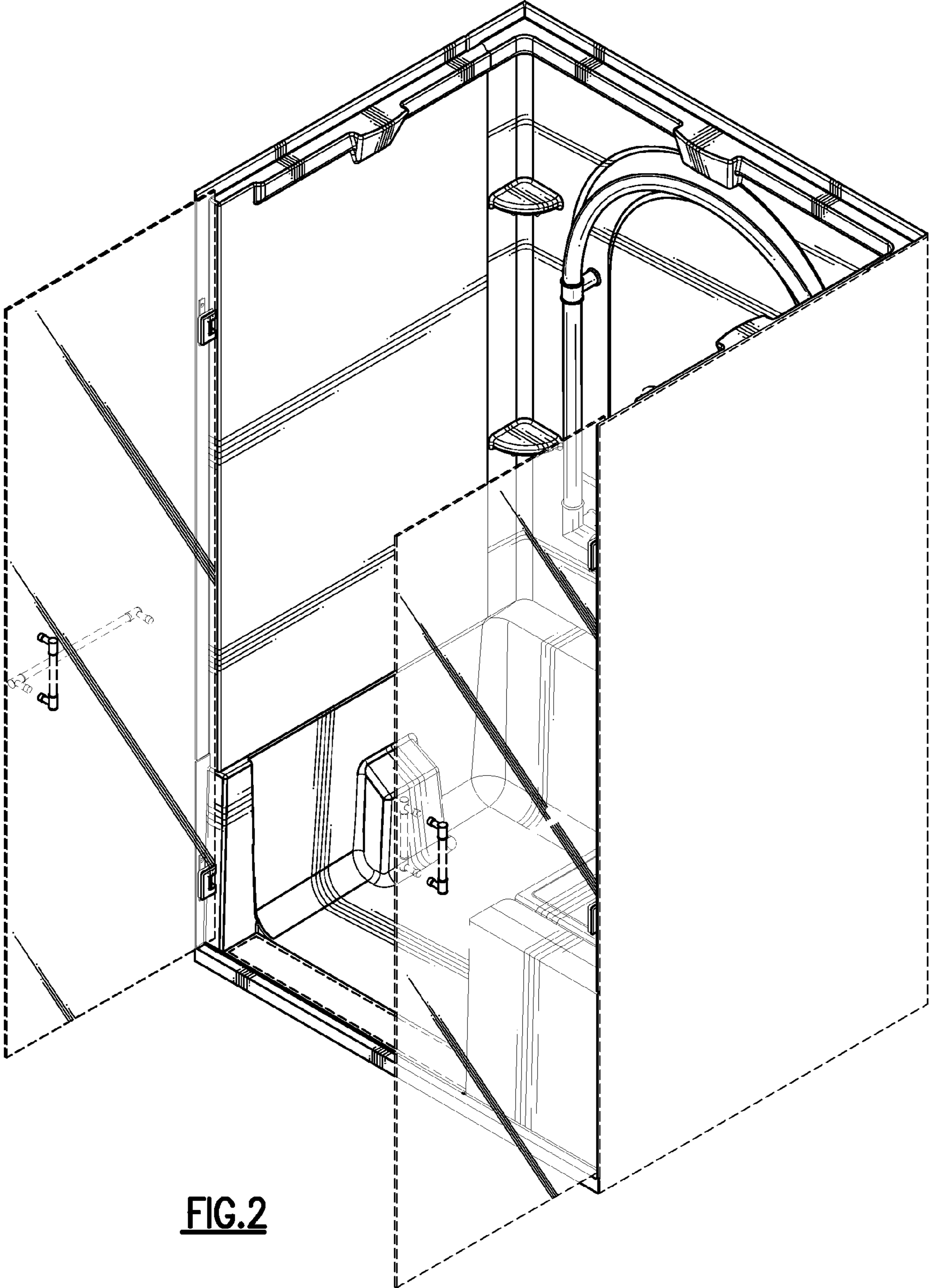


FIG.2

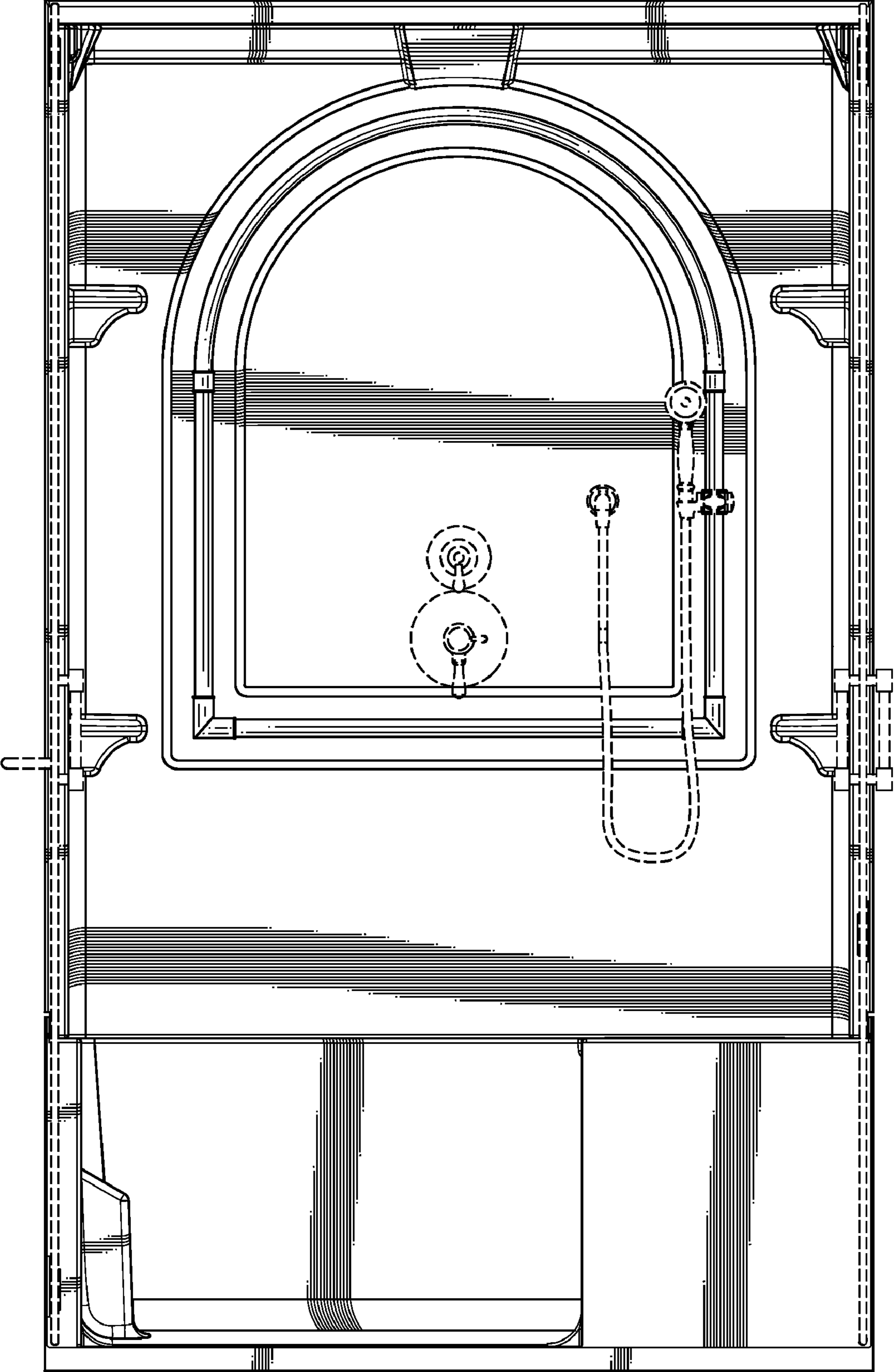


FIG.3

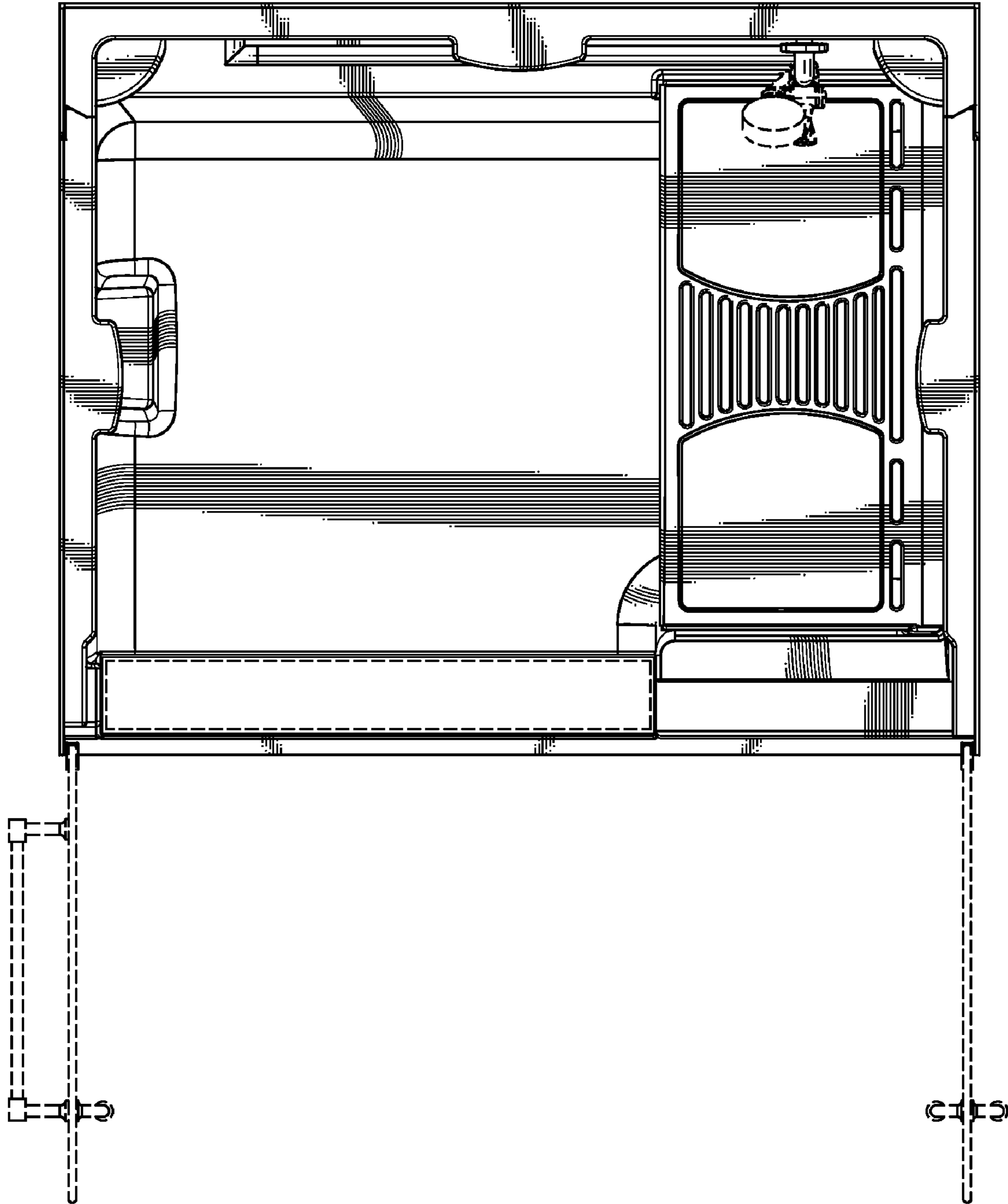


FIG. 4