



US00D618767S

(12) **United States Design Patent**
Peng

(10) **Patent No.:** **US D618,767 S**

(45) **Date of Patent:** **** Jun. 29, 2010**

(54) **SHOWER DRAIN SYSTEM**

2010/0083439 A1* 4/2010 Stimpson 4/613

(76) Inventor: **I-Sin Peng**, No. 410, Sec. 2, Henan Rd.,
Situn District, Taichung City 407 (TW)

* cited by examiner

(**) Term: **14 Years**

Primary Examiner—T. Chase Nelson
Assistant Examiner—Eric L Goodman
(74) *Attorney, Agent, or Firm*—Jackson IPG PLLC

(21) Appl. No.: **29/355,830**

(22) Filed: **Feb. 15, 2010**

(57) **CLAIM**

(51) **LOC (9) Cl.** **23-01**

The ornamental design for a shower drain system, as shown and described.

(52) **U.S. Cl.** **D23/261**

(58) **Field of Classification Search** D23/259–269;
4/309, 222.1, 286–294, 178

DESCRIPTION

See application file for complete search history.

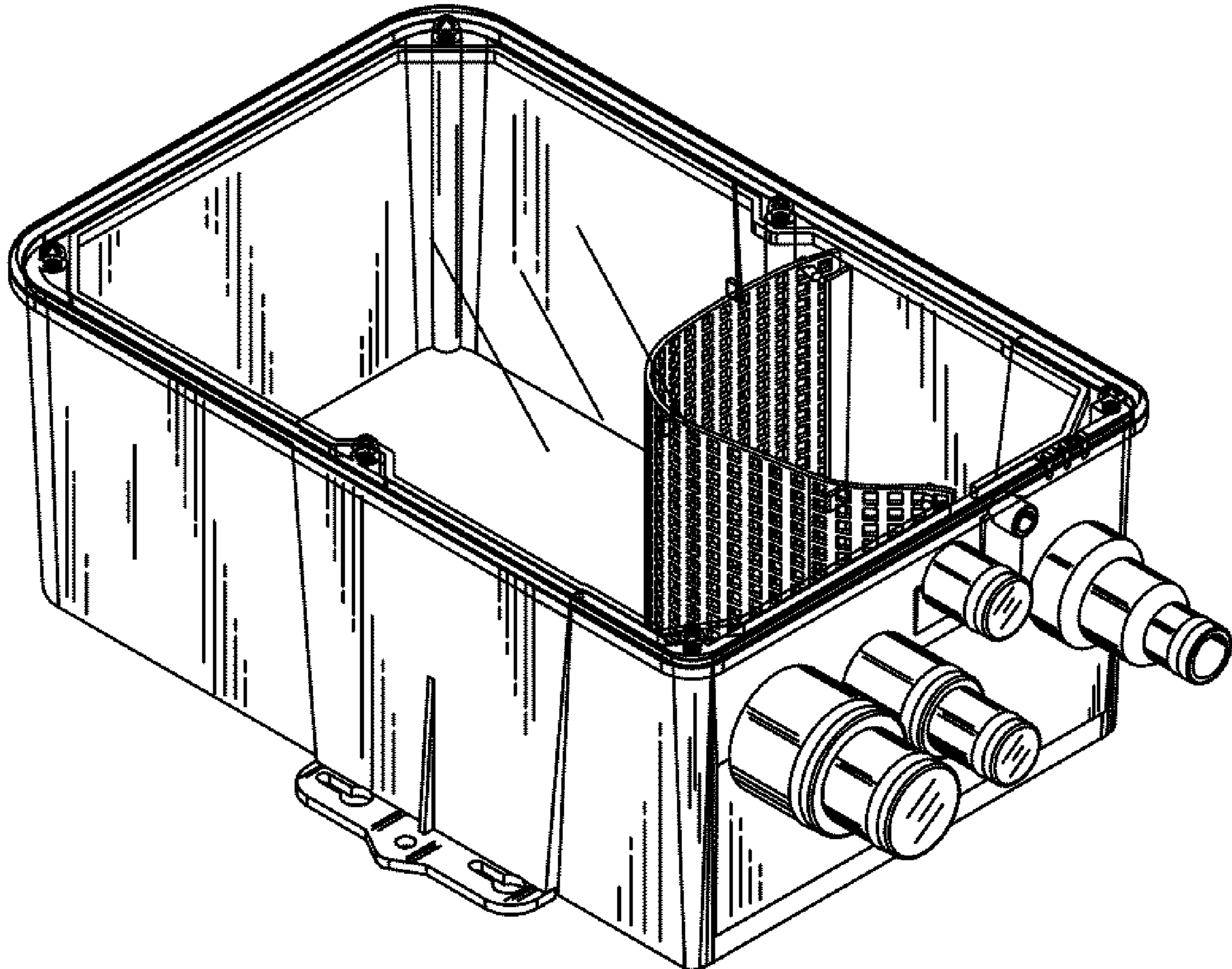
FIG. 1 is a rear elevation view thereof;
FIG. 2 is a front elevation view thereof;
FIG. 3 is a left side view thereof;
FIG. 4 is a right side view thereof;
FIG. 5 is a top plan view thereof;
FIG. 6 is a bottom plan view thereof; and,
FIG. 7 is a perspective view of a shower drain system showing my new design.

(56) **References Cited**

U.S. PATENT DOCUMENTS

3,668,718	A *	6/1972	Cuschera	4/288
D316,594	S *	4/1991	Yuen	D23/261
6,192,532	B1 *	2/2001	Sesser et al.	4/679
D468,001	S *	12/2002	Teskey	D23/259
7,467,425	B2 *	12/2008	Harmes	4/286
2006/0207003	A1 *	9/2006	Harmes	4/286
2010/0043136	A1 *	2/2010	Michael	4/613

1 Claim, 4 Drawing Sheets



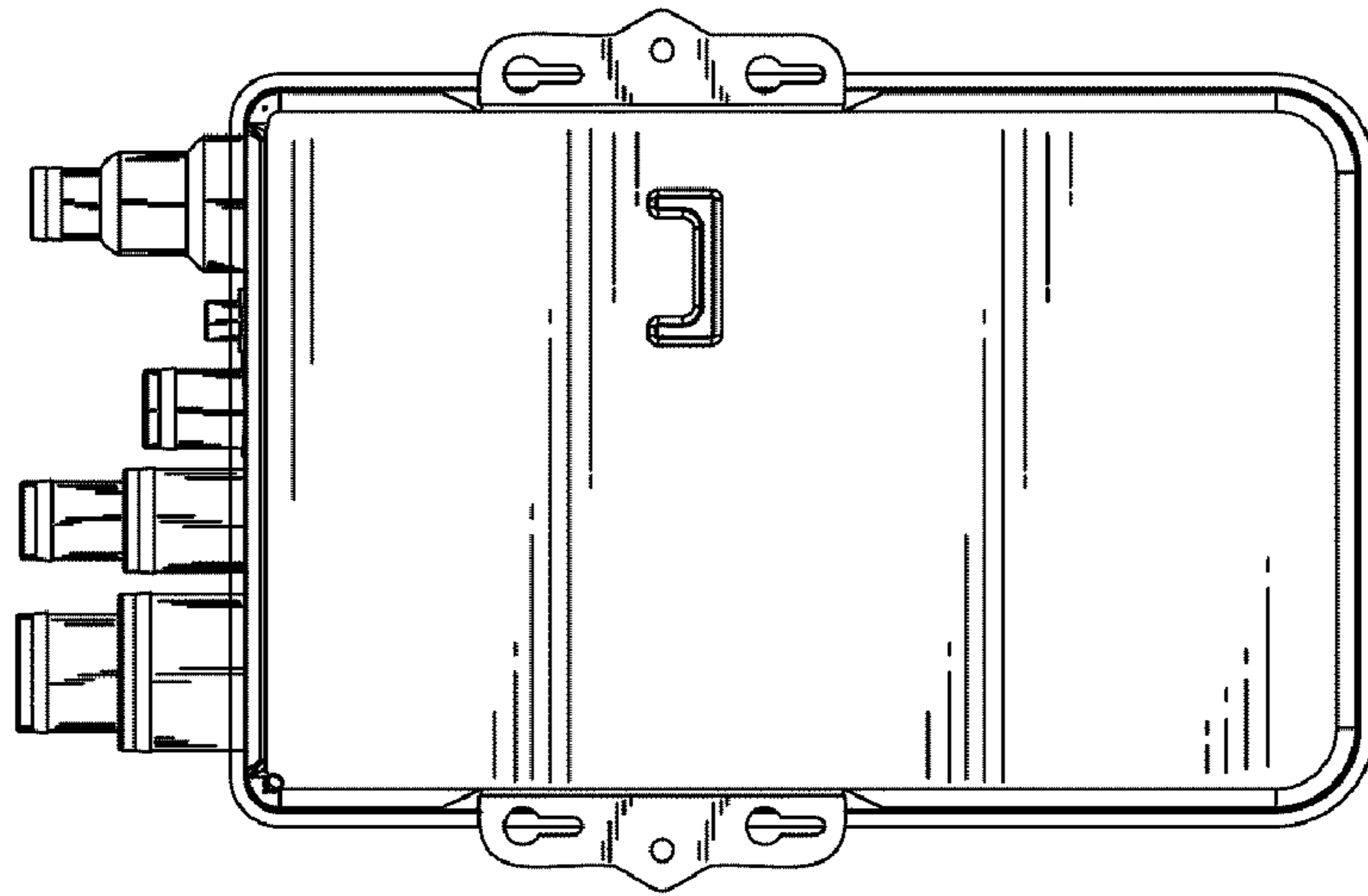


Fig. 1

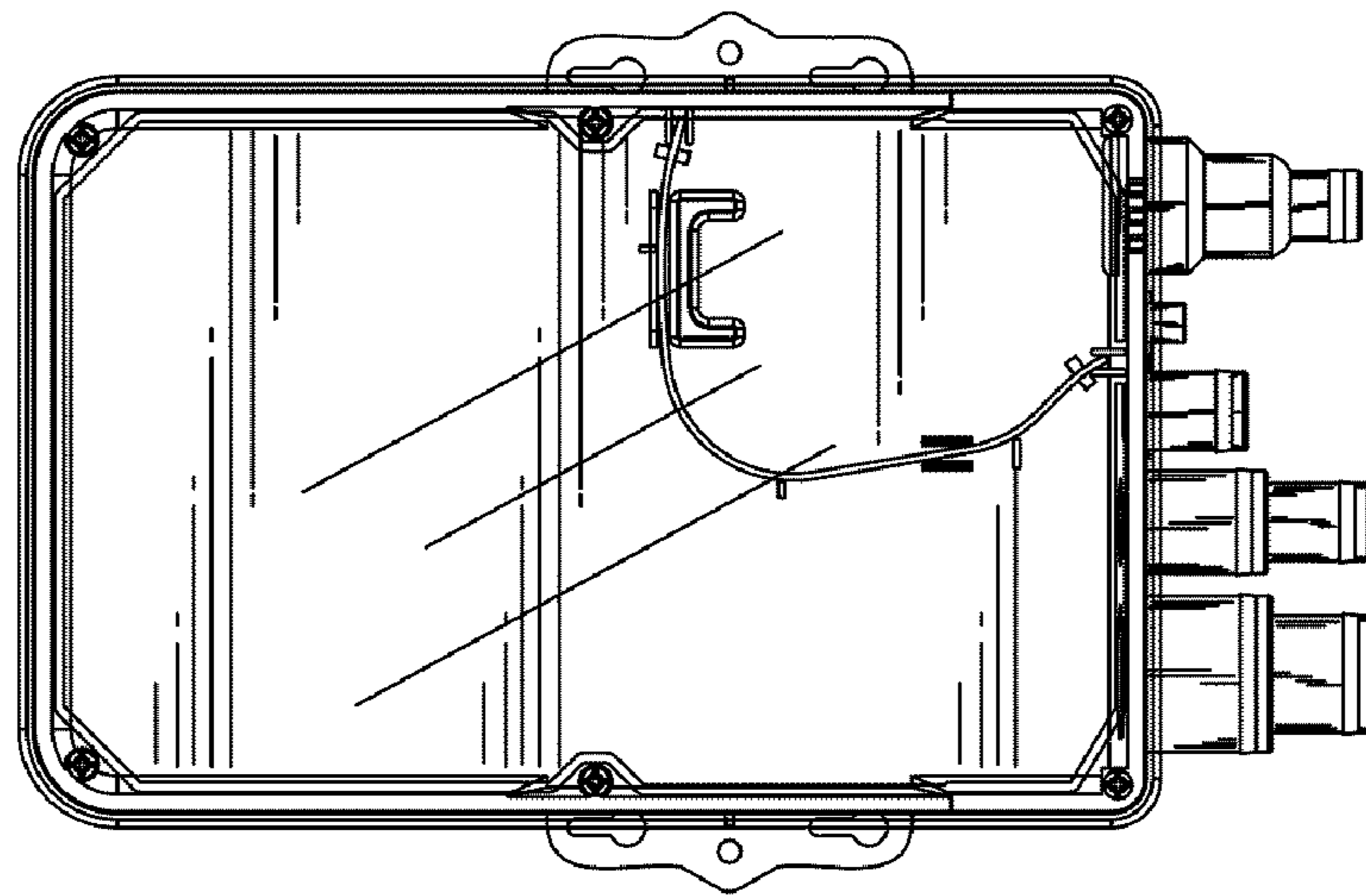


Fig. 2

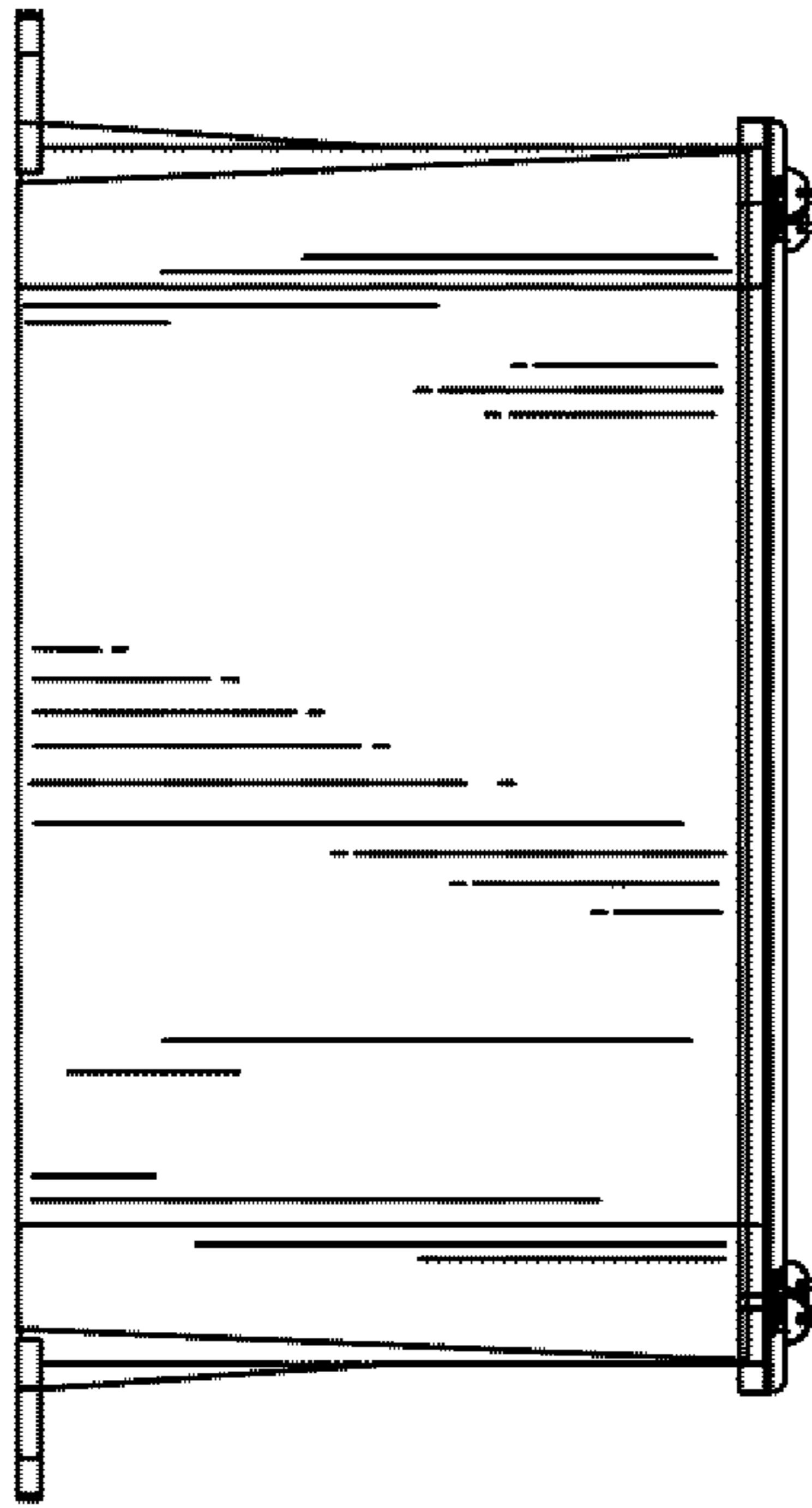


Fig. 3

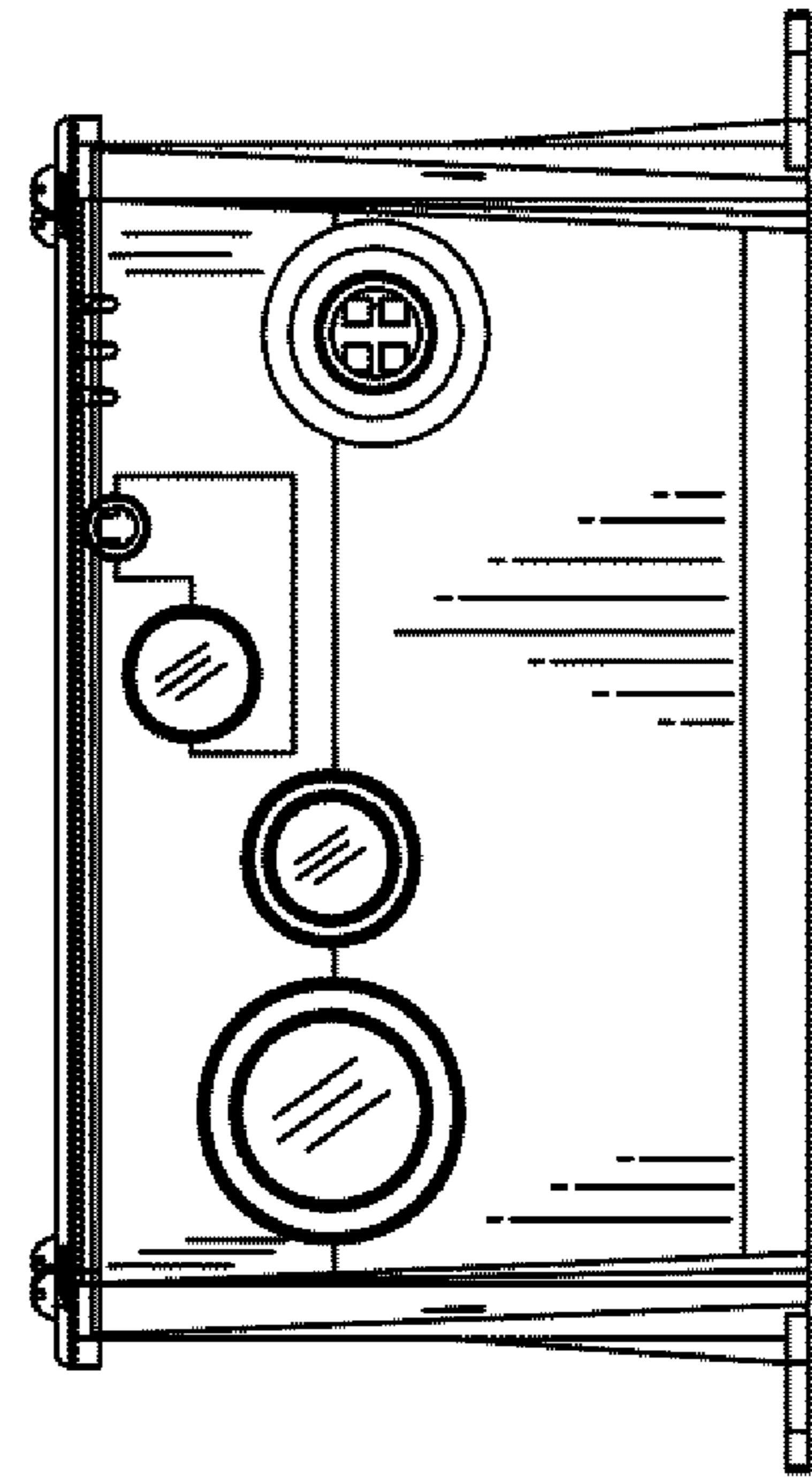


Fig. 4

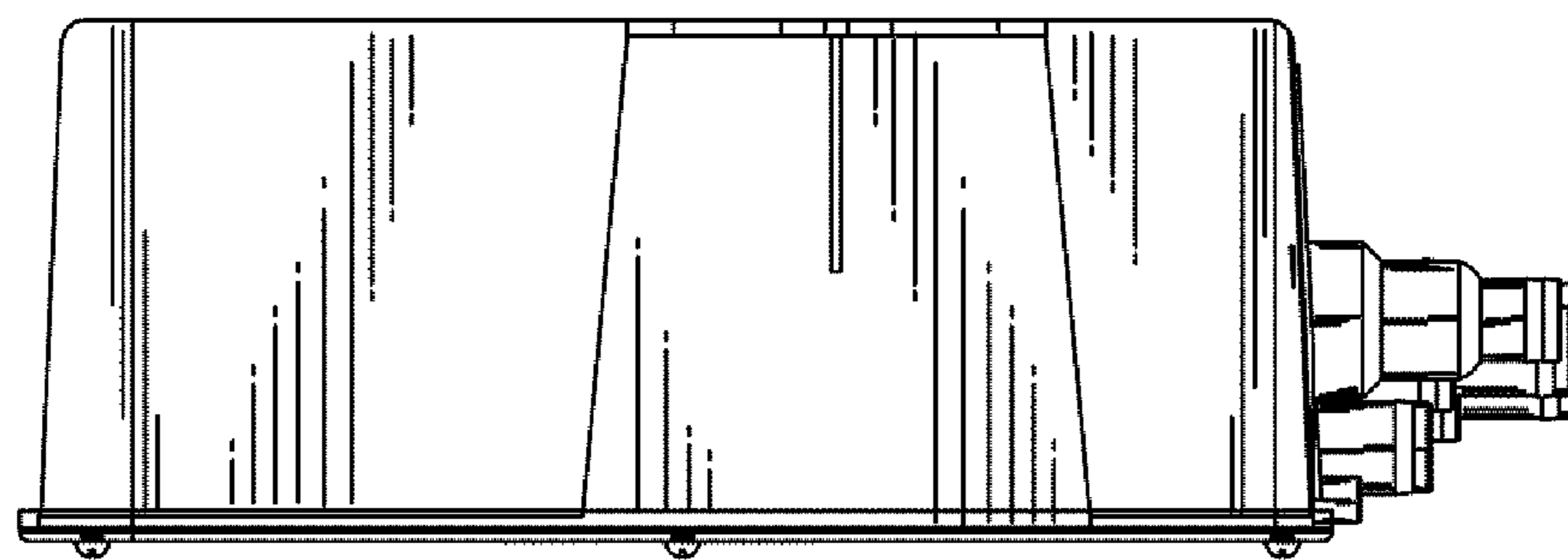


Fig. 5

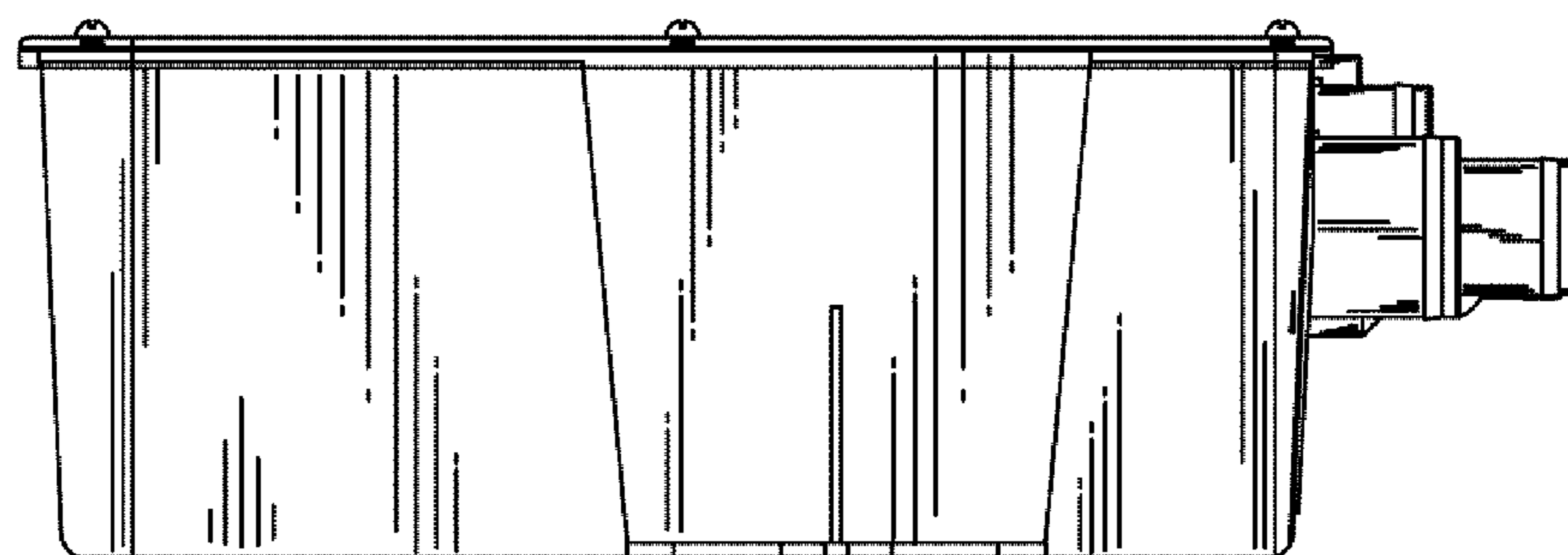


Fig. 6

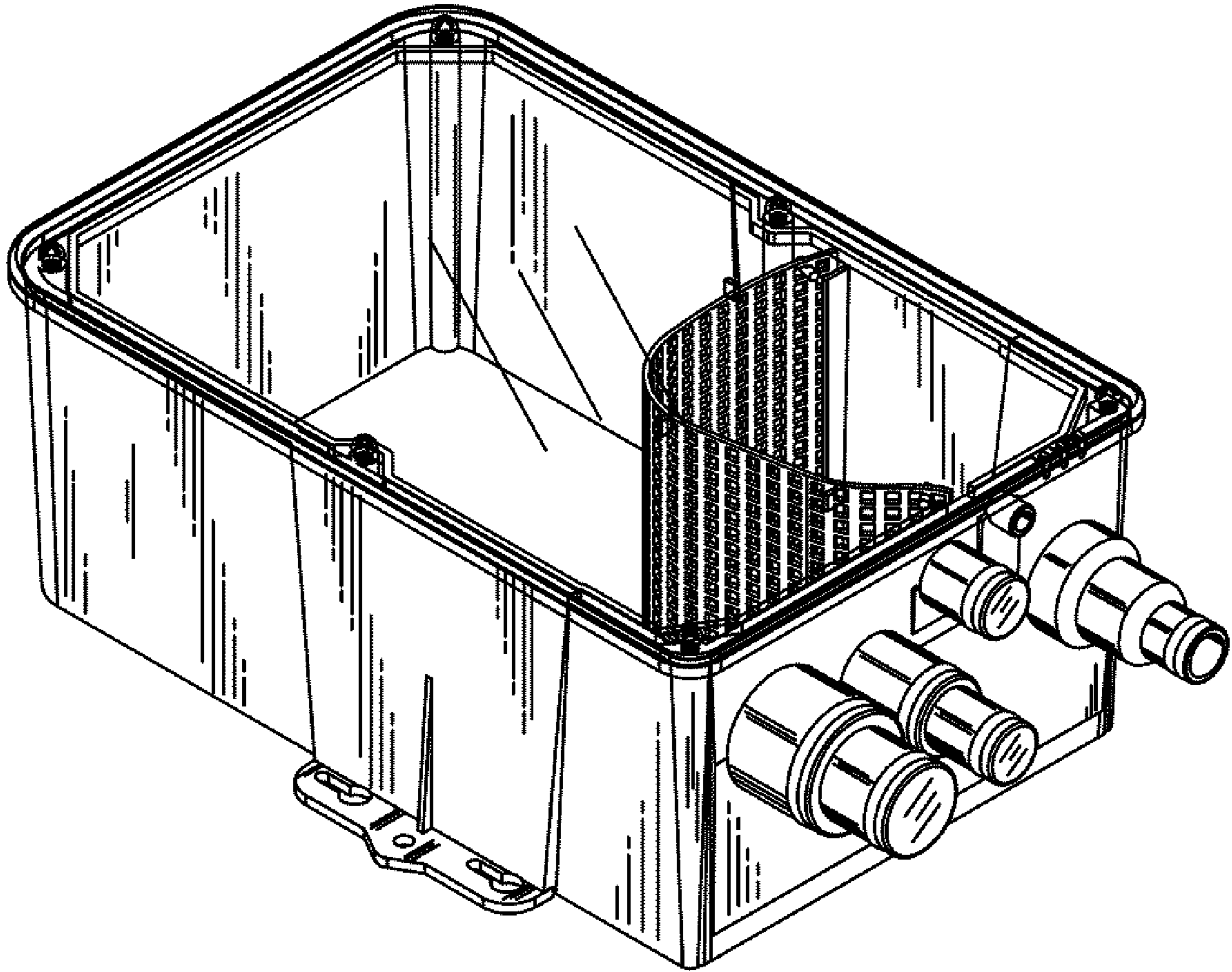


Fig. 7