



US00D618765S

(12) **United States Design Patent**
Wang

(10) **Patent No.:** **US D618,765 S**
(45) **Date of Patent:** **** Jun. 29, 2010**

(54) **FAUCET**

(75) Inventor: **Yansong Wang**, Taichung (TW)

(73) Assignee: **Globe Union Industrial Corp.**,
Taichung (TW)

(**) Term: **14 Years**

(21) Appl. No.: **29/351,122**

(22) Filed: **Dec. 1, 2009**

(51) **LOC (9) Cl.** **23-01**

(52) **U.S. Cl.** **D23/238**

(58) **Field of Classification Search** D23/200,
D23/238-257; D6/512, 546, 550; D8/300,
D8/306-308, 310-312, 321; 4/675-678;
137/801; 16/110.1, 441

See application file for complete search history.

(56) **References Cited**

U.S. PATENT DOCUMENTS

D301,162 S *	5/1989	Oberdorfer	D23/238
D385,619 S *	10/1997	Ko	D23/238
D390,919 S *	2/1998	Lobermeier	D23/238
D461,874 S *	8/2002	Gottwald	D23/238
D528,188 S *	9/2006	Lammel et al.	D23/238
D529,131 S *	9/2006	Haug et al.	D23/238

D540,913 S *	4/2007	Haug et al.	D23/238
D541,381 S *	4/2007	Haug et al.	D23/238
D541,906 S *	5/2007	Qing	D23/238
D548,308 S *	8/2007	Hoernig	D23/238
D579,081 S *	10/2008	Ziemann et al.	D23/238
D586,881 S *	2/2009	Lammel et al.	D23/238
D586,884 S *	2/2009	Kollmann et al.	D23/238

* cited by examiner

Primary Examiner—T. Chase Nelson

Assistant Examiner—Mark Cavanna

(74) *Attorney, Agent, or Firm*—Leong C. Lei

(57) **CLAIM**

The ornamental design for a faucet, as shown and described.

DESCRIPTION

FIG. 1 is a perspective view of a faucet showing my new design;

FIG. 2 is a front elevational view thereof;

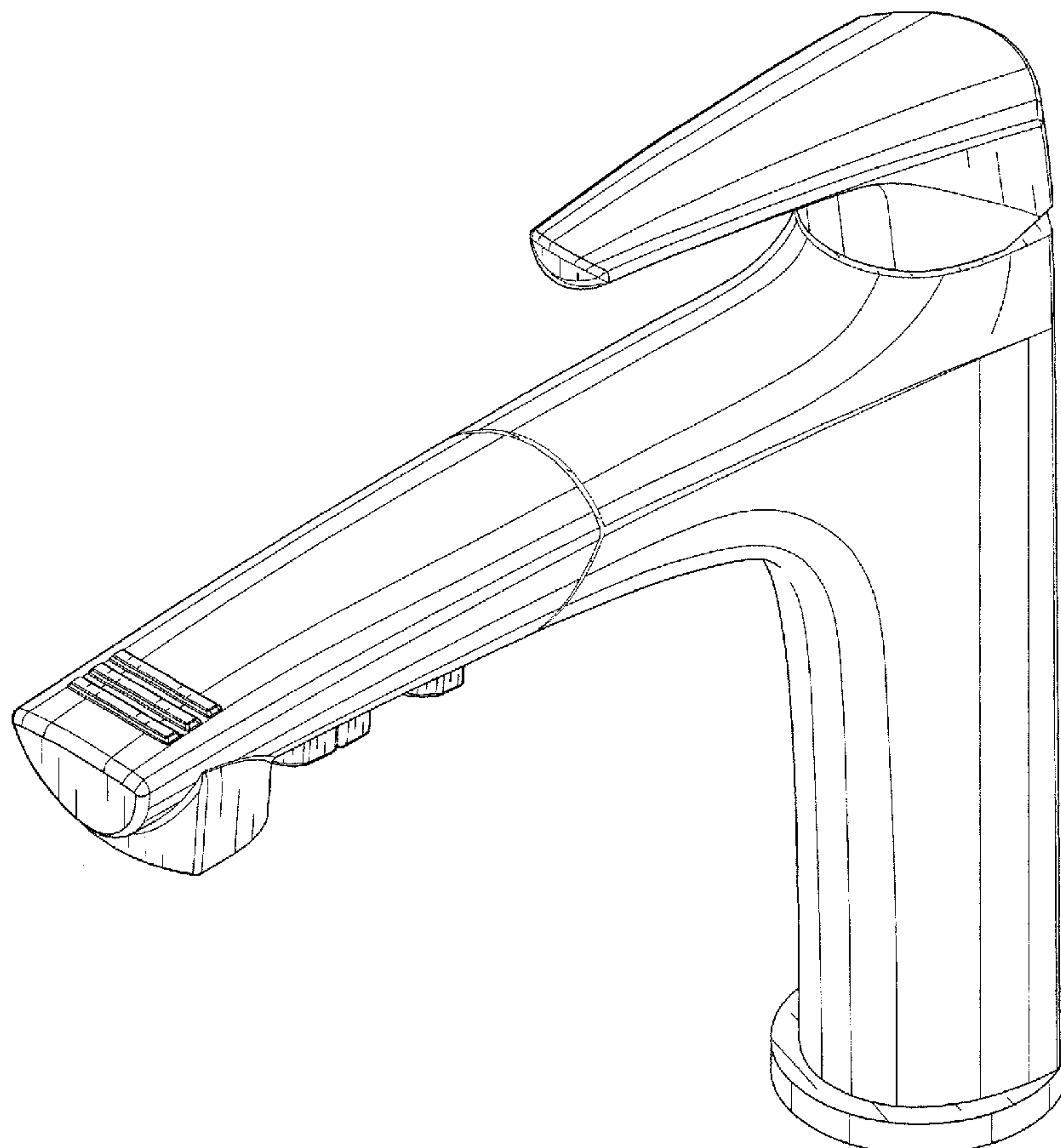
FIG. 3 is a rear elevational view thereof;

FIG. 4 is a left side elevational view thereof;

FIG. 5 is a right side elevational view thereof; and,

FIG. 6 is a top plan view thereof.

1 Claim, 6 Drawing Sheets



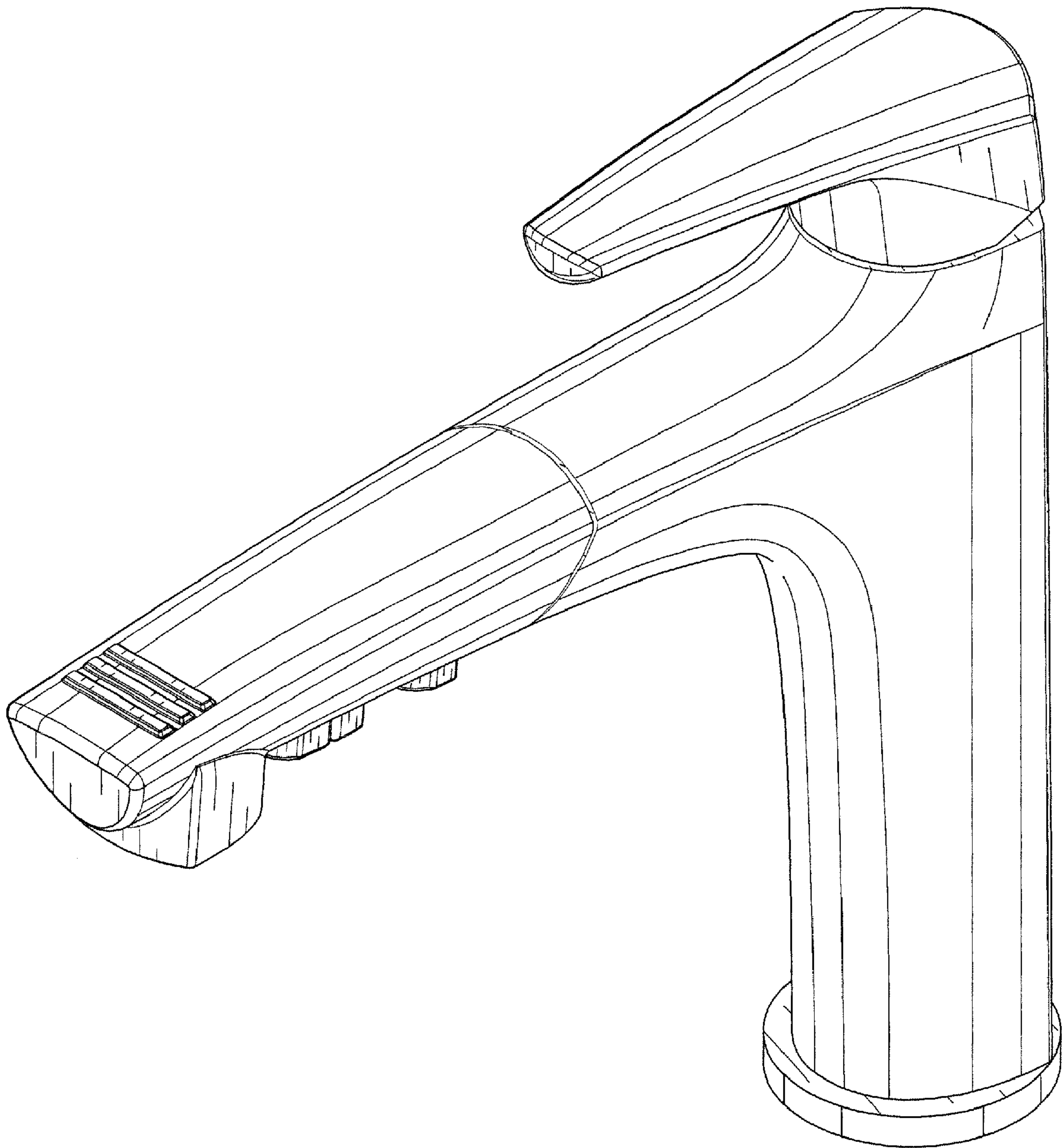


FIG. 1

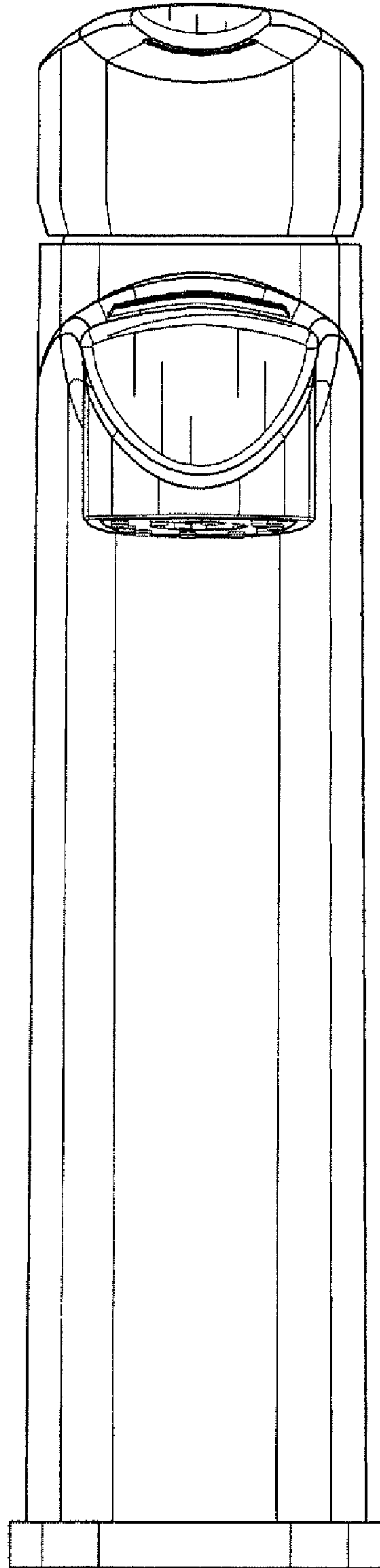


FIG. 2

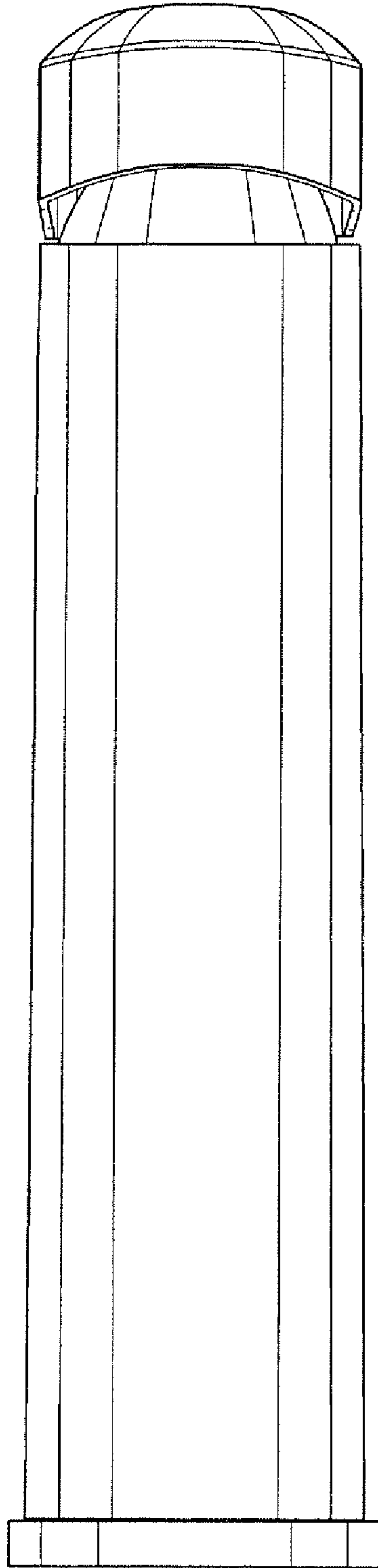


FIG. 3

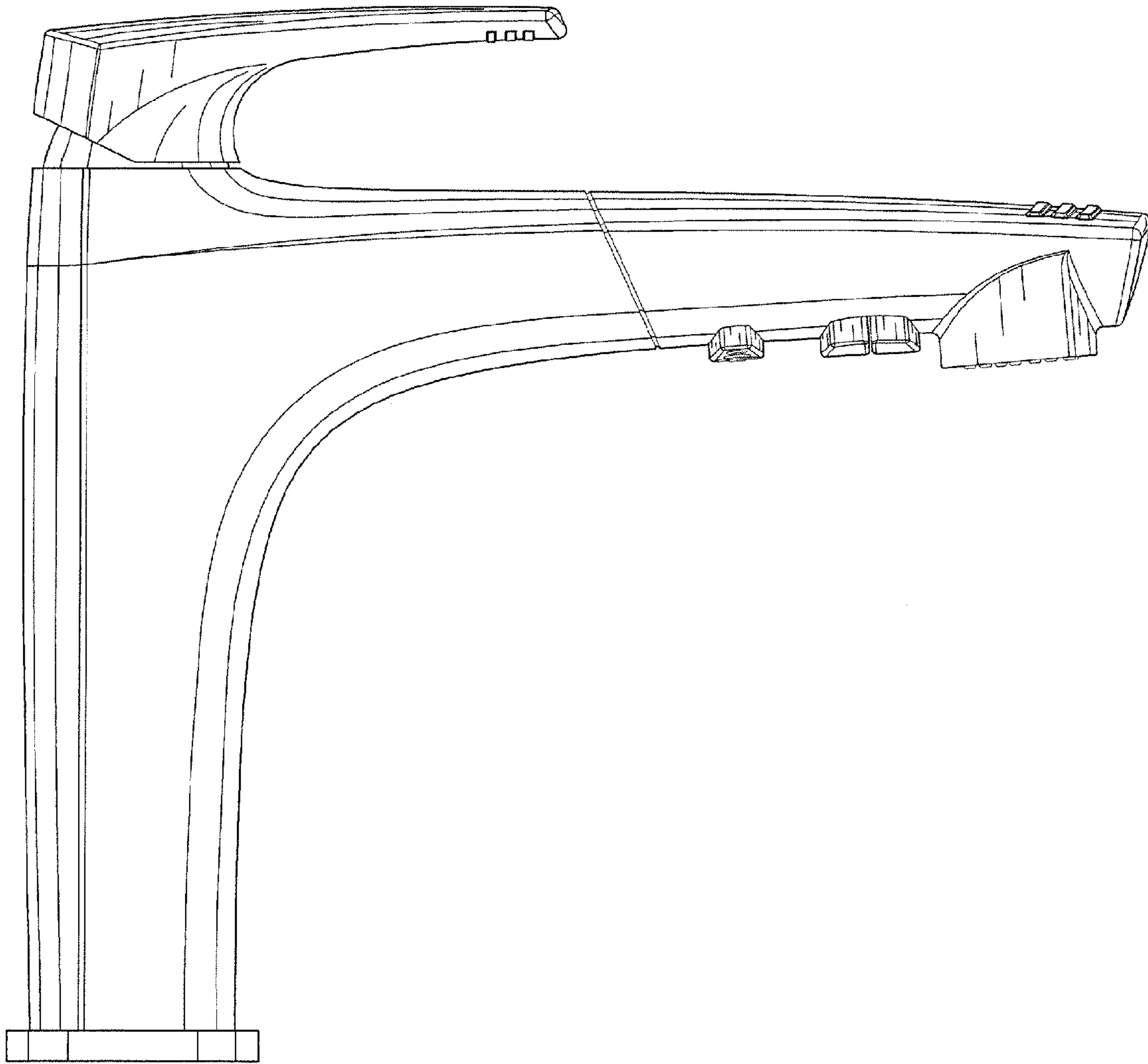


FIG. 4

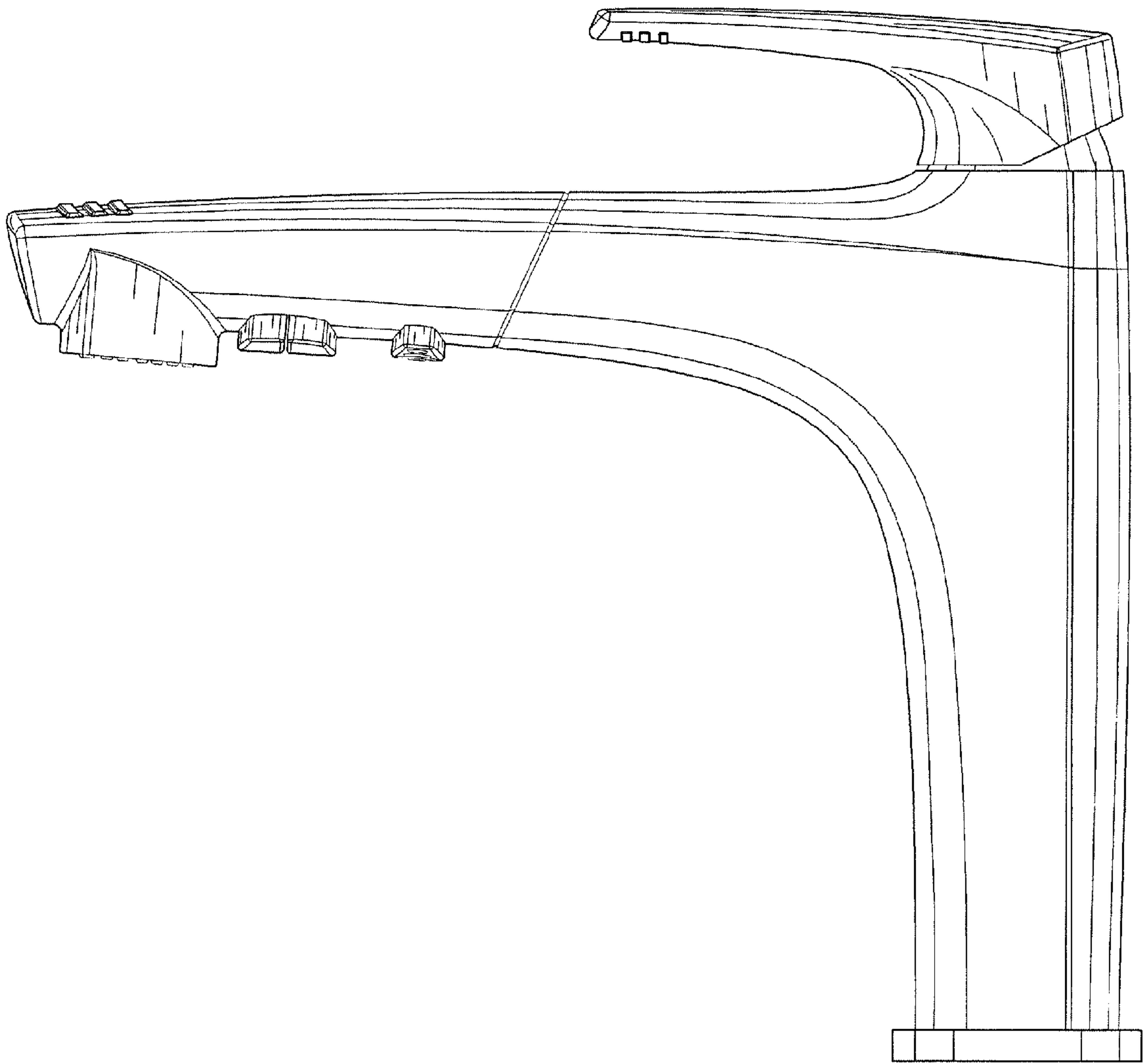


FIG. 5

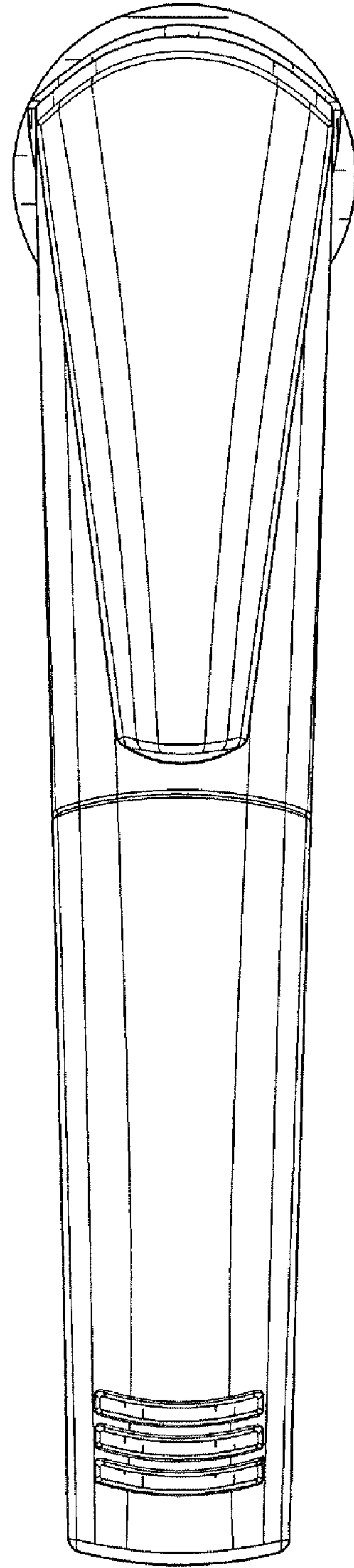


FIG. 6