



US00D618764S

(12) **United States Design Patent**
Gao

(10) **Patent No.:** **US D618,764 S**
(45) **Date of Patent:** **** Jun. 29, 2010**

(54) **FAUCET**

(75) Inventor: **Wu Qin Gao**, Qingdao (CN)

(73) Assignee: **Globe Union Industrial Corp.**,
Taichung (TW)

(**) Term: **14 Years**

(21) Appl. No.: **29/337,533**

(22) Filed: **May 25, 2009**

(51) **LOC (9) Cl.** **23-01**

(52) **U.S. Cl.** **D23/238**

(58) **Field of Classification Search** D23/200,
D23/238-257; D6/512, 546, 550; D8/300,
D8/307-308, 310-312, 321; 4/675-678;
137/801; 16/110.1, 441

See application file for complete search history.

(56) **References Cited**

U.S. PATENT DOCUMENTS

D301,053 S *	5/1989	Rodstein	D23/242
D301,162 S *	5/1989	Oberdorfer	D23/238
D321,039 S *	10/1991	Robbins	D23/255
D326,504 S *	5/1992	Robbins	D23/255
D441,429 S *	5/2001	Mullenmeister	D23/238
D478,370 S *	8/2003	Ouyoung	D23/238
D510,411 S *	10/2005	Lord	D23/238
D511,811 S *	11/2005	Lord	D23/238
D520,608 S *	5/2006	Fritz	D23/255
D528,633 S *	9/2006	Bayer	D23/238

D529,991 S *	10/2006	Egli et al.	D23/238
D534,251 S *	12/2006	Barry	D23/255
D540,913 S *	4/2007	Haug et al.	D23/238
D543,415 S *	5/2007	Duranti	D7/398
D580,528 S *	11/2008	Urquiola	D23/255
D582,514 S *	12/2008	Painter	D23/238
D585,524 S *	1/2009	Schoenherr et al.	D23/238
D586,429 S *	2/2009	Fritz	D23/238
D590,050 S *	4/2009	Miyamoto	D23/255
D590,479 S *	4/2009	Shieh	D23/238
D594,532 S *	6/2009	Schoenherr et al.	D23/238

* cited by examiner

Primary Examiner—T. Chase Nelson

Assistant Examiner—Mark Cavanna

(74) *Attorney, Agent, or Firm*—Leong C. Lei

(57) **CLAIM**

The ornamental design for a faucet, as shown and described.

DESCRIPTION

FIG. 1 is a perspective view of a faucet showing my new design;

FIG. 2 is a front elevational view thereof;

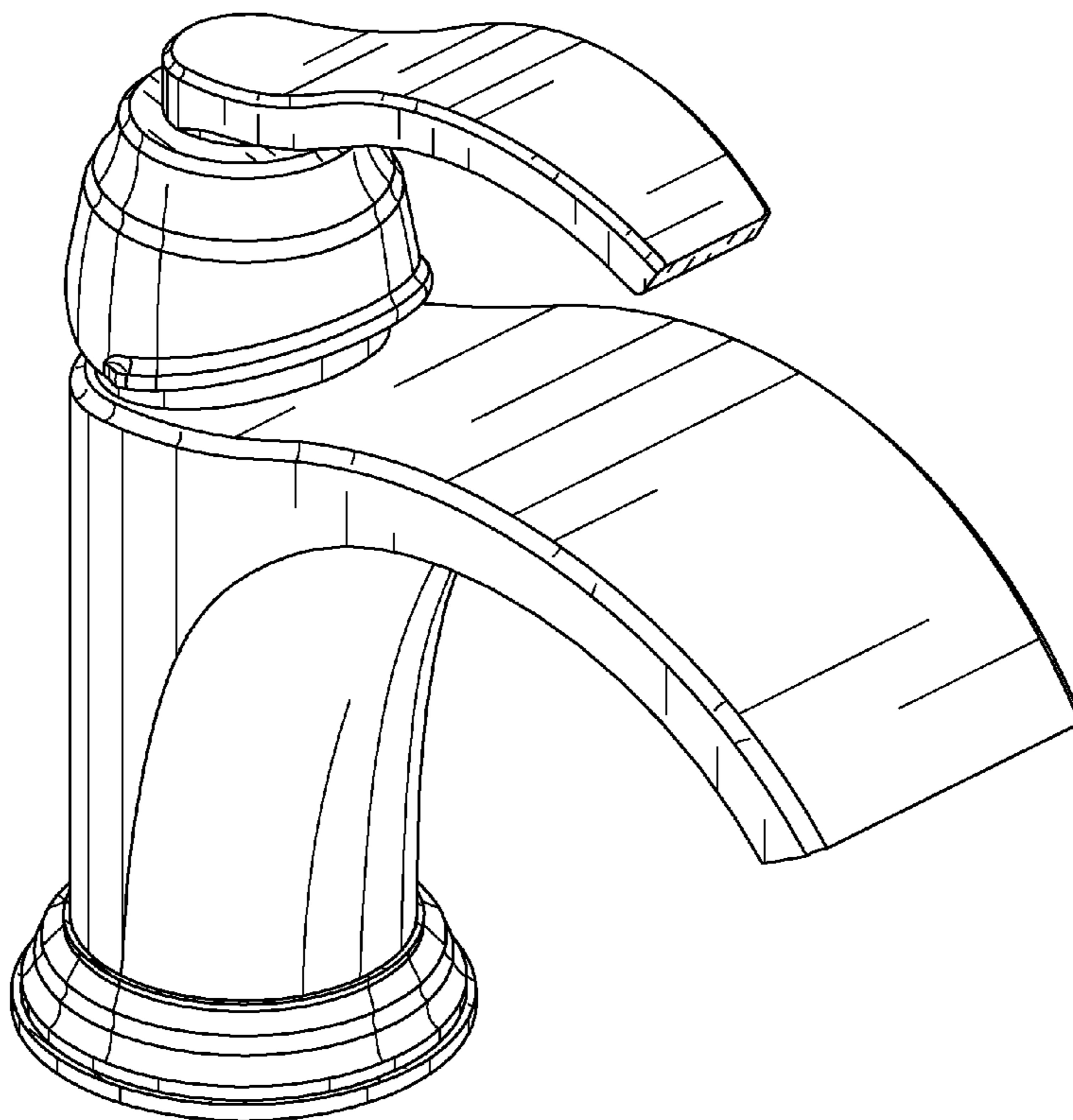
FIG. 3 is a rear side elevational view thereof;

FIG. 4 is a left side elevational view thereof;

FIG. 5 is a right side elevational view thereof; and,

FIG. 6 is a top plan view thereof.

1 Claim, 6 Drawing Sheets



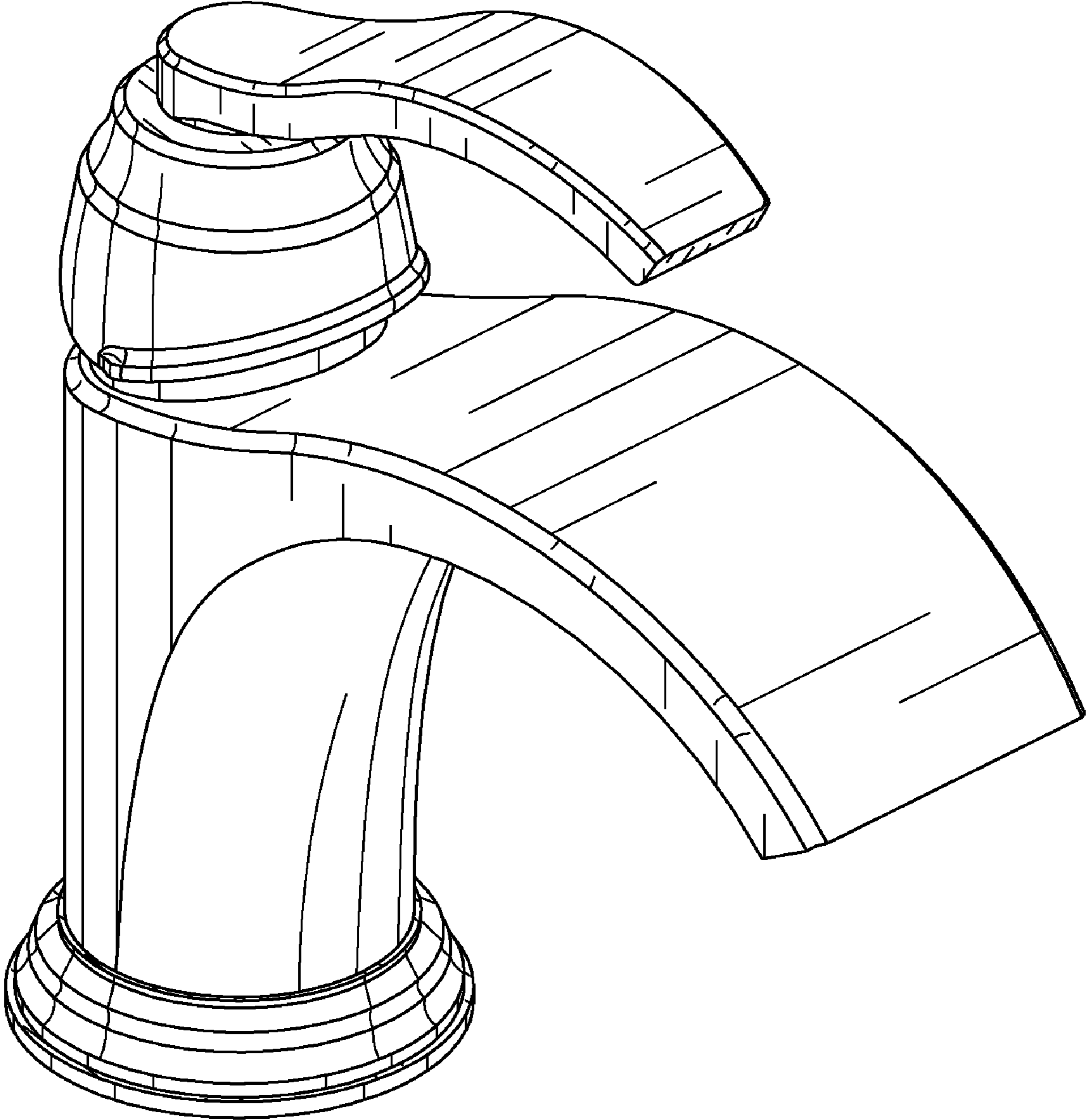


FIG. 1

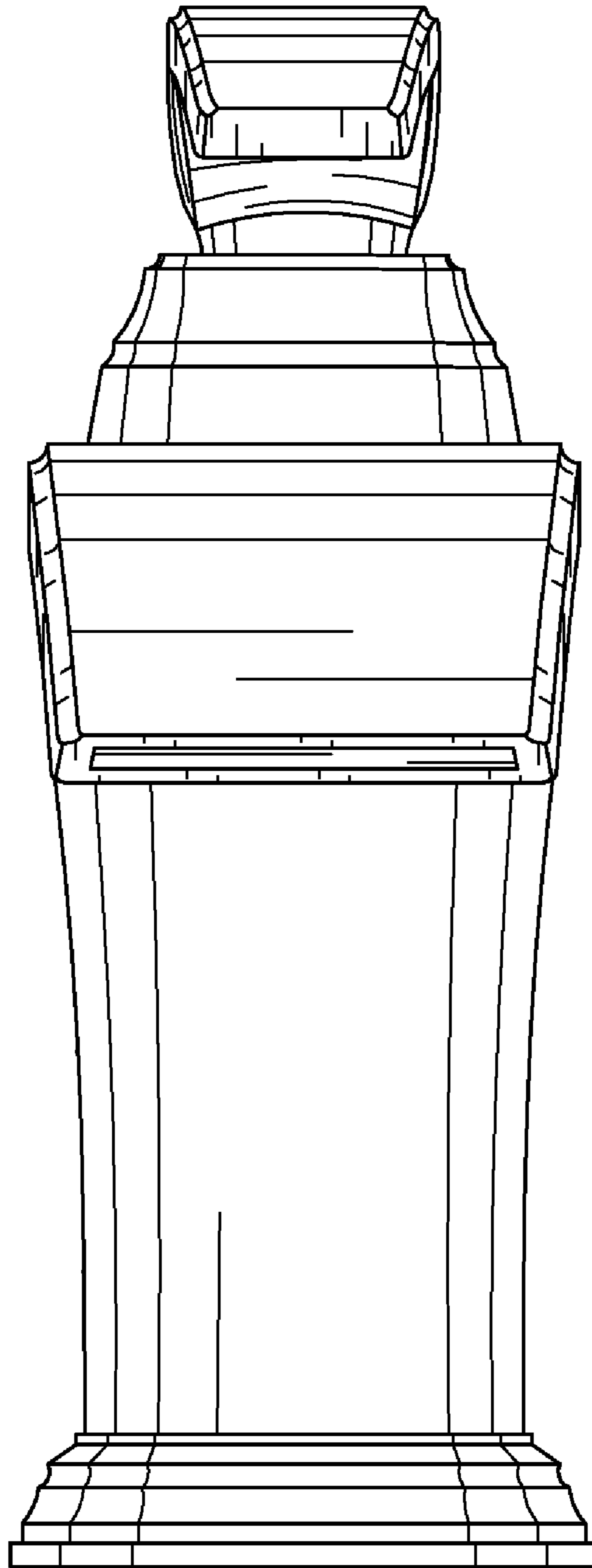


FIG. 2

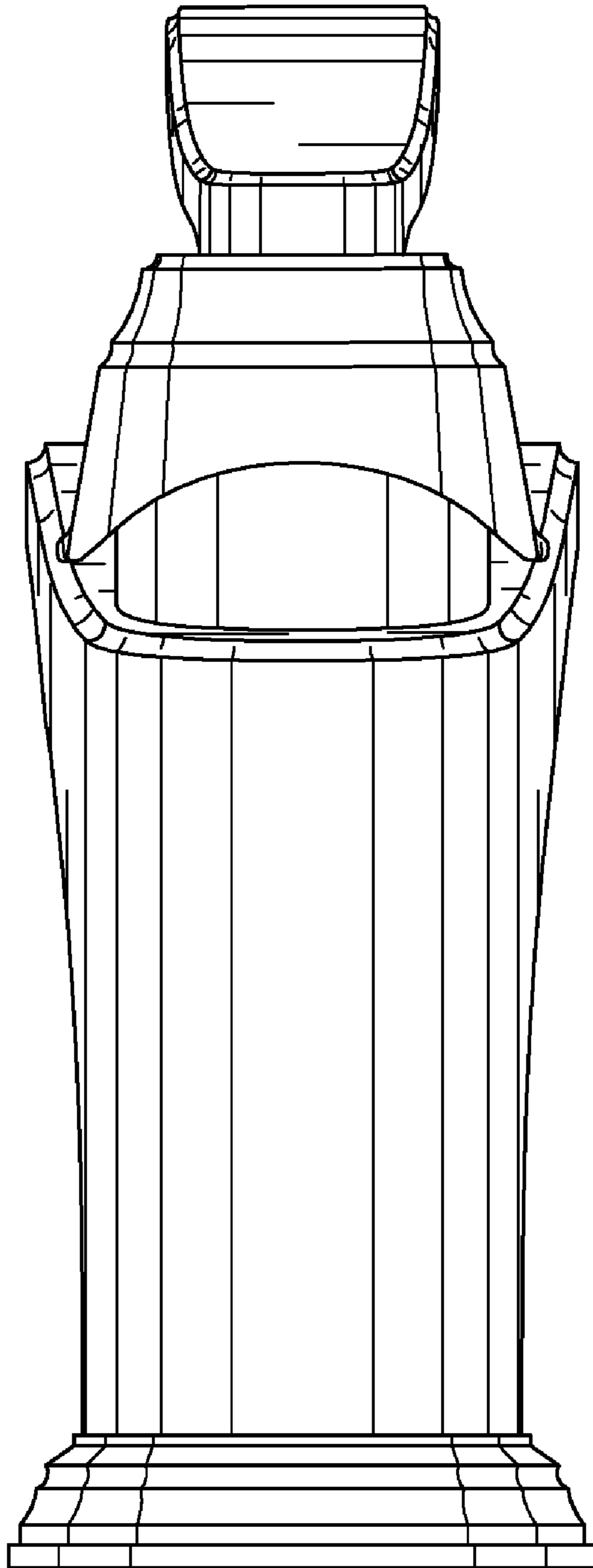


FIG. 3

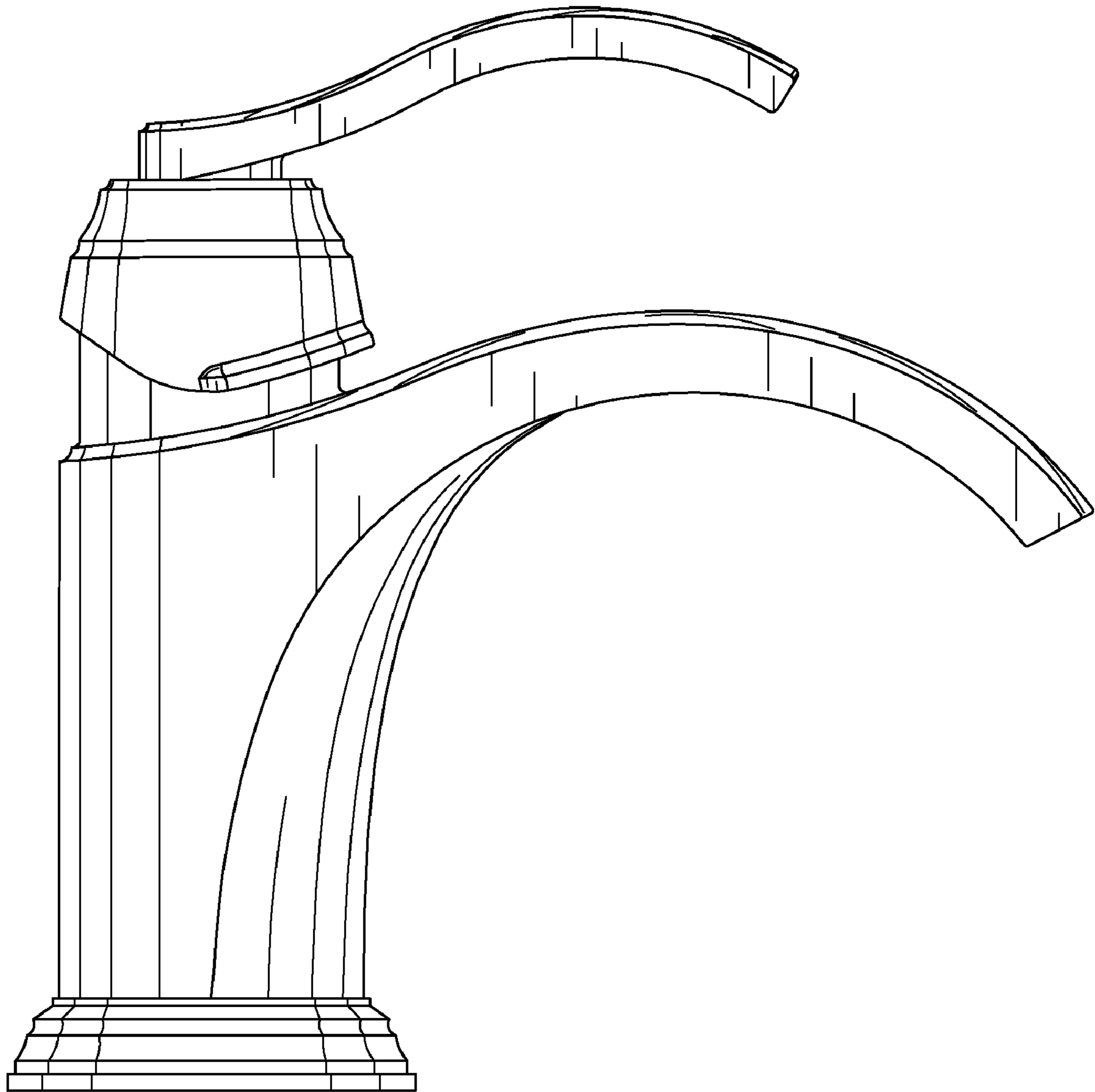


FIG. 4

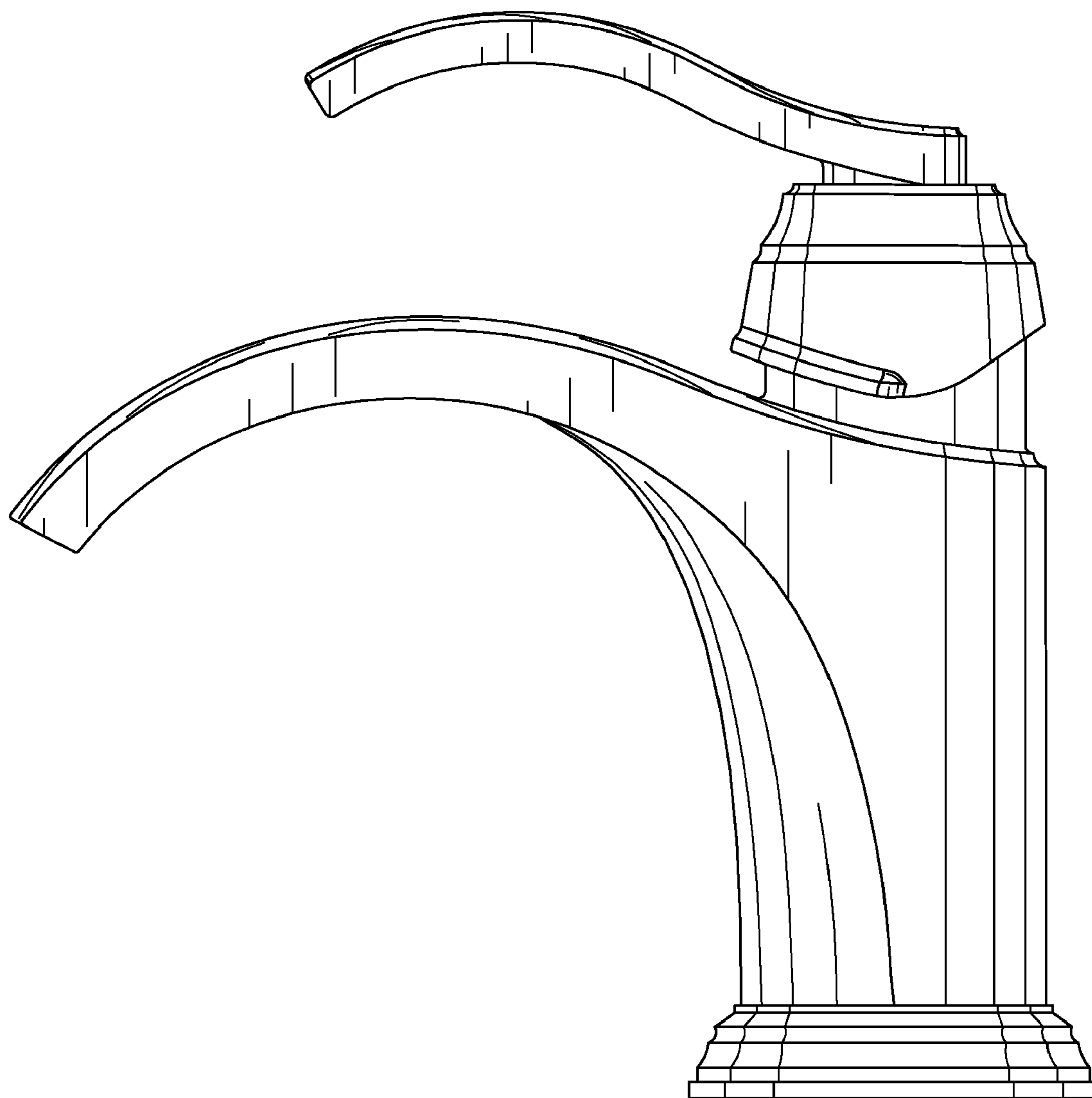


FIG. 5

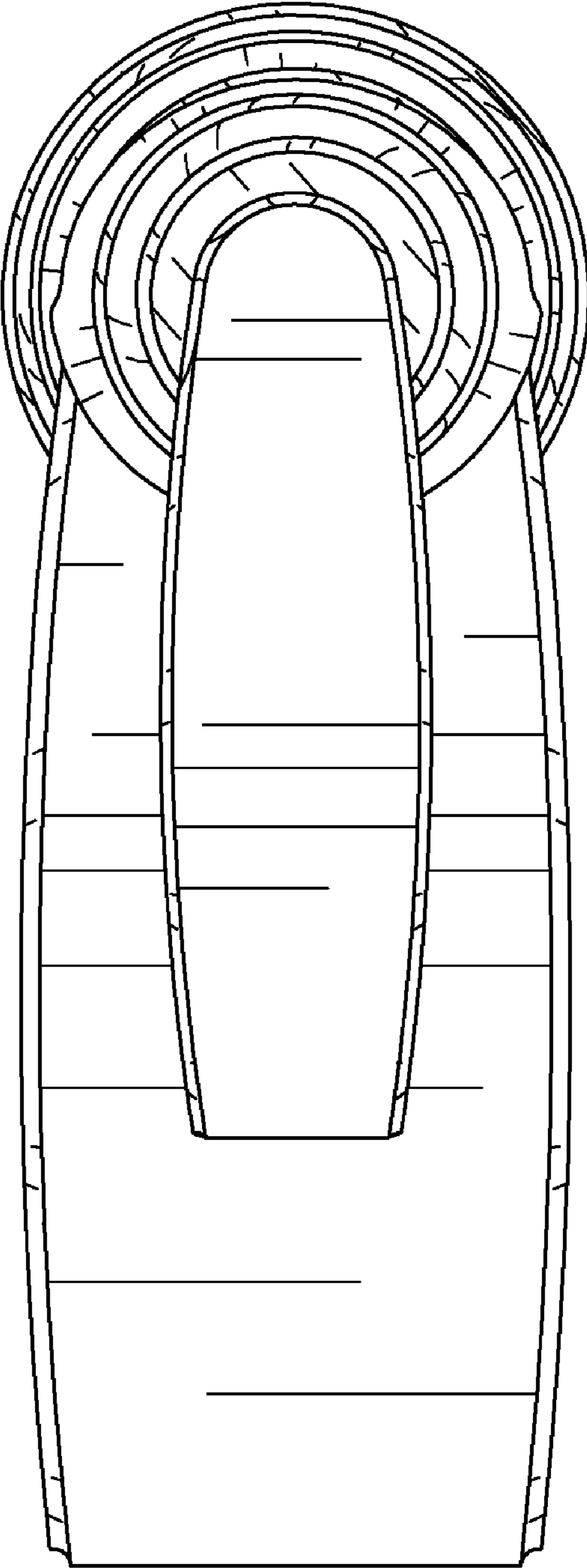


FIG. 6