



US00D618763S

(12) **United States Design Patent**  
**Johnson**

(10) **Patent No.:** **US D618,763 S**  
(45) **Date of Patent:** **\*\* Jun. 29, 2010**

(54) **SLIDER VALVE FITMENT**

(75) Inventor: **James Johnson**, Delaware, OH (US)

(73) Assignee: **Liqui-Box Corporation**, Worthington, OH (US)

(\*\*) Term: **14 Years**

(21) Appl. No.: **29/329,928**

(22) Filed: **Dec. 23, 2008**

5,823,224 A *	10/1998	Gomez	.....	137/240
5,832,737 A *	11/1998	Moilanen	.....	62/228.5
5,901,761 A	5/1999	Rutter et al.		
5,950,665 A *	9/1999	Claus	.....	137/384.2
5,983,964 A	11/1999	Zielinski et al.		
6,347,785 B1	2/2002	Copp et al.		
6,375,157 B1 *	4/2002	Van de Lande	.....	251/327
6,779,556 B2	8/2004	Roethel		
6,953,070 B1	10/2005	Labinski et al.		
D521,596 S *	5/2006	Nimberger	.....	D23/233
D521,597 S *	5/2006	Nimberger	.....	D23/233
7,114,702 B2 *	10/2006	Sauer	.....	251/195

**Related U.S. Application Data**

(63) Continuation of application No. 11/895,843, filed on Aug. 28, 2007.

(51) **LOC (9) Cl.** ..... **23-01**

(52) **U.S. Cl.** ..... **D23/237**

(58) **Field of Classification Search** ..... D23/233-237, D23/262, 265, 266, 269; 251/159, 167, 170, 251/172, 193, 195, 208, 325-328; 137/553, 137/625.33, 625.44, 625.45; 418/201.2  
See application file for complete search history.

(56) **References Cited**

**U.S. PATENT DOCUMENTS**

3,495,057 A *	2/1970	Golota	.....	218/88
4,421,146 A	12/1983	Bond et al.		
4,445,551 A	5/1984	Bond et al.		
5,031,662 A	7/1991	Roethel		
5,095,962 A	3/1992	Lloyd-Davies et al.		
5,680,970 A	10/1997	Smith et al.		
5,697,410 A	12/1997	Rutter et al.		
5,746,247 A *	5/1998	Schlecht et al.	.....	137/625.45
D397,767 S *	9/1998	Gustafsson	.....	D23/237

**FOREIGN PATENT DOCUMENTS**

CA	2371239	12/2000
CA	2554832	8/2005
WO	WO2004/085283	7/2004

\* cited by examiner

*Primary Examiner*—Cathron C. Brooks

*Assistant Examiner*—Maurice Stevens

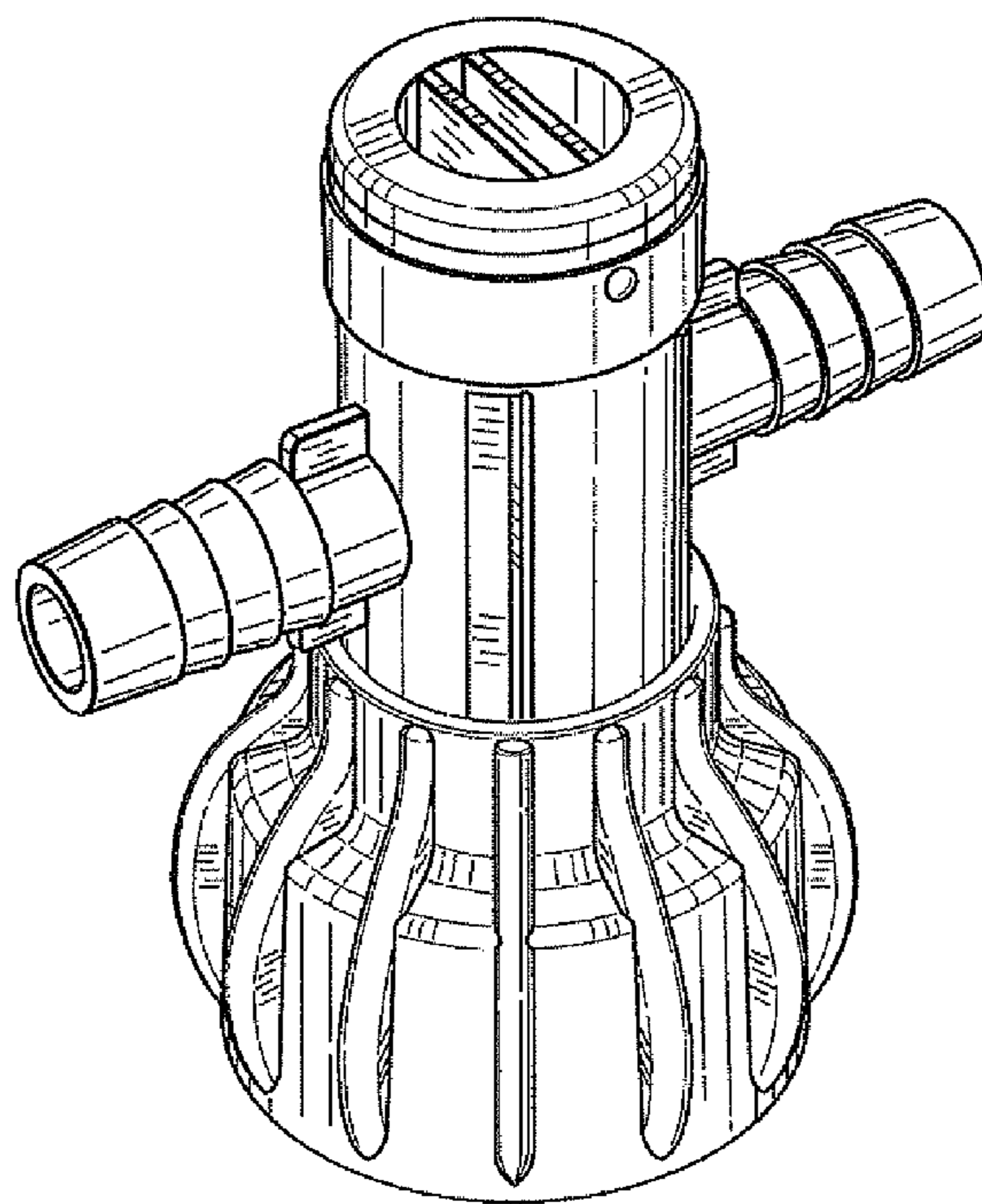
(57) **CLAIM**

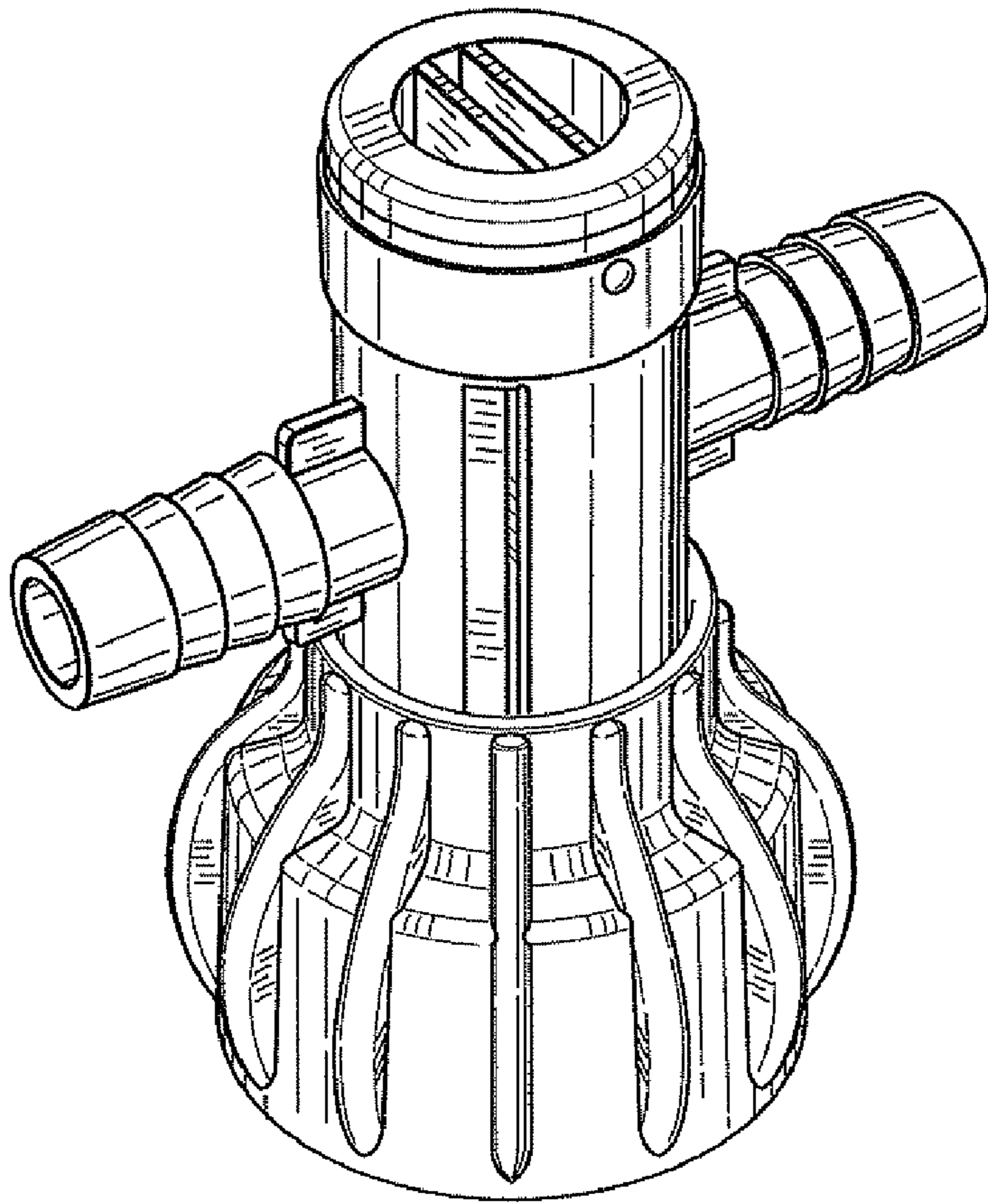
The ornamental design for a slider valve fitment, as shown and described.

**DESCRIPTION**

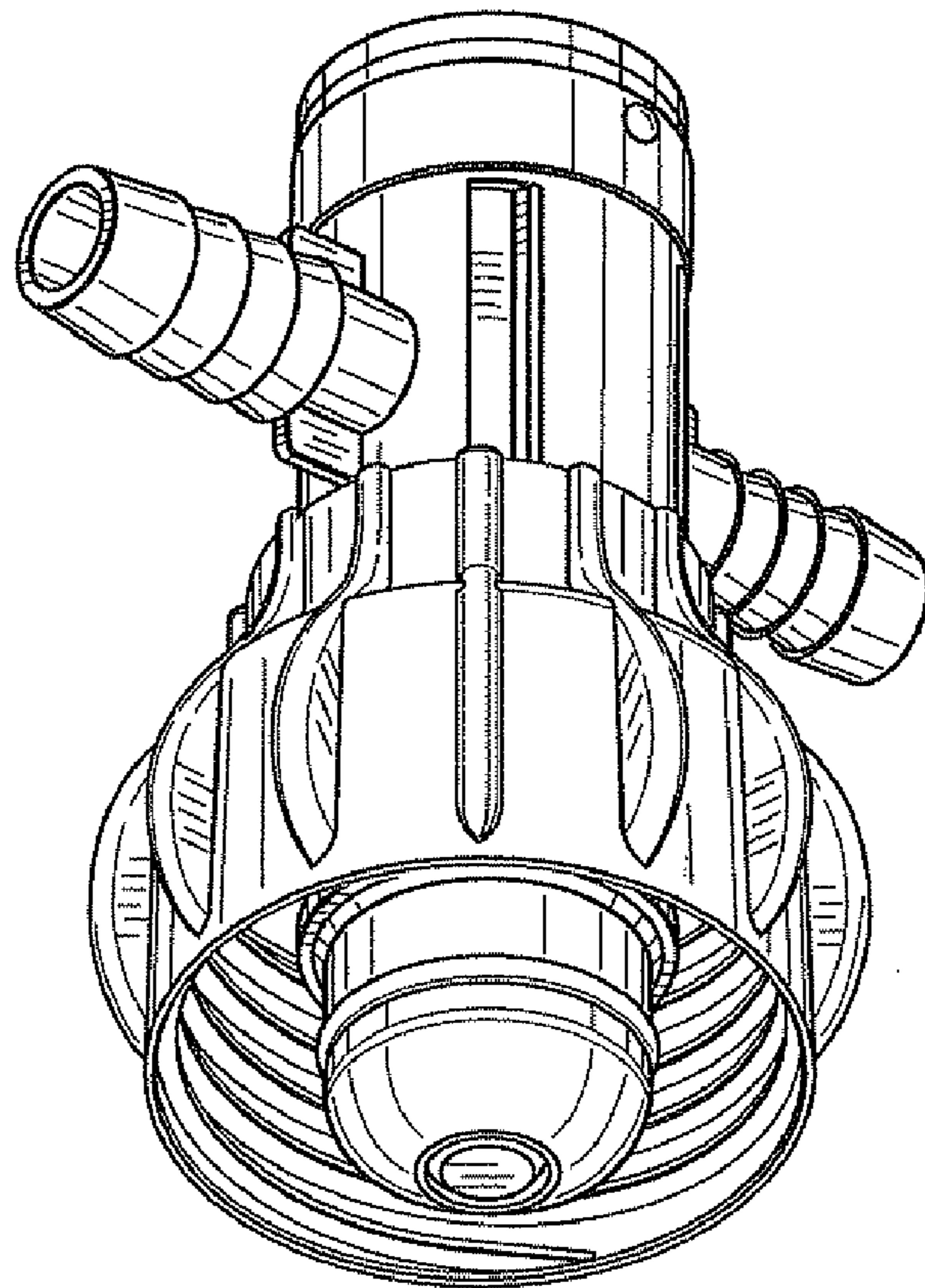
FIG. 1 is a top perspective view of a slider valve fitment.  
FIG. 2 is a bottom perspective view of the slider valve fitment.  
FIG. 3 is a side view of the slider valve fitment.  
FIG. 4 is a front view of the slider valve fitment.  
FIG. 5 is a top view of the slider valve fitment; and,  
FIG. 6 is a bottom view of the slider valve fitment.

**1 Claim, 3 Drawing Sheets**

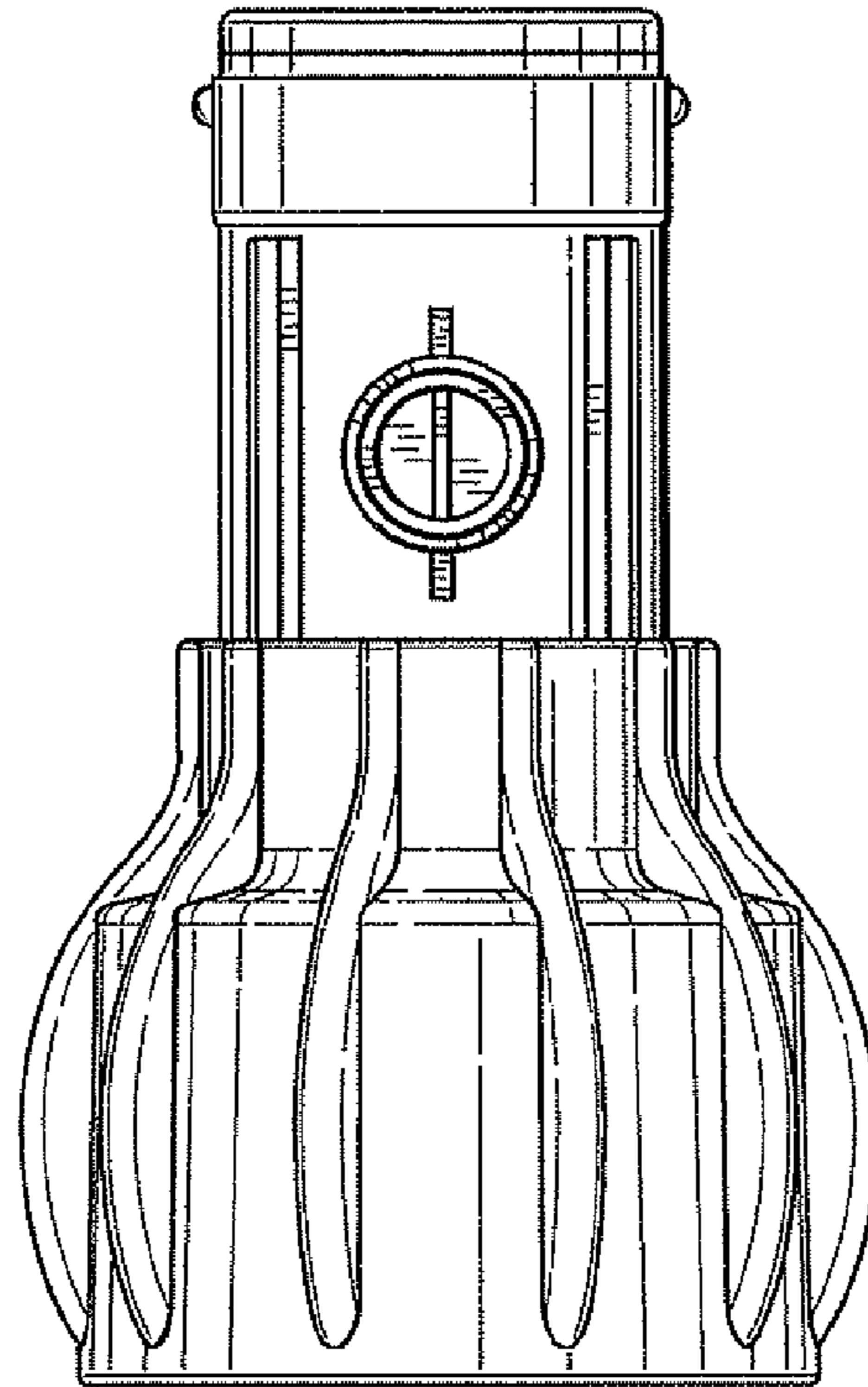




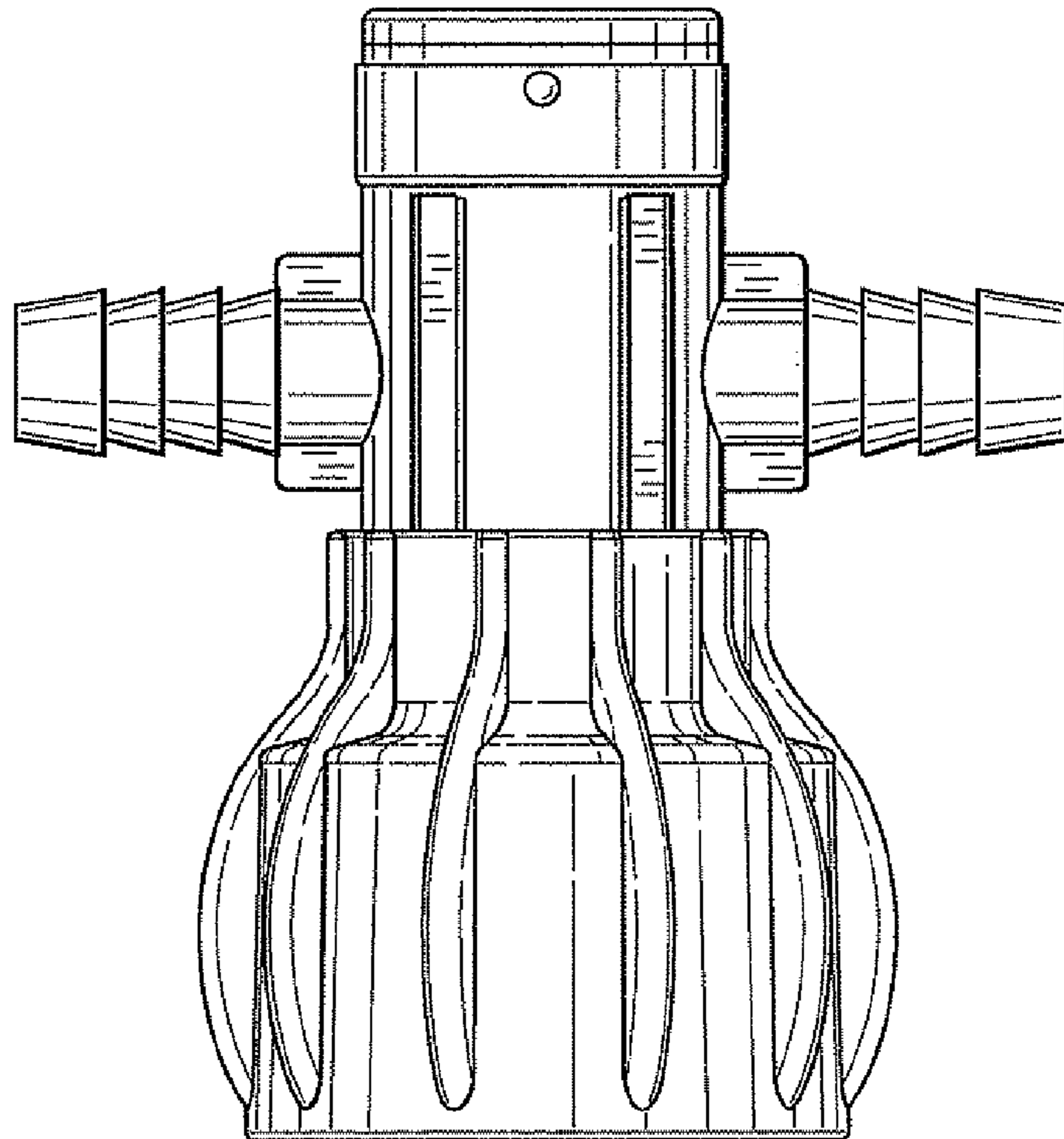
**FIG. 1**



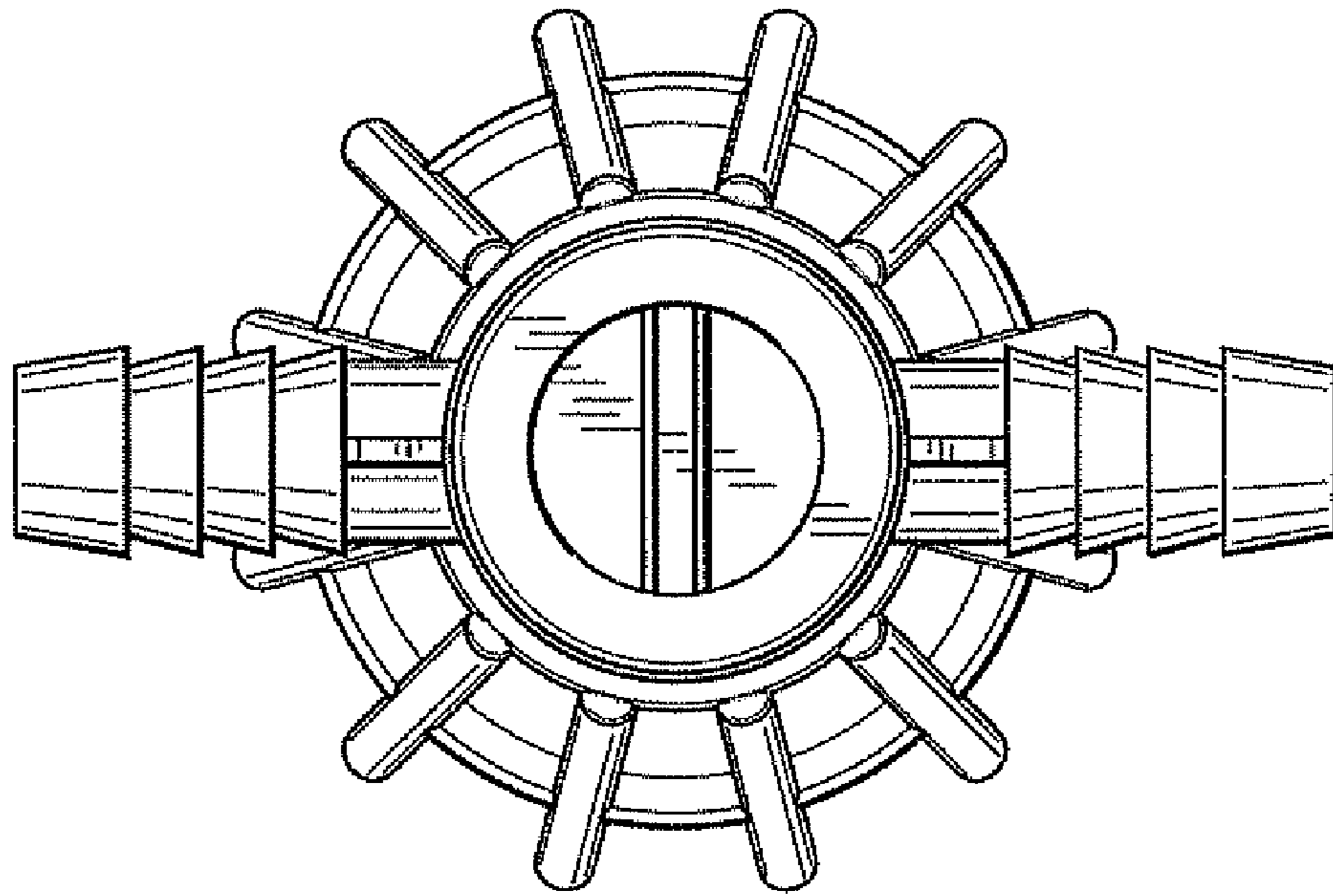
**FIG. 2**



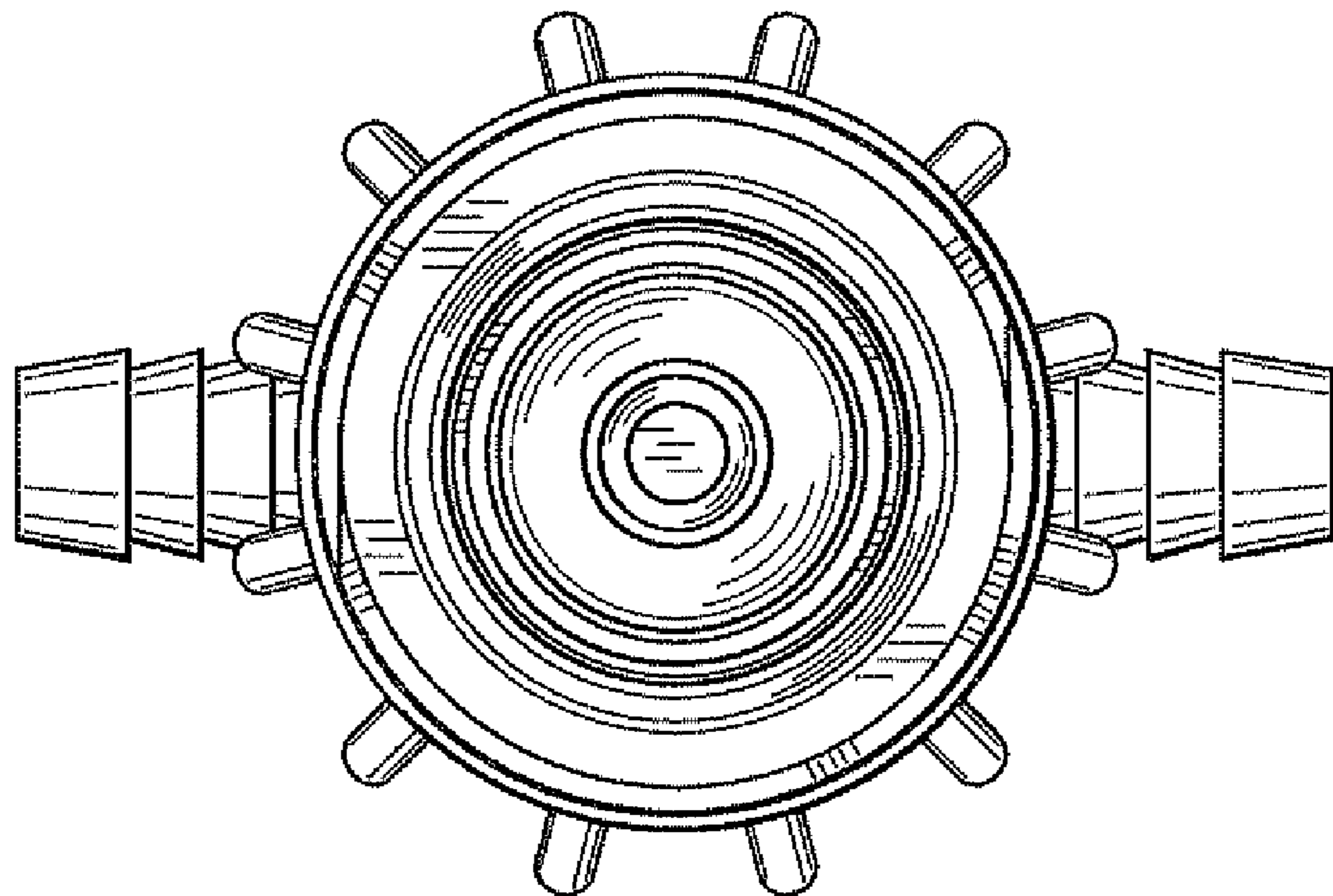
**FIG. 3**



**FIG. 4**



**FIG. 5**



**FIG. 6**