



US00D618762S

(12) **United States Design Patent**
Yokoyama et al.

(10) **Patent No.:** **US D618,762 S**
(45) **Date of Patent:** **** Jun. 29, 2010**

(54) **IN-WALL SHOWER NOZZLE**

(75) Inventors: **Rie Yokoyama**, Kitakyushu (JP);
Hajime Kakihana, Morrow, GA (US);
Minoru Tani, Kitakyushu (JP); **James Piatt**, Los Angeles, CA (US)

(73) Assignee: **Toto Ltd.**, Kitakyushu-Shi (JP)

(**) Term: **14 Years**

(21) Appl. No.: **29/344,441**

(22) Filed: **Sep. 29, 2009**

(30) **Foreign Application Priority Data**

Apr. 23, 2009 (JP) 2009-009458

(51) **LOC (9) Cl.** **23-01**

(52) **U.S. Cl.** **D23/213**

(58) **Field of Classification Search** D23/213,
D23/223, 229-230; 239/282-283, 462; 4/615;
D24/201

See application file for complete search history.

(56) **References Cited**

U.S. PATENT DOCUMENTS

D530,389 S * 10/2006 Genslak et al. D23/213
D536,060 S * 1/2007 Sadler D23/213

D552,713 S * 10/2007 Rexach D23/213
D566,229 S * 4/2008 Rexach D23/213
D567,328 S * 4/2008 Spangler et al. D23/213
D598,520 S * 8/2009 Flowers et al. D23/213

* cited by examiner

Primary Examiner—Robin V Webster

(74) *Attorney, Agent, or Firm*—Birch, Stewart, Kolasch & Birch, LLP

(57) **CLAIM**

The ornamental design for an in-wall shower nozzle, as shown and described.

DESCRIPTION

FIG. 1 is a perspective view of the top, front and right side of an in-wall shower nozzle showing our new design;

FIG. 2 is a front view thereof;

FIG. 3 is a rear view thereof;

FIG. 4 is a left side view thereof;

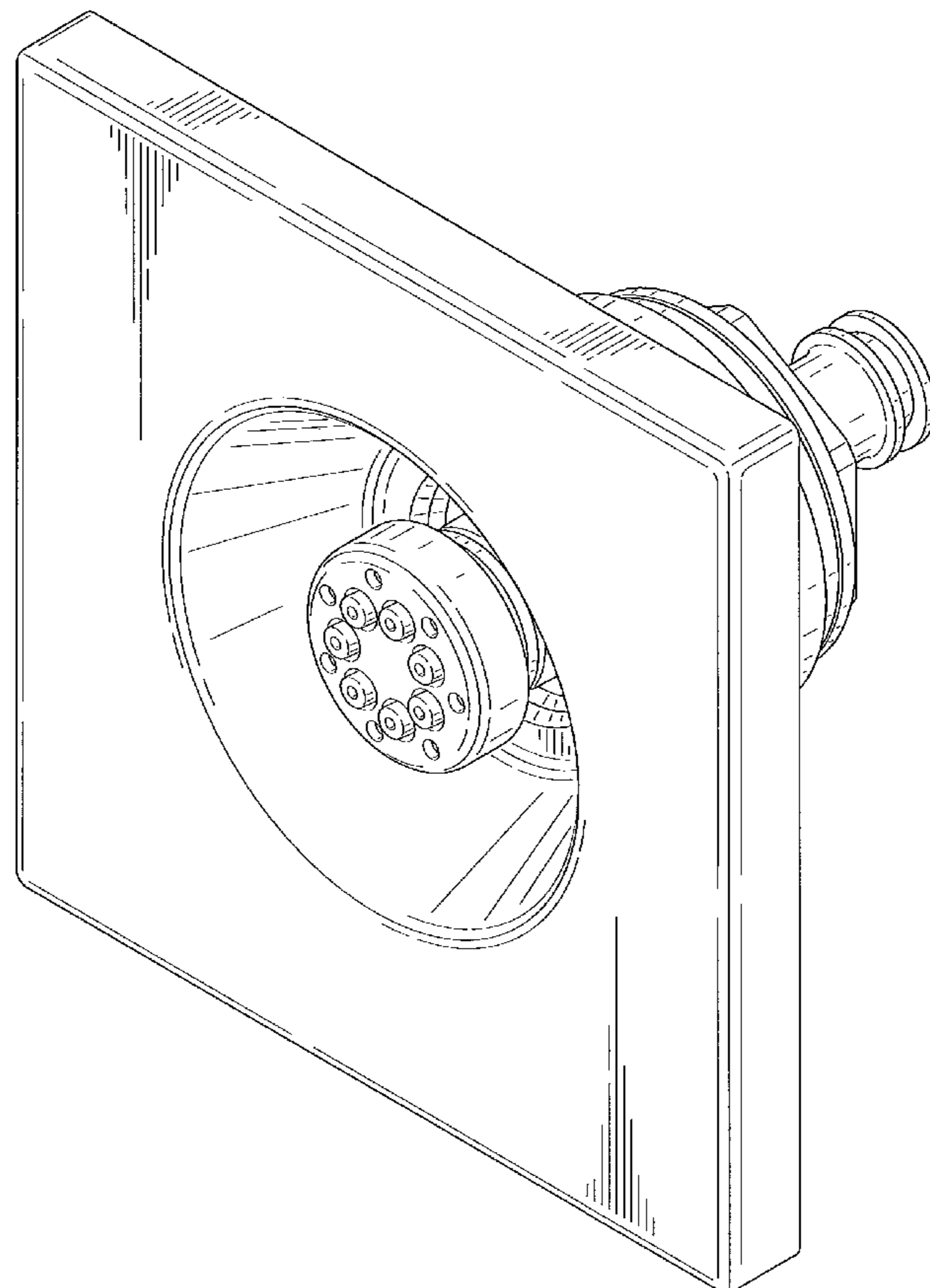
FIG. 5 is a right side view thereof;

FIG. 6 is a top plan view thereof;

FIG. 7 is a bottom view thereof; and,

FIG. 8 is a cross sectional view at 8—8 in FIG. 2 omitting interior mechanism thereof.

1 Claim, 8 Drawing Sheets



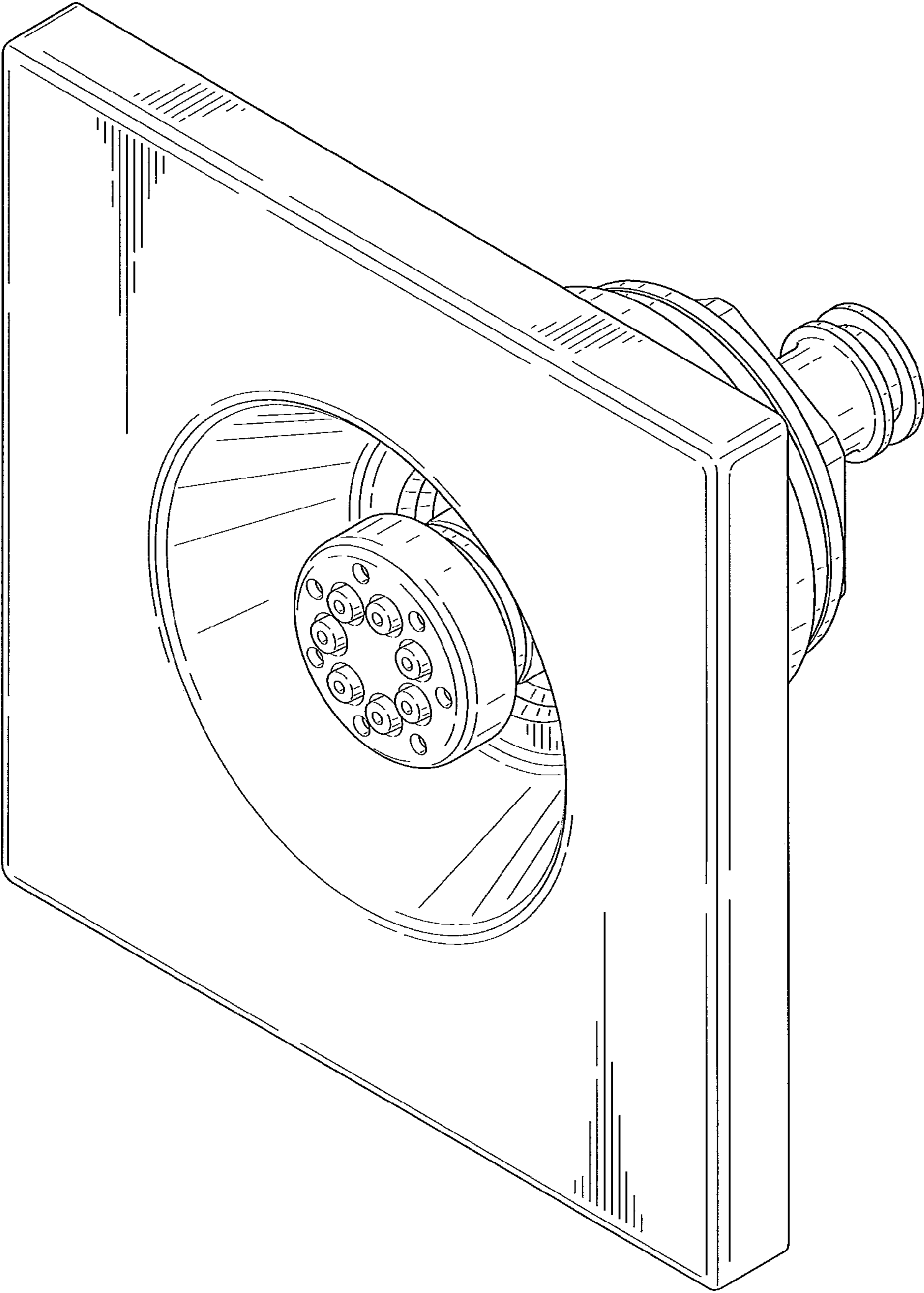


FIG. 1

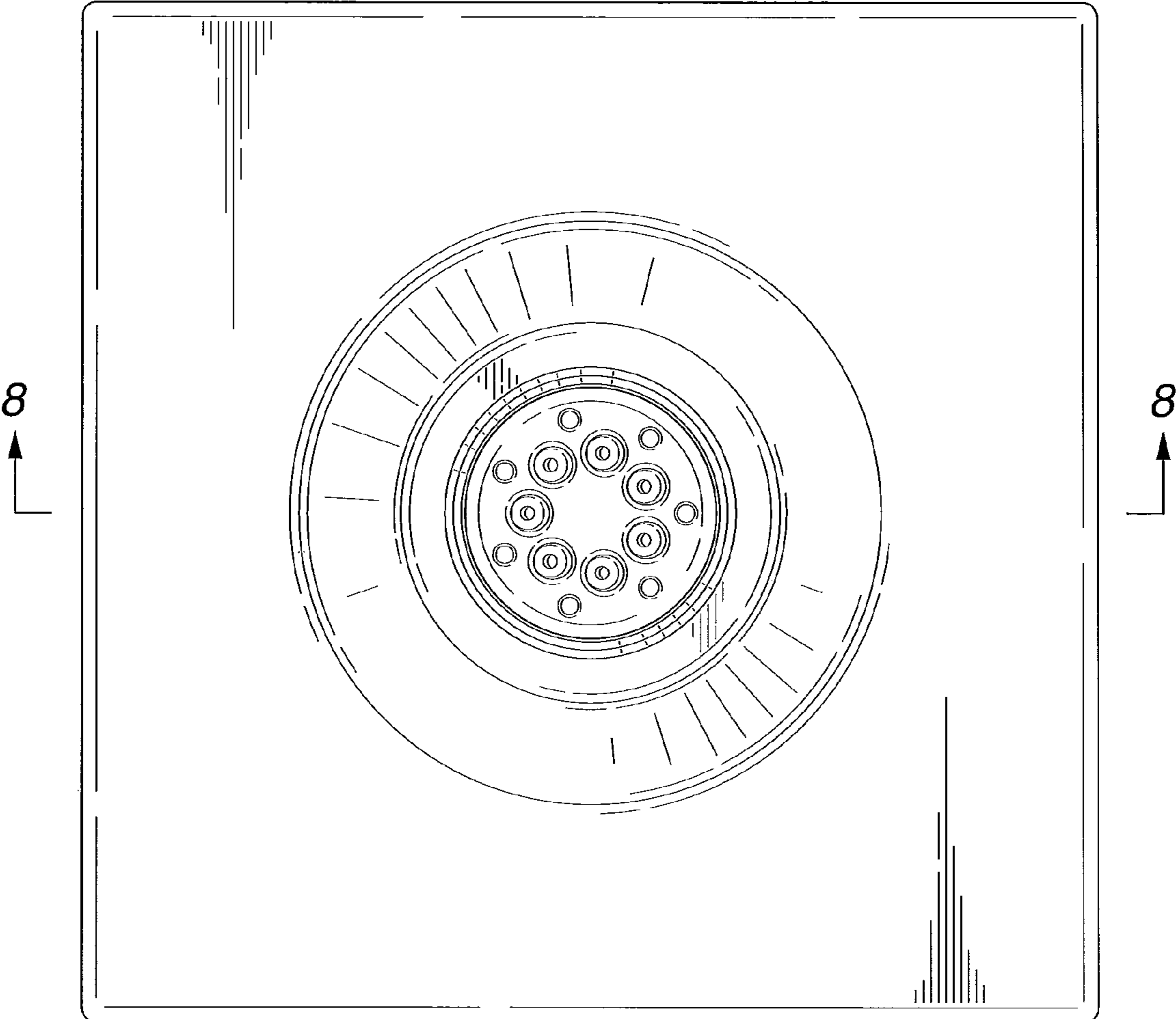


FIG. 2

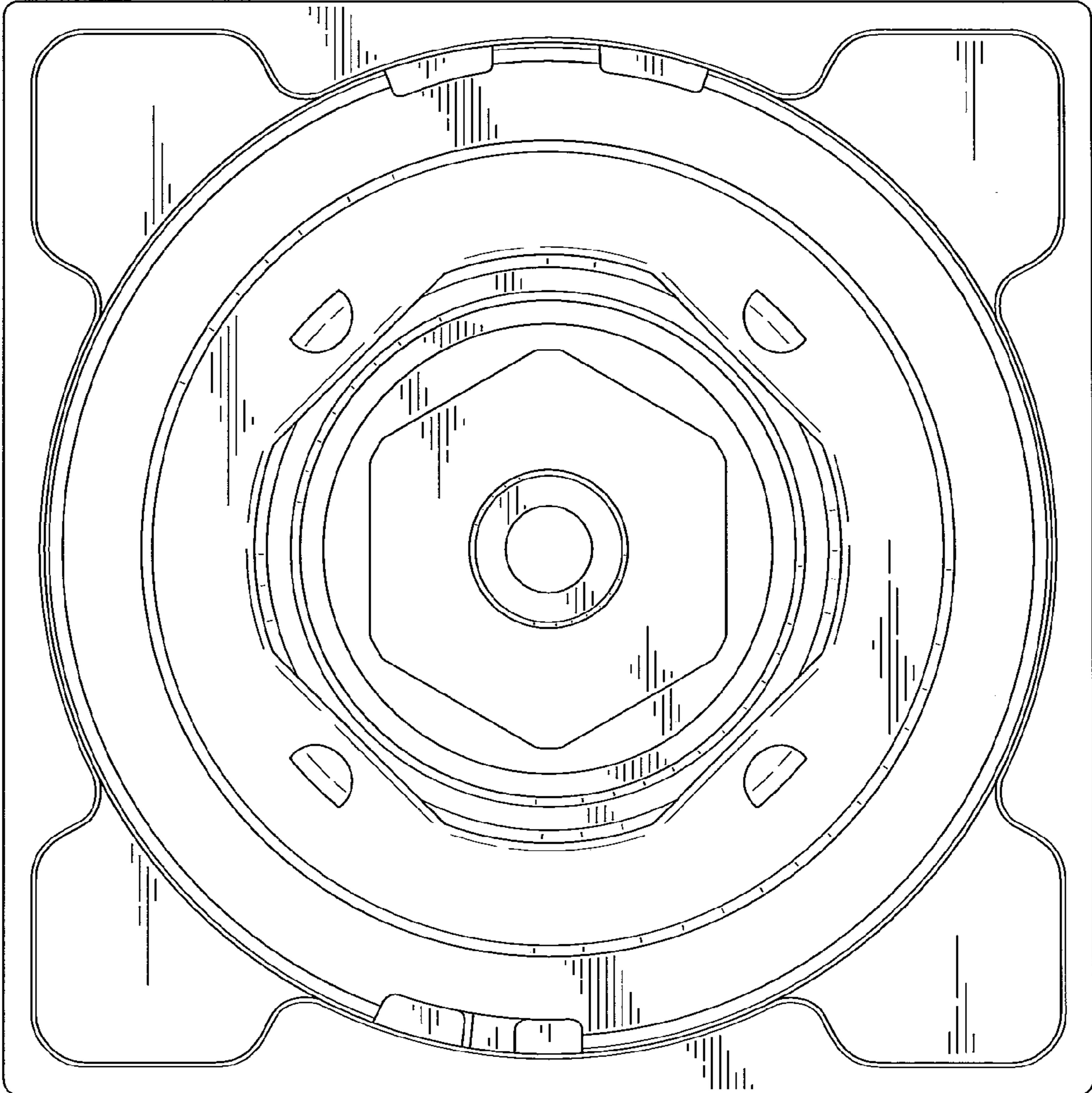


FIG. 3

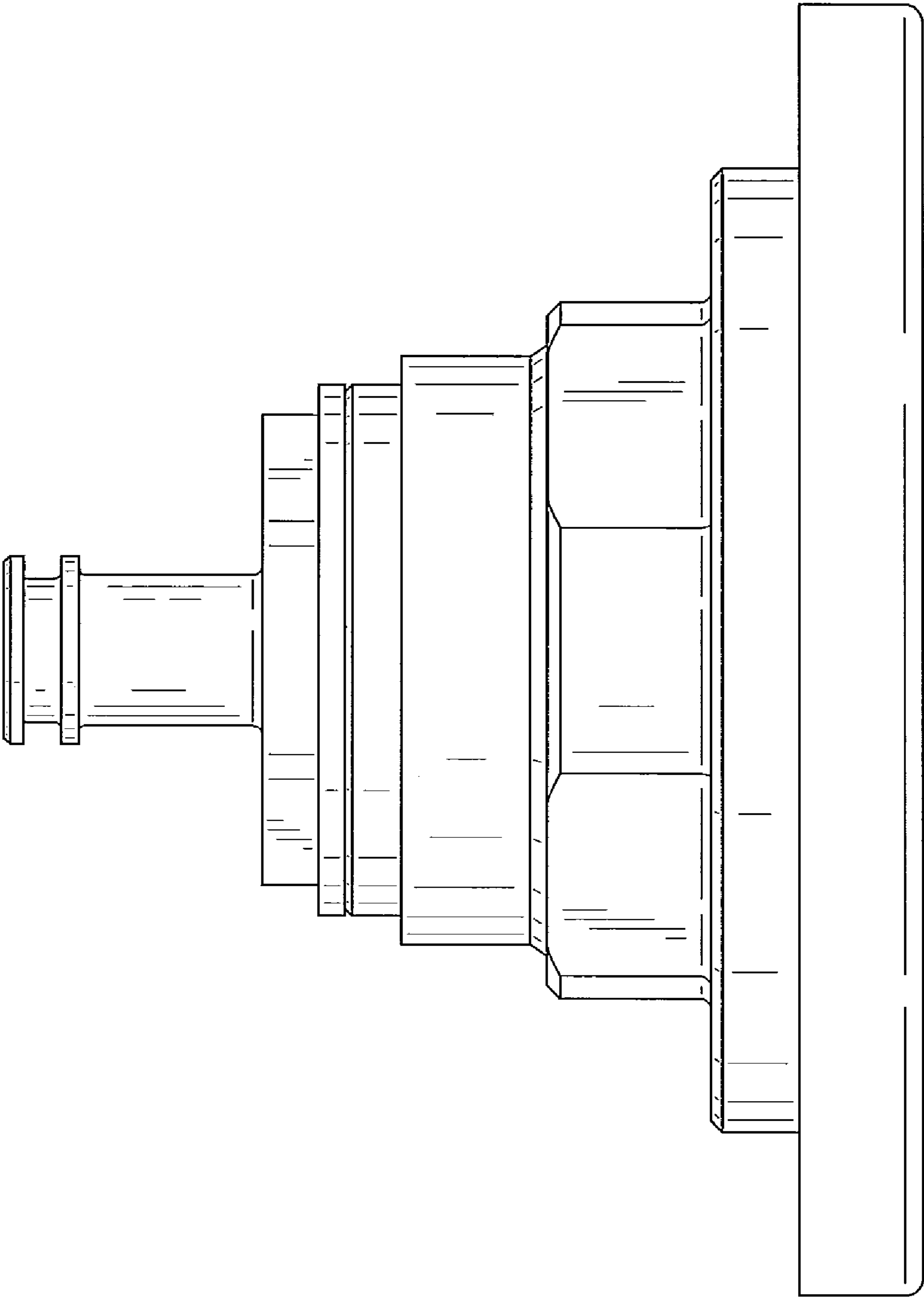


FIG. 4

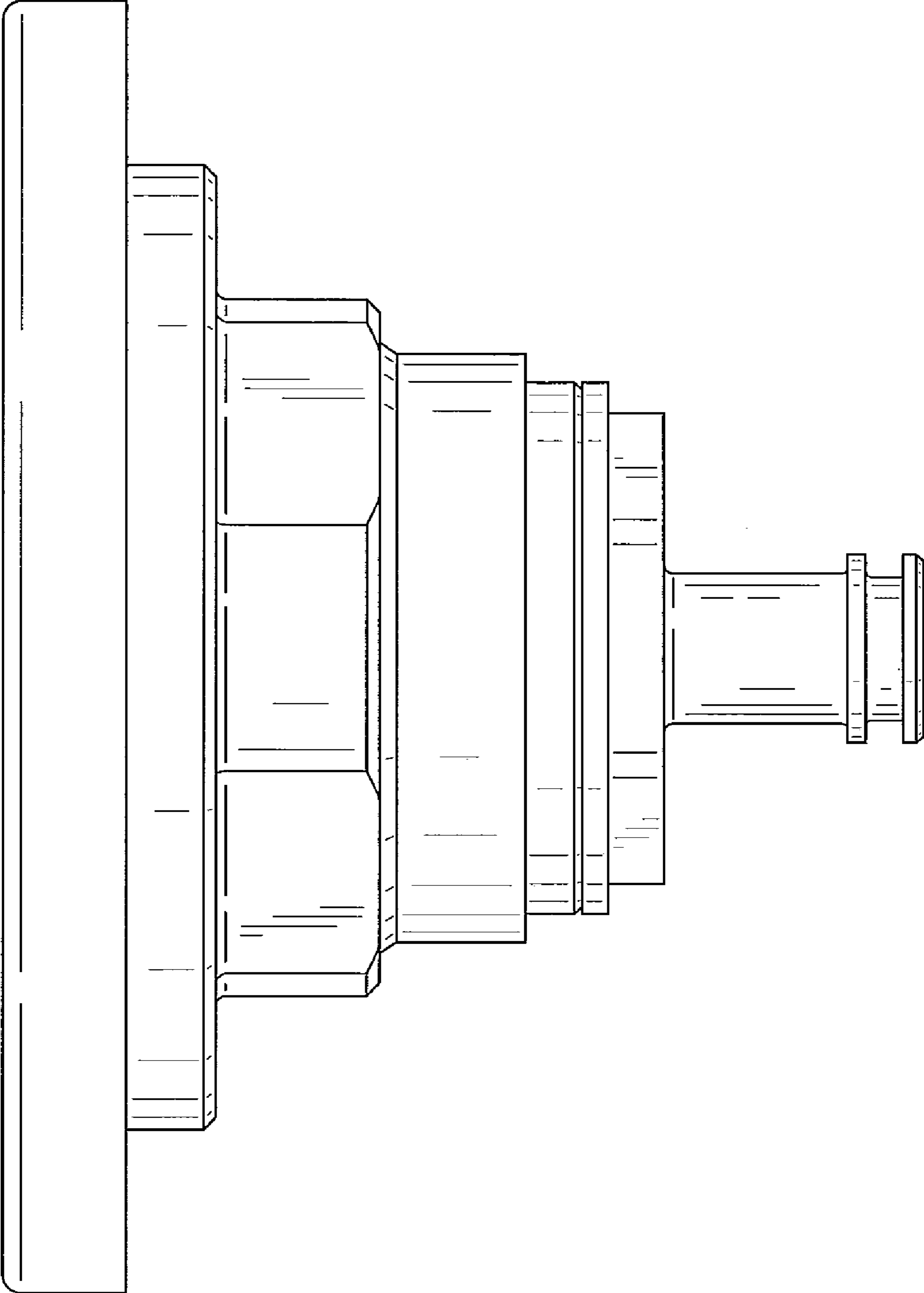


FIG. 5

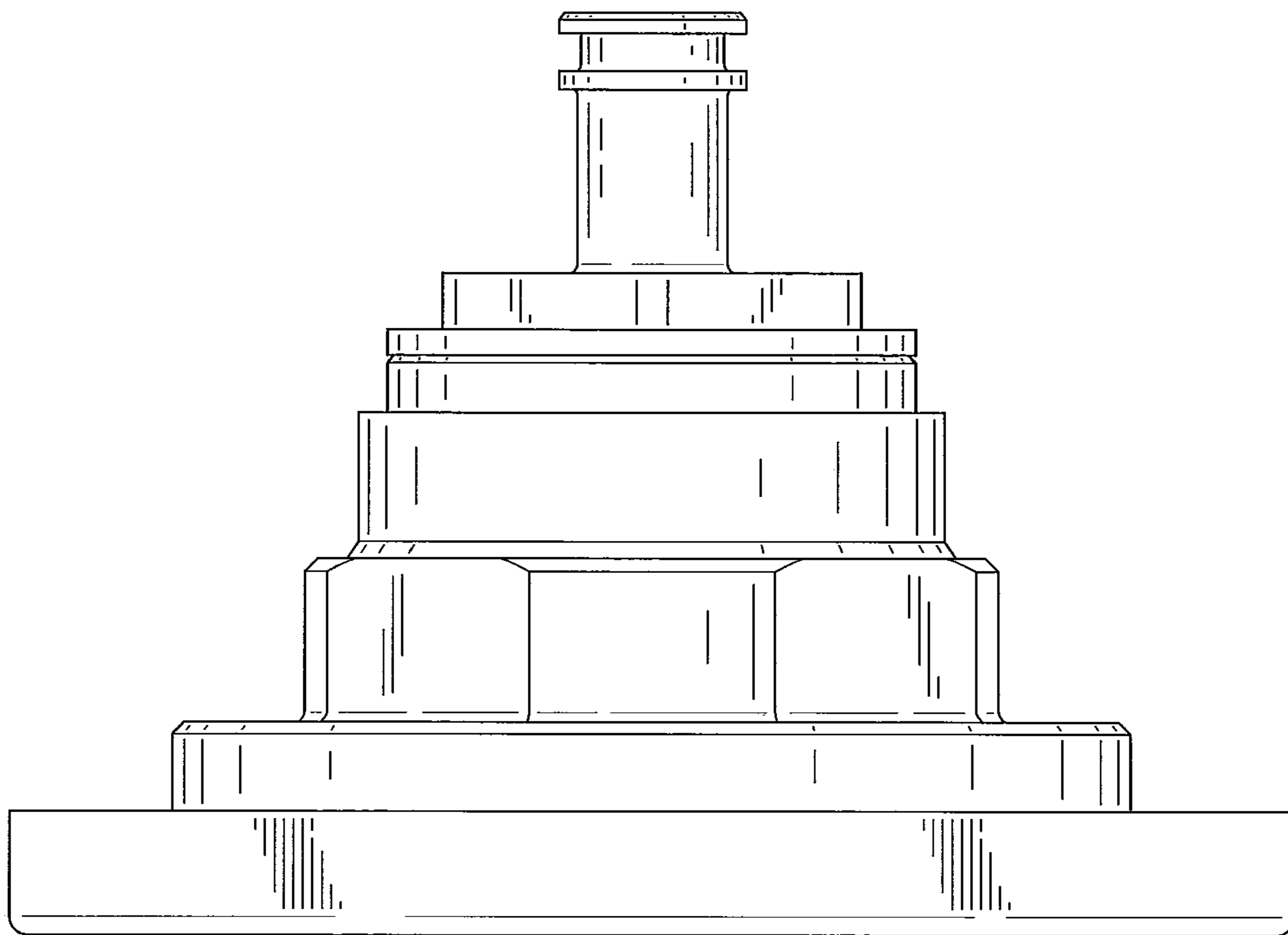


FIG. 6

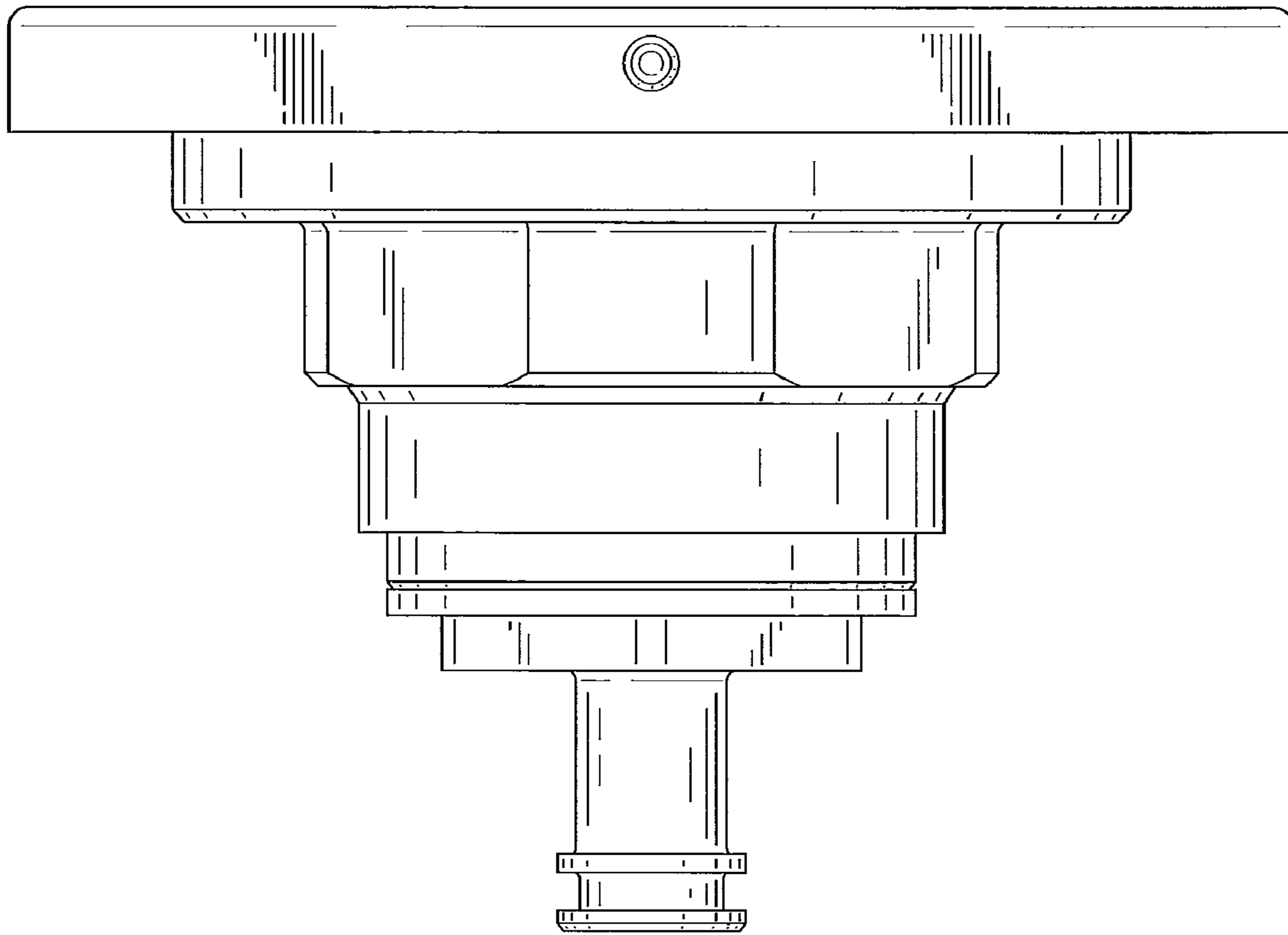


FIG. 7

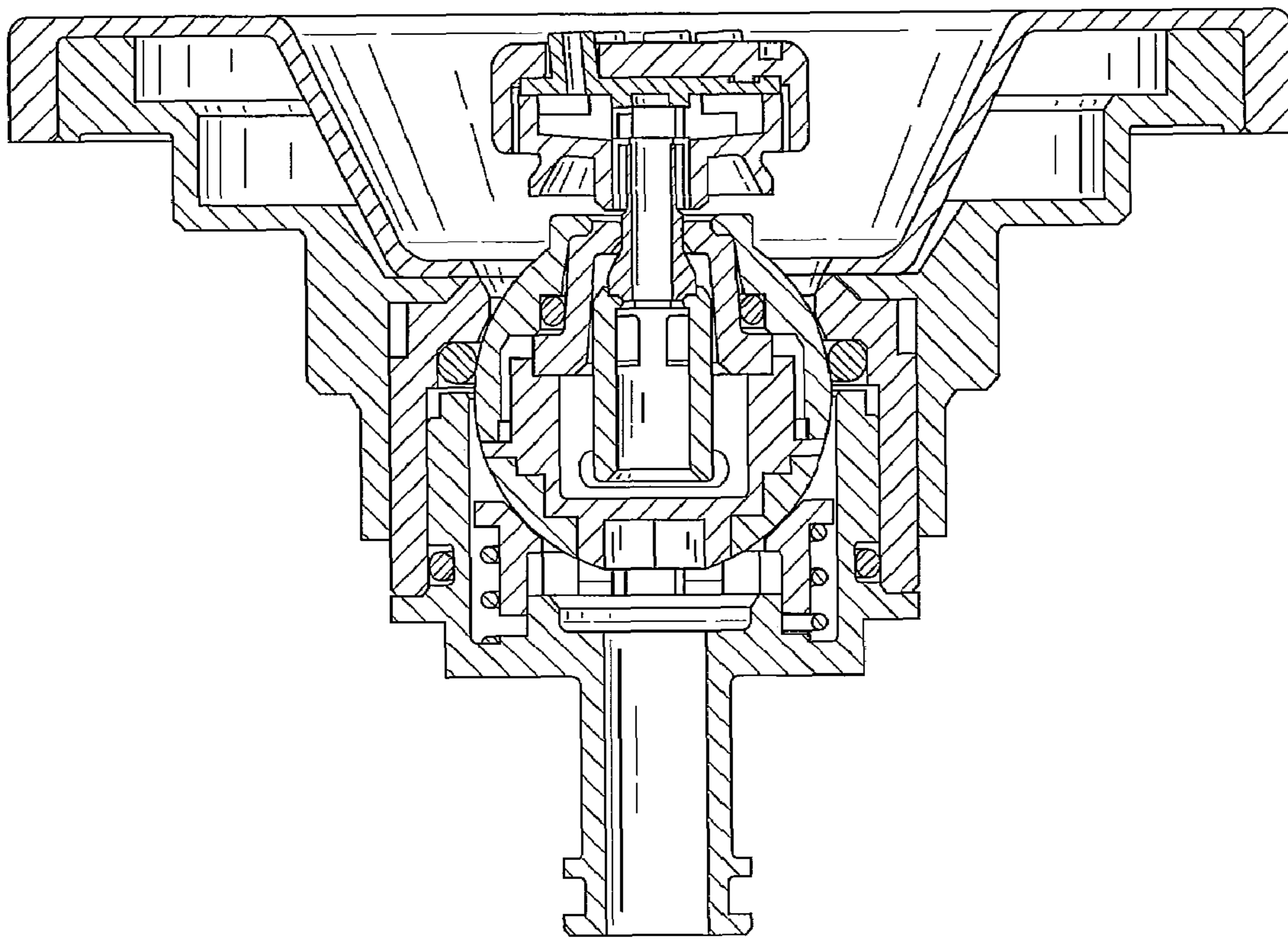


FIG. 8