



US00D618759S

(12) **United States Design Patent**  
**Rouwhorst et al.**

(10) **Patent No.:** **US D618,759 S**  
(45) **Date of Patent:** **\*\* Jun. 29, 2010**

(54) **FISHING ROD HOLDER**

D491,624 S \* 6/2004 Contarino, Jr. .... D22/148  
D508,727 S \* 8/2005 Peters ..... D22/147

(76) Inventors: **Kevin Rouwhorst**, 2845 Morningside  
Blvd., Port St. Lucie, FL (US) 34952;  
**Peter Child**, 16490 130 Ave. North,  
Jupiter, FL (US) 33478

\* cited by examiner

*Primary Examiner*—Catherine R Oliver  
(74) *Attorney, Agent, or Firm*—McHale & Slavin, P.A.

(\*\*) Term: **14 Years**

(57) **CLAIM**

(21) Appl. No.: **29/343,701**

The ornamental design for a fishing rod holder, as shown and described.

(22) Filed: **Sep. 17, 2009**

**DESCRIPTION**

(51) **LOC (9) Cl.** ..... **22-99**

FIG. 1 is a top perspective view of the fishing rod holder of the instant invention;

(52) **U.S. Cl.** ..... **D22/147**

FIG. 2 is a rear view thereof;

(58) **Field of Classification Search** ..... D22/147–148;  
43/16–17, 21.2; D3/221; 224/267, 922;  
248/515–538; 211/70.8; D6/552–553

FIG. 3 is a front view thereof;

See application file for complete search history.

FIG. 4 is a left side view thereof;

FIG. 5 is a right side view thereof;

(56) **References Cited**

**U.S. PATENT DOCUMENTS**

- D232,234 S \* 7/1974 Freed ..... D22/147
- 4,257,181 A \* 3/1981 Cooper ..... 43/21.2
- 4,677,784 A \* 7/1987 Butkus ..... 43/16
- 5,533,295 A \* 7/1996 Hochberger ..... 43/21.2
- 5,546,693 A \* 8/1996 Stockton et al. .... 43/21.2
- D483,436 S \* 12/2003 Tull ..... D22/147
- D485,601 S \* 1/2004 Bertram ..... D22/147

FIG. 6 is a top view thereof;

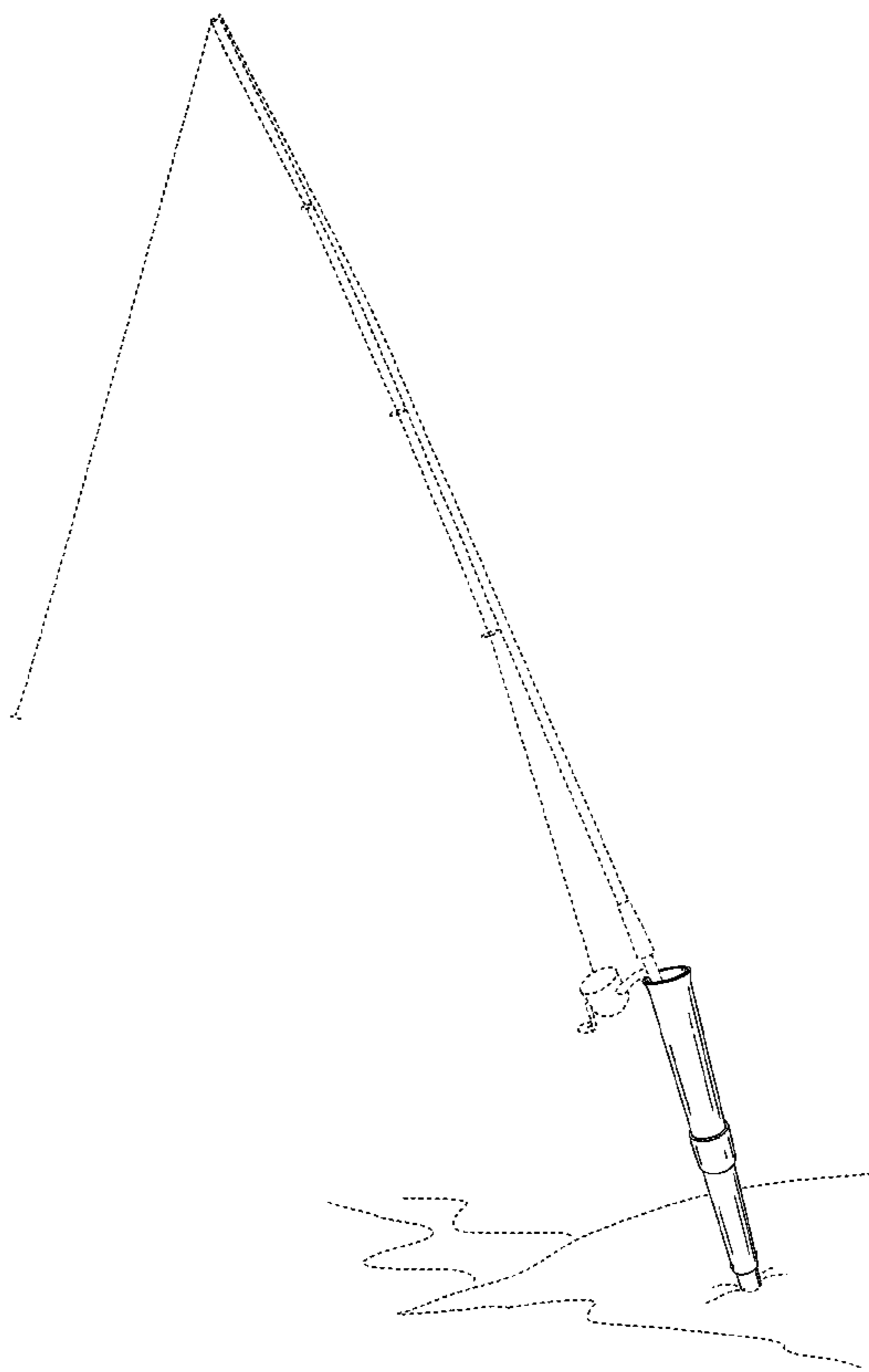
FIG. 7 is a bottom view thereof;

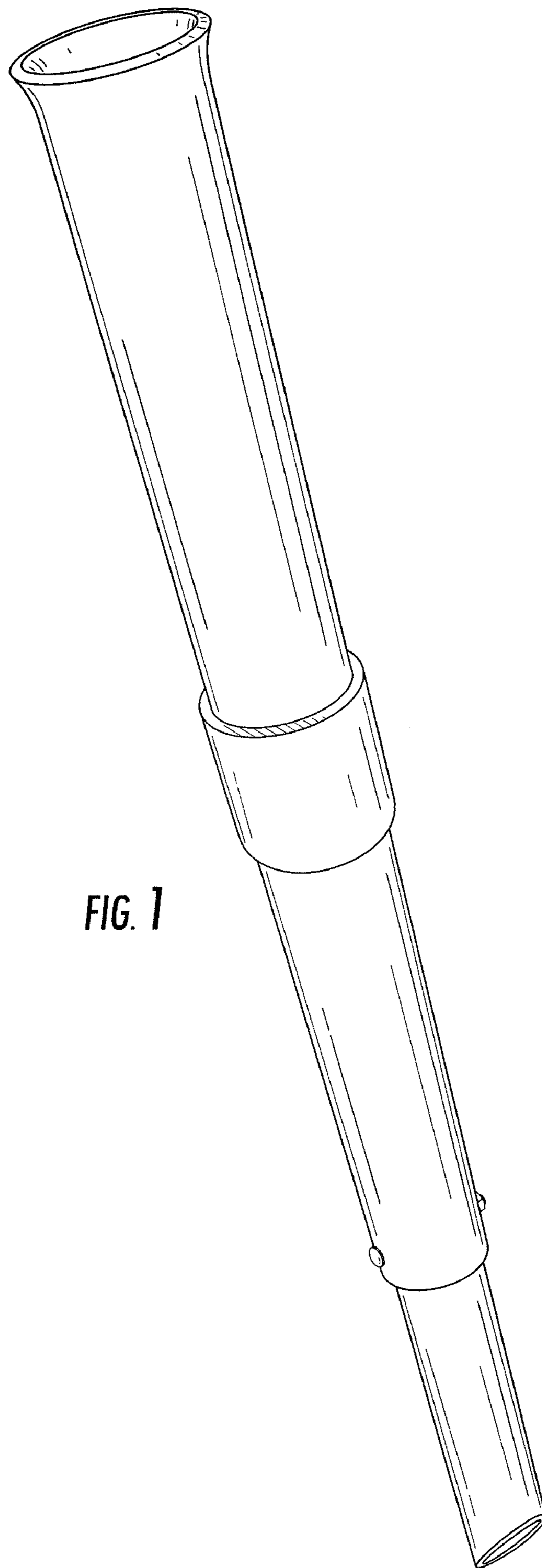
FIG. 8 is a top perspective exploded view thereof; and,

FIG. 9 is a top perspective view illustrating a fishing rod secured within the device.

The portions of the figures illustrated in broken lines are for illustrative purposes only and form no part of the claimed design.

**1 Claim, 6 Drawing Sheets**





**FIG. 1**

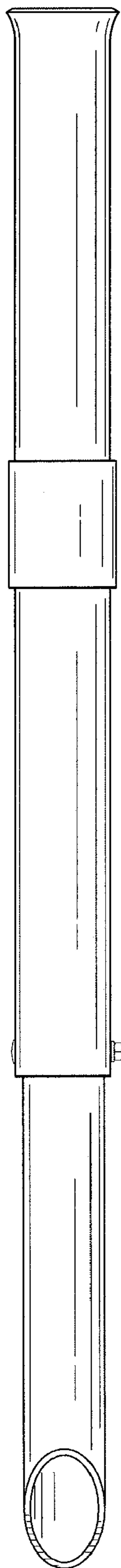


FIG. 2

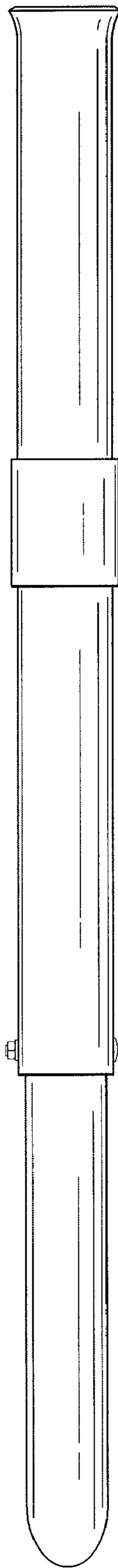
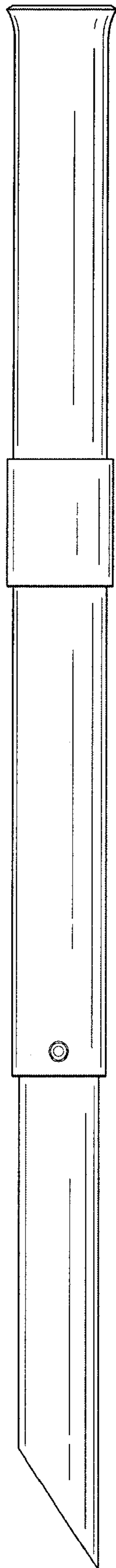
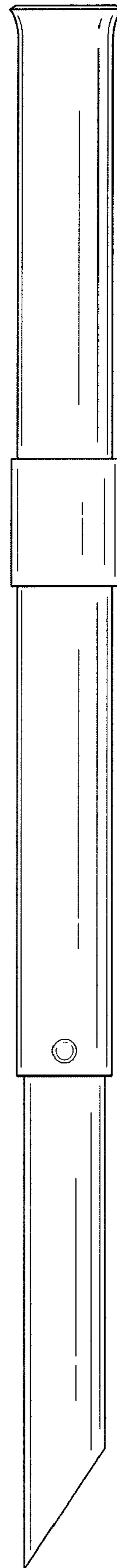


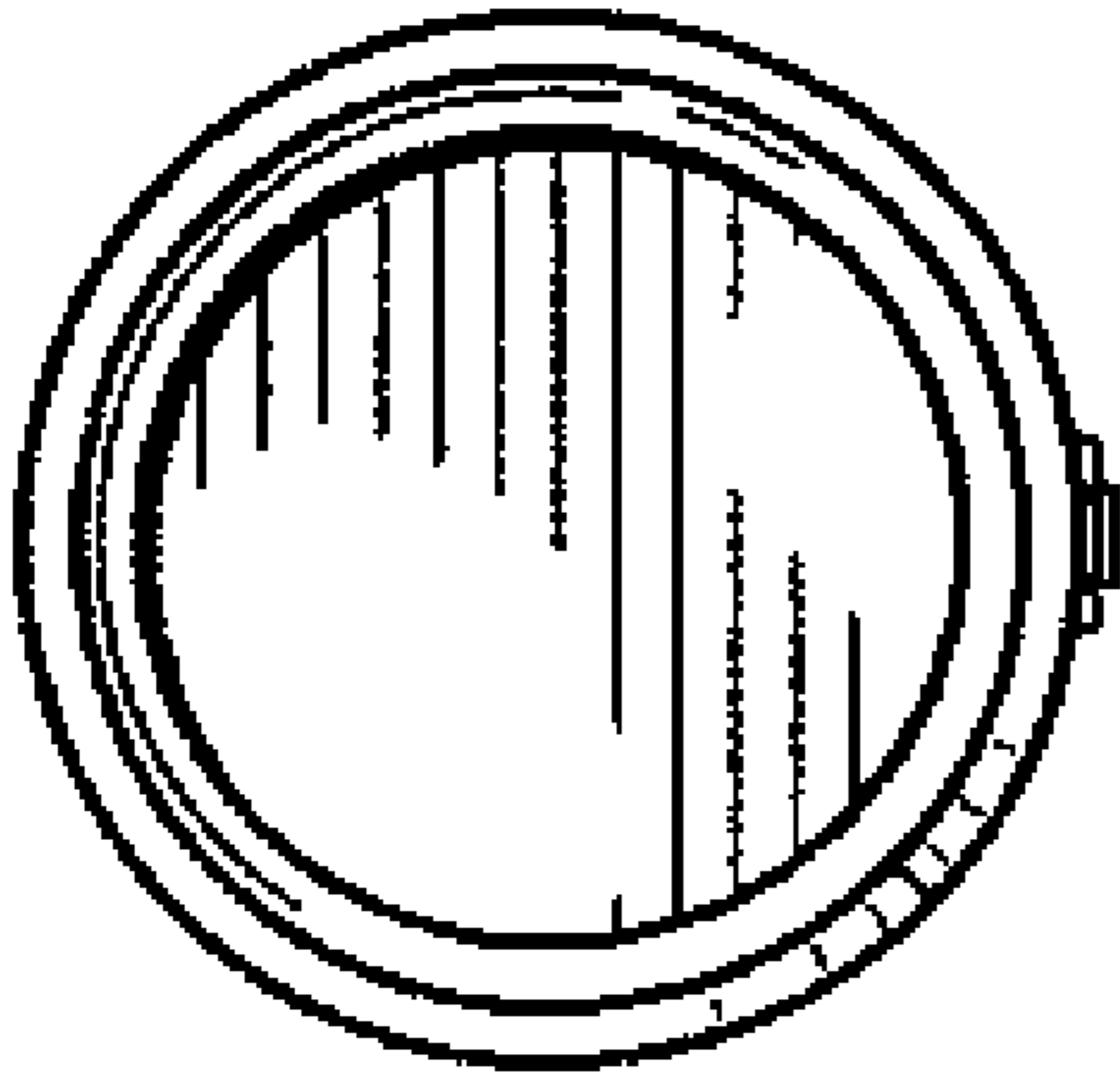
FIG. 3



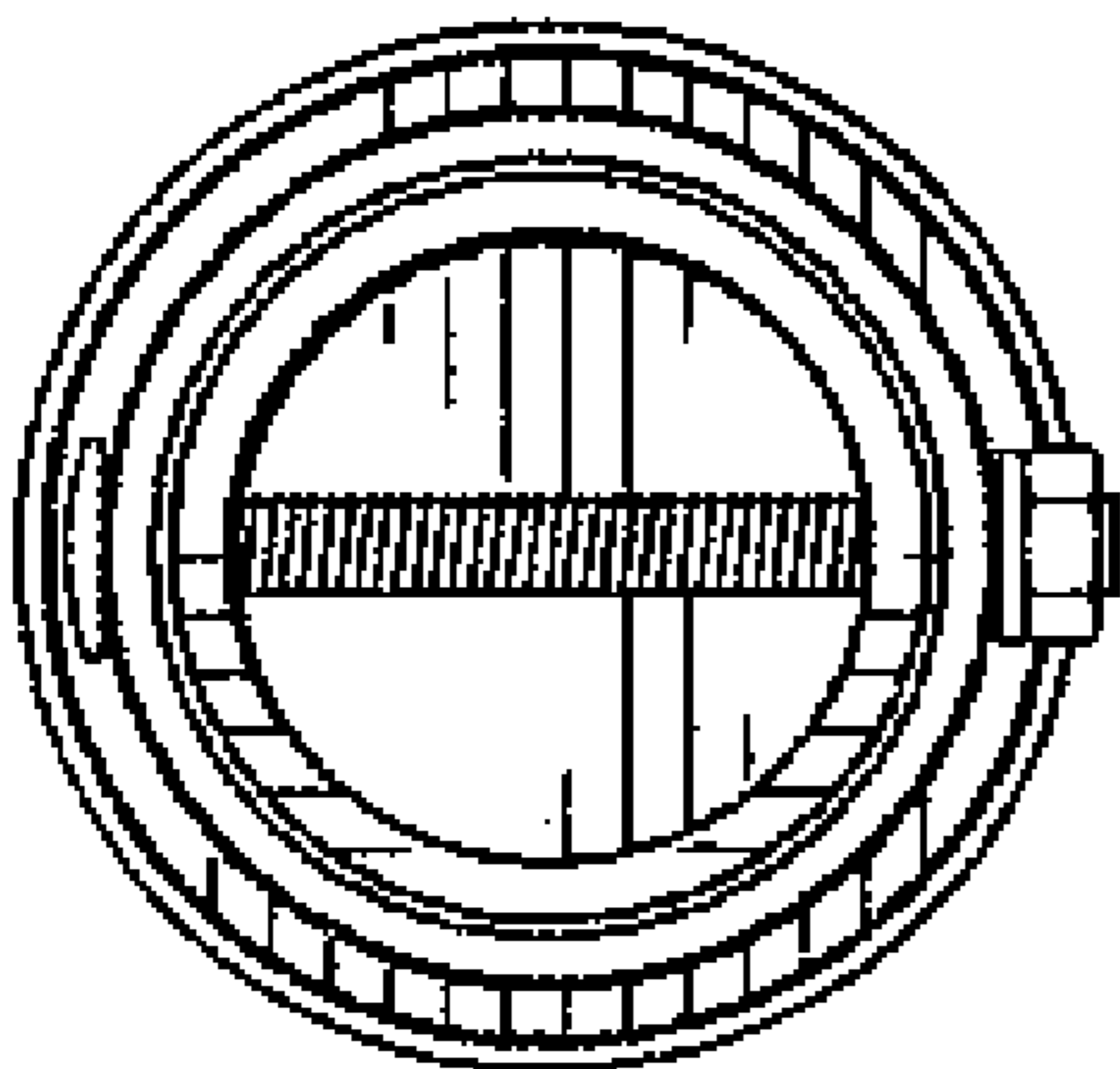
*FIG. 4*



*FIG. 5*



**FIG. 6**



**FIG. 7**

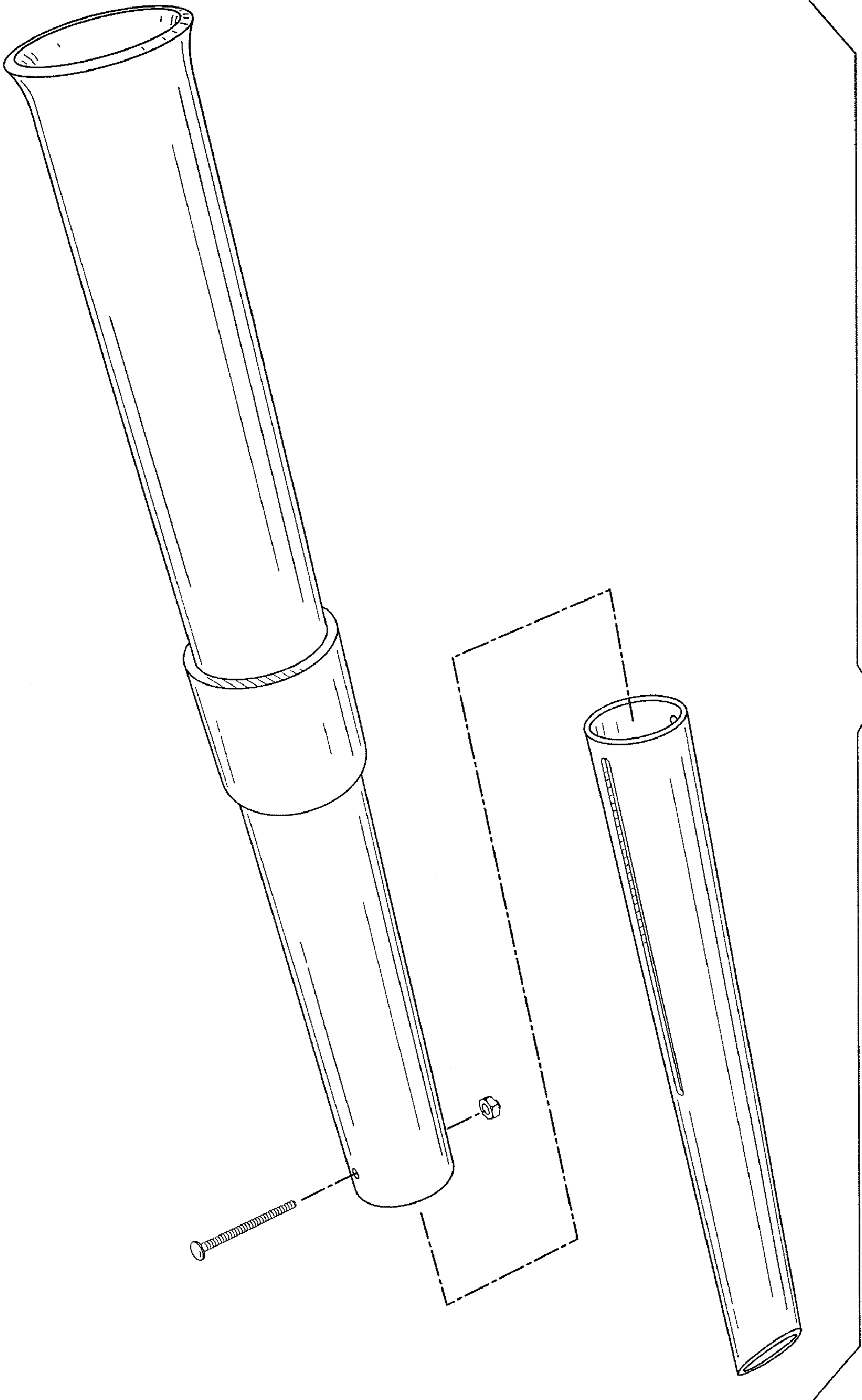


FIG. 8

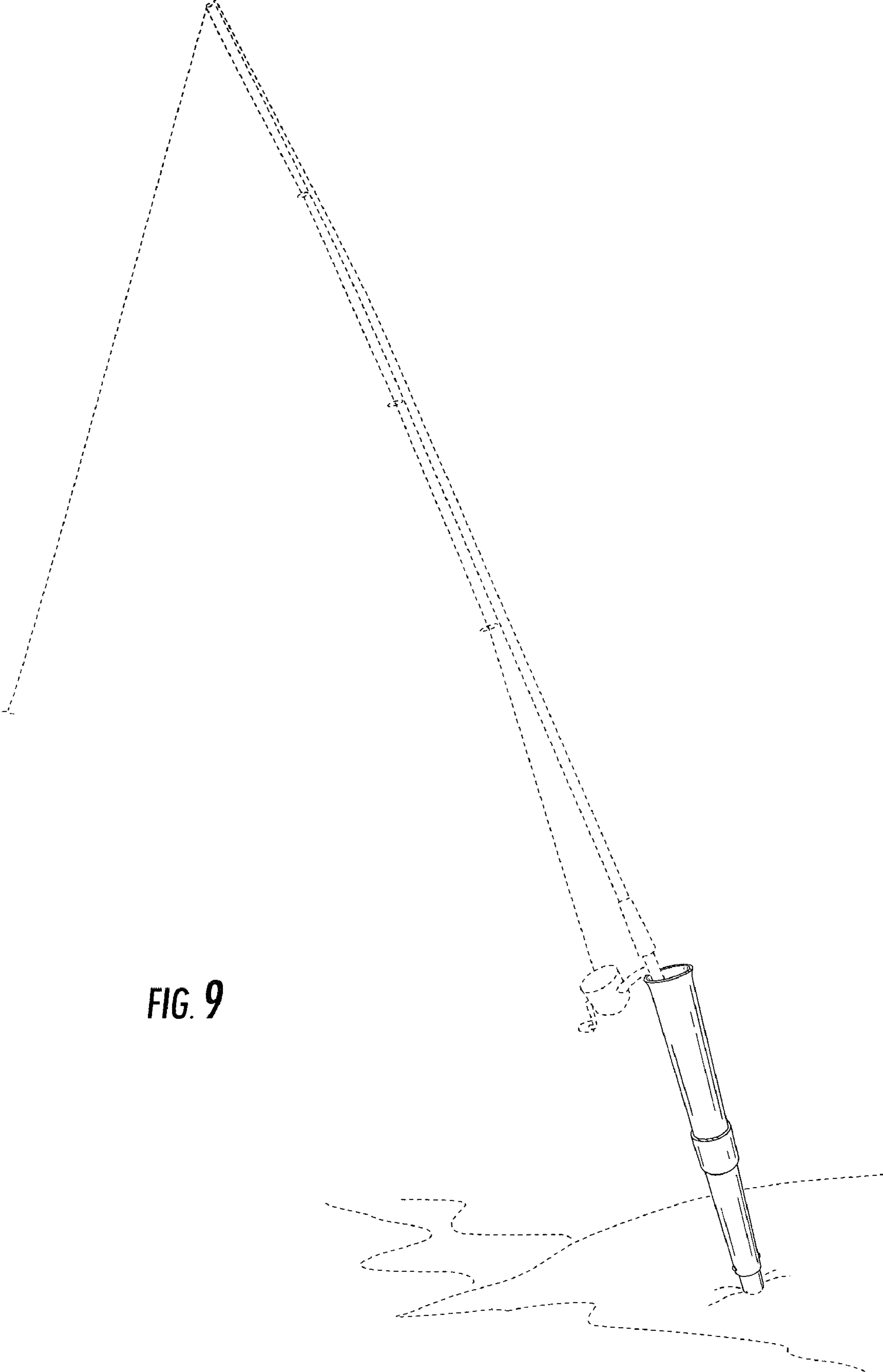


FIG. 9