



US00D618758S

(12) **United States Design Patent**
Zvolanek

(10) **Patent No.:** **US D618,758 S**

(45) **Date of Patent:** **** Jun. 29, 2010**

(54) **FLY SWATTER**

(76) Inventor: **John A. Zvolanek**, 1369 Regent Cir.,
Lincoln, CA (US) 95648

(**) Term: **14 Years**

(21) Appl. No.: **29/348,089**

(22) Filed: **Nov. 24, 2009**

(51) **LOC (9) Cl.** **22-06**

(52) **U.S. Cl.** **D22/124**

(58) **Field of Classification Search** D22/119-124;
43/136-137; 416/70 A, 71-73

See application file for complete search history.

(56) **References Cited**

U.S. PATENT DOCUMENTS

D266,182 S *	9/1982	Borer	D22/124
D266,689 S *	10/1982	Seidel	D22/124
D271,414 S *	11/1983	Kroll	D22/124
D479,299 S *	9/2003	Marciel	D22/124
D514,657 S *	2/2006	Carlton	D22/124

* cited by examiner

Primary Examiner—Catherine R Oliver

(74) *Attorney, Agent, or Firm*—Heisler & Associates

(57) **CLAIM**

The ornamental design for a fly swatter, as shown and described.

DESCRIPTION

FIG. 1 is a perspective view of the fly swatter.

FIG. 2 is a top plan view of the invention.

FIG. 3 is a left side view of the invention, the right side view being a mirror image.

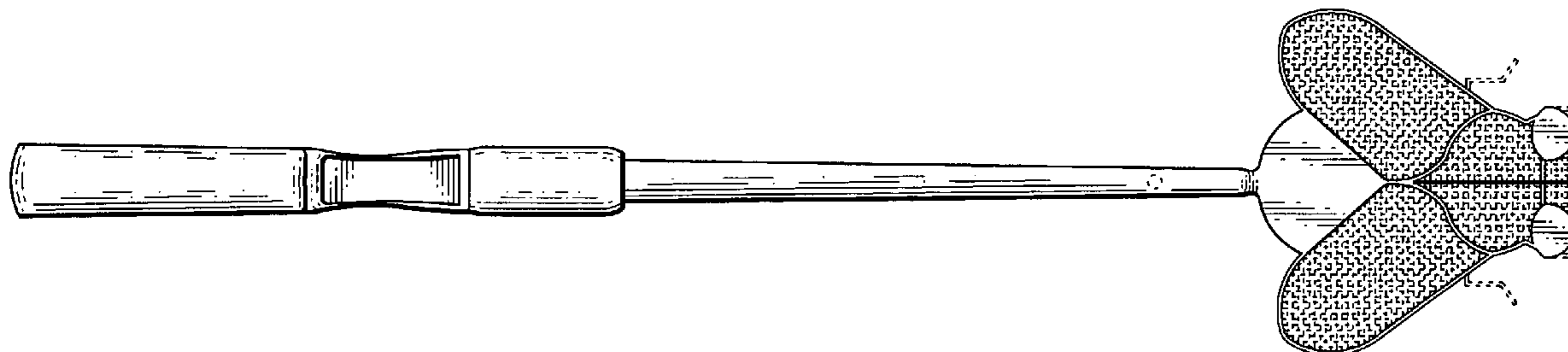
FIG. 4 is a bottom plan view of the invention.

FIG. 5 is a rear elevation view of the invention; and,

FIG. 6 is a front elevation view of the invention.

The broken lines in FIGS. 1-4 are for purposes of illustration only and form no part of the claimed design.

1 Claim, 2 Drawing Sheets



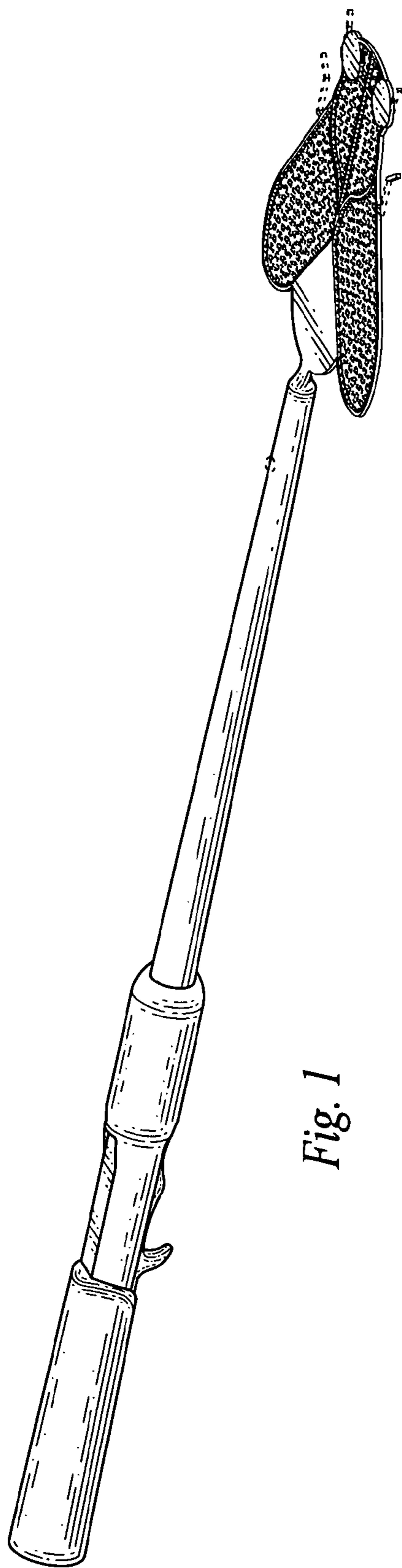


Fig. 1

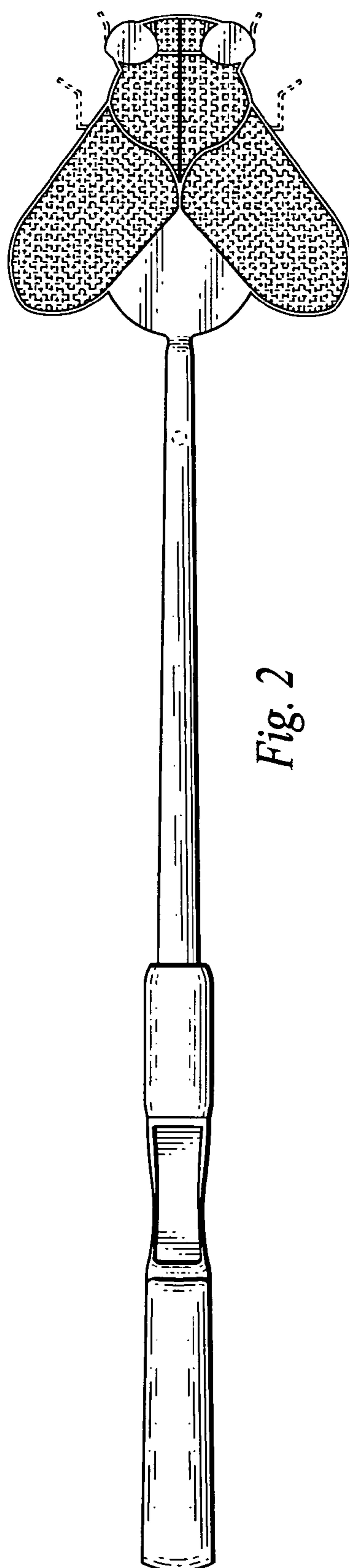


Fig. 2



Fig. 3

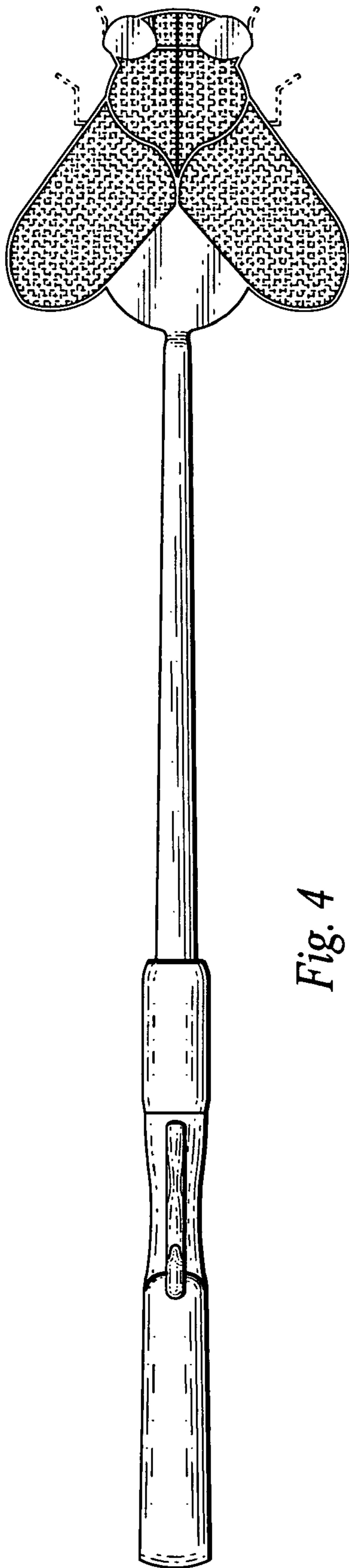


Fig. 4

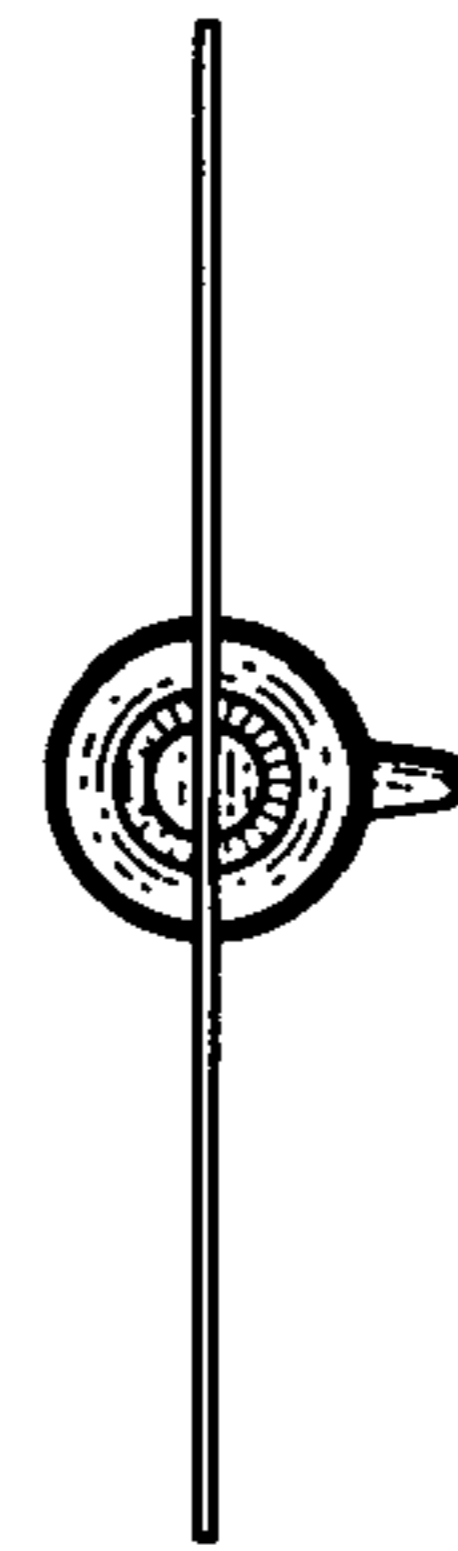


Fig. 6

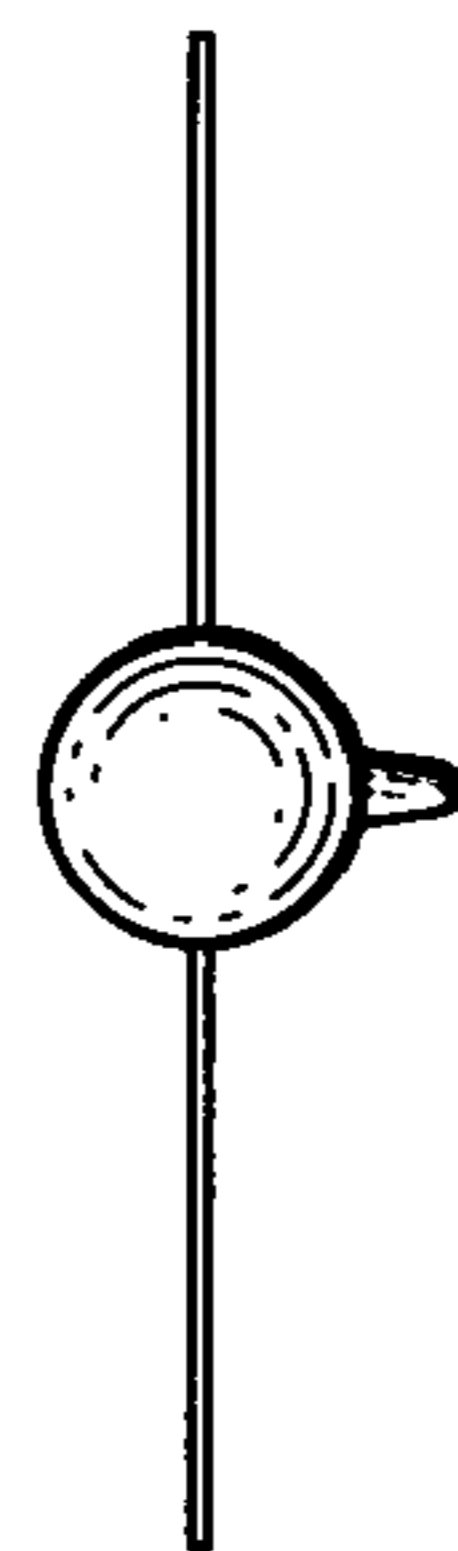


Fig. 5