



US00D618757S

(12) **United States Design Patent**
Stethem

(10) **Patent No.:** **US D618,757 S**
(45) **Date of Patent:** **** Jun. 29, 2010**

(54) **BATON**

D273,216 S 3/1984 Sinrod
4,479,171 A 10/1984 Mains

(75) Inventor: **Kenneth J. Stethem**, Bellevue, ID (US)

(73) Assignee: **Aegis Industries, Inc.**, Rockville, MD (US)

(Continued)

FOREIGN PATENT DOCUMENTS

(**) Term: **14 Years**

DE 2723997 11/1978

(21) Appl. No.: **29/336,267**

(22) Filed: **Apr. 30, 2009**

(Continued)

(51) **LOC (9) Cl.** **22-02**

(52) **U.S. Cl.** **D22/117**

(58) **Field of Classification Search** D22/117;
D3/5-17; 42/1.08, 1.16; 102/370; 109/20,
109/29; 224/914; 362/102, 234, 396

See application file for complete search history.

OTHER PUBLICATIONS

Monadnock Lifetime Products, Inc., "PR-24® Specification," (1 pg.), undated.

(Continued)

Primary Examiner—Catherine R Oliver
(74) *Attorney, Agent, or Firm*—Goodwin Procter LLP

(56) **References Cited**

U.S. PATENT DOCUMENTS

291,242 A	1/1884	Tower
427,549 A	5/1890	Burton
769,880 A	9/1904	Trout et al.
1,158,473 A	11/1915	Floyd
1,823,407 A	9/1931	Potter
1,986,682 A	1/1935	Schulz
2,176,994 A	10/1939	Hansen et al.
2,208,852 A	7/1940	Mongan
2,253,315 A	8/1941	Andrus
2,266,606 A	12/1941	Jones
2,561,122 A	7/1951	Juergens
3,362,711 A	1/1968	Larsen et al.
3,385,601 A	5/1968	Black
3,484,665 A	12/1969	Ormsby
3,625,222 A	12/1971	Shimizu et al.
3,635,374 A	1/1972	Anketell
3,819,108 A	6/1974	Jordan
D243,261 S	2/1977	Sartell
4,092,695 A	5/1978	Henderson et al.
D255,139 S	5/1980	Smith
4,424,932 A	1/1984	Allen

(57) **CLAIM**

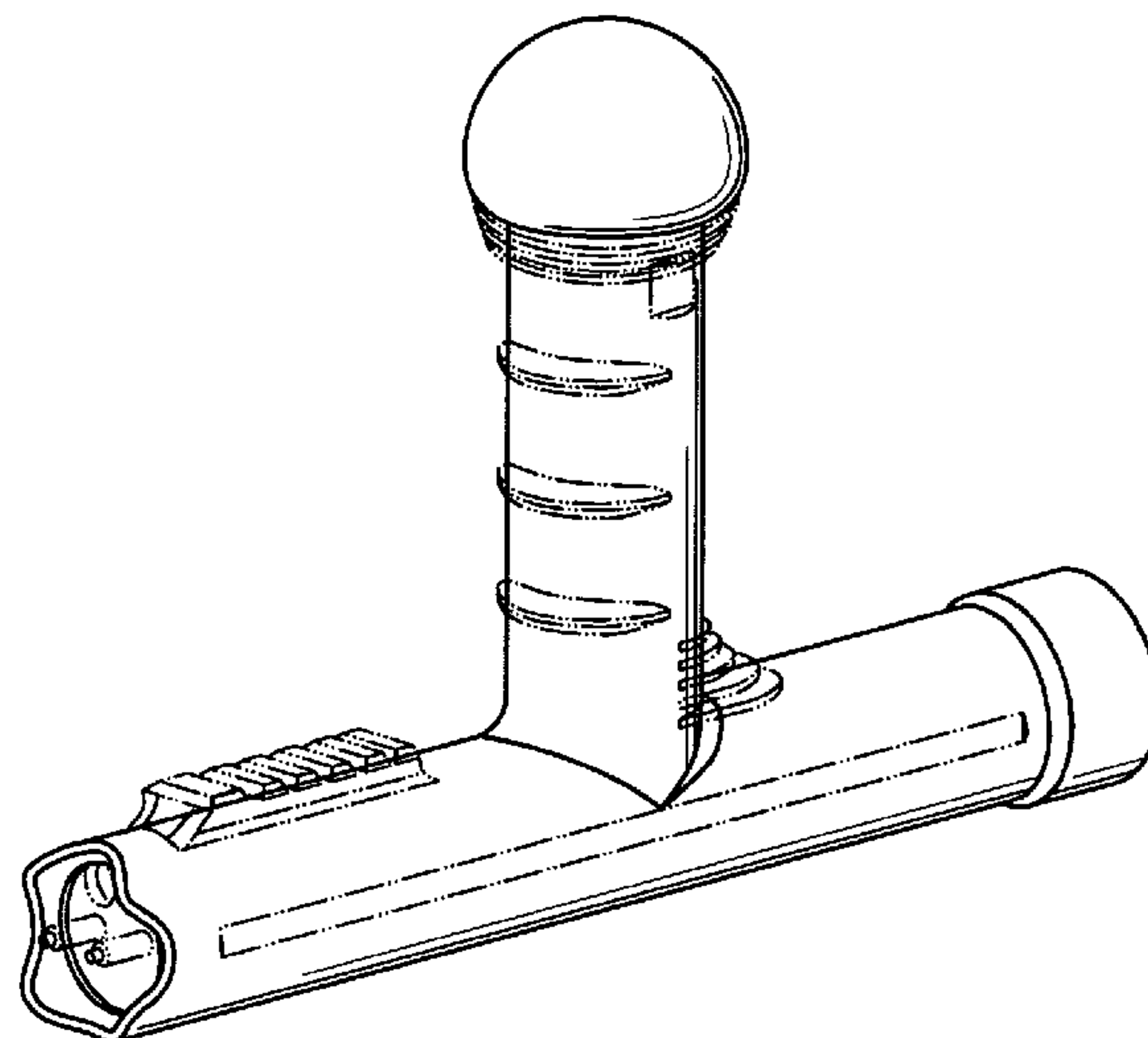
The ornamental design for a baton, as shown and described.

DESCRIPTION

FIG. 1 is a right side view of the baton;
FIG. 2 is a left side view of the baton;
FIG. 3 is a front end view of the baton;
FIG. 4 is a rear end view of the baton;
FIG. 5 is a top view of the baton;
FIG. 6 is a bottom view of the baton; and,
FIG. 7 is a perspective view of the baton.

The raised contours of the baton are shown in uneven broken lines for illustrative purposes only and form no part of the claimed design.

1 Claim, 6 Drawing Sheets



U.S. PATENT DOCUMENTS

4,486,807 A 12/1984 Yanez
D277,596 S * 2/1985 Nishiuchi D22/117
4,522,398 A 6/1985 Swartz et al.
D282,863 S 3/1986 Kashary, Jr.
D289,313 S 4/1987 Shy et al.
4,667,431 A 5/1987 Mendicino
4,719,534 A 1/1988 Ward
4,739,990 A 4/1988 Aguirre et al.
D300,838 S 4/1989 Smith, Sr.
4,842,277 A 6/1989 LaCroix
4,852,454 A 8/1989 Batchelder
4,949,966 A * 8/1990 Bopp D22/117
4,964,636 A 10/1990 Ashihara et al.
4,968,034 A 11/1990 Hsieh et al.
D315,391 S * 3/1991 Fabrey D22/117
D315,392 S 3/1991 Lew
5,041,951 A 8/1991 Fan et al.
5,060,123 A 10/1991 Arnold
5,086,377 A 2/1992 Roberts
5,108,098 A 4/1992 Ashihara et al.
D329,510 S 9/1992 Lin et al.
D333,692 S 3/1993 Parsons
D333,693 S 3/1993 Parsons
5,192,074 A 3/1993 Ashihara et al.
5,193,048 A 3/1993 Kaufman et al.
5,197,734 A 3/1993 Ashihara et al.
D334,790 S * 4/1993 Jaramillo D22/117
5,320,349 A 6/1994 Winston
D348,771 S 7/1994 Barnes
5,347,436 A * 9/1994 Clyde et al. 362/102
5,348,296 A 9/1994 Frederiksen
D351,640 S 10/1994 de Anda et al.
5,363,285 A 11/1994 Wideman
5,405,134 A 4/1995 Wolfram
5,407,197 A 4/1995 Parsons
D359,338 S 6/1995 Starrett
D360,007 S 7/1995 Farr
5,467,247 A 11/1995 de Anda et al.
D365,622 S 12/1995 Edwards
D370,276 S 5/1996 Davis
5,529,300 A 6/1996 Frazier et al.
5,654,867 A 8/1997 Murray
5,698,815 A 12/1997 Ragner
D391,336 S 2/1998 Cecilio
D395,069 S 6/1998 Starrett
D401,374 S 11/1998 Lum
5,829,643 A 11/1998 Isabella
5,839,461 A 11/1998 Lambeth, Jr.
5,842,601 A 12/1998 Pierpoint
5,842,602 A 12/1998 Pierpoint
D404,789 S 1/1999 Starrett
5,962,806 A 10/1999 Coakley et al.
5,986,872 A 11/1999 Chaput
D418,617 S 1/2000 Parsons
6,022,120 A 2/2000 Chang et al.
D421,503 S 3/2000 Parsons
6,091,597 A 7/2000 Lin et al.
D435,888 S 1/2001 Iyoob
6,196,921 B1 3/2001 Larson
D440,273 S 4/2001 Hindi
6,256,916 B1 7/2001 McNulty
6,293,684 B1 9/2001 Riblett
D450,451 S 11/2001 Starrett
D452,545 S 12/2001 Starrett
6,386,726 B1 5/2002 Macierowski et al.
D464,367 S 10/2002 Conrad
D467,828 S 12/2002 Jones
6,499,855 B1 12/2002 Kukuk

6,546,661 B1 4/2003 Staubs
D474,827 S 5/2003 Todd et al.
D479,298 S 9/2003 Parsons
6,615,622 B2 9/2003 MacAleese et al.
6,636,412 B2 10/2003 Smith
6,643,114 B2 11/2003 Stethem
D483,432 S 12/2003 Parsons
6,658,779 B2 12/2003 Bauer et al.
6,675,073 B2 1/2004 Kieman et al.
D487,629 S 3/2004 Parsons et al.
6,791,816 B2 9/2004 Stethem
6,807,762 B1 10/2004 Edwards
6,877,434 B1 4/2005 McNulty, Jr.
6,880,466 B2 4/2005 Carman
D504,712 S 5/2005 Powell et al.
6,898,887 B1 5/2005 Stratbucker
6,922,931 B2 8/2005 Bauer et al.
7,000,807 B2 2/2006 Cellini et al.
7,004,597 B2 2/2006 Kukuk
D517,154 S 3/2006 Otto
7,029,397 B1 4/2006 Barwick
D520,593 S 5/2006 Anderson
D520,733 S 5/2006 Siteman et al.
7,044,858 B1 5/2006 Otto et al.
D532,859 S 11/2006 Stethem
7,158,362 B2 1/2007 Smith
7,211,001 B2 5/2007 Motyka et al.
2002/0170418 A1 11/2002 McNulty, Jr. et al.
2004/0065310 A1 4/2004 Masse
2005/0039628 A1 2/2005 Carman
2005/0043101 A1 2/2005 Knapp
2005/0073798 A1 4/2005 Stethem
2007/0045346 A1 3/2007 Siteman
2007/0079538 A1 4/2007 Smith et al.
2007/0167241 A1 7/2007 Stethem et al.
2007/0238532 A1 10/2007 Stethem
2008/0130193 A1 6/2008 Nerheim

FOREIGN PATENT DOCUMENTS

DE 20212940 12/2002
NL 6816116 5/1970

OTHER PUBLICATIONS

“Monadnock 36” Thermoplastic Grenade Grip Straight Baton,” website: <http://www.copsplus.com/prodnum5507.php>, (5 pgs.), accessed Oct. 23, 2006.
“Monadnock 24” Monpac Baton Night Stick,” website: <http://www.copsplus.com/prodnum1607.php>, (5 pgs.), accessed Oct. 23, 2006.
“Casco CP-24 24” Straight Polycarbonate Baton,” website: <http://www.copsplus.com/prodnum2566.php>, (5 pgs.), accessed Oct. 23, 2006.
“Casco 18” to 26” Straight Acetate Batons,” website: <http://www.copsplus.com/prodnum2571.php>, (5 pgs.), accessed Oct. 23, 2006.
Monadnock Lifetime Products, Inc., “PR-24 Control Baton® Benefits,” website: <http://www.batons.com/pr/ben.htm>, (2 pgs.), accessed Oct. 23, 2006.
Monadnock Lifetime Products, Inc., “PR-24 Control Baton® Functions,” website: <http://www.batons.com/pr/fun.htm>, (1 pg.), accessed Oct. 23, 2006.
Monadnock Lifetime Products, Inc., “PR-24 Control Baton® Specifications,” website: <http://www.batons.com/pr/spec.htm>, (2 pgs.), accessed Oct. 23, 2006.
Monadnock Lifetime Products, Inc., “PR-24 Control Baton®,” website: <http://www.batons.com/pr/index.htm>, (2 pgs.), accessed Oct. 23, 2006.
“Monadnock Model PR-24STS 24” Polycarbonate Control Baton,” website: <http://www.copsplus.com/prodnum1593.php>, (5 pgs.), accessed Oct. 23, 2006.

* cited by examiner

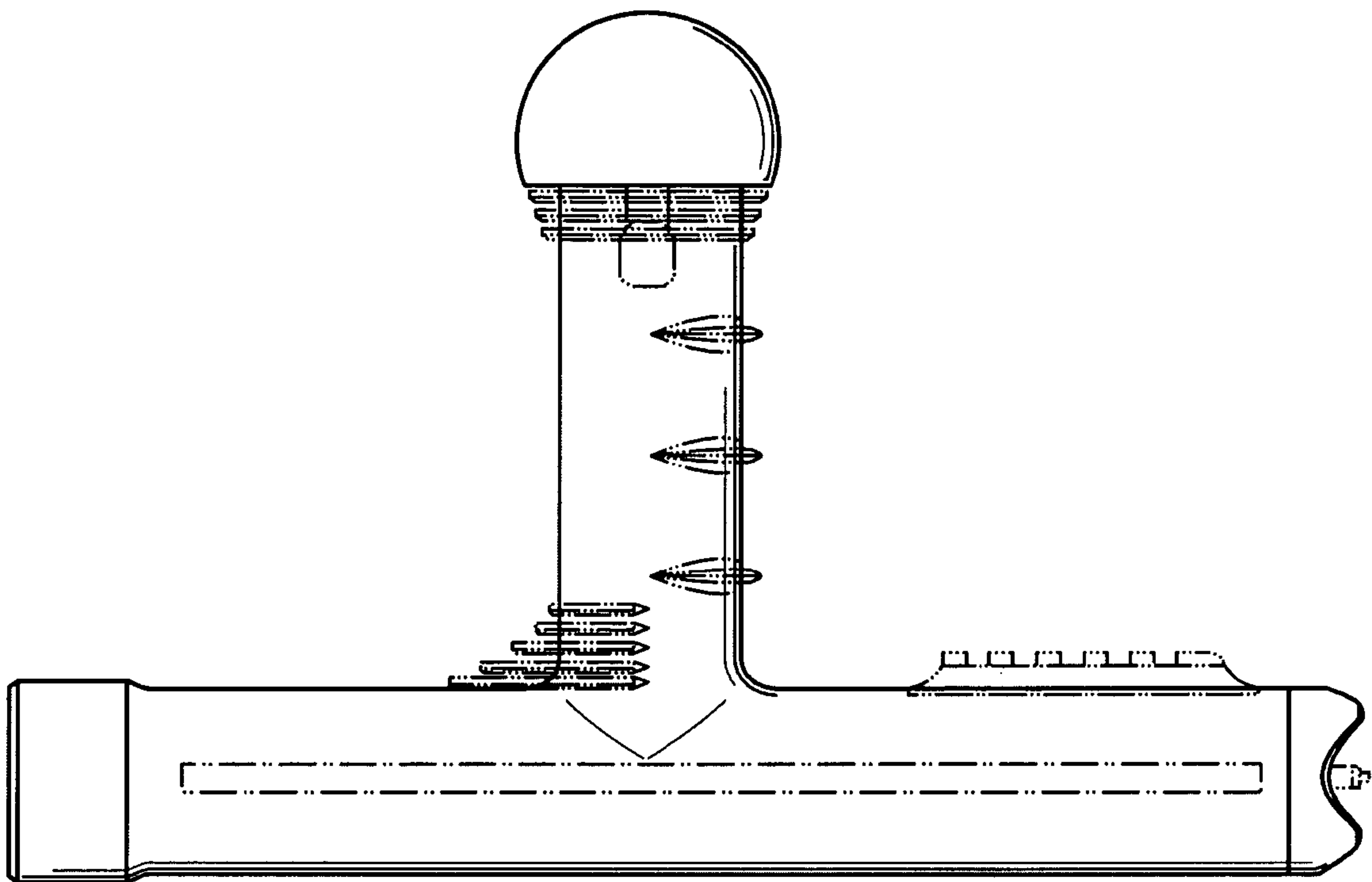


FIG. 1

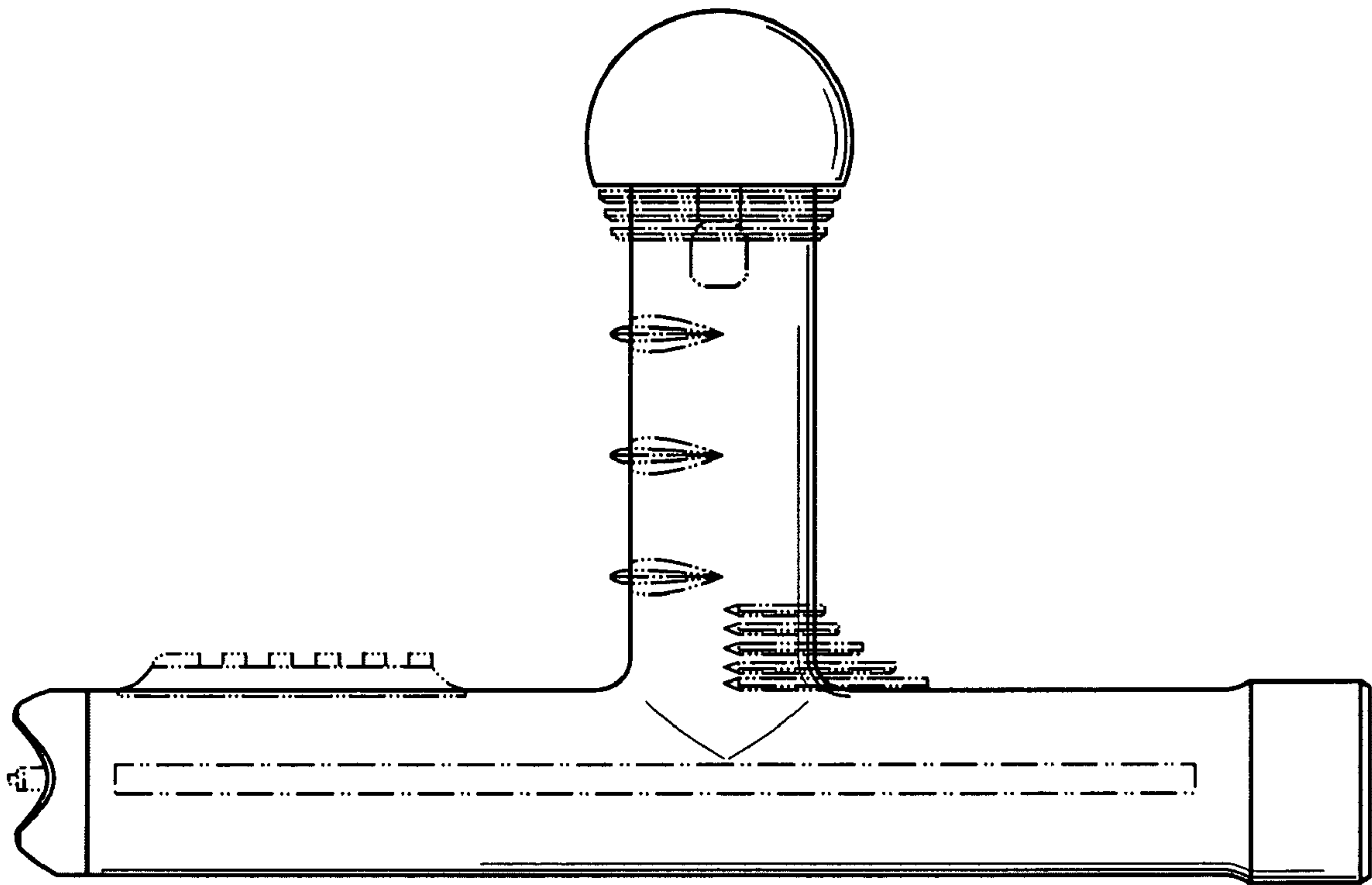


FIG. 2

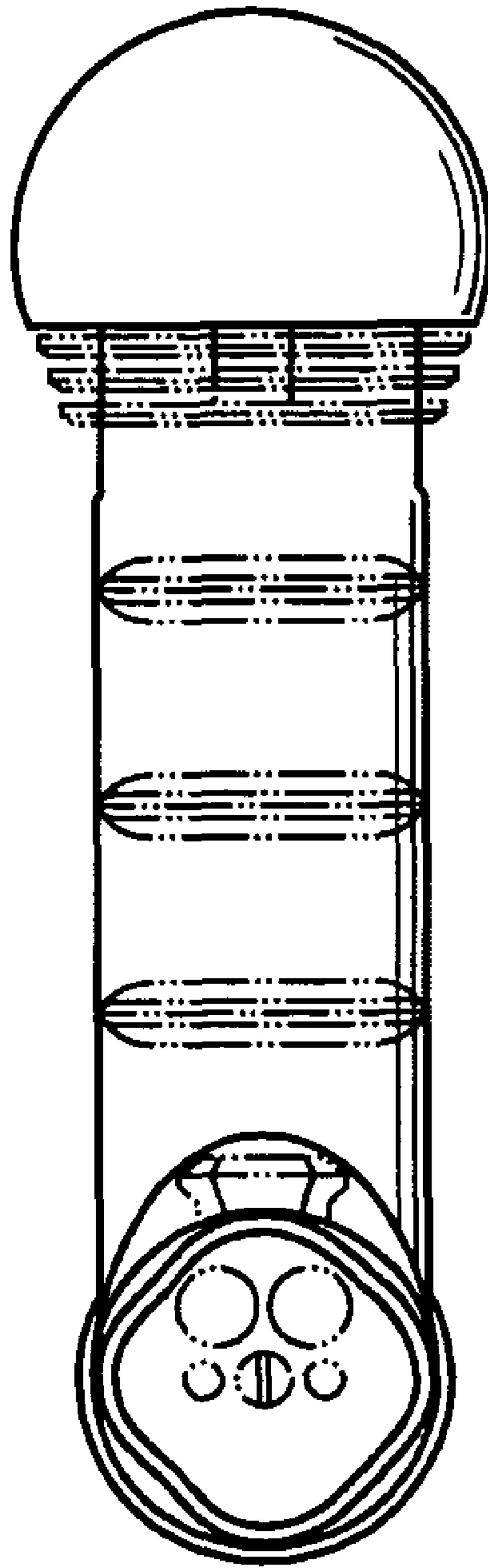


FIG. 3

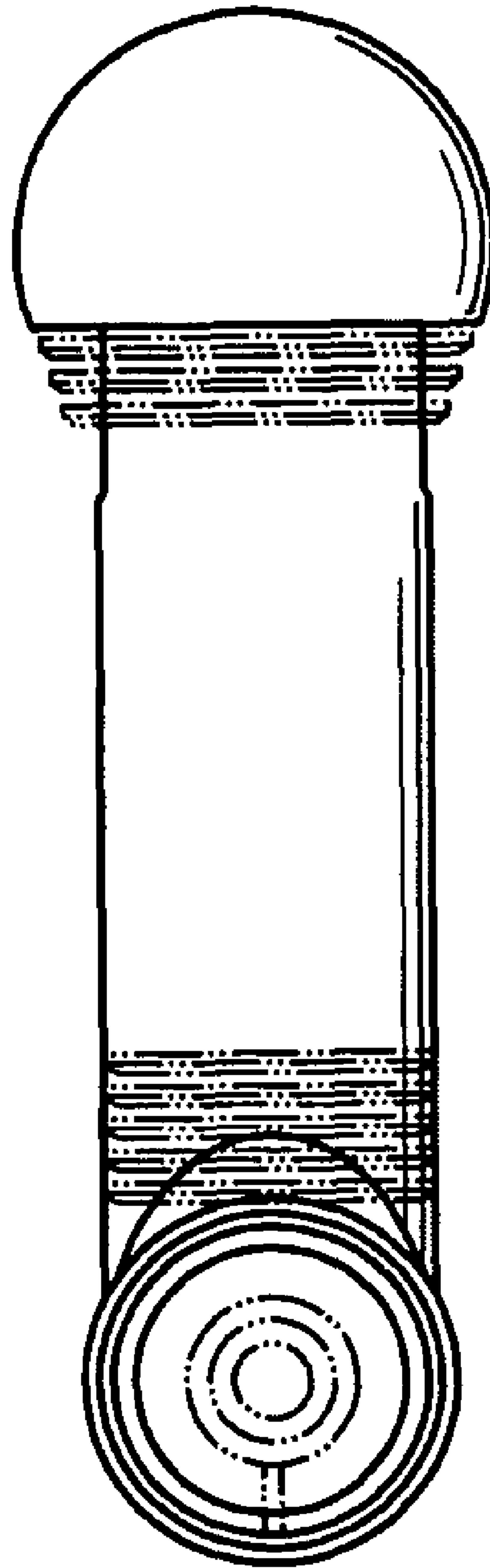


FIG. 4

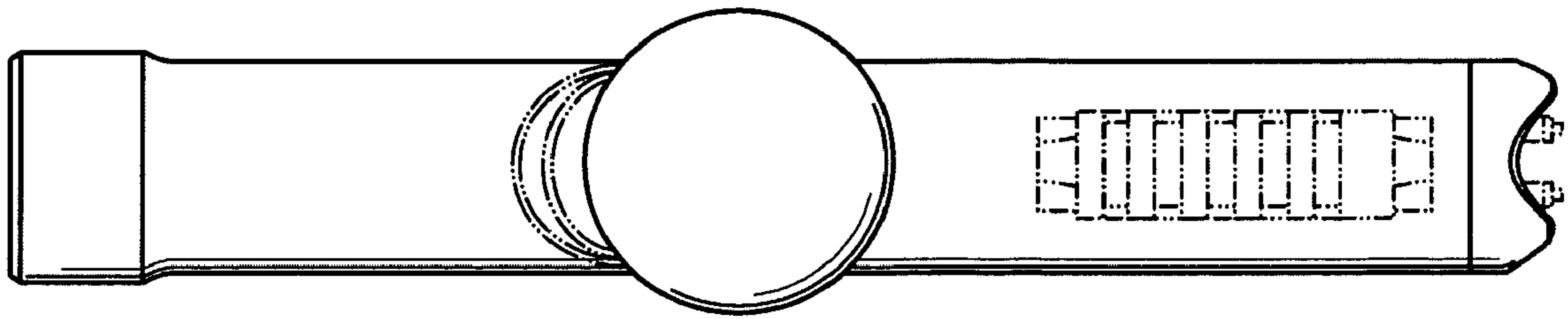


FIG. 5

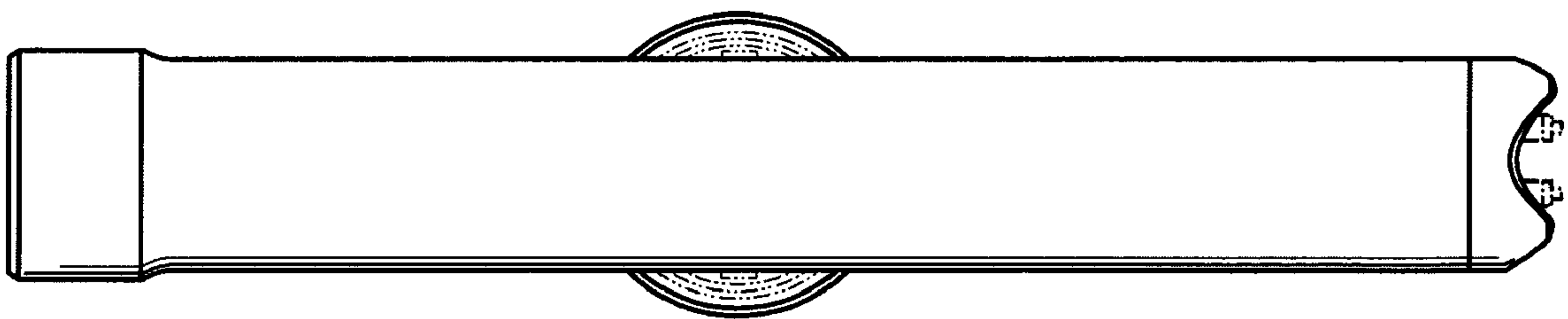


FIG. 6

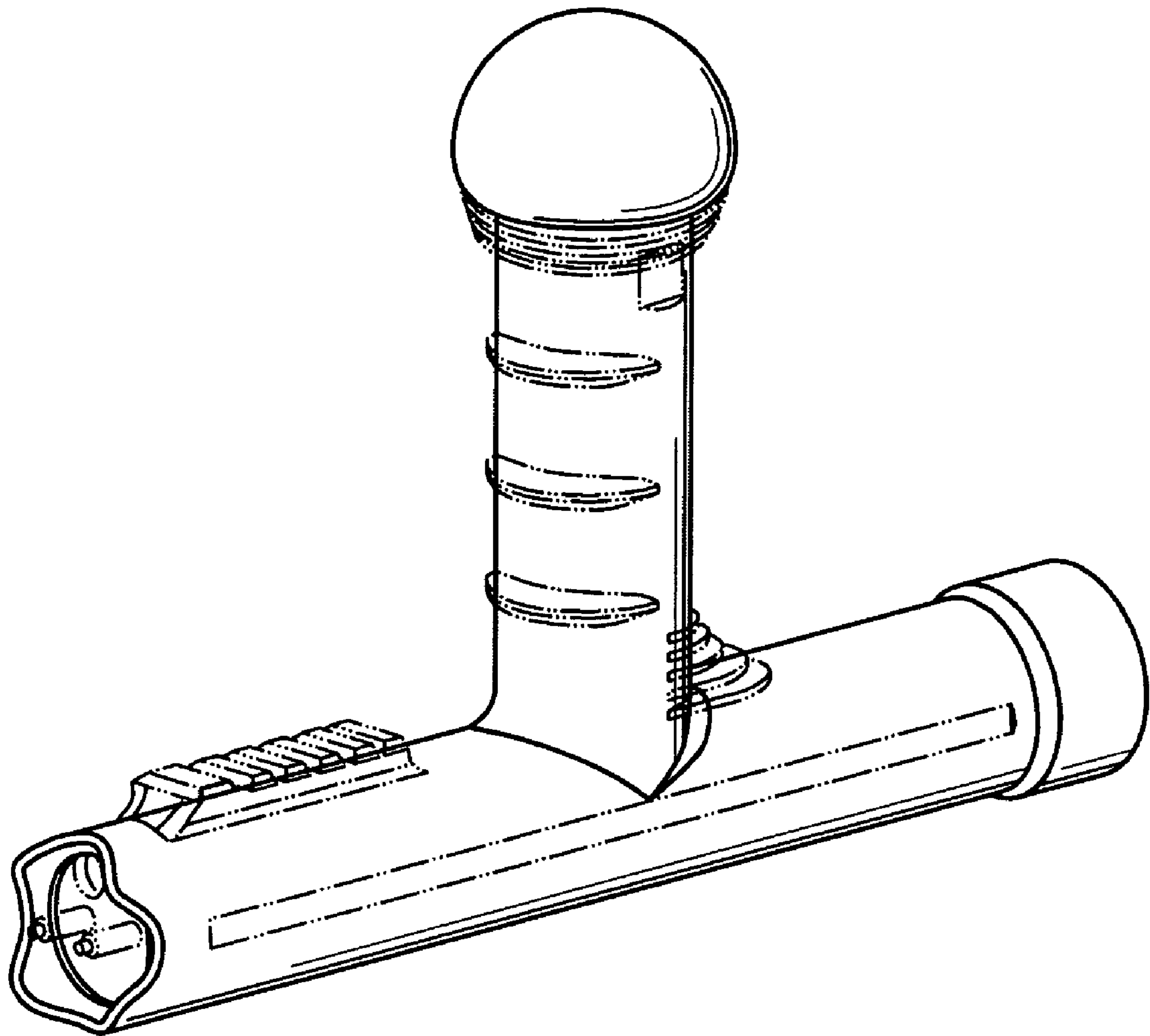


FIG. 7