



US00D618752S

(12) **United States Design Patent**
Morris et al.

(10) **Patent No.:** **US D618,752 S**
(45) **Date of Patent:** **** Jun. 29, 2010**

(54) **IRON GOLF CLUB HEAD CAVITY**
(75) Inventors: **Thomas C. Morris**, Carlsbad, CA (US);
James O'Shea, III, Carlsbad, CA (US);
Ryan L. Roach, Carlsbad, CA (US);
John Wooster, Winnetka, IL (US);
Douglas E. Roberts, Carlsbad, CA (US)

D547,407 S 7/2007 Morris et al.
D559,931 S * 1/2008 Roach et al. D21/747
D580,503 S 11/2008 Roach et al.
D591,808 S 5/2009 Clausen et al.
D595,797 S * 7/2009 Oldknow D21/759
D596,251 S * 7/2009 Guerrette et al. D21/747
D596,684 S * 7/2009 Sutovsky et al. D21/747
D597,157 S * 7/2009 Wallin et al. D21/747

(73) Assignee: **Cobra Golf, Inc.**, Carlsbad, CA (US)

* cited by examiner

(**) Term: **14 Years**

Primary Examiner—Mitchell I Siegel

(21) Appl. No.: **29/337,766**

(74) *Attorney, Agent, or Firm*—Knobbe, Martens, Olson & Bear LLP

(22) Filed: **May 29, 2009**

(57) **CLAIM**

(51) **LOC (9) Cl.** **21-02**

The ornamental design for an iron golf club head cavity, as shown and described.

(52) **U.S. Cl.** **D21/759**

(58) **Field of Classification Search** D21/747–751,
D21/759; 473/324–331, 350
See application file for complete search history.

DESCRIPTION

FIG. 1 is a toe side, back perspective view of our new iron golf club head cavity;

FIG. 2 is a back view thereof; and,

FIG. 3 is a top, back perspective view thereof.

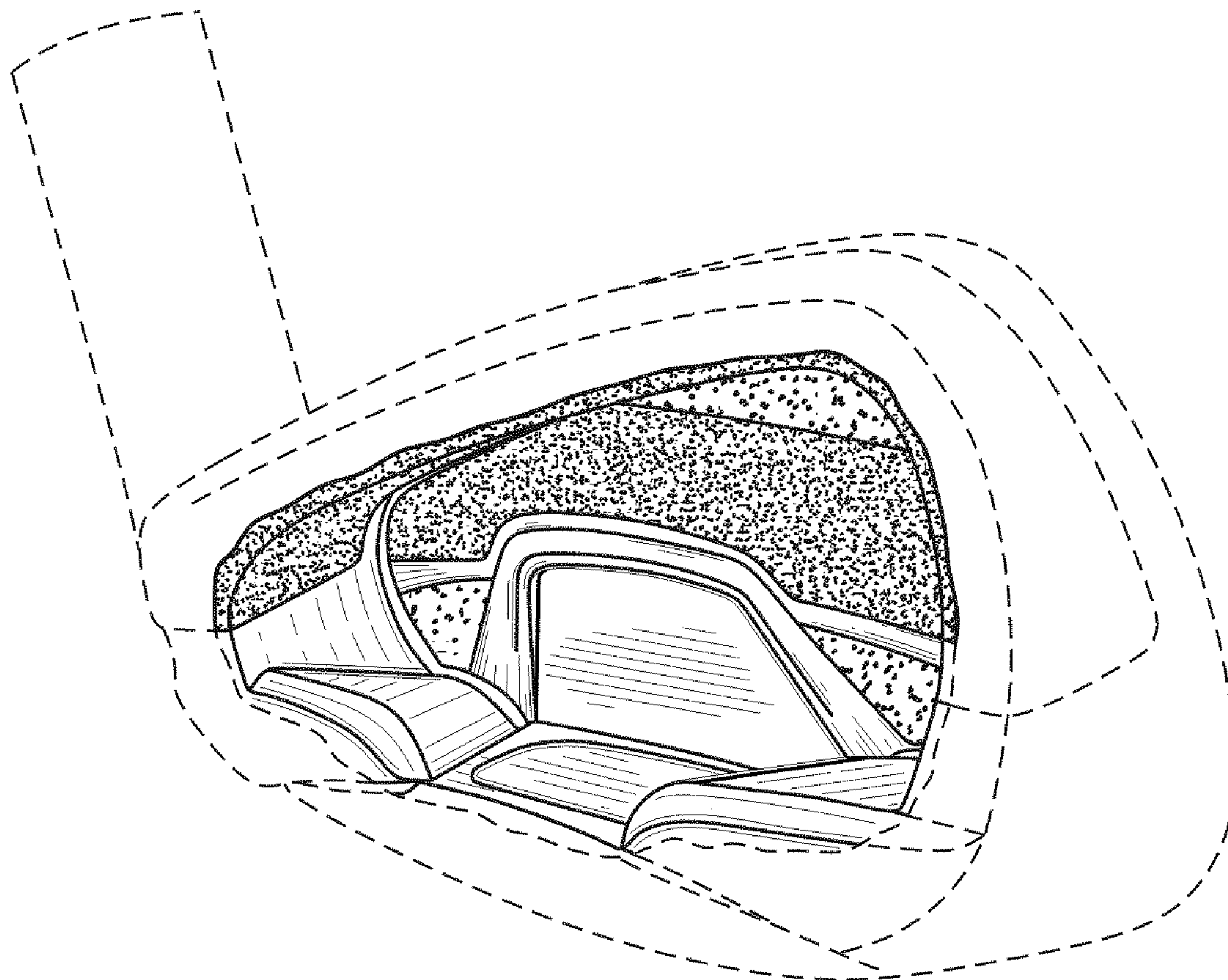
The portion of the iron golf club head cavity shown in phantom does not form any portion of the present invention.

(56) **References Cited**

U.S. PATENT DOCUMENTS

D404,780 S * 1/1999 Long D21/749
D428,635 S * 7/2000 Nagai et al. D21/759
D466,576 S * 12/2002 Nagai et al. D21/759
D526,036 S * 8/2006 Nishitani D21/747

1 Claim, 2 Drawing Sheets



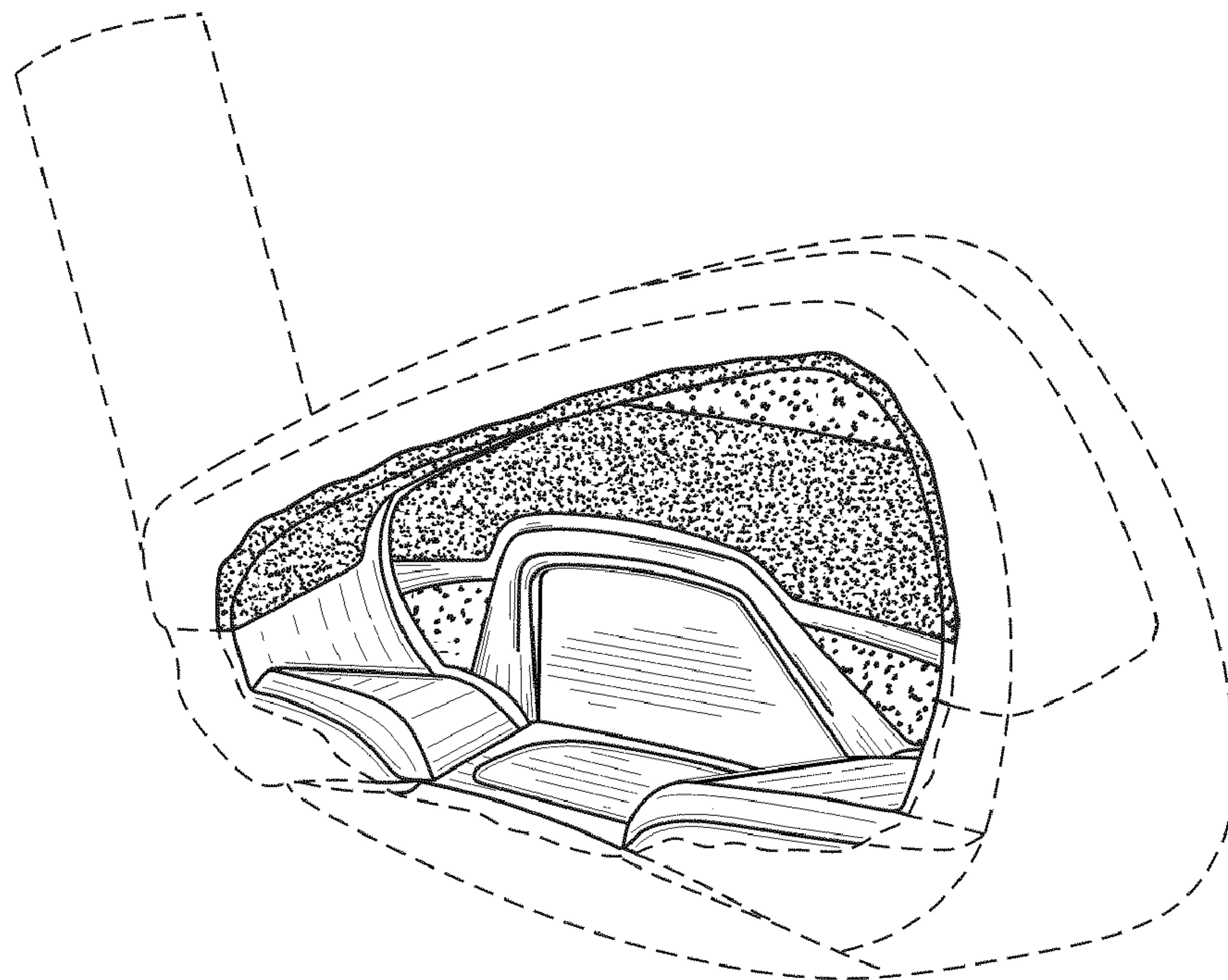


FIG. 1

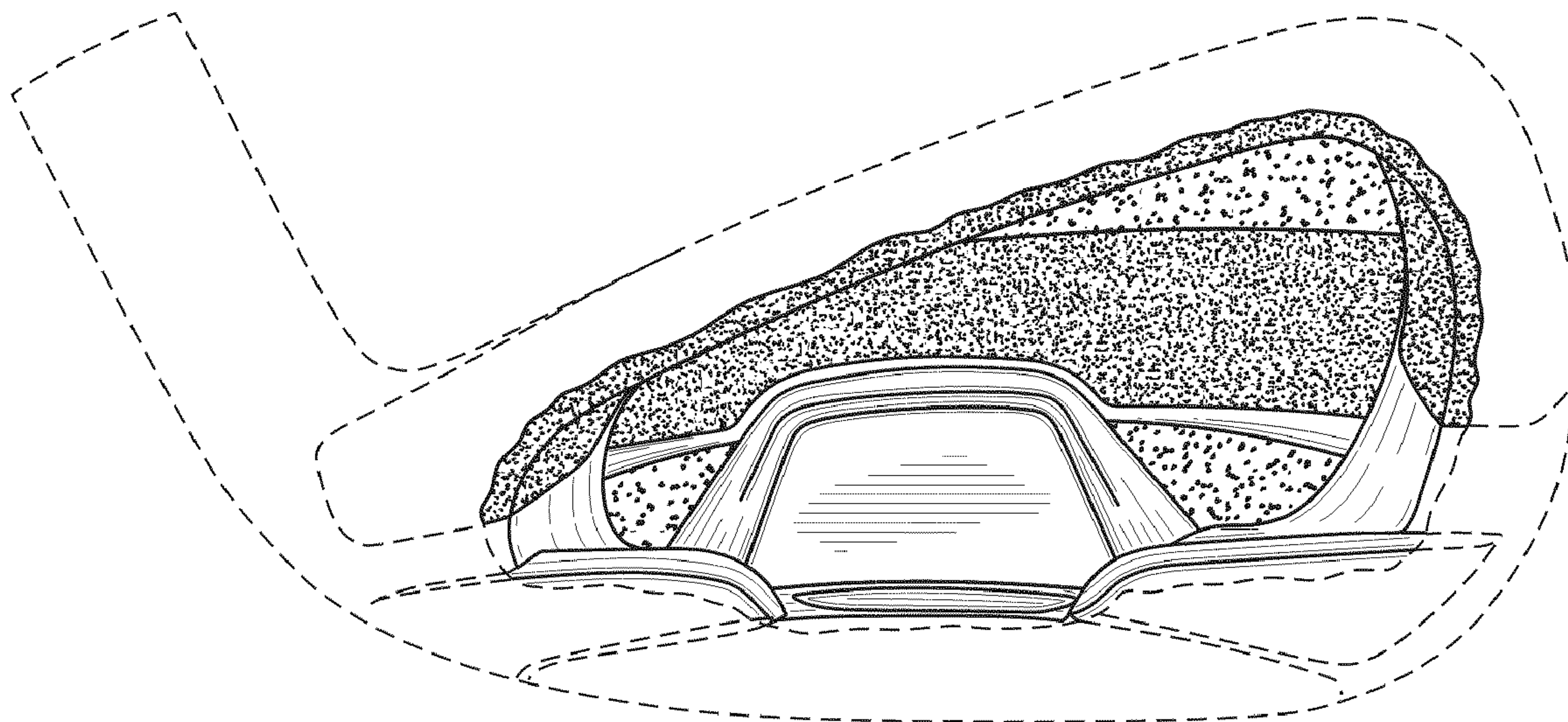


FIG. 2

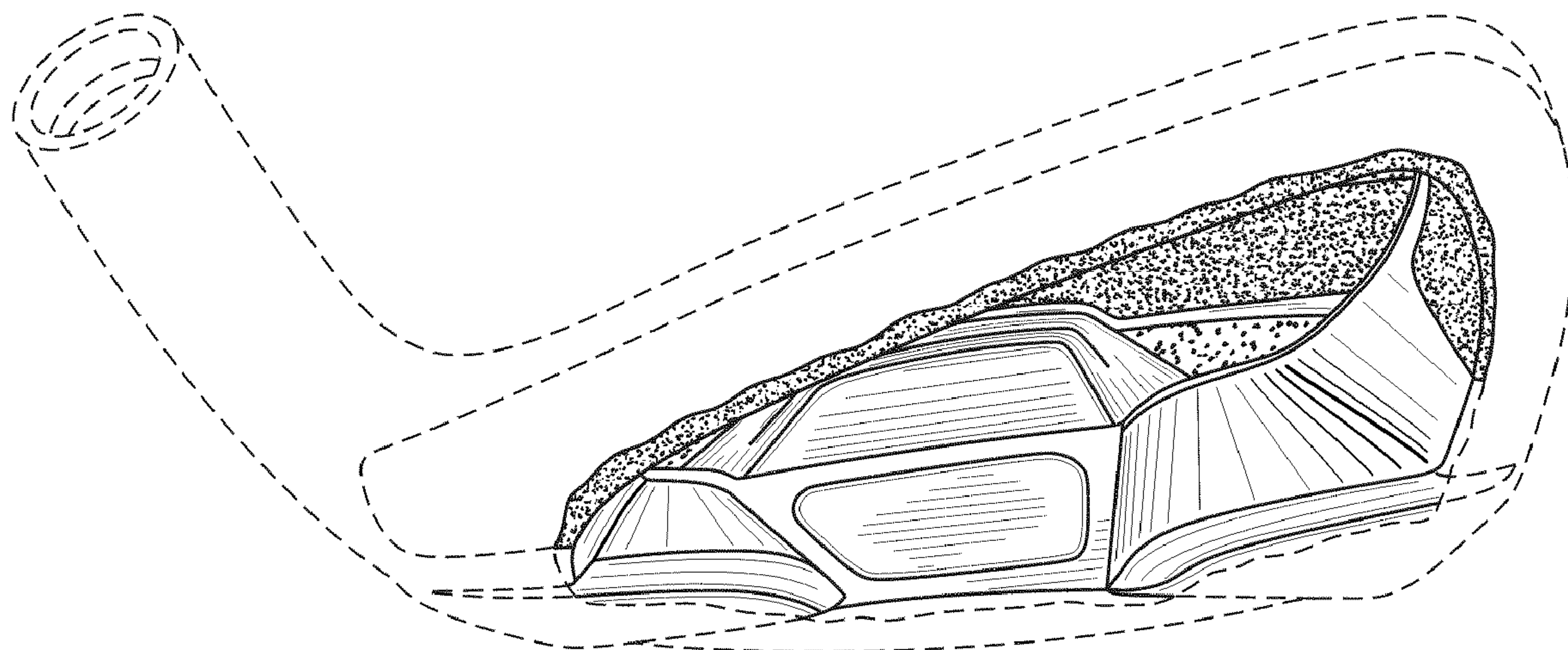


FIG. 3