



US00D618750S

(12) **United States Design Patent**  
**Roberts et al.**

(10) **Patent No.:** **US D618,750 S**  
(45) **Date of Patent:** **\*\* Jun. 29, 2010**

(54) **IRON GOLF CLUB HEAD CAVITY**

(75) Inventors: **Douglas E. Roberts**, Carlsbad, CA (US);  
**Ryan L. Roach**, Carlsbad, CA (US);  
**John Bosilkovski**, Shelby Township, MI (US);  
**John Wooster**, Winnetka, IL (US)

(73) Assignee: **Cobra Golf, Inc.**, Carlsbad, CA (US)

(\*\*) Term: **14 Years**

(21) Appl. No.: **29/337,660**

(22) Filed: **May 27, 2009**

(51) **LOC (9) Cl.** ..... **21-02**

(52) **U.S. Cl.** ..... **D21/759**

(58) **Field of Classification Search** ..... D21/747–751,  
D21/759; 473/324–331, 350  
See application file for complete search history.

(56) **References Cited**

**U.S. PATENT DOCUMENTS**

D537,138 S \* 2/2007 Clausen et al. .... D21/749  
D548,297 S \* 8/2007 Best et al. .... D21/748  
D549,791 S \* 8/2007 Morris et al. .... D21/748  
D580,503 S \* 11/2008 Roach et al. .... D21/747

D581,000 S \* 11/2008 Nicolette et al. .... D21/749  
D591,808 S \* 5/2009 Clausen et al. .... D21/747  
D591,819 S \* 5/2009 Bosilkovski et al. .... D21/759  
D601,651 S \* 10/2009 Jorgensen et al. .... D21/759

\* cited by examiner

*Primary Examiner*—Mitchell I Siegel

(74) *Attorney, Agent, or Firm*—Knobbe, Martens, Olson & Bear LLP

(57) **CLAIM**

The ornamental design for an iron golf club head cavity, as shown and described.

**DESCRIPTION**

FIG. 1 is a heel side, back perspective view of our new iron golf club head cavity;

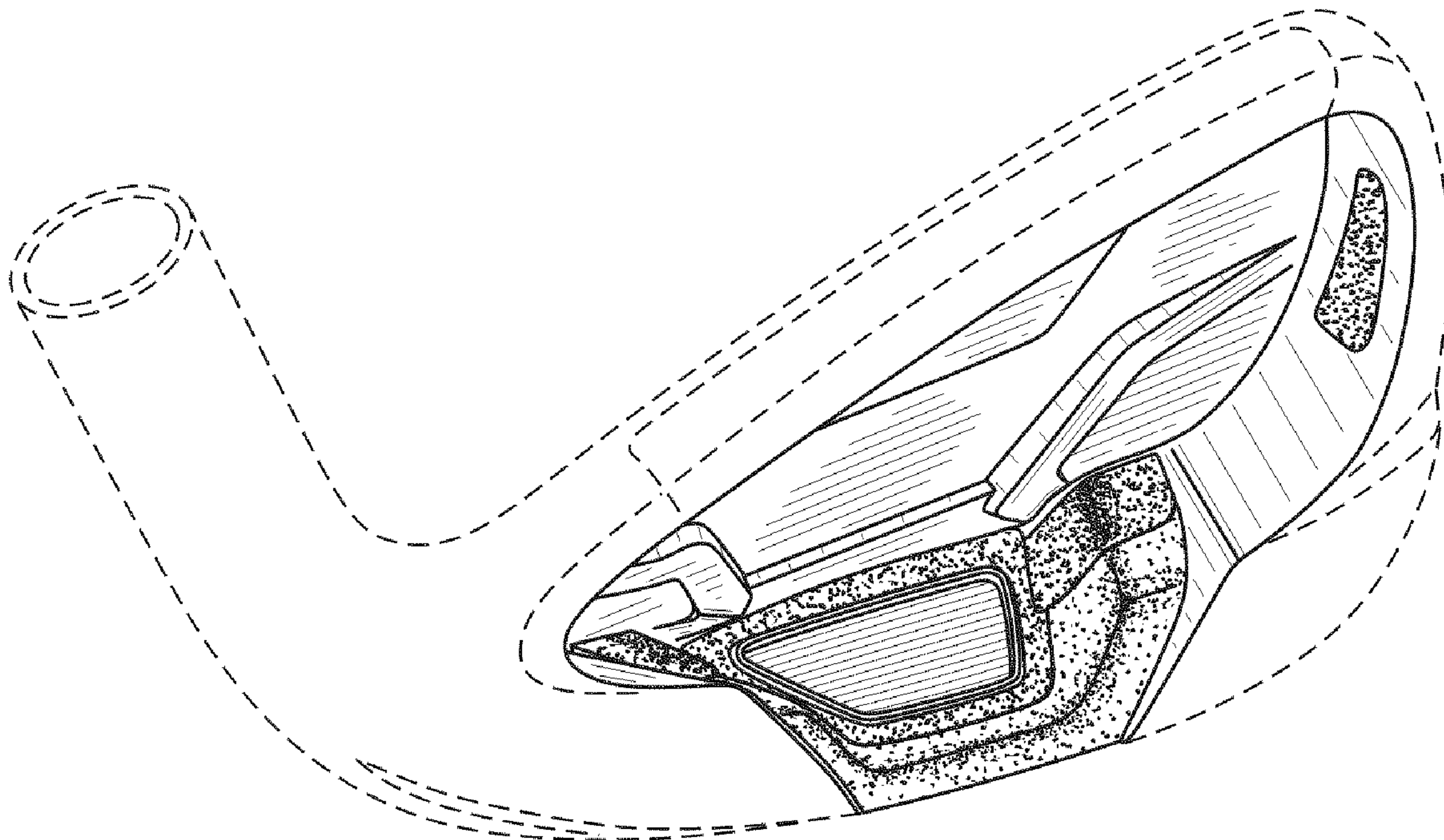
FIG. 2 is a back view thereof;

FIG. 3 is a top, back perspective view thereof; and,

FIG. 4 is a toe side, back perspective view thereof.

The portion of the iron golf club head cavity shown in phantom does not form any portion of the present invention.

**1 Claim, 2 Drawing Sheets**



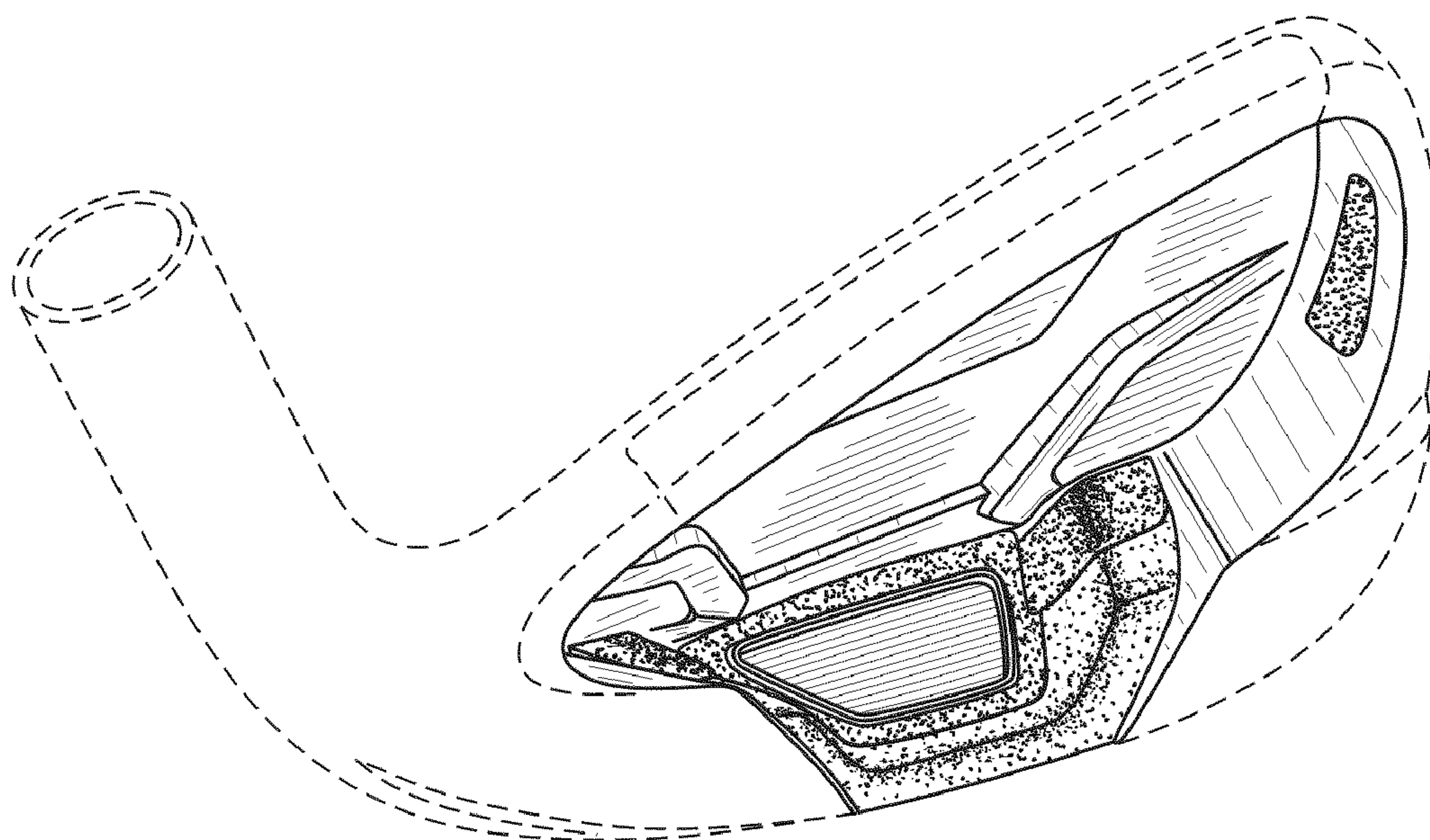


FIG. 1

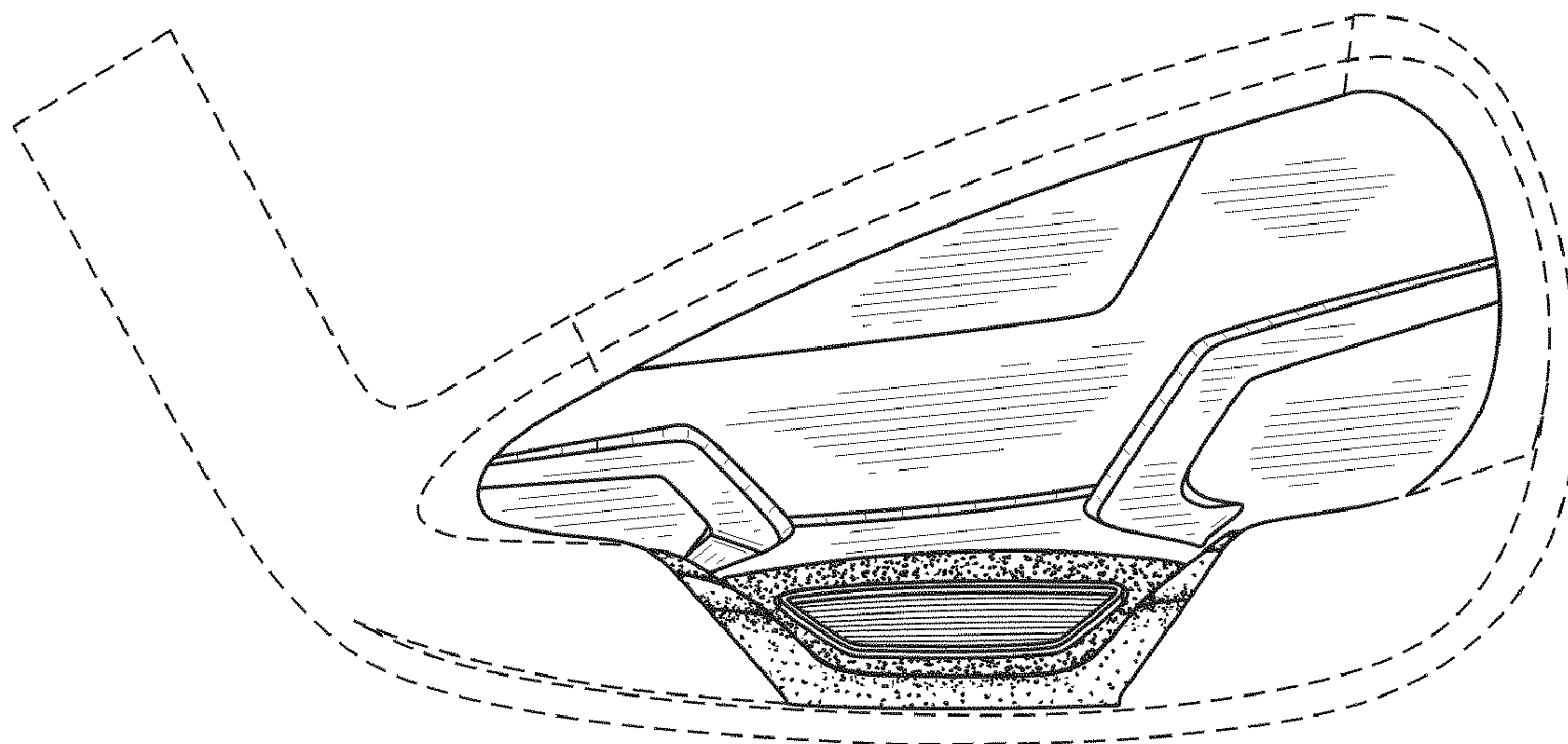


FIG. 2



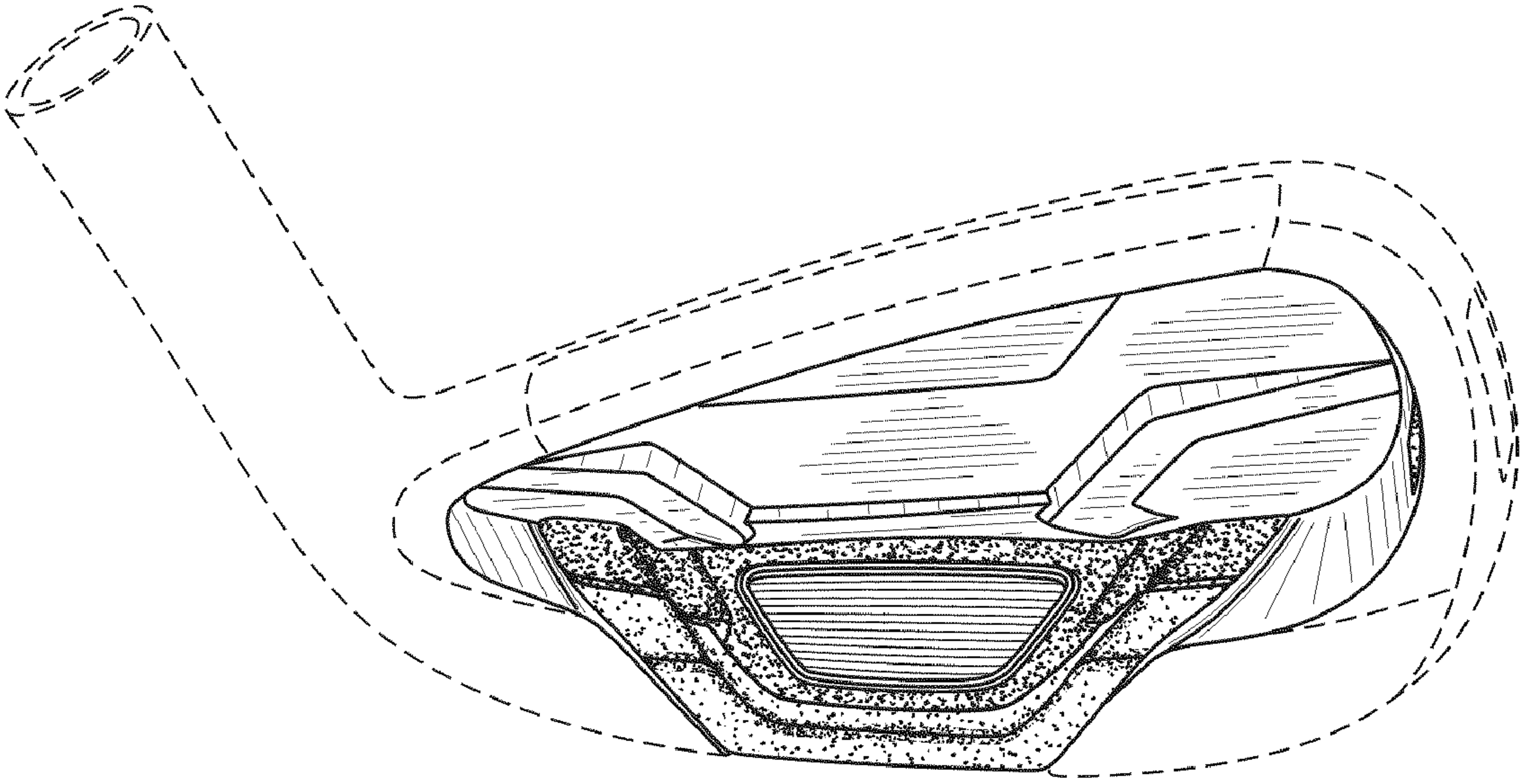


FIG. 3

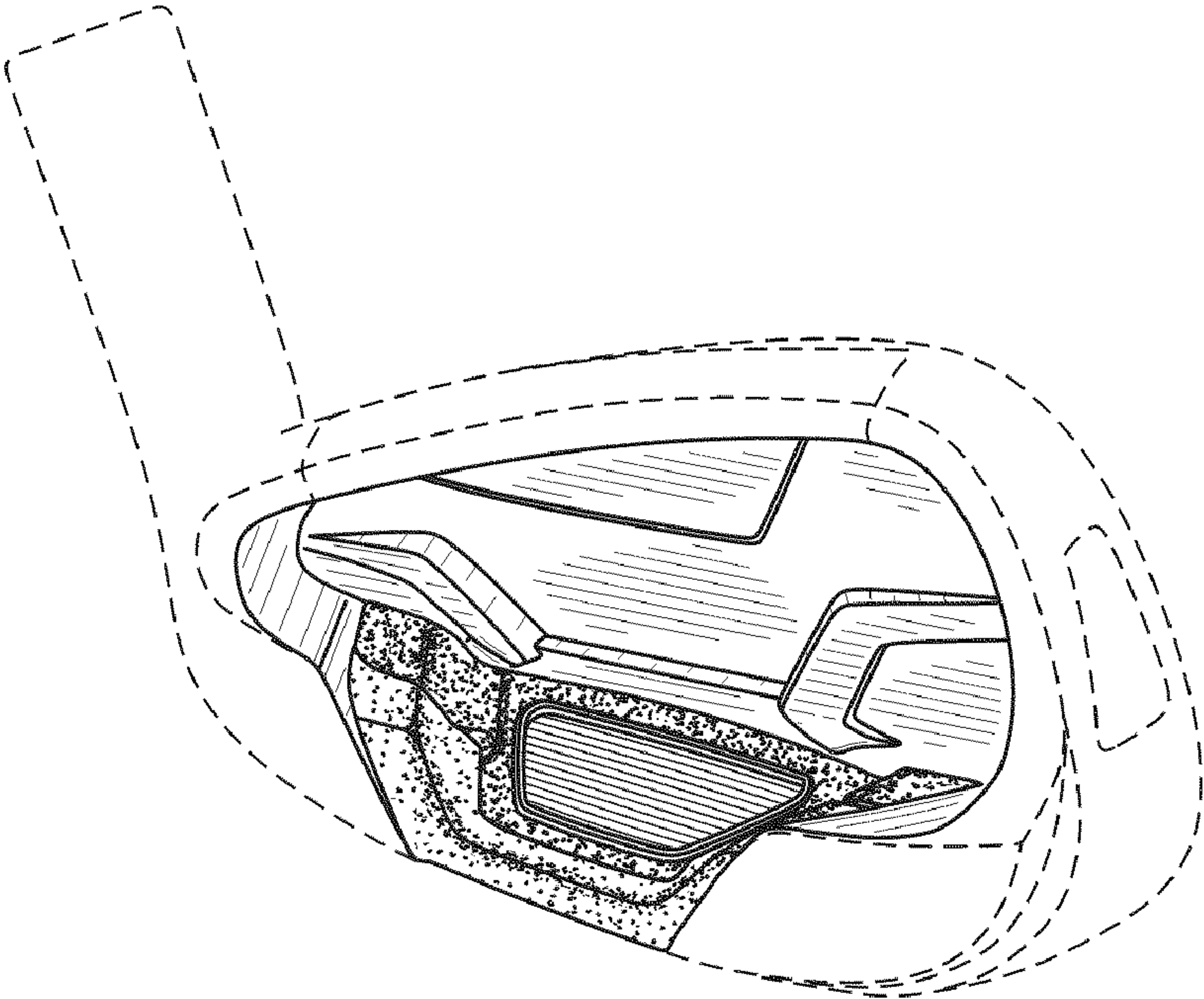


FIG. 4