



US00D618742S

(12) **United States Design Patent**
Sanderson

(10) **Patent No.:** **US D618,742 S**

(45) **Date of Patent:** **** Jun. 29, 2010**

(54) **GOLF PUTTER CLUB HEAD**

(76) Inventor: **Don Sanderson**, 78 Franklin Drive SE,
Calgary, Alberta (CA) T2H 0T9

(**) Term: **14 Years**

(21) Appl. No.: **29/339,800**

(22) Filed: **Jul. 8, 2009**

(51) **LOC (9) Cl.** **21-02**

(52) **U.S. Cl.** **D21/736**

(58) **Field of Classification Search** D21/736-746;
473/324-331, 340-341

See application file for complete search history.

(56) **References Cited**

U.S. PATENT DOCUMENTS

D191,211 S	9/1961	Forest	
3,632,112 A	1/1972	Jacobs	
3,881,733 A	5/1975	Csernits	
D246,541 S	11/1977	Myers	
D335,692 S *	5/1993	Antonious D21/736
5,409,220 A	4/1995	Lombardo	
5,456,464 A	10/1995	Davenport	
5,470,070 A	11/1995	Bendo	
D395,691 S *	6/1998	Spano D21/736
D396,257 S *	7/1998	Spano D21/736
D397,177 S *	8/1998	Spano D21/736
6,045,452 A	4/2000	Ahn	
6,110,057 A	8/2000	McKinnon	
6,183,379 B1	2/2001	Kim	
6,464,599 B1	10/2002	Wolf	
6,663,499 B2	12/2003	Riseley	
D494,238 S *	8/2004	Fain D21/736
D494,646 S *	8/2004	Fain D21/736
D494,647 S *	8/2004	Fain D21/736
D495,389 S *	8/2004	Pinder D21/736

D514,180 S *	1/2006	Fain D21/736
7,033,283 B2	4/2006	Kang	
D520,088 S *	5/2006	Parr D21/744
7,232,379 B2	6/2007	Riseley	
7,442,131 B2	10/2008	Milana	
7,462,112 B1	12/2008	Sung	
2002/0019264 A1	2/2002	Buchanan	
2002/0055395 A1	5/2002	Douglas	
2005/0009623 A1	1/2005	Dickinson	
2008/0009362 A1	1/2008	Burns, Jr.	
2008/0207350 A1	8/2008	Jung	
2008/0300067 A1	12/2008	Hamlin	

* cited by examiner

Primary Examiner—Mitchell I Siegel
(74) *Attorney, Agent, or Firm*—Maxey Law Offices, PLLC;
Stephen Lewellyn; Brittany Maxey

(57) **CLAIM**

The ornamental design for a golf putter club head, as shown and described.

DESCRIPTION

FIG. 1 is a front elevation view of the golf putter club head in accordance with my invention;

FIG. 2 is a back elevation view of FIG. 1;

FIG. 3 is a top plan view of FIG. 1;

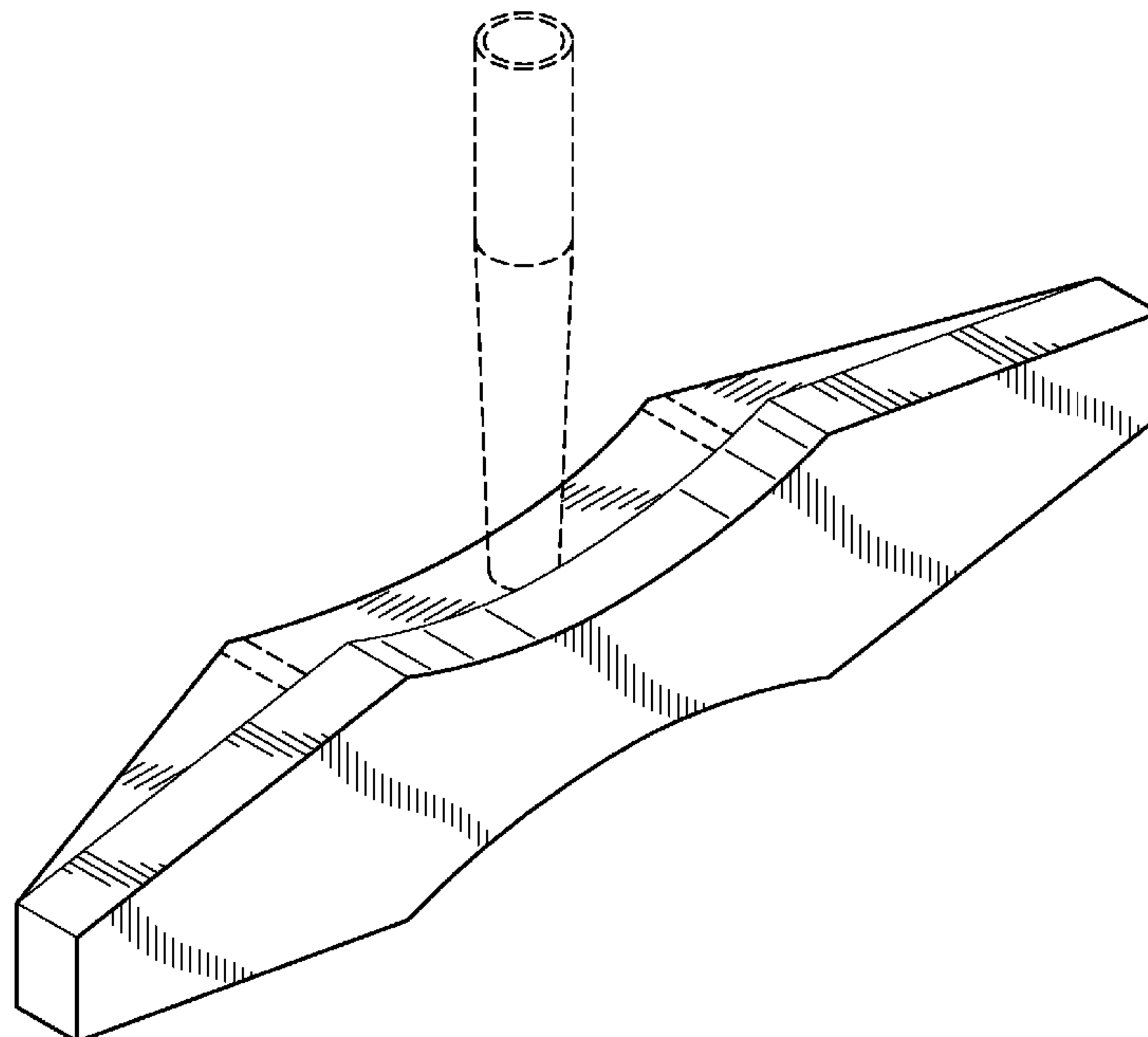
FIG. 4 is a bottom plan view of FIG. 1;

FIG. 5 is a first side elevation view of FIG. 1, wherein the second side elevation view being a mirror image thereof; and,

FIG. 6 is a perspective view of the golf putter club head of FIG. 1.

The broken line showing is included for the purpose of illustrating and forms no part of the claimed design.

1 Claim, 3 Drawing Sheets



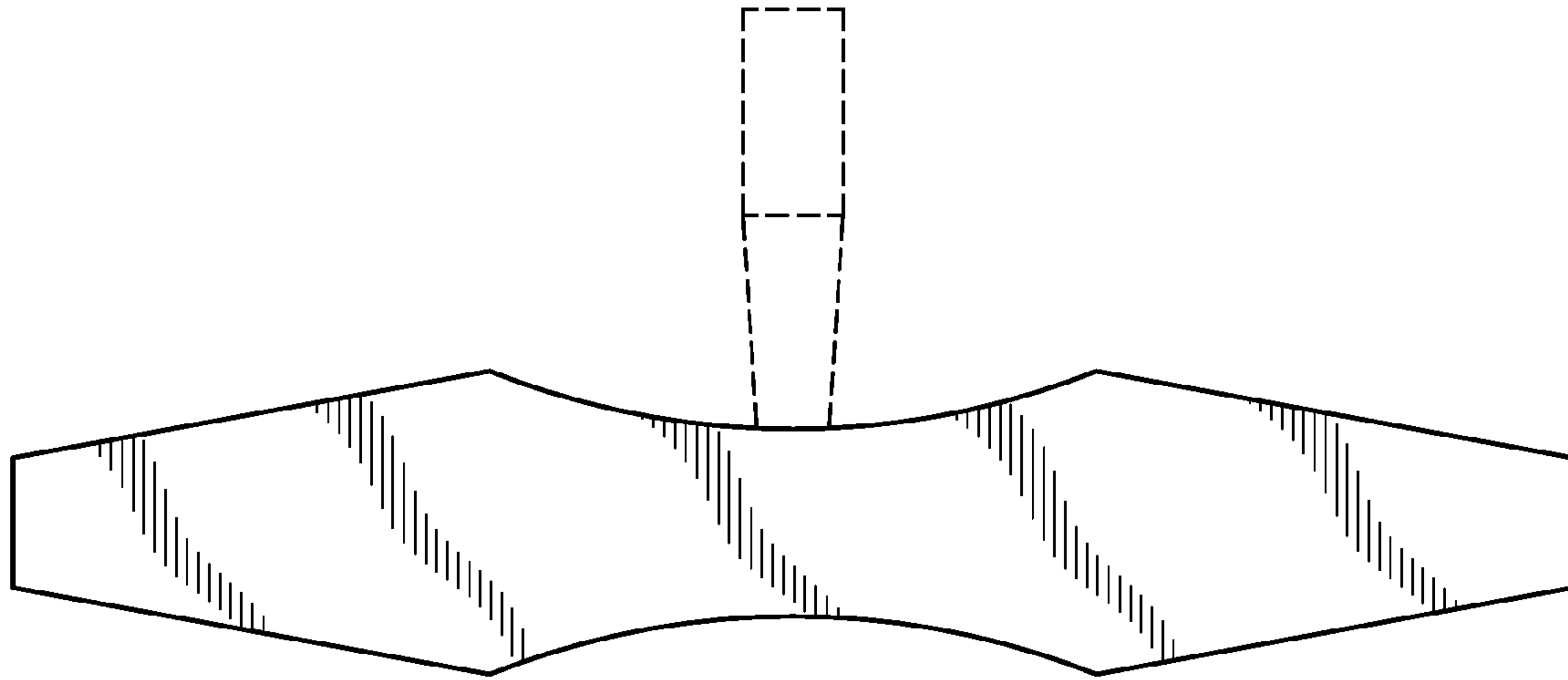


FIG. 1

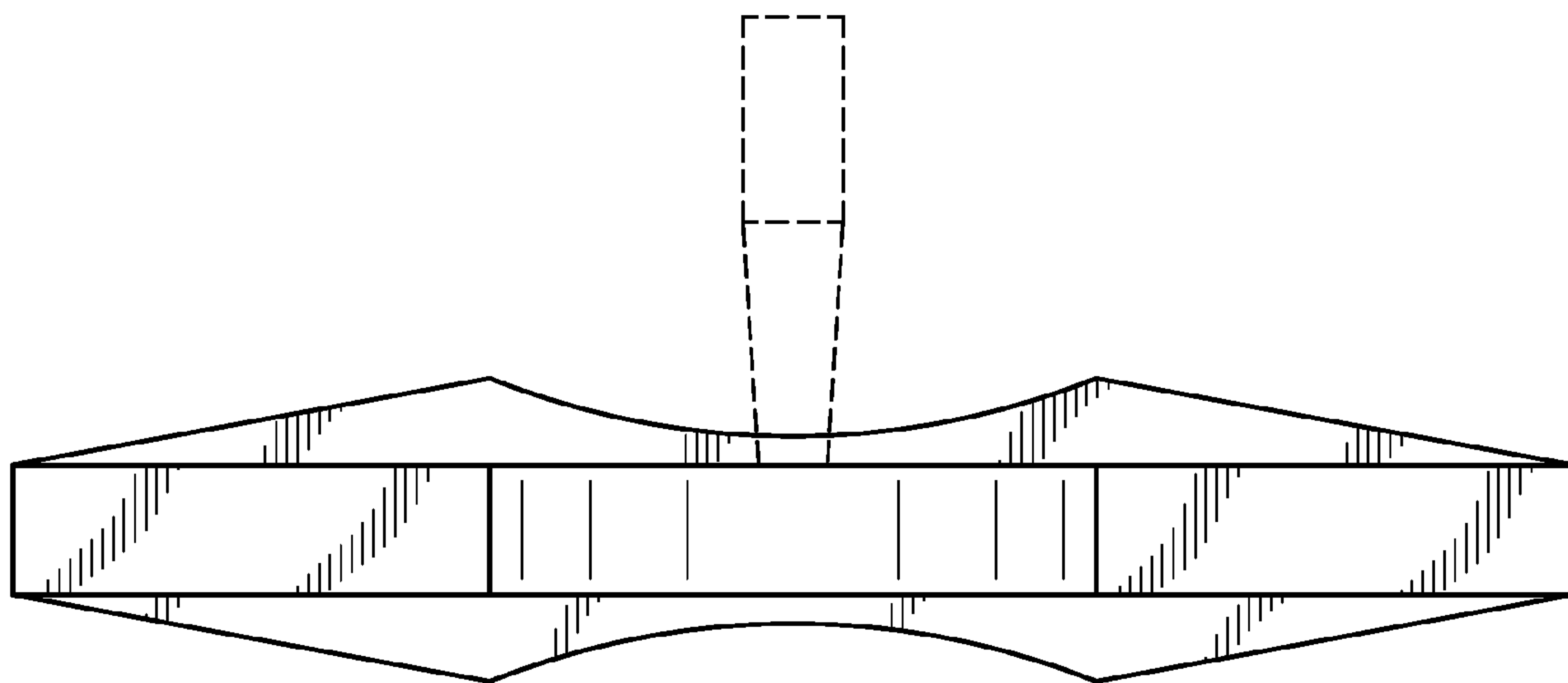


FIG. 2

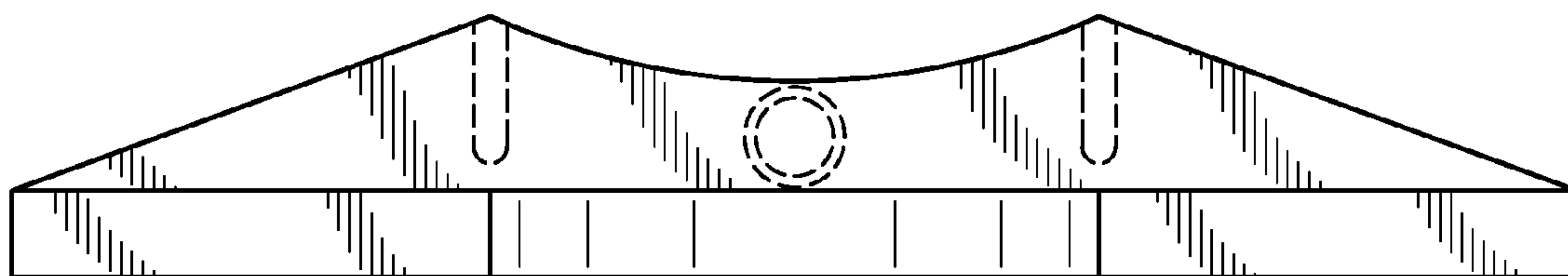


FIG. 3

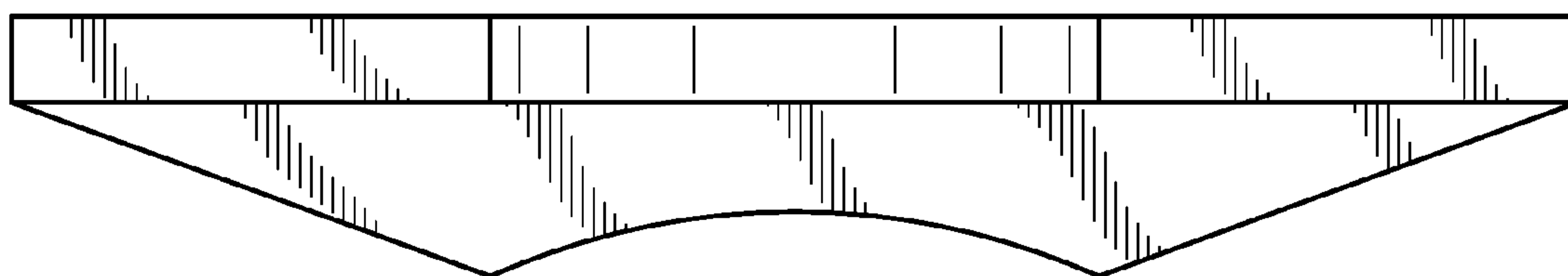


FIG. 4

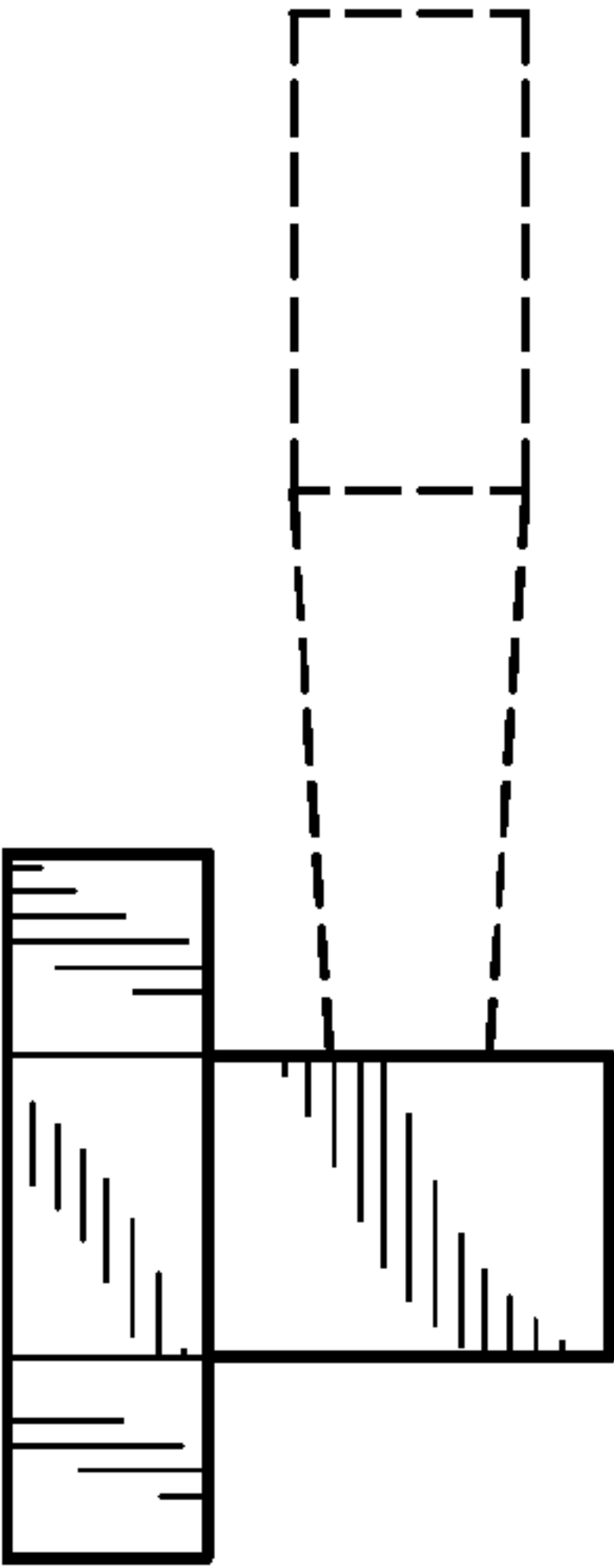


FIG. 5

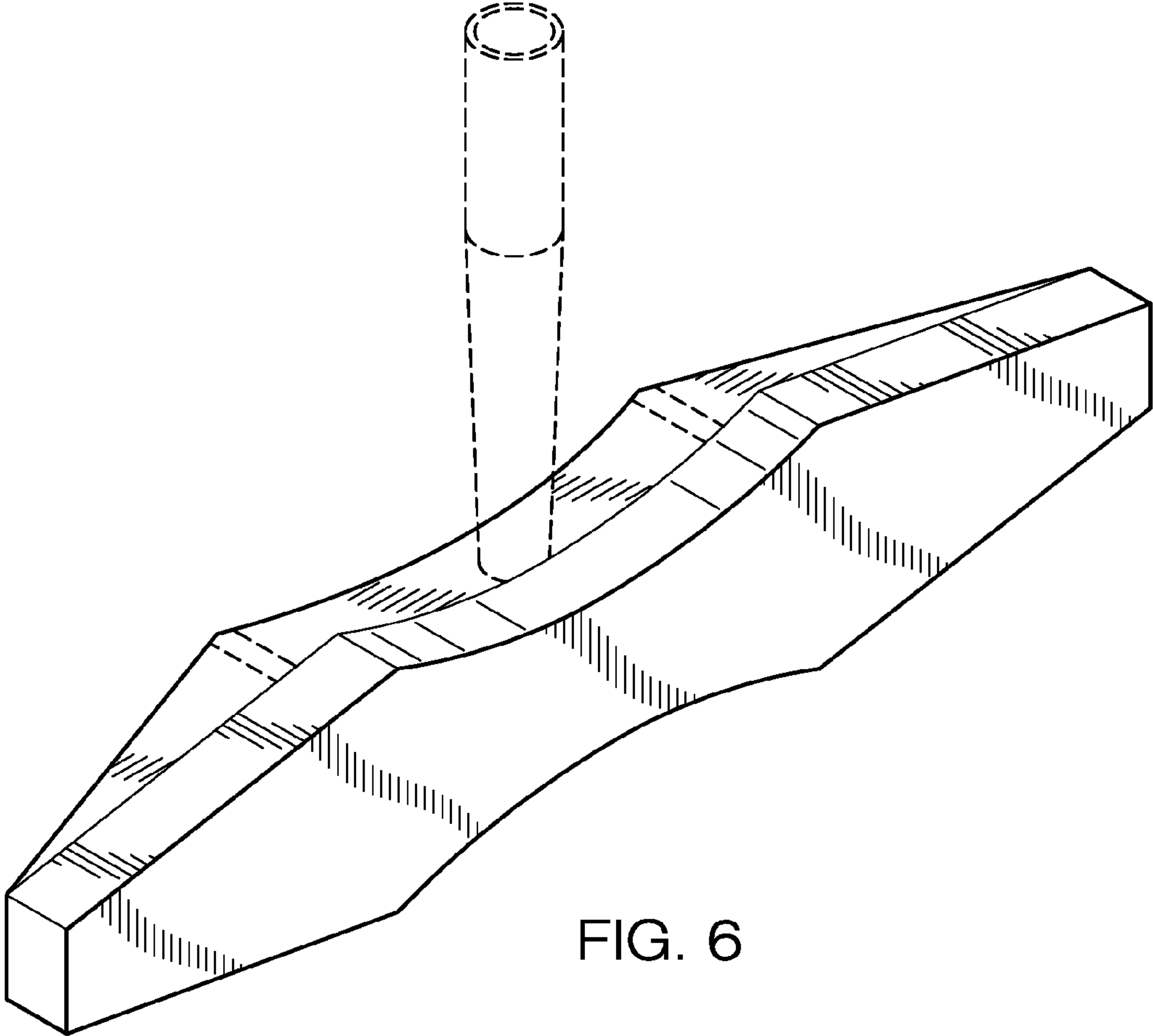


FIG. 6