



US00D618738S

(12) **United States Design Patent**
Bodin et al.

(10) **Patent No.:** **US D618,738 S**
(45) **Date of Patent:** **** Jun. 29, 2010**

(54) **CONSTRUCTION SET GAME PIECE**

(75) Inventors: **Cynthia Bodin**, Vejle (DK); **Cephas Edgar Howard**, Billund (DK)

(73) Assignee: **Lego A/S**, Billund (DK)

(**) Term: **14 Years**

(21) Appl. No.: **29/314,890**

(22) Filed: **May 7, 2009**

(30) **Foreign Application Priority Data**

Nov. 21, 2008 (EM) 001043426

(51) **LOC (9) Cl.** **21-01**

(52) **U.S. Cl.** **D21/505**

(58) **Field of Classification Search** D21/484–505,
D21/396, 803; D25/113–118; 273/153,
273/156; 446/69, 85, 102–128; 434/211,
434/403; D8/349, 354; 116/63 C; D11/131
See application file for complete search history.

(56) **References Cited**

U.S. PATENT DOCUMENTS

3,659,360	A *	5/1972	Zeischegg	446/85
3,782,029	A *	1/1974	Bardot	446/121
4,026,087	A *	5/1977	White	52/608
4,317,654	A *	3/1982	Wahl	446/124
4,461,480	A *	7/1984	Mitchell	446/102
D281,262	S *	11/1985	Volpe et al.	D21/505
4,848,263	A *	7/1989	Grimm	116/63 C
D315,186	S *	3/1991	Peterson	D21/803
D315,773	S *	3/1991	Peterson	D21/803
D316,430	S *	4/1991	Andersen	D21/505
D352,077	S *	11/1994	Sher	D21/505
D423,342	S *	4/2000	Popesco	D21/505

D445,721	S *	7/2001	McLeish et al.	D11/131.1
D574,440	S *	8/2008	Goodrich	D21/396
D581,251	S *	11/2008	Bucci	D8/354
D581,254	S *	11/2008	Bucci	D8/354
2005/0014112	A1 *	1/2005	Fentress	434/211

* cited by examiner

Primary Examiner—Cynthia M Chin

(74) *Attorney, Agent, or Firm*—Day Pitney LLP

(57) **CLAIM**

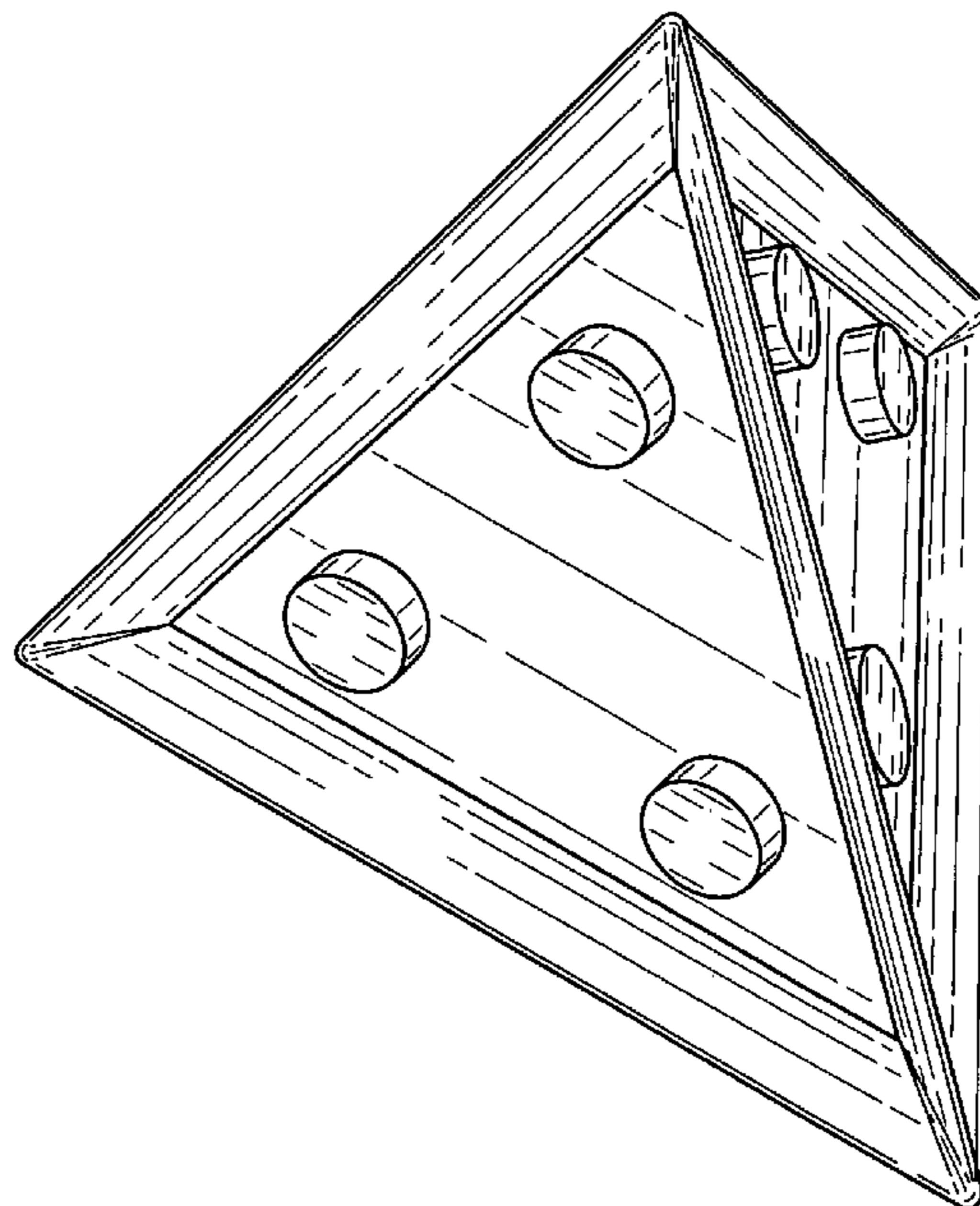
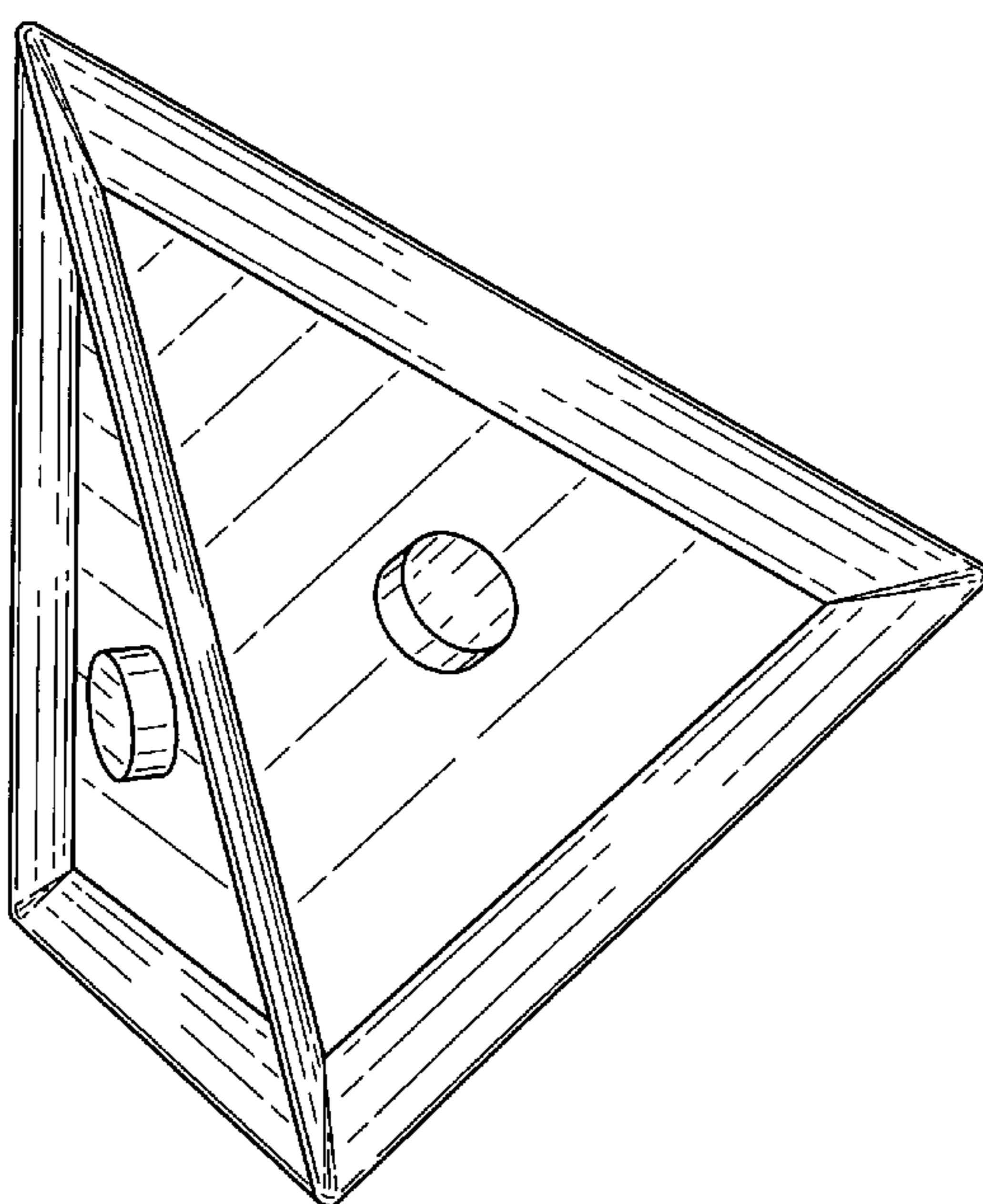
The ornamental design for a construction set game piece, as shown and described.

DESCRIPTION

FIG. 1 is a top plan view of our construction set game piece; FIG. 2 is a front perspective view thereof; FIG. 3 is a rear view thereof; FIG. 4 is an elevational view of the right side face thereof; FIG. 5 is an elevational view of the left side face thereof; FIG. 6 is a front view thereof; and, FIG. 7 is a bottom view thereof.

FIG. 8 is a view similar to FIG. 1 of an alternative embodiment of our construction set game piece; FIG. 9 is a front elevational view thereof; FIG. 10 is a rear elevational view thereof; FIG. 11 is an elevational view of the right side face thereof; FIG. 12 is an elevational view of the left side face thereof; FIG. 13 is a top side perspective view thereof; and, FIG. 14 is a bottom view thereof.

1 Claim, 14 Drawing Sheets



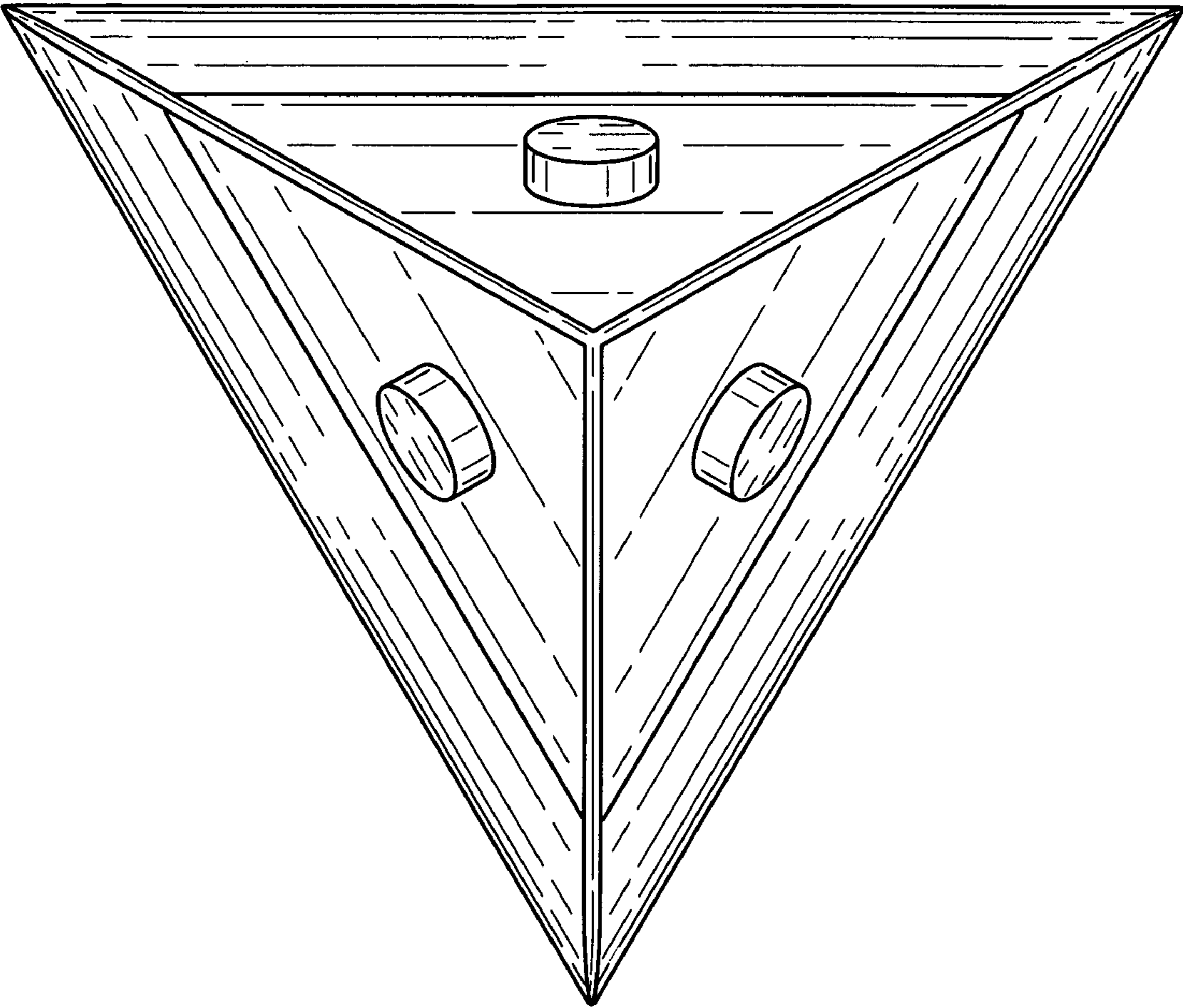


FIG. 1

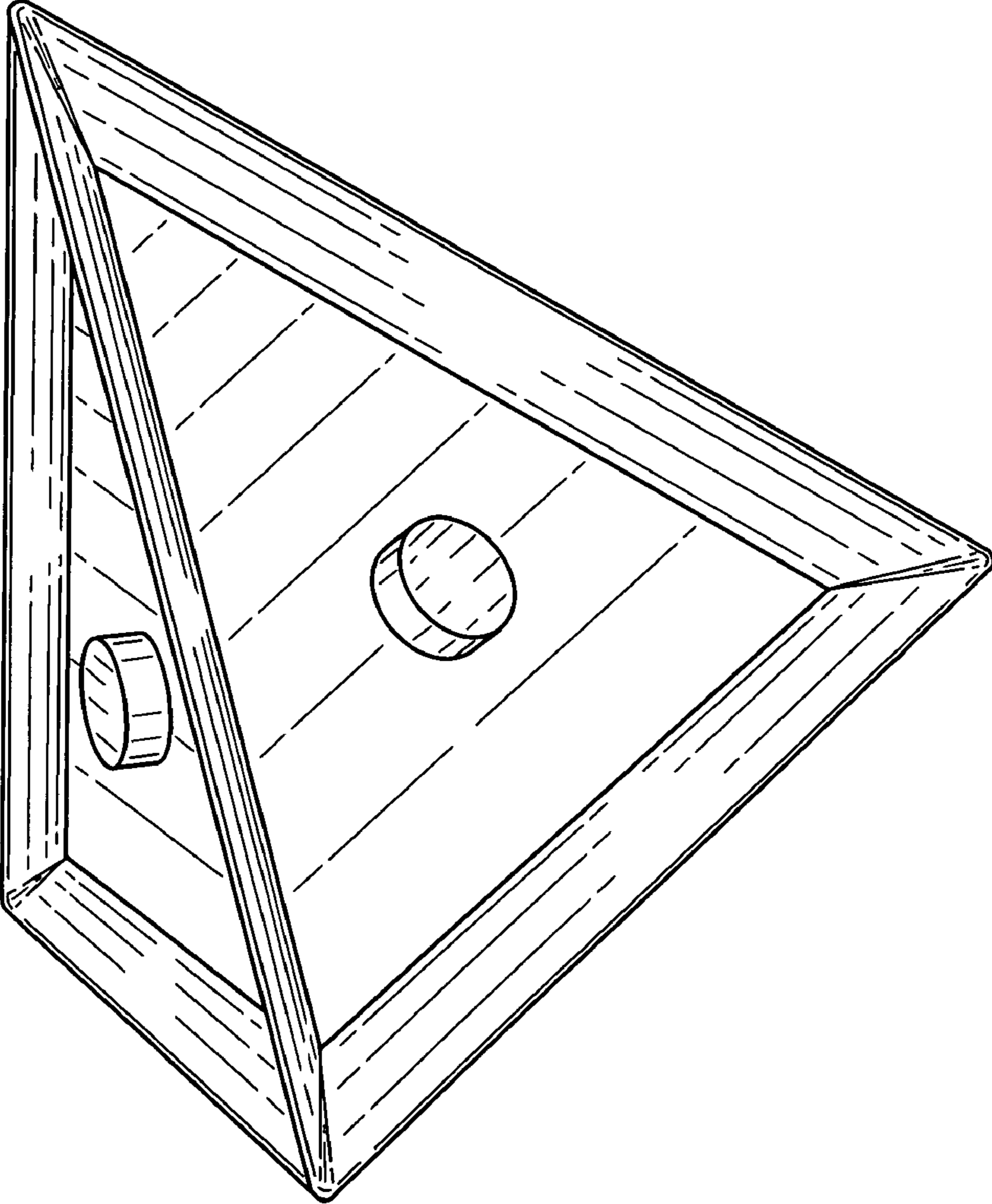


FIG. 2

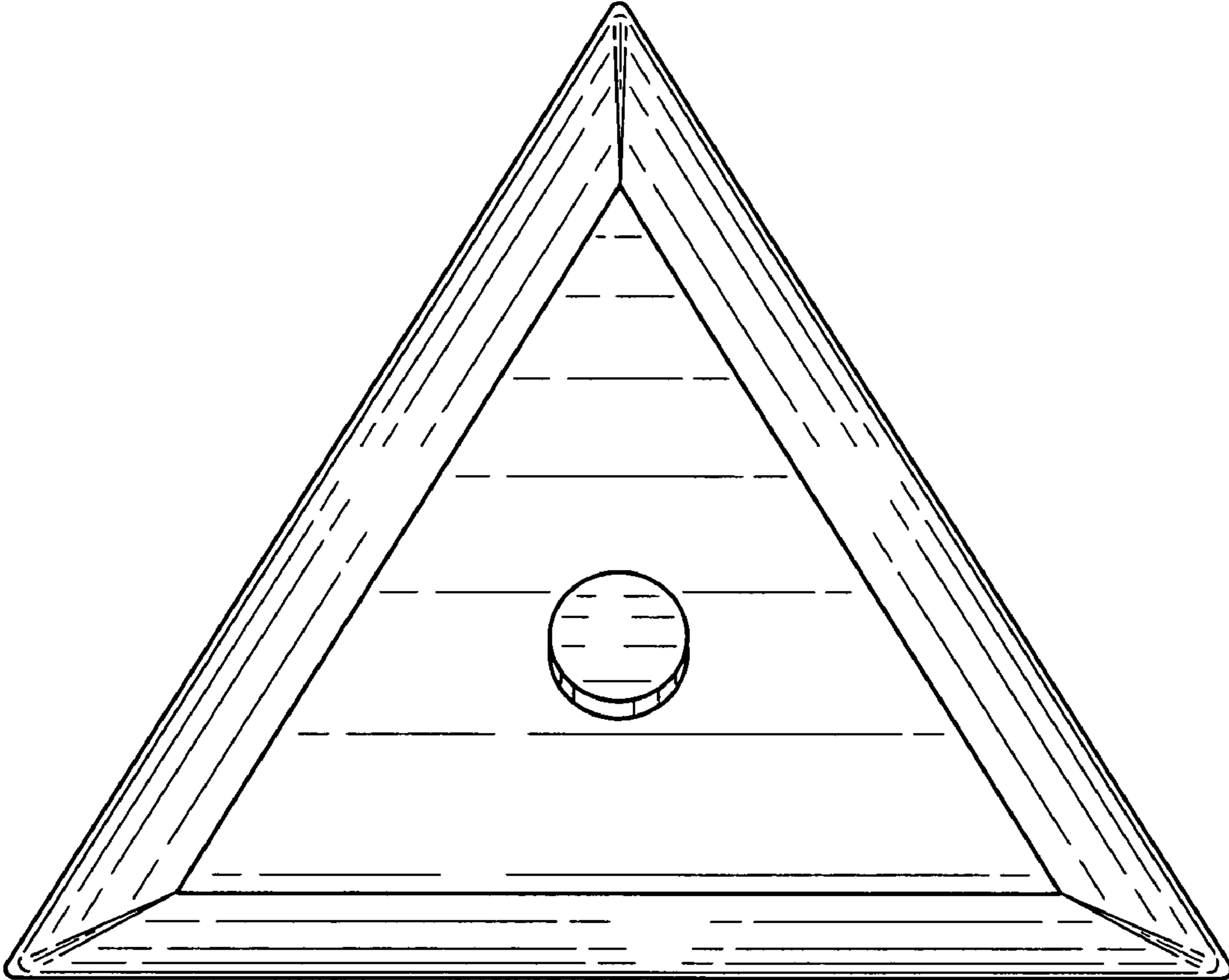


FIG. 3

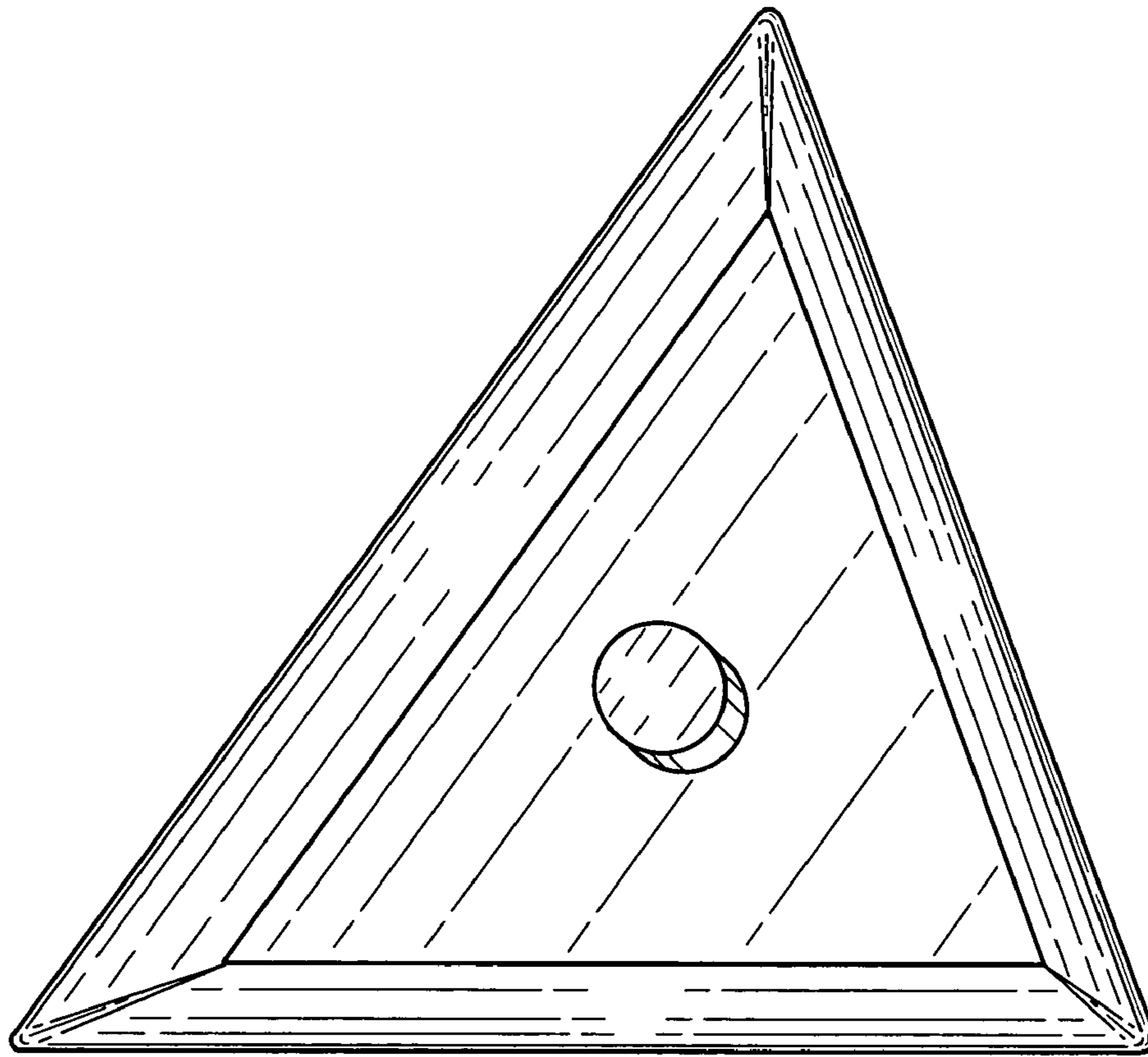


FIG. 4

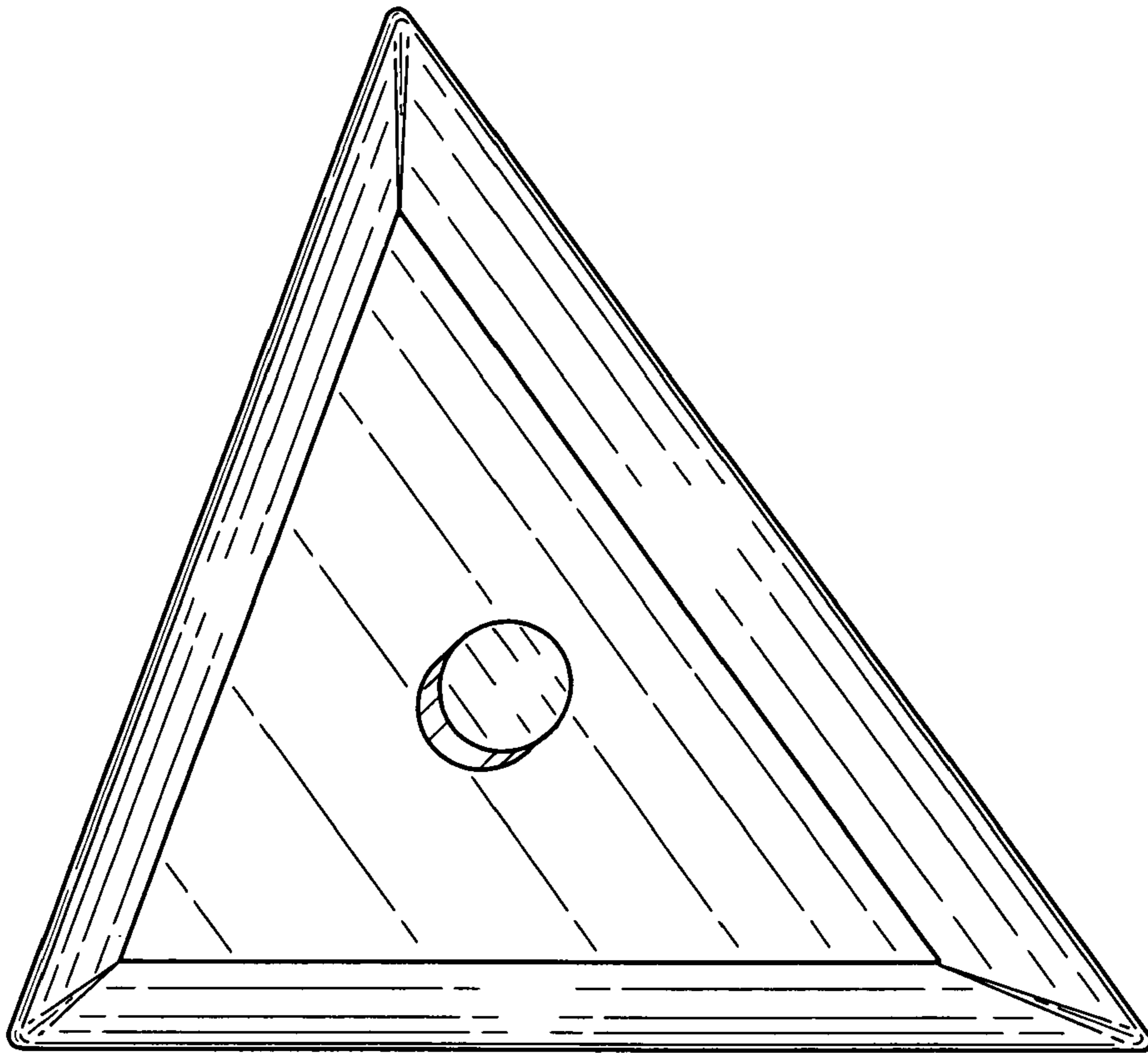


FIG. 5

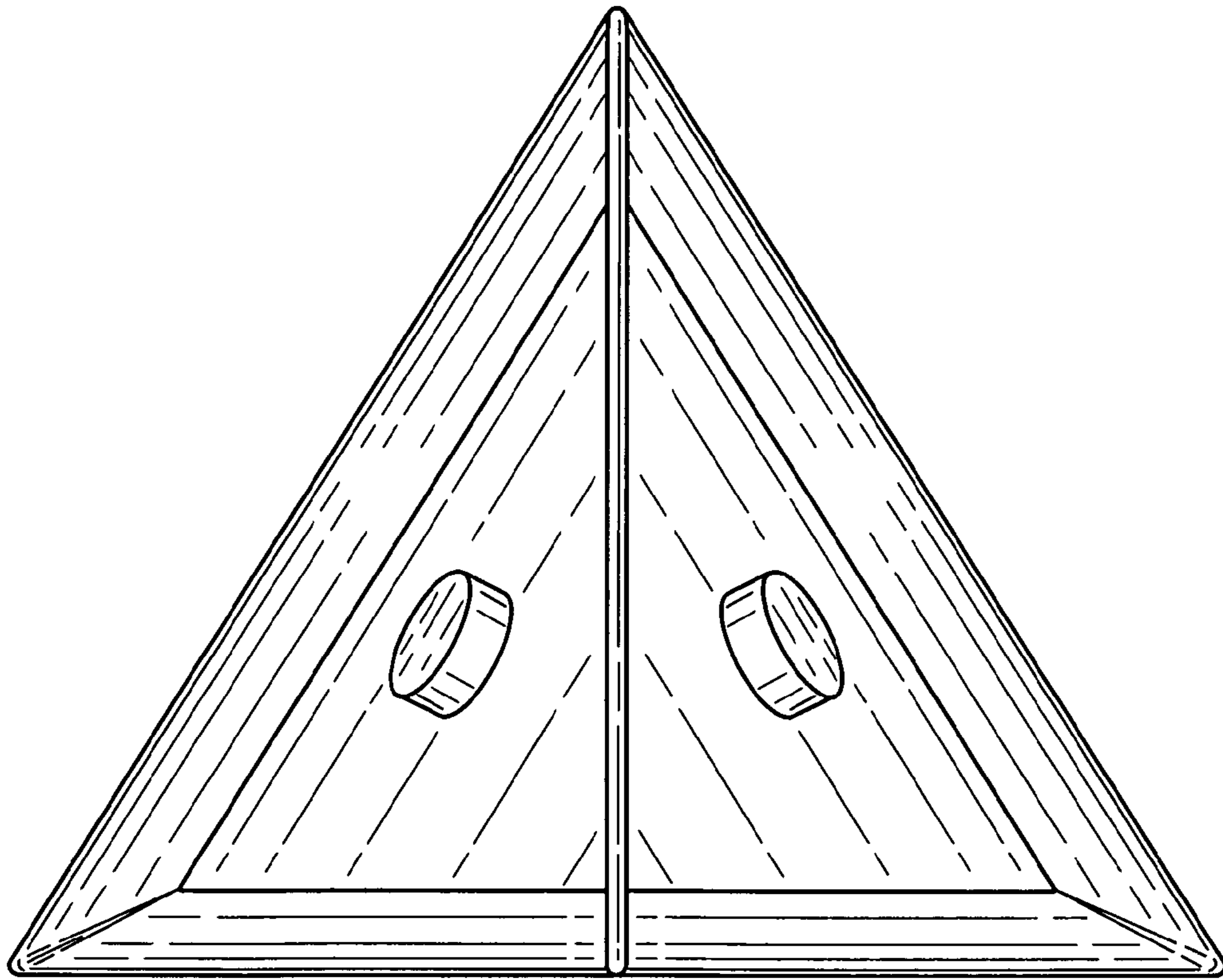


FIG. 6

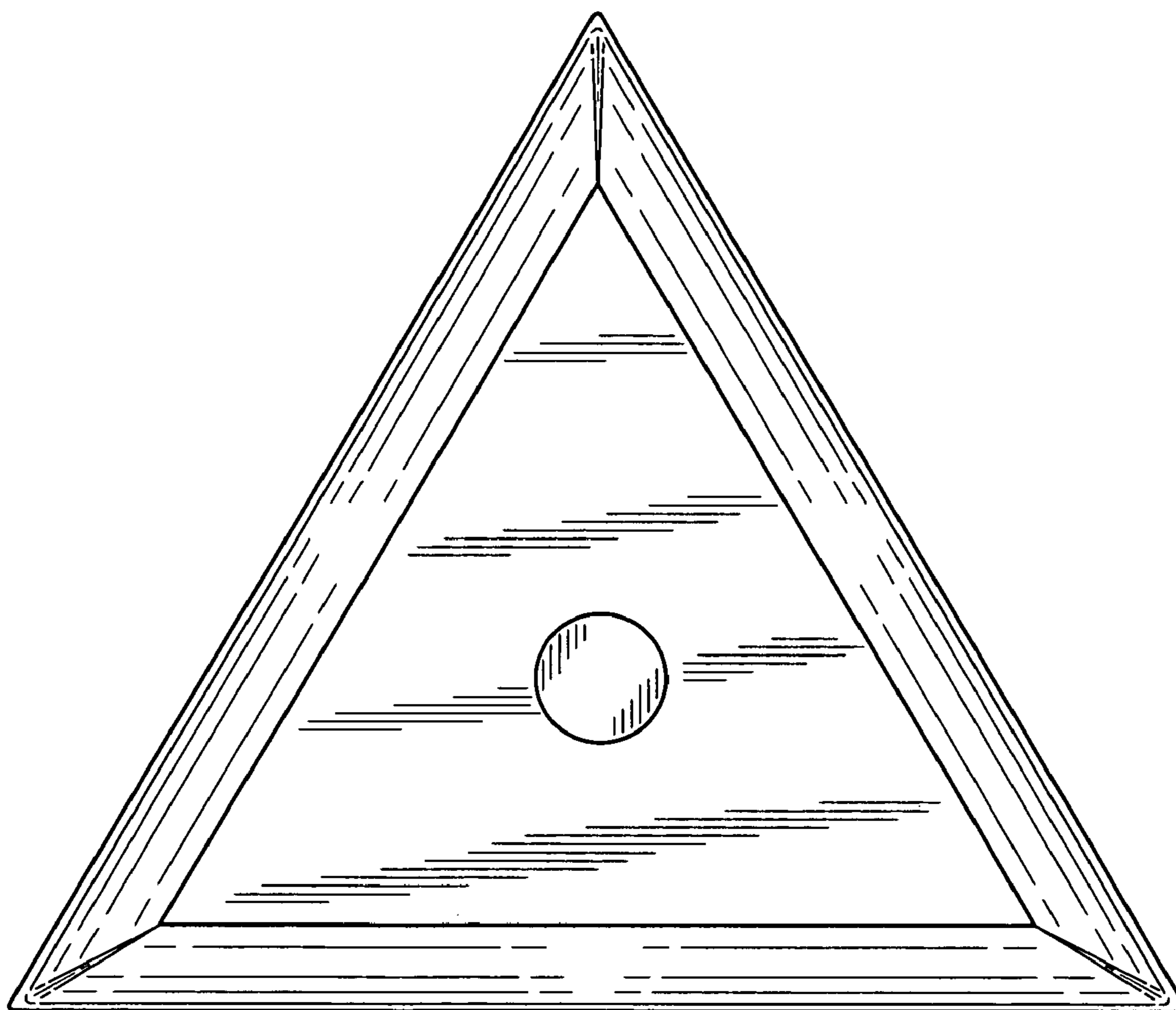


FIG. 7

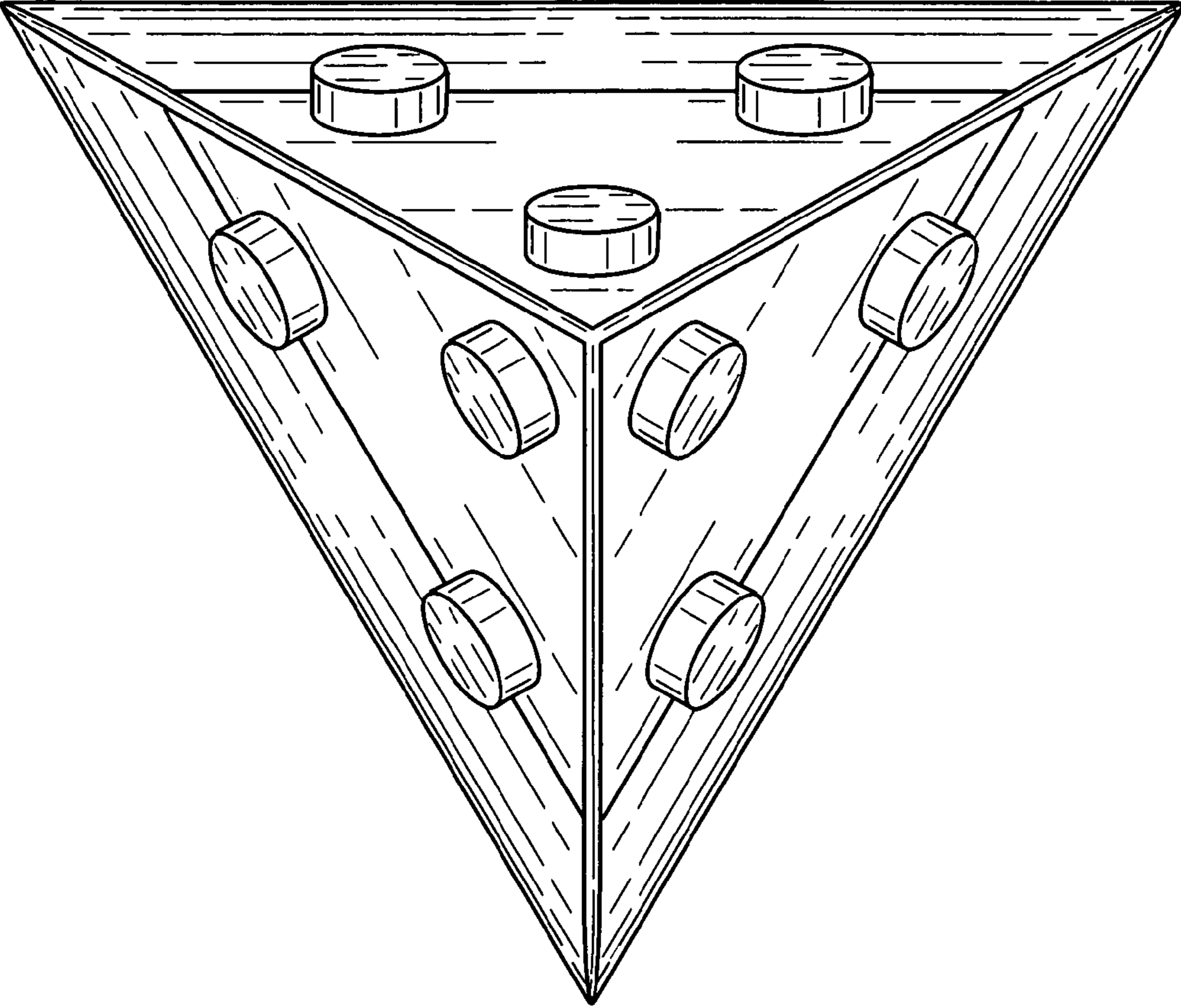


FIG. 8

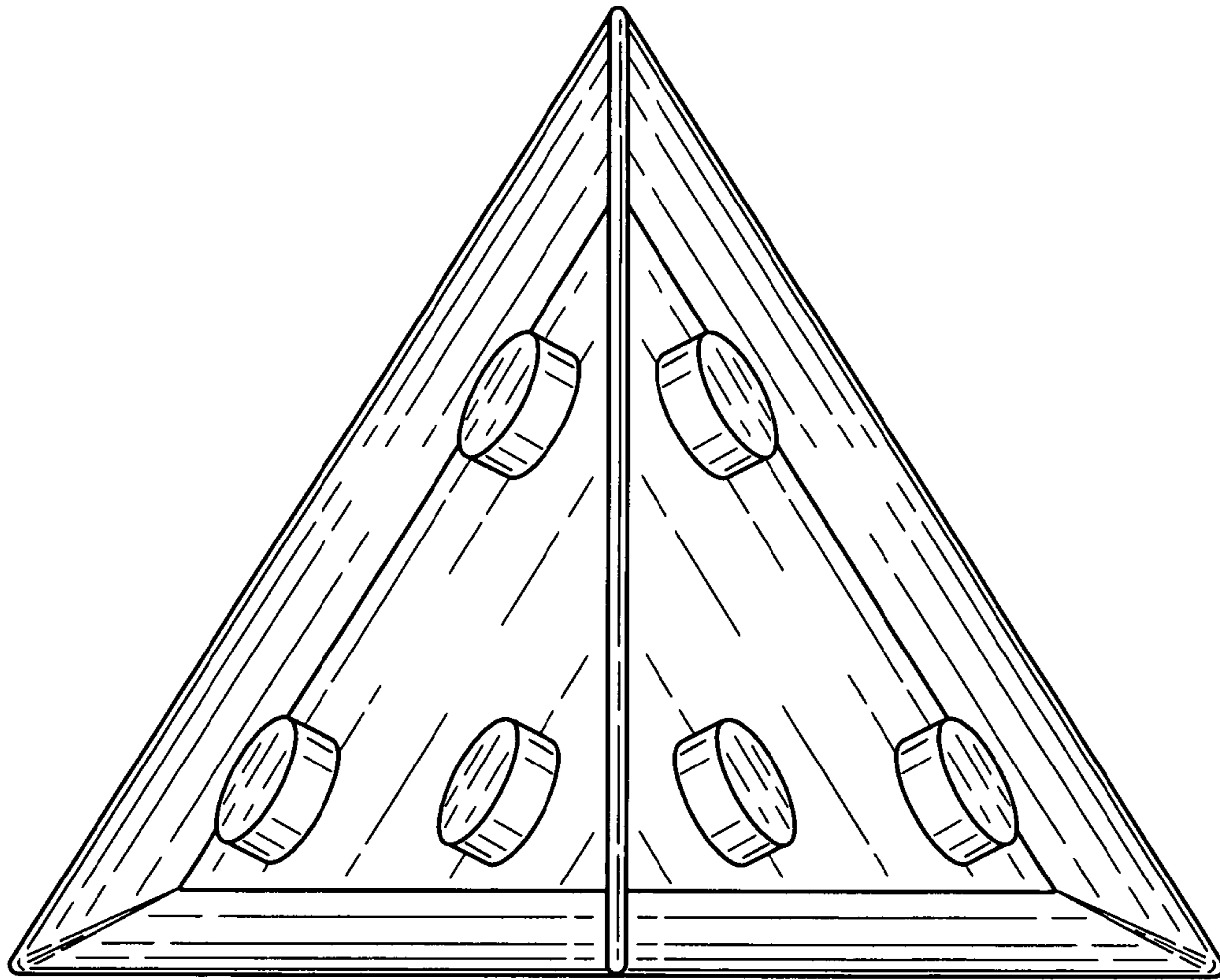


FIG. 9

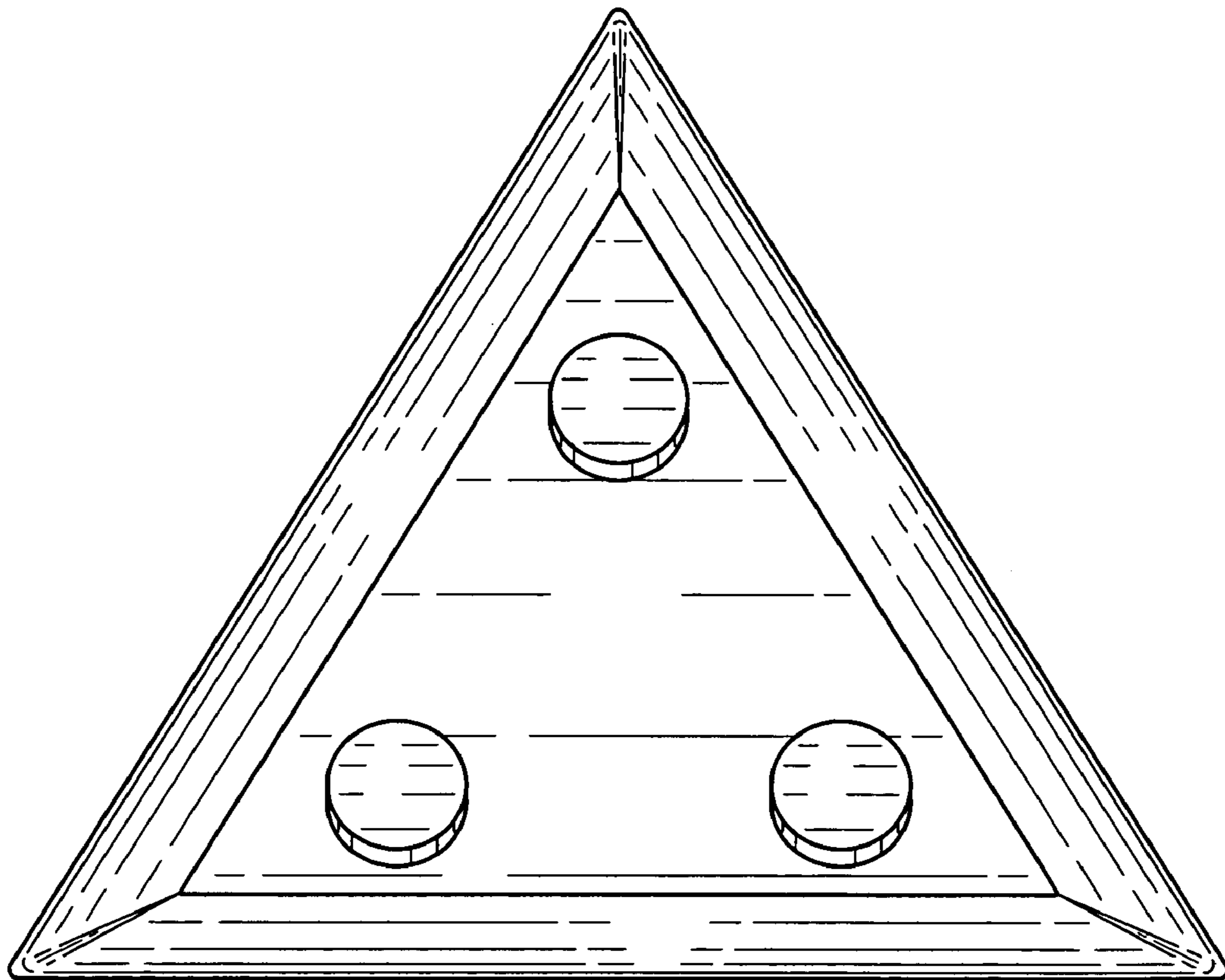


FIG. 10

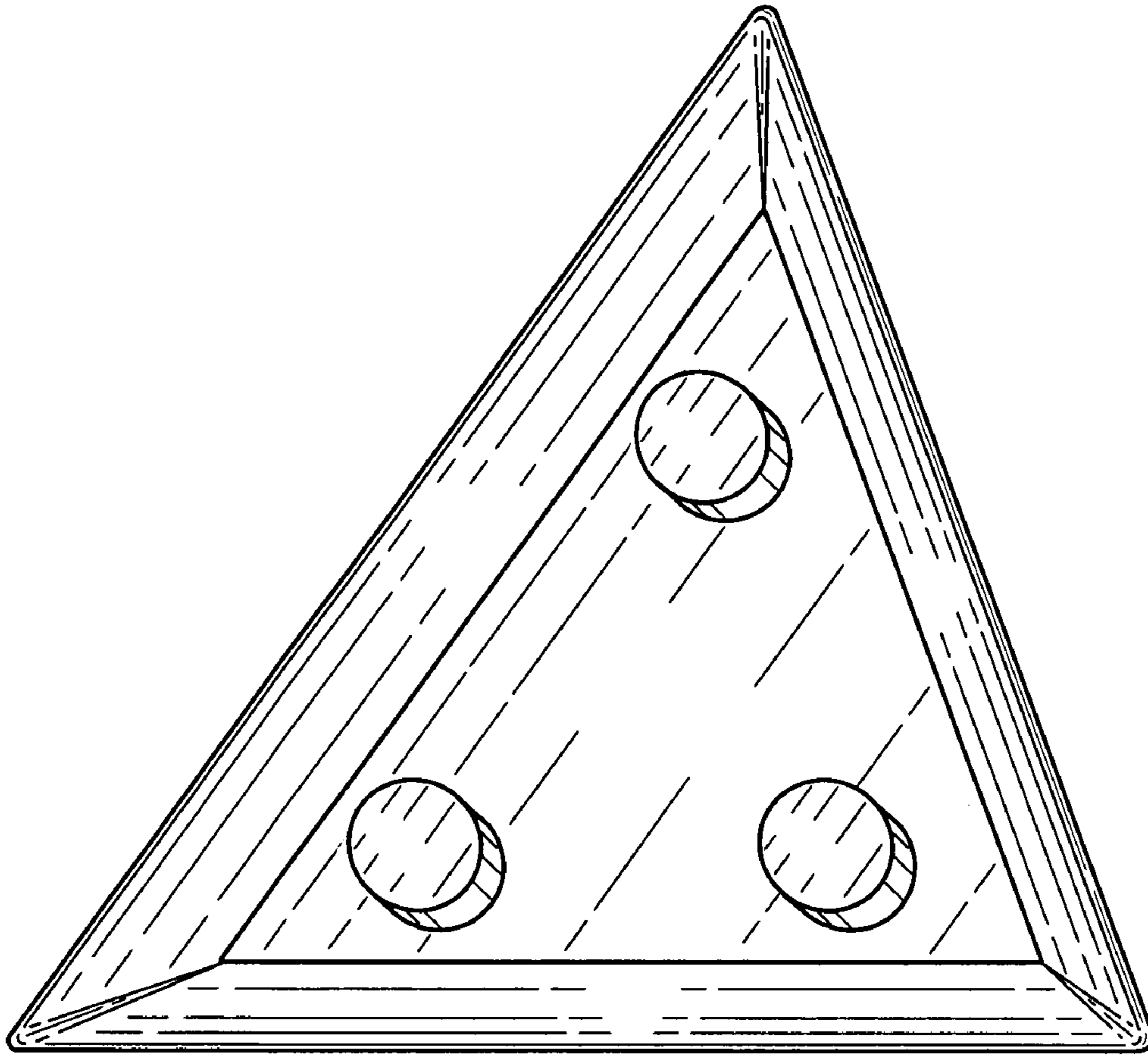


FIG. 11

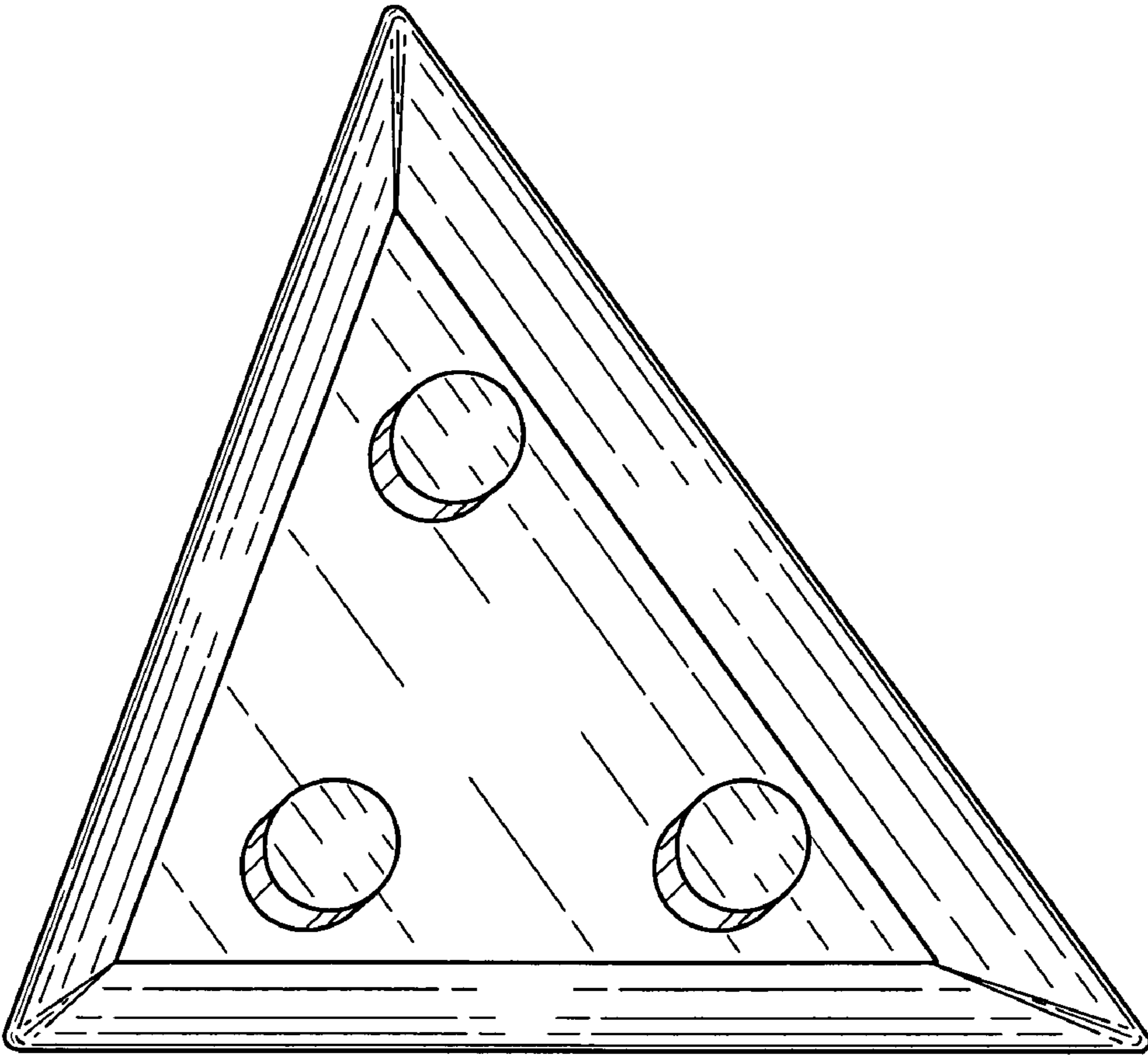


FIG. 12

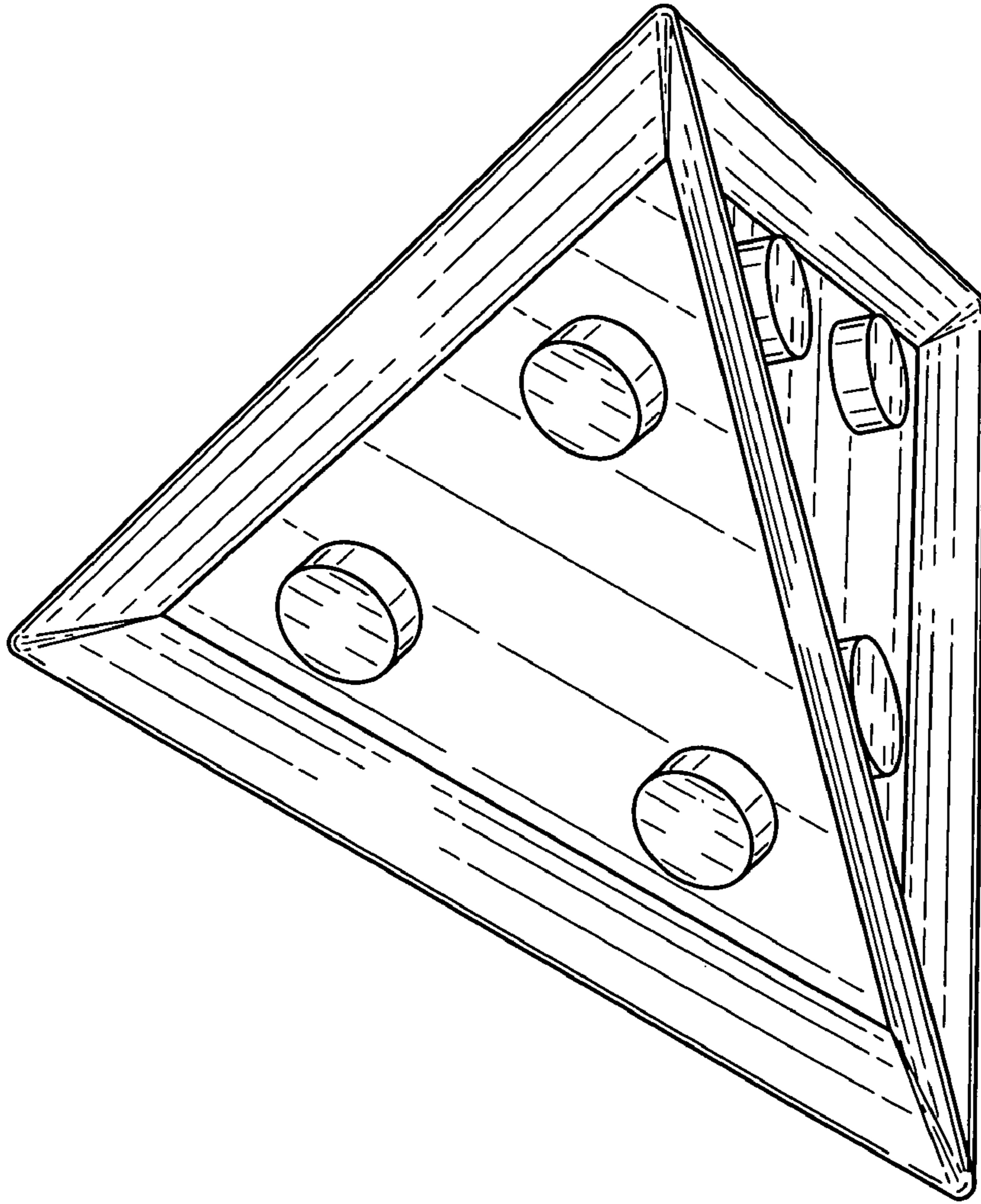


FIG. 13

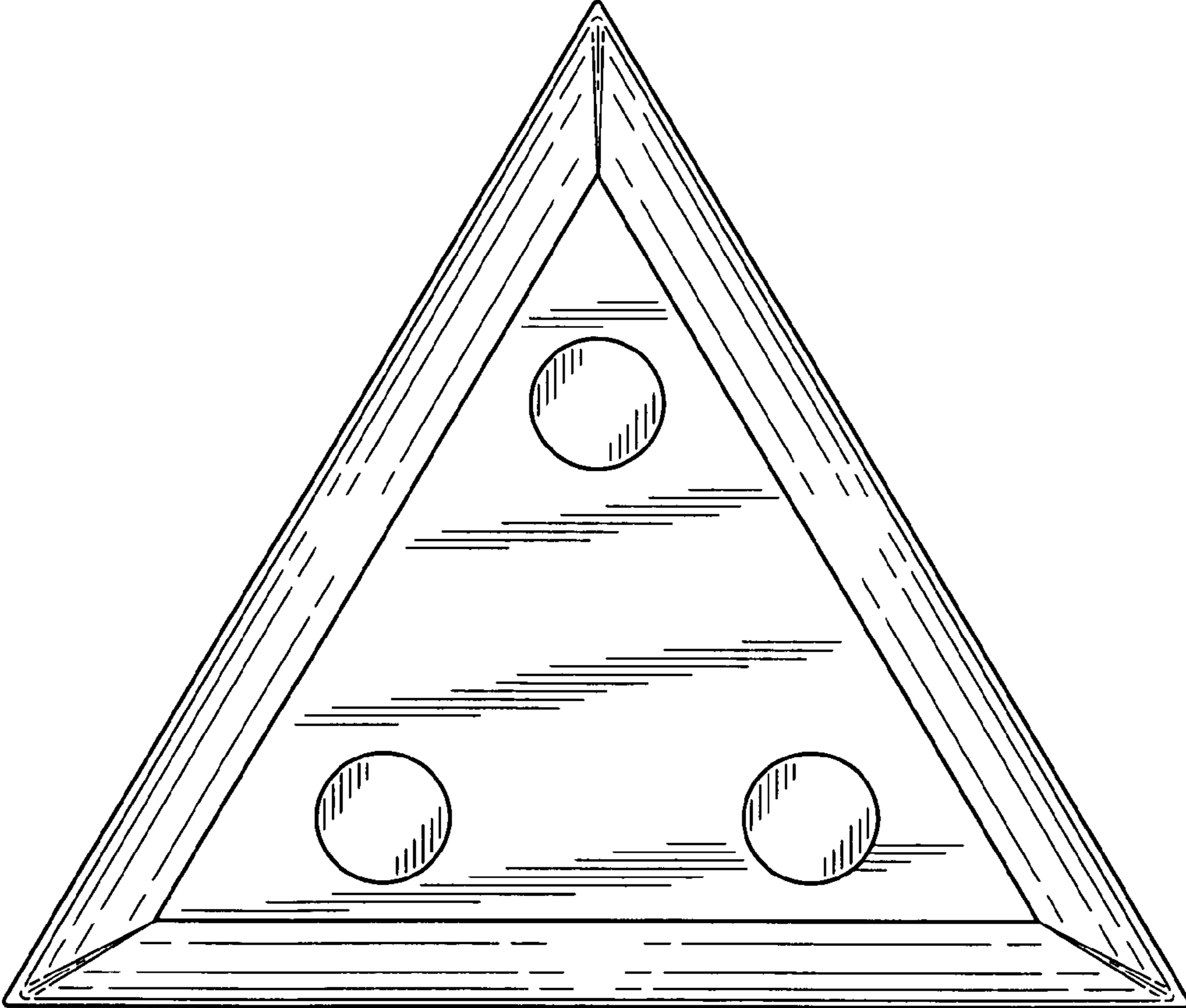


FIG. 14